



**Anthony J. Pansini**

**Electrical  
Distribution  
Engineering**

**Third Edition**

**Electrical Distribution  
Engineering**

*3rd Edition*

*This page intentionally left blank*

# Electrical Distribution Engineering

*3rd Edition*

by **Anthony J. Pansini, E.E., P.E.**

*Life Fellow IEEE — Sr. Member ASTM*



THE FAIRMONT PRESS, INC.



CRC Press  
Taylor & Francis Group

Library of Congress Cataloging-in-Publication Data

Pansini, Anthony J.

Electrical distribution engineering / by Anthony J. Pansini. -- 3rd ed.  
p. cm.

Includes index.

ISBN 0-88173-546-9 (print) -- ISBN 0-88173-547-7 (electronic)

1. Electric power distribution. I. Title.

TH3001.P28 2006

621.319--dc22

2006049929

*Electrical distribution engineering / by Anthony J. Pansini*

©2007 by The Fairmont Press, Inc. All rights reserved. No part of this publication may be reproduced or transmitted in any form or by any means, electronic or mechanical, including photocopy, recording, or any information storage and retrieval system, without permission in writing from the publisher.

Published by The Fairmont Press, Inc.

700 Indian Trail

Lilburn, GA 30047

tel: 770-925-9388; fax: 770-381-9865

<http://www.fairmontpress.com>

Distributed by Taylor & Francis Ltd.

6000 Broken Sound Parkway NW, Suite 300

Boca Raton, FL 33487, USA

E-mail: [orders@crcpress.com](mailto:orders@crcpress.com)

Distributed by Taylor & Francis Ltd.

23-25 Blades Court

Deodar Road

London SW15 2NU, UK

E-mail: [uk.tandf@thomsonpublishingservices.co.uk](mailto:uk.tandf@thomsonpublishingservices.co.uk)

Printed in the United States of America

10 9 8 7 6 5 4 3 2 1

0-88173-546-9 (The Fairmont Press, Inc.)

0-8493-8249-1 (Taylor & Francis Ltd.)

While every effort is made to provide dependable information, the publisher, authors, and editors cannot be held responsible for any errors or omissions.

# Contents

<b>Preface</b> .....	xi
<b>History and Development</b> .....	xiii
<b>PART ONE THE DISTRIBUTION SYSTEM</b> .....	1
<b>1 The Distribution System: Description</b> .....	3
<b>2 Distribution System Considerations</b> .....	9
<i>Desired Features</i> .....	9
<i>Types of Electric Systems</i> .....	10
<i>Types of Delivery Systems</i> .....	21
<i>Overhead versus Underground</i> .....	32
<b>PART TWO PLANNING AND DESIGN</b> .....	35
<b>3 Load Characteristics</b> .....	37
<i>Connected Loads</i> .....	37
<i>Consumer Factors</i> .....	43
<i>Consumer Classification</i> .....	46
<i>Fluctuation in Demand</i> .....	47
<i>Future Requirements</i> .....	48
<i>Voltage Requirements</i> .....	49
<i>Service Reliability</i> .....	50
<b>4 Electrical Design</b> .....	53
<i>Services</i> .....	53
<i>The Secondary System</i> .....	54
<i>The Primary System</i> .....	63
<i>Voltage Regulators</i> .....	73
<i>Taps</i> .....	76
<i>Boosters</i> .....	76
<i>Capacitors</i> .....	77
<i>Reactors</i> .....	80
<i>Transformers</i> .....	81
<i>Substations</i> .....	94
<i>Protective Devices</i> .....	100
<i>Fault-Current Calculation</i> .....	119

	<i>Street Lighting</i> .....	129
	<i>Practical Basis of Design</i> .....	133
<b>5</b>	<b>Mechanical Design: Overhead</b> .....	145
	<i>Criteria</i> .....	145
	<i>Poles</i> .....	146
	<i>Cross Arms</i> .....	157
	<i>Pins</i> .....	163
	<i>Secondary Racks</i> .....	166
	<i>Insulators</i> .....	167
	<i>Guys and Anchors</i> .....	170
	<i>Conductors</i> .....	178
	<i>Grades of Construction</i> .....	184
	<i>Clearances</i> .....	185
	<i>Joint Construction</i> .....	188
	<i>Practical Design Methods</i> .....	190
	<b>Appendix 5 A Practical Method of Calculating</b>	
	<b>Pole and Guy Sizes</b> .....	203
	<i>Introduction</i> .....	203
	<i>Pole Class Requirements</i> .....	204
	<i>Guying Requirements</i> .....	213
	<b>Appendix 5B Examples</b> .....	221
	<b>Appendix 5C Concrete and Metal Poles</b> .....	224
	<i>Introduction</i> .....	224
	<i>Construction</i> .....	225
	<i>Installation</i> .....	226
	<i>Design</i> .....	226
<b>6</b>	<b>Mechanical Design: Underground</b> .....	229
	<i>High-Density Loads: City and Downtown Areas</i> .....	229
	<i>Practical Manhole Design Procedure</i> .....	242
	<i>Design Loading</i> .....	242
	<i>Design Stress Bases</i> .....	245
	<i>Wall Design</i> .....	246
	<i>Roof Design</i> .....	250
	<i>Floor Design</i> .....	252
	<i>Reinforcing Specifications</i> .....	253
	<i>Gratings</i> .....	253
	<i>Construction Practices</i> .....	254

	<i>Reinforced Concrete Design</i> .....	255
	<i>Sample Design Problem</i> .....	259
	<i>Underground Residential Distribution (URD)</i> .....	268
	<i>Design of Direct-buried Electrical Distribution Systems</i> .....	275
	<b>Appendix 6A Technical Reference Data</b> .....	285
	<i>Use of Load-Estimating Curves for</i> <i>Residential Loads Including Space Heating</i> .....	285
	<i>Use of the URD-Loop Primary</i> <i>Conductor Size-Selector Chart</i> .....	288
<b>7</b>	<b>Distribution Substations</b> .....	291
	<i>Site Selection</i> .....	291
	<i>General Design Features</i> .....	292
	<i>Substation Construction</i> .....	297
	<i>One-Line Diagrams of Connections</i> .....	299
<b>8</b>	<b>Metering</b> .....	301
	<i>Scope</i> .....	301
	<i>Operation-Monitoring Meters</i> .....	301
	<i>Revenue Metering</i> .....	303
	<i>Wiring Diagrams</i> .....	307
	<i>Electronic Metering</i> .....	307
	<i>Transducers</i> .....	309
<b>PART THREE MATERIALS AND EQUIPMENT</b> .....		311
<b>9</b>	<b>Conductors</b> .....	313
	<i>Introduction</i> .....	313
	<i>Materials</i> .....	313
	<i>Cables</i> .....	321
	<i>Secondary Mains</i> .....	322
	<i>Service Conductors</i> .....	323
	<i>Connections</i> .....	323
	<i>Overhead-to-underground Connection</i> .....	326
	<i>Ties</i> .....	326
	<i>Electrical Characteristics</i> .....	328
<b>10</b>	<b>Poles, Cross Arms, Pins, Racks, and Insulators</b> .....	331
	<i>Wood Poles</i> .....	331
	<i>Concrete and Metal Poles</i> .....	337



Concrete Poles.....	337
Metal Poles .....	338
Cross Arms .....	339
Pins .....	340
Racks .....	342
Insulators .....	343
Test Voltages .....	358
<b>Appendix 10A Concrete Distribution Poles:</b>	
<b>Representative Specifications</b> .....	359
Scope .....	359
Shape .....	359
Dimensions and Strength .....	360
Colors and Finishes .....	360
Materials.....	363
General Requirements .....	364
Manufacture .....	369
<b>11 Transformers, Cutouts, and Surge Arresters</b> .....	373
Transformers .....	373
Distribution Transformers.....	375
Fuse Cutouts.....	382
Surge Arresters.....	386
<b>12 Regulators, Capacitors, Switches, and Reclosers</b> .....	389
Voltage Regulators.....	389
Capacitors.....	392
Switches .....	395
Circuit Breakers .....	396
Reclosers.....	398
<b>13 Distribution Substation Equipment</b> .....	399
Equipment.....	399
Transformers .....	399
Circuit Breakers and Protective Relaying.....	403
Fuses.....	404
Disconnect and Air-Break Switches .....	405
Surge or Lightning Arresters.....	406
Voltage Regulators.....	407
Storage Batteries .....	408

<i>Measuring Instruments</i> .....	408
<i>Capacitors and Street Lighting Equipment</i> .....	409
<i>Buses and Bus Supports</i> .....	410
<i>All Substation Equipment</i> .....	410
<b>PART FOUR U.S. ENERGY POLICY ACT OF 2005</b> .....	411
<b>14 U.S. Energy Policy Act of 2005</b> .....	413
<i>Preface</i> .....	413
<i>Wind Power</i> .....	413
<i>Solar Power</i> .....	416
<i>Other “Green” Fuels</i> .....	418
<i>Conservation</i> .....	419
<i>Storage</i> .....	419
<i>The Primary Circuit</i> .....	419
<b>PART FIVE OTHER DESIGN CONSIDERATIONS</b> .....	421
<b>15 Nontechnical Considerations</b> .....	423
<i>Introduction</i> .....	423
<i>Safety</i> .....	423
<i>Quality of Service</i> .....	426
<i>Economy</i> .....	427
<i>Conclusion</i> .....	429
<b>16 Operating Considerations</b> .....	431
<i>Introduction</i> .....	431
<i>Quality of Service</i> .....	431
<i>Load Shedding</i> .....	432
<i>Cogeneration and Distributed Generation</i> .....	435
<i>Metering</i> .....	439
<i>Remote Meter Reading and Demand Control</i> .....	441
<i>Transformer Load Monitoring</i> .....	441
<i>Power Factor Correction</i> .....	442
<i>Demand Control</i> .....	442
<i>Demand Control (or Peak Suppression)</i> .....	443
<i>Conclusion</i> .....	449
<b>APPENDIXES</b> .....	451
<b>Appendix A Circuit Analysis Methods</b> .....	453
<i>Introduction</i> .....	453

<i>Circuit Transformations</i> .....	454
<i>Superposition Theorem</i> .....	455
<i>Symmetrical Components</i> .....	456
<i>Sequence Filters</i> .....	462
<b>Appendix B Economic Studies</b> .....	475
<i>Introduction</i> .....	475
<i>Annual Charges</i> .....	476
<i>Broad Annual Charge</i> .....	484
<i>Time Value of Money</i> .....	484
<i>Examples</i> .....	485
<i>Procedure for Economic Studies</i> .....	491
<i>Conclusion</i> .....	493
<b>Appendix C The Grid Coordinate System:</b>	
<b>Tying Maps to Computers</b> .....	495
<i>Introduction</i> .....	495
<i>Grid Coordinate Maps</i> .....	498
<i>Coordinate Data Handling</i> .....	502
<i>Other Applications</i> .....	504
<i>Economics</i> .....	505
<b>Appendix D Automated Distribution Comes of Age</b> .....	507
<i>Introduction</i> .....	507
<i>Bridging the Islands of Communication</i> .....	508
<i>Single Functions Now Justify Installation</i> .....	508
<i>Simulating an Operator's Decisions</i> .....	509
<i>Load Management Tool</i> .....	510
<i>Automated Distribution Features</i> .....	513
<i>Installing an Automated Distribution System</i> .....	514
<i>Conclusion</i> .....	514
<b>Appendix E U.S. and Metric Relationships Index</b> .....	517
<b>Index</b> .....	519

## Preface to the Third Edition

The steady improvements to the electric distribution systems have been joined by new concepts that include generation, conservation and storage of electricity, part of the Energy Policy Act dictated by Congress in 2005. The act recognizes changes in factors affecting the generation of electric energy and now includes the field of its distribution. These include increasing concerns for the environment (global warming, etc.), the ever widening gap in the supply and demand for fossil fuels (mostly oil, brought about in part by the modernization and industrialization of such countries as China and India), reflected by the rising prices of these commodities as well as by the declining availability of capital for their required development.

The act spells out in some detail plans for the use of replenishable “green” fuels and for conservation of existing ones. Involved are such “exotic” fuels as wind, sunshine (solar energy), geothermal (volcanic hot springs, etc.) hydro plants, and natural gas (methane). The last is actually a non-replenishable fossil fuel, but as its emissions are relatively clean, it is included as a preference to coal and oil. The act also includes suggestions and regulations as well as incentives and penalties for its compliance, especially as they pertain to the so-called “green” fuels.

Relatively new modes of operation as cogeneration and distributed generation are included in furthering the goals of the Energy Policy Act that will more fully engage the cooperation and coordination of the distribution engineer with the requirements of the consumer.

And so, the distribution engineer, while keeping his weather eye on innovations and improvements in materials and methods, now enters solidly into the field of power generation from “green” fuels added to those of cogeneration and distributed generation. What next?

A Texas-size thank you is extended to friends and former colleagues Richard E. Gibbons and Kenneth W. Smalling, and to The Fairmont Press for their aid and encouragement. And no less for her patience and understanding to my beloved wife of sixty years.

*This page intentionally left blank*

# History and Development

While much attention is focused on electric power generating plants, their necessary adjuncts, electrical distribution systems, receive relatively scant attention from the public and investors—a phenomenon reflected in many engineering schools and among managements of many utility companies. This may perhaps be because electric lines on poles in streets and alleys and along rear property lines often go unnoticed; indeed, they are sometimes installed out of sight beneath the ground.

In comparison with power plants, expenditures for distribution systems are usually made in relatively small increments—another reason for the rather meager treatment sometimes accorded them. Until a decade ago, of every dollar spent by utility companies for electric facilities, 50 cents was spent for the distribution systems. Escalating costs for generation and reduced costs of distribution equipment have lowered this proportion to 30 cents, still a substantial amount.

With society, in all walks of life, becoming more dependent for its successful functioning on a good supply of electric energy, the link between the source and the consumer, the distribution system, assumes an ever more critical role. It is not only called upon to deliver ever greater quantities of electric energy, but the demand for ever higher standards of quality imposes on it requirements that become ever more stringent.

Higher quality is not limited to better regulation of voltage, to narrower bands of almost flickerless voltage variations. Though not closely associated with electrical distribution, a very high degree of maintaining alternating current frequencies has been sought. The awareness of faults and other contingencies, their identification and location, and the means of service restoration are important factors involved. These may be accomplished by the installation of additional devices operating automatically or manually.

These objectives may also be affected by such “nonrelated” items as better-trained personnel; improved transportation and communication facilities, including tools and equipment; quicker access to records, including use of computers; adequate stocks of materials; liaison with other sources of assistance; preventive maintenance programs; and various continually updated procedures for handling a variety of contingencies. All of these are reflected in carrying charges and operating expenses,

and ultimately in the consumers' bills. These "nonrelated" items will not be explored further in this presentation; they are mentioned generally to illustrate other important subjects that should be given consideration in arriving at overall solutions to problems affecting electric distribution systems.

\*\*\*

In the early days of the electric power industry, the distribution systems were often mere appendages to the power generating plants. Their designs, if such they may be called, sometimes were predicated almost entirely on expediency and practicality. With little study, their installation and operation were considered more of an art than a science. The areas served and the number of consumers were relatively small; individual usages were not very large, generally limited to few applications. Quality, in terms of voltage regulation and service reliability, was almost nonexistent. Other means of taking care of people's lighting and power needs were readily available.

With the expansion in the use of electricity, the demands on the distribution systems became greater and more complex. They not only had to serve greater numbers of consumers, but had to supply their greater individual loads that now required closer supervision of voltage variations at the consumers' terminals. Further, consumers demanded a reliability in their service that could tolerate only fewer interruptions of shorter duration.

At this point, the design, construction, maintenance, and operation of distribution systems became a science involving technical and economic disciplines not only in the field of electrical engineering, but in mechanical, civil, chemical, and almost all other fields of engineering as well.

From the early, simple, "radial" circuit, i.e., a feeder supplied from one source, other more sophisticated designs evolved. Radial circuits were provided with sectionalizing points which enabled a faulted section of the circuit to be disconnected. This enabled the remainder of the circuit beyond the faulted section to be reenergized by connecting it to other sources, usually adjacent circuits. These "emergency" tie points, specifically provided for this purpose, also enabled loads to be transferred conveniently from one circuit to another.

Other designs provided for duplicate feeds, with manual or automatic throw-over from one circuit to another. Circuits were formed into loops, operating open at some point or as a closed loop. In areas of more

important and greater load densities, circuits were interconnected into a mesh or network.

Original distribution systems supplied direct current at the low distribution voltages. The advent of the transformer and the economics of serving larger and larger loads more and more distant from the sources of supply soon had alternating current systems supplant the direct current distribution systems almost universally, although some declining ones still survive. Larger loads could now be supplied over longer distances at higher voltages and then lowered to utilization voltages to supply a consumer or group of consumers.

Requirements for electric service became geared to the different types of consumers served: residential, including urban, suburban, and rural; commercial, including individual stores, shopping centers, and office buildings; and industrial, including manufacturing and service plants of varying sizes. Further, other considerations sometimes made the underground installation of distribution systems desirable; such systems present problems very different from the simpler overhead systems.

\*\*\*

Parallel with the development of the electric distribution circuits was the development of more suitable materials, electric apparatus, tools, and equipment, which permitted new and more efficient methods of construction, maintenance, and operation, a process that continues to this day.

Rough-hewn raw-wood poles have given way to well-turned, well-shaped, well-preserved poles of selected woods, including hard, strong wallaba for special applications. These, in turn, may give way to reinforced concrete, steel, and aluminum alloys. Experimentation continues with poles made of other suitable materials.

Conductors, originally always made of copper, now also include those made of aluminum and copper-clad steel; during World War II, steel and silver were also used to replace scarce materials needed for the war effort. More recently, experimental conductors made of sodium and other materials have been installed for test purposes.

Porcelain insulators, originally made in one piece and almost exclusively used, are now also made as modular suspension-type units capable of being added together to accommodate almost any voltage. Glass and Pyrex have also been used extensively, while work now progresses with insulators made of plastic compounds.



Similarly, rubber insulation for cables, the initial material almost solely used, with limited ability to withstand higher voltages as well as age, has given way for the higher voltage ratings to varnished cambric, oil-impregnated paper, and plastic compounds. Research, which has extended the use of plastic compounds to voltages in the 138-kV category, continues.

Transformers have become smaller and more efficient, as well as less costly. New forms and kinds of steel cores have materially reduced magnetizing losses, while new types of insulation have not only affected their life spans, but noticeably increased their capacity size for size. Further, associated protective devices are now included within the same enclosure, making for improved appearance, easier handling, and better coordination of such devices. For some smaller sizes, epoxy-encapsulated units to replace oil-filled tanked transformers are in widespread use. Research continues for better cores and insulation.

Secondary mains have been streamlined into cabled conductors, or completely eliminated; and fewer cross arms are being installed in many areas. Capacitors have been applied to improve voltage and reduce losses, complementing or supplanting voltage regulators. Mechanical connectors have almost completely replaced manually constructed splices; better electrical contacts result as well as more uniform, safer, and more easily made installations. Street lighting now employs photoelectric cell-actuated relays for control.

Underground cables, formerly using lead almost exclusively for waterproof sheathing, now employ plastic compound coverings for that purpose as well as for insulation. Fiber, tile, wood, concrete, steel, and asbestos-based and plastic ducts are, in many cases, dispensed with and cables buried directly in the ground.

Sufficient examples have been cited to indicate changes and progress in the development of materials, methods, and equipment. The greatest development, however, has been in the realm of standardization, notably in transformer ratings, voltages, types, etc., but extending also to poles, conductors, fuses, and almost every element of electric distribution systems.

\*\*\*

Concurrent with progress in the development of the several elements making up the electrical distribution system has been the improvement in means of transportation, communication, and tools and equipment.

The horse-drawn truck has been replaced by specially designed and constructed vehicles powered by internal combustion engines capable of speeds limited only by safety considerations and local speed laws. Messenger, mail, and telegraph services have been replaced by telephones, to which later were added shortwave two-way mobile radio units, making for very rapid communication with personnel and crews in the field. More recently, such radio and telephone communications have included the installation of cathode ray tubes (CRTs) in both field vehicles and operating offices, made possible by developments in electronics and miniaturization. These enable data recorded in the computer to be made almost instantly available to those people.

Bucket-type line trucks are making the lineman's work safer and easier. Vibrating plows and horizontal boring machines make possible the relatively deep burial of cable; in many instances, this is accomplished by one unit in one operation. These developments represent significant factors in preventing or holding down the duration of interruptions and other contingencies, resulting in overall greater reliability of electric service.

\*\*\*

Despite some prevailing views, distribution engineers have always been conscious of appearance and other environmental factors. It is true that a pole line can really look beautiful only to distribution engineers, though it must never be forgotten that the use of such construction made possible the rather inexpensive supply of electric energy to almost everyone, not only in this country, but in most other countries as well.

It is equally true, however, that the distribution engineer has given recognition to those environmental factors even earlier than recent local ordinances would suggest.

Designs were adopted in many cases that attempted to make the appearance of such lines less obtrusive. From locations in the street, many were placed out of sight along rear property lines. The shapes, sizes, and color of poles were designed to be more pleasing to the eye, and their numbers, as well as the number of prominent cross arms, were reduced as much as practical. Often such lines were built through trees, even though continual tree trimming and the use of covered and insulated conductors resulted in additional expense. Agreements were reached to place power, communication, and other facilities on a common pole line to avoid cluttering the landscape with too many pole lines. In many cases, facilities were placed underground at much greater cost to allay objections in cer-

tain particular areas. All of these were done in the interest of better public relations, all without benefit of a host of rules and regulations.

Changes in labor practices have also greatly influenced the design of distribution systems (as well as other utility operations). Where in earlier days (the 1920s) the labor component of an installation accounted for only some 20 (or less) percent compared to 80 percent for material, today that ratio has been reversed with labor constituting some 80 percent of the cost and material only 20 percent. Thus in designing an economical distribution system, the engineer could now make more ample use of material, e.g., by calling for larger-size conductors, insulators, transformers, and other components. The net result is a more reliable system requiring fewer emergency operations because of overloads, installations generally providing for larger (and longer) future demands, and a reduction in losses on such systems.

\*\*\*

The problem of losses in the distribution system assumes greater importance with the price of fuels no longer a relatively minor factor in the supply of electric energy. It is difficult to measure the actual energy losses in such a system, as many other factors are included in the difference between the energy consumed by each of the consumers connected to it and the energy sent out by the power plant. Educated estimates, however, place these losses at from 10 to 20 percent of the energy sent out.

Since the losses, in general, vary with the square of the current flowing through the conductors, whether in a line or in electrical equipment, holding down the value of such current will reduce losses. Many means have been employed to achieve this, the principal one being that of raising the voltages of circuits, thereby reducing current values for given loads. Increasing conductor sizes and shortening circuit lengths, by reducing resistance values, have also been employed. In alternating current systems, the installation of capacitors at strategic locations, by improving the power factor and thereby reducing the current flow for given loads, has also been used.

Since current flow is a measurement of the demand for electric energy by a consumer, efforts have been directed toward holding down the *demand* for electricity by attempting to even out more uniformly the consumption of energy. This has been termed *energy management*. Devices, mostly electronically controlled, cut off and on electric supply to

the various loads and appliances connected to separate circuits, so that while the same end results are accomplished, peaks and valleys are reduced and load curves tend toward a continuously uniform flow. Special metering arrangements and rate schedules are provided to encourage and police such arrangements. Designs of distribution systems can also contribute to the realization of this goal.

In addition, the reduction of demands and currents can also result in the same facilities' carrying greater amounts of energy, delaying, if not making unnecessary, additional installations of power generating and transmission facilities (including substations), as well as of distribution facilities. This can have important impacts on the financial requirements of a utility.

\*\*\*

Many of the features described for improving the quality of electric service as well as for reducing losses lend themselves to automatic operation of the distribution systems. Advances in electronics and miniaturization (much of it fallout from the space program) now make such controls feasible, both technically and economically. A simple example is the control of street lighting through relays actuated by photoelectric cells. Instead of being turned on and off on some time schedule, street-lights are permitted by such relays to operate when they are needed because of darkness. Not only are circuits simplified and a smaller investment made, but losses can be minimized and better public relations achieved.

Through other types of electronically controlled relays, switches can be remotely operated automatically (opened and closed) as desired, capacitors switched on and off, loads divided more equitably between circuits as demands vary, and, during contingencies, emergency switching-off of faulted portions and re-energization of unfaulted portions from other sources accomplished quickly and automatically without manual intervention.

Remote reading and billing of consumer meter readings has been in the experimental stage for some time. Moreover, more rapid and positive operation of relays that can accommodate more sensitive settings can result in substantial savings in the installation of protective and control equipment.

\*\*\*

There are many other factors that influence the design, construction, and operation of distribution systems, many not of a technical

nature. Economics plays a most important part, but associated with such considerations are also those of financing, interest rates, rates of inflation, future worth of present expenditures as well as present worth of future expenditures, taxes, patterns of future growth, government regulations at all levels, consumer relations, public images, employee relations, availability of skilled personnel and training programs, and a host of other considerations, not excluding the more important and universal ones of weather and climate.

This work will attempt to limit itself to technical considerations, though at times it may be necessary to refer to some nontechnical factors where these may bear on the subject. In discussing the distribution system, no details on the operation of electric circuits or of such equipment as transformers and capacitors will be included (except where they may be pertinent), as such are generally contained in standard basic electrical engineering texts. In general, it will be assumed the reader is familiar with such theory and the mathematics covered in college-level courses.

Moreover, it is to be noted that the basic fundamentals of distribution engineering are well established, while its practice has been changing and continues to develop rapidly, employing more and more the results of research and development in other disciplines.

Further, distribution system designs are often affected by extraneous factors. For example, sometimes improvement or modernization of a circuit cannot be justified technically or economically. Often, however, advantage is taken of other considerations, such as road widening or other construction, to rebuild, revamp, or replace lines, the opportunity being afforded to make desirable changes that otherwise would not be considered for some time.

The normal sequence in the installation or expansion of distribution systems begins with the planning and design of facilities, then proceeds to their construction, and finally includes their maintenance and operation. The interrelationship of these factors, their effect one upon the other, is of the utmost importance in achieving an eminently satisfactory, if not optimum or maximum, operation.

Because the distribution engineer has to deal with existing systems whose vintages may vary, it has been thought desirable to describe present installations and practices, and also some past changes and variations that have taken place. Also, as overhead systems still predominate—and it appears they will continue to do so for some time despite the proliferation of underground construction—discussion of such overhead systems will

appear to predominate, though discussion of underground systems will be more than adequate. It is to be hoped that some thoughts for future developments may also be found in these discussions. At any rate, distribution systems will continue to develop as demands and requirements change, and as technologies develop to meet them.

\*\*\*

No discussion of any segment of the electric power system is complete without at least some peering into the future. The economics of energy supply will indeed have a marked effect on almost any and all endeavors, not only in this country, but throughout the industrialized world. Its effect on power systems, and particularly the distribution portion, may be profound. At one end of the spectrum, there may be a trend toward the complete electrification of consumers' energy requirements and their supply from a central source. The other end may well call for the dismantling of distribution systems as we know them today. Either extreme signals almost revolutionary changes that will present enormous problems to the distribution engineer.

Inexpensive oil and natural gas supplies appear to have seen their heyday and to have given place to other sources of energy. For the near future, coal (in some form or other) and nuclear fuels would seem to have a priority of sorts. For the longer term, other forms of energy—perhaps some new chemical storage cells, alcohol or other fuels from agricultural products, solar energy directly from the sun, wind power, or a combination of these—appear to hold some promise. The “ultimate” may be nuclear power packs, with life spans of several decades or longer, installed at each consumer's premises, and with the demise of central power supply, including the distribution systems. What compromises may occur over what period of time is open to wide speculation.

For the shorter period, however, the period of most concern to present distribution engineers, signs point to maximizing the use of coal and nuclear fuels. Both of these, from environmental and conservation viewpoints, would promote the almost complete electrification of consumers' requirements. Thus the distribution systems would need to be reinforced very considerably. At the same time, however, there would be an almost equal need to hold losses to a minimum.

These two factors, fortunately, are not incompatible. With labor costs escalating continually, greater use of materials is indicated, which is in the direction of reducing losses.

Efforts at holding down maximum demands of consumers and maximum coincidental demands will be expanded. Load management (mentioned earlier) will be a requirement, with punitive rate schedules, and perhaps tax schedules, used to enforce it; the limiting of demand would also have the effect of holding down the size and cost of new facilities required.

On the other hand, the almost total dependence on electricity implied would almost certainly have consumers seeking a better degree of service reliability. The achievement of this improvement, while at the same time holding down costs, will no doubt tax the skills and ingenuity of distribution engineers—it would **not** be the first of such challenges successfully met by them in previous decades.

\*\*\*

Engineering, as has been observed, is a combination of science and art. The scientist, the researcher, establishes facts and laws, discovers or creates new materials, all of which are subject to rigid interpretations and descriptions. On the other end is the “pure” artist who creates and imagines things and situations, often with **no** conscious regard to the realms of practicability and possibility.

More and more, engineers find it necessary to add art to their *métier*. While the scientist and artist operate with almost no consideration of cost, the engineer is almost always firmly wedded to economics. Indeed, it has often been observed that it is the engineer’s job to do for one dollar what others can do for ten—or even two!

The electrical distribution engineer face problems that are seldom exactly, or even approximately, the same. And the solutions proposed are often not “perfect” but the “best available” solutions. Often improvisation and compromise must be used, so that any work on this subject cannot be exact, nor provide all the answers to all the questions that may arise. All that this work can purport to do is to lend some direction and to point the way to where we have been, where we are, and perhaps where we are going. It has succeeded if the student, the practicing distribution engineer, and others having an interest in this subject find it useful in their daily endeavors.

**Part One**

# **The Distribution System**



*This page intentionally left blank*

## Chapter 1

# The Distribution System: Description

Although there is no “typical” electric power system, a diagram including the several components that are usually to be found in the makeup of such a system is shown in Figure 1-1; particular attention should be paid to those elements which will make up the component under discussion, the distribution system.

While the energy flow is obviously from the power generating plant to the consumer, it may be more informative for our purposes to reverse the direction of observation and consider events from the consumer back to the generating source.

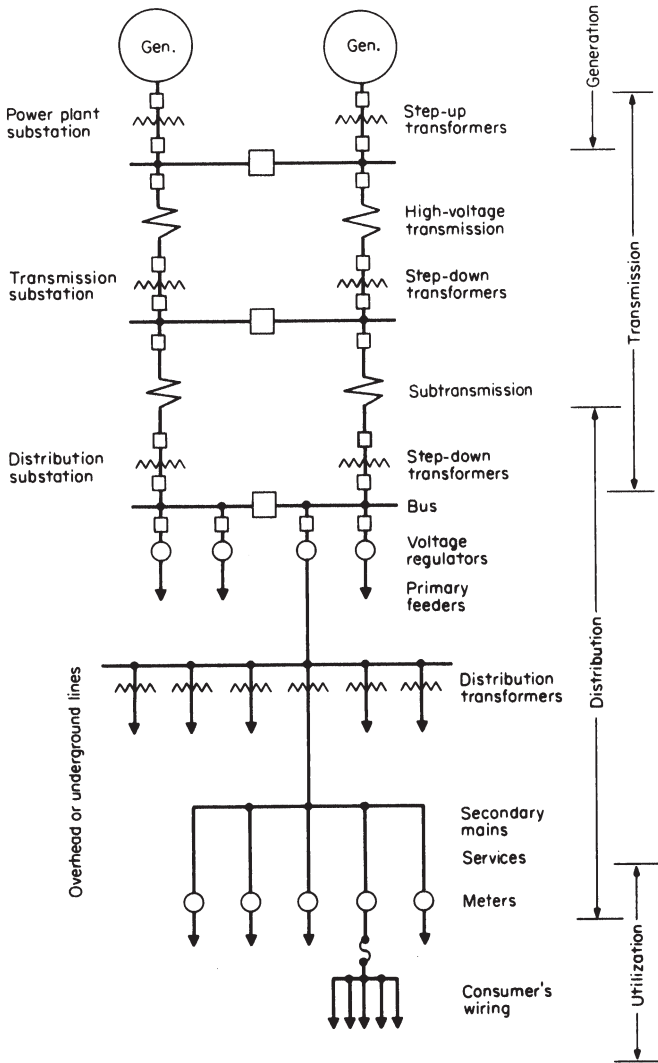
Energy is consumed by users at a nominal utilization voltage that may range generally (in the United States) from 110 to 125 V, and from 220 to 250 V (for some large commercial and industrial users, the nominal figures are 277 and 480 V). It flows through a metering device that determines the billing for the consumer, but which may also serve to obtain data useful later for planning, design, and operating purposes. The metering equipment usually includes a means of disconnecting the consumer from the incoming supply should this become necessary for any reason.

The energy flows through conductors to the meter from the secondary mains (if any); these conductors are referred to as the consumer’s *service*, or sometimes also as the *service drop*.

Several services are connected to the secondary mains; the secondary mains now serve as a path to the several services from the distribution transformers which supply them.

At the transformer, the voltage of the energy being delivered is reduced to the utilization voltage values mentioned earlier from higher *primary* line voltages that may range from 2200 V to as high as 46,000 V.

The transformer is protected from overloads and faults by fuses or so-called weak links on the high-voltage side; the latter also usually include circuit-breaking devices on the low-voltage side. These operate to disconnect the transformer in the event of overloads or faults. The circuit



**Figure 1-1. Typical electric system showing operational divisions. Note overlap of divisions.**

breakers (where they exist) on the secondary, or low-voltage, side operate only if the condition is caused by faults or overloads in the secondary mains, services, or consumers' premises; the primary fuse or weak link in addition operates in the event of a failure within the transformer itself.

If the transformer is situated on an overhead system, it is also protected from lightning or line voltage surges by a surge arrester, which drains the voltage surge to ground before it can do damage to the transformer.

The transformer is connected to the primary circuit, which may be a lateral or spur consisting of one phase of the usual three-phase primary main. This is done usually through a *line* or *sectionalizing fuse*, whose function is to disconnect the lateral from the main in the event of fault or overload in the lateral. The lateral conductors carry the sum of the energy components flowing through each of the transformers, which represent not only the energy used by the consumers connected thereto, but also the energy lost in the lines and transformers to that point.

The three-phase main may consist of several three-phase branches connected together, sometimes through other line or sectionalizing fuses, but sometimes also through switches. Each of the branches may have several single-phase laterals connected to it through line or sectionalizing fuses.

Where single-phase or three-phase overhead lines run for any considerable distance without distribution transformer installations connected to them, surge arresters may be installed on the lines for protection, as described earlier.

Some three-phase laterals may sometimes also be connected to the three-phase main through *circuit reclosers*. The recloser acts to disconnect the lateral from the main should a fault occur on the lateral, much as a line or sectionalizing fuse. However, it acts to reconnect the lateral to the main, reenergizing it one or more times after a time delay in a predetermined sequence before remaining open permanently. This is done so that a fault which may be only of a temporary nature, such as a tree limb falling on the line, will not cause a prolonged interruption of service to the consumers connected to the lateral.

The three-phase mains emanate from a *distribution substation*, supplied from a *bus* in that station. The three-phase mains, usually referred to as a *circuit* or *feeder*, are connected to the bus through a protective circuit breaker and sometimes a voltage regulator. The voltage regulator is usually a modified form of transformer and serves to maintain outgoing voltage within a predetermined band or range on the circuit or feeder as its load varies. It is sometimes placed electrically in the substation circuit so that it regulates the voltage of the entire bus rather than a single outgoing circuit or feeder, and sometimes along the route of a

feeder for partial feeder regulation. The circuit breaker in the feeder acts to disconnect that feeder from the bus in the event of overload or fault on the outgoing or distribution feeder.

The substation bus usually supplies several distribution feeders and carries the sum of the energy supplied to each of the distribution feeders connected to it. In turn, the bus is supplied through one or more transformers and associated circuit breaker protection. These substation transformers step down the voltage of their supply circuit, usually called the *subtransmission* system, which operates at voltages usually from 23,000 to 138,000 V.

The subtransmission systems may supply several distribution substations and may act as *tie feeders* between two or more substations that are either of the *bulk power or transmission* type or of the distribution type. They may also be tapped to supply some distribution load, usually through a circuit breaker, for a single consumer, generally an industrial plant or a commercial consumer having a substantially large load.

The transmission or bulk power substation serves much the same purposes as a distribution substation, except that, as the name implies, it handles much greater amounts of energy: the sum of the energy individually supplied to the subtransmission lines and associated distribution substations and losses. Voltages at the transmission substations **are** reduced to outgoing subtransmission line voltages from transmission voltages that may range from 69,000 to upwards of 750,000 V.

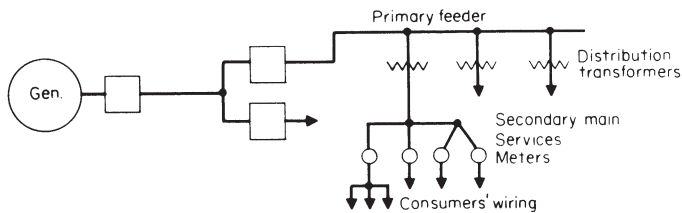
The transmission lines usually emanate from another substation associated with a power generating plant. This last substation operates in much the same manner as other substations, but serves to step up to transmission line voltage values the voltages produced by the generators. Because of material and insulation limitations, generator voltages may range from a few thousand volts for older and smaller units to some 20,000 volts for more recent, larger ones. Both buses and transformers in these substations are protected by circuit breakers, surge arresters, and other protective devices.

In all the systems described, conductors should be large enough that the energy loss in them will not be excessive, nor the loss in voltage so great that normal nominal voltage ranges at the consumers' services cannot be maintained.

In some instances, voltage regulators and capacitors are installed at strategic points on overhead primary circuits as a means of compensating for voltage drops or losses, and incidentally help in holding down

energy losses in the conductors.

In many of the distribution system arrangements, some of the several elements between the generating plant and the consumer may not be necessary. In a relatively small area, such as a small town, that is served by a power plant situated in or very near the service area, the distribution feeder may emanate directly from the power plant bus, and all other elements may be eliminated, as indicated in Figure 1-2. This is perhaps one extreme; in many other instances only some of the other elements may not be necessary; e.g., a similar small area somewhat distant from the generating plant may find it necessary to install a distribution substation supplied by a transmission line of appropriate voltage only.



**Figure 1-2. "Abbreviated" electric system.**

In the case of areas of high load density and rather severe service reliability requirements, the distribution system becomes more complex and more expensive. The several secondary mains to which the consumers' services are connected may all be connected into a mesh or network. The transformers supplying these secondary mains or network are supplied from several different primary feeders, so that if one or more of these feeders is out of service for any reason, the secondary network is supplied from the remaining ones and service to the consumers is not interrupted. To prevent a feeding-back from the energized secondary network through the transformers connected to feeders out of service (thereby energizing the primary and creating unsafe conditions), automatically operated circuit breakers, called *network protectors*, are connected between the secondary network and the secondary of the transformers; these open when the direction of energy flow is reversed.

The two examples cited here are perhaps the two extremes in the design of distribution systems, the first the simplest, the latter the most complex. There are many variations in between these, and the basic ones will be described in their appropriate places.

Only distribution systems, however, will be the subject of further description and discussion in this book. In general, these include the distribution substation, primary feeders, transformers, secondary mains, services, and other elements between the substation and the consumers' points of service.

## Chapter 2

# Distribution System Considerations

In determining the design of distribution systems, three broad classifications of choices need to be considered:

1. The type of electric system: dc or ac, and if ac, single-phase or polyphase.
2. The type of delivery system: radial, loop, or network. Radial systems include duplicate and throwover systems.
3. The type of construction: overhead or underground.

### DESIRED FEATURES

Electrical energy may be distributed over two or more wires. The principal features desired are safety; smooth and even flow of power, as far as is practical; and economy.

#### **Safety**

The safety factor usually requires a voltage low enough to be safe when the electric energy is utilized by the ordinary consumer.

#### **Smooth and Even Flow of Power**

A steady, uniform, nonfluctuating flow of power is highly desirable, both for lighting and for the operation of motors for power purposes. Although a direct current system fills these requirements admirably, it is limited in the distance over which it can economically supply power at utilization voltage.

Alternating current systems deliver power in a fluctuating manner following the cyclic variations of the voltage generated. Such fluctuations of power are not objectionable for heating, lighting, and small motors, but are not entirely satisfactory for the operation of some devices such as large motors, which must deliver mechanical power steadily and



therefore require a steady input of electric power. This may be done by supplying electricity to the motors by two or three circuits, each supplying a portion of the power, whose fluctuations are purposely made not to occur at the same time, thereby decreasing or damping out the effect of the fluctuations. These two or three separate alternating current circuits (each often referred to as a single-phase circuit) are combined into one polyphase (two- or three-phase) circuit. The voltages for polyphase circuits or systems are supplied from polyphase generators.

### Economy

The third factor requires the minimum use of conductors for delivery of electric energy. This usually calls for the use of higher voltages where conditions permit and the elimination of some conductors by providing a common return path for two or more circuits.

## TYPES OF ELECTRIC SYSTEMS

### Direct Current Systems

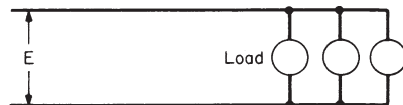
Direct current systems usually consist of two or three wires. Although such distribution systems are no longer employed, except in very special instances, older ones now exist and will continue to exist for some time. Direct current systems are essentially the same as single-phase ac systems of two or three wires; the same discussion for those systems also applies to dc systems.

### Alternating Current Single-Phase Systems

#### *Two-wire Systems*

The simplest and oldest circuit consists of two conductors between which a relatively constant voltage is maintained, with the load connected between the two conductors; refer to Figure 2-1.

In almost all cases, one conductor is grounded. The grounding of one conductor, usually called the *neutral*, is basically a safety measure. Should the live conductor come in contact accidentally with the neutral conductor, the voltage of the live conductor will be dissipated through-

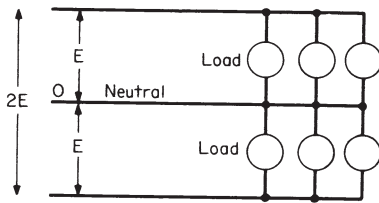


**Figure 2-1.** AC single-phase two-wire system.

out a relatively large body of earth and thereby rendered harmless.

In calculating power ( $I^2R$ ) losses in the conductors, the resistance of the conductors must be considered. In the case of the neutral conductor, because the ground, in parallel with the conductor, reduces the effective resistance, the "return" current will divide between the conductor and ground in inverse proportion to their resistances. Thus the  $I^2R$  loss in the neutral conductor will be lower than that in the live conductor; the  $I^2R$  loss in the earth may, for practical purposes, be disregarded.

In calculating voltage drop in the circuits, both the resistance and reactance of the two conductors must be considered. (In dc circuits, reactance does not exist during normal flow of current.) This combination of reactance and resistance, known as impedance, is measured in ohms ( $\mu$ ). Because the current in the grounded neutral conductor may be less than the current in the live conductor, the voltage drop in the neutral conductor may also be less.



**Figure 2-2. AC single-phase three-wire system.**

### *Three-wire Systems*

Essentially the three-wire system is a combination of two two-wire systems with a single wire serving as the neutral of each of the two-wire systems. At a given instant, if one of the live conductors is  $E$  volts (say 120 V) "above" the neutral, the other live conductor will be  $E$  volts (120 V) "below" the neutral, and the voltage between the two live (or outside) conductors will be  $2E$  (240 V). Refer to Figure 2-2.

If the load is balanced between the two (two-wire) systems, the common neutral conductor carries no current and the system acts as a two-wire system at twice the voltage of the component system; each unit of load (such as a lamp) of one component system is in series with a similar unit of the other system. If the load is not balanced, the neutral conductor carries a current equal to the difference between the currents in the outside conductors. Here again, the neutral conductor is usually connected to ground.

For a balanced system, power loss and voltage drop are determined in the same way as for a two-wire circuit consisting of the outside conductors; the neutral is neglected.

Where the loads on the two portions of the three-wire circuit are unbalanced, voltages at the utilization or receiving ends may be different. These are shown schematically in Figure 2-3. Let the distance between the dashed lines represent the voltage. There will be a voltage drop, with reference to the neutral, in each of the conductors 1 and 2. The neutral conductor will carry the difference in currents, that is,  $I_2 - I_1$ , or  $I_n$ . This current in the neutral conductor will produce a voltage drop in that conductor, as indicated in Figure 2-3. The result will be a much larger drop in voltage between conductor 2 and neutral than between conductor 1 and neutral. If the unbalance is so large that  $I_n$  is greater than  $I_1$ , the receiving end voltage  $E_{R1}$  will be greater than the sending end voltage  $E_{S1}$ , and there will be an actual rise in voltage across that side.

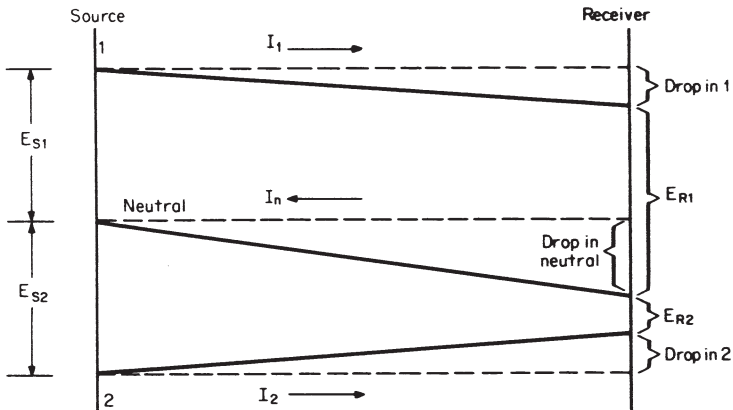


Figure 2-3. Unbalanced load—single-phase three-wire system.

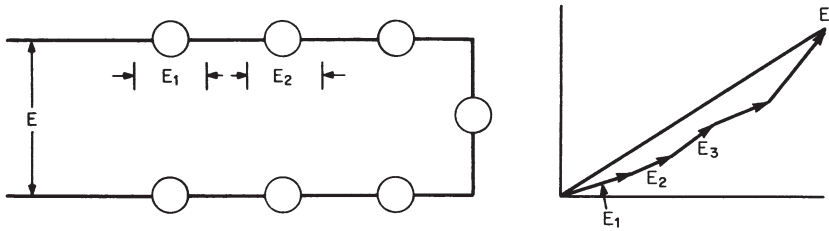
The limiting case occurs when  $I_1 = 0$  and  $I_n = I_2$ . In that case, all the load is carried on side 2; the rise in voltage on side 1 will be half as much as the drop in voltage on the loaded side 2. However, if an equal load is now added to side 1, the loads in both parts of the circuit will be balanced and  $I_n$  will equal 0. The drop in voltage between conductor 2 and the neutral will be reduced to half that obtained with the load on side 2 only, although the load now supplied is doubled.

Voltage drops in the conductors will depend on the currents flowing in them and their impedances. The power loss in each conductor ( $I^2R$ ) will depend on the current flowing in it and its resistance.

In all of this discussion, the size of the neutral has been assumed to be the same as the live or outside conductors.

### Series Systems

The series type of circuit is used chiefly for street lighting and, although being rapidly replaced by multiple-circuit lighting, nevertheless still exists in substantial numbers. It consists of a single-conductor loop in which the current is maintained at a constant value, the loads connected in series; see Figure 2-4. The voltage between the conductors at the source or at any other point depends on the amount of load connected beyond that point. The voltage at the source is equal to the vectorial sum of the voltages across the various loads and the voltage drop in the conductor.



**Figure 2-4. AC single-phase series system and voltage vector diagram.**

The voltage drop in each section of the conductor depends on the current flowing in it (which is constant in value) and the impedance of that section of the conductor.

The power supplied the circuit equals the sum of the power for the individual units of load and the line losses. Power loss in each section of the conductor will depend on the current (squared) and the resistance of that section of the conductor.

### Alternating Current Two-phase Systems

Two-phase systems are rapidly becoming obsolete, but a good number of them exist and may continue to exist for some time.

### Four-wire Systems

The four-wire system consists of two single-phase two-wire systems in which the voltage in one system is  $90^\circ$  out of phase with the voltage in the other system, both usually supplied from the same generator. Refer to Figure 2-5.

In determining the power, power loss, and voltage drops in such a system, the values are calculated as for two separate single-phase two-wire systems.

### Three-wire Systems

The three-wire system is equivalent to a four-wire two-phase system, with one wire (the neutral) made common to both phases; refer to Figure 2-6. The current in the outside or phase wires is the same as in the four-wire system; the current in the common wire is the vector sum of these currents but opposite in phase. When the load is exactly balanced in the two phases, these currents are equal and  $90^\circ$  out of phase with each other and the resultant neutral current is equal to  $\sqrt{2}$  or 1.41 times the phase current.

The voltage between phase wires and common wire is the normal phase voltage, and, neglecting the difference in neutral  $IR$  drop, the same as in the four-wire system. The voltage between phase wires is equal to  $\sqrt{2}$  or 1.41 times that voltage.

The power delivered is equal to the sum of the powers delivered by the two phases. The power loss is equal to the sum of the power losses in each of the three wires.

The voltage drop is affected by the distortion of the phase relation caused by the larger current in the third or common wire. In Figure 2-6,  $E_1$  and  $E_2$  are the phase voltages at the source and  $I_1$  and  $I_2$ , the

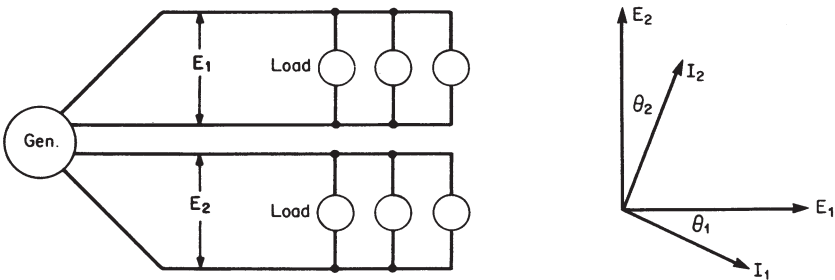
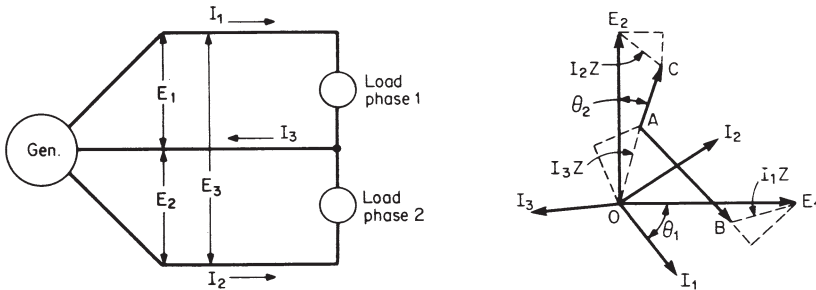


Figure 2-5. AC two-phase four-wire system and vector diagram.



**Figure 2-6. AC two-phase three-wire system and vector diagram.**

corresponding phase currents (assuming balanced loading),  $I_3$  is the current in the common wire. The voltage ( $IZ$ ) drops in the two conductors, subtracted vectorially from the source voltages  $E_1$  and  $E_2$ , give the resultant voltages at the receiver of  $AB$  for phase 1 and  $AC$  for phase 2. The voltage drop numerically is equal to  $E_1 - AB$  for phase 1, and  $E_2 - AC$  for phase 2. It is apparent that these voltage drops are unequal and that the action of the current in the common wire is to distort the relations between the voltages and currents—the effect shown in Figure 2-6 is exaggerated for illustration.

### *Five-wire Systems*

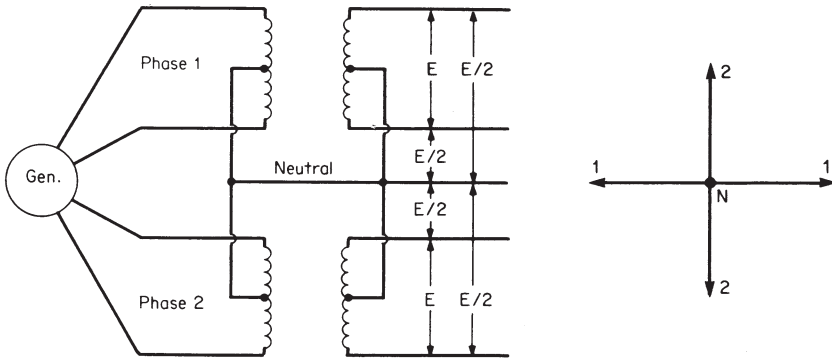
The five-wire system is equivalent to a two-phase four-wire system with the midpoint of both phases brought out and joined in a fifth wire. The voltage is of the same value from any phase wire to the common neutral, or fifth, wire. The value may be in the nature of 120 V, which is used for lighting and small motor loads, while the voltage between opposite pairs of phase wires,  $E$ , may be 240 V, used for larger-power loads. The voltage between adjacent phase wires is  $\sqrt{2}$ , or 1.41, times 120 V (about 170 V). See Figure 2-7.

If the load is exactly balanced on all four phase wires, the common or neutral wire carries no current. If it is not balanced, the neutral conductor carries the vector sum of the unbalanced currents in the two phases.

## **Alternating Current Three-phase Systems**

### *Four-wire Systems*

The three-phase four-wire system is perhaps the most widely used.



**Figure 2-7. AC two-phase five-wire system and vector diagram.**

It is equivalent to three single-phase two-wire systems supplied from the same generator. The voltage of each phase is  $120^\circ$  out of phase with the voltages of the other two phases, but one conductor is used as a common conductor for all of the system. The current  $I_n$  in that common or neutral conductor is equal to the vector sum of the currents in the three phases, but opposite in phase, as shown in Figure 2-8.

If these three currents are nearly equal, the neutral current will be small, since these phase currents are  $120^\circ$  out of phase with each other. The neutral is usually grounded. Single-phase loads may be connected between one phase wire and the neutral, but may also be connected between phase wires if desired. In this latter instance, the voltage is  $\sqrt{3}$  or 1.73 times the line-to-neutral voltage  $E$ . Three-phase loads may have each of the separate phases connected to the three phase conductors and the neutral, or the separate phases may be connected to the three phase conductors only.

Power delivered is equal to the sum of the powers in each of the three phases. Power loss is equal to the sum of the  $I^2R$  losses in all four wires.

The voltage drop in each phase is affected by the distortion of the phase relations due to voltage drop caused by the current in the neutral conductor. This is not so, however, when the neutral conductor is grounded at both the sending and receiving ends, in which case the neutral drop is theoretically zero, the current returning through ground. The voltage drop may be obtained vectorially by applying the impedance drop of each phase to its voltage. The neutral point is shifted from  $O$  to

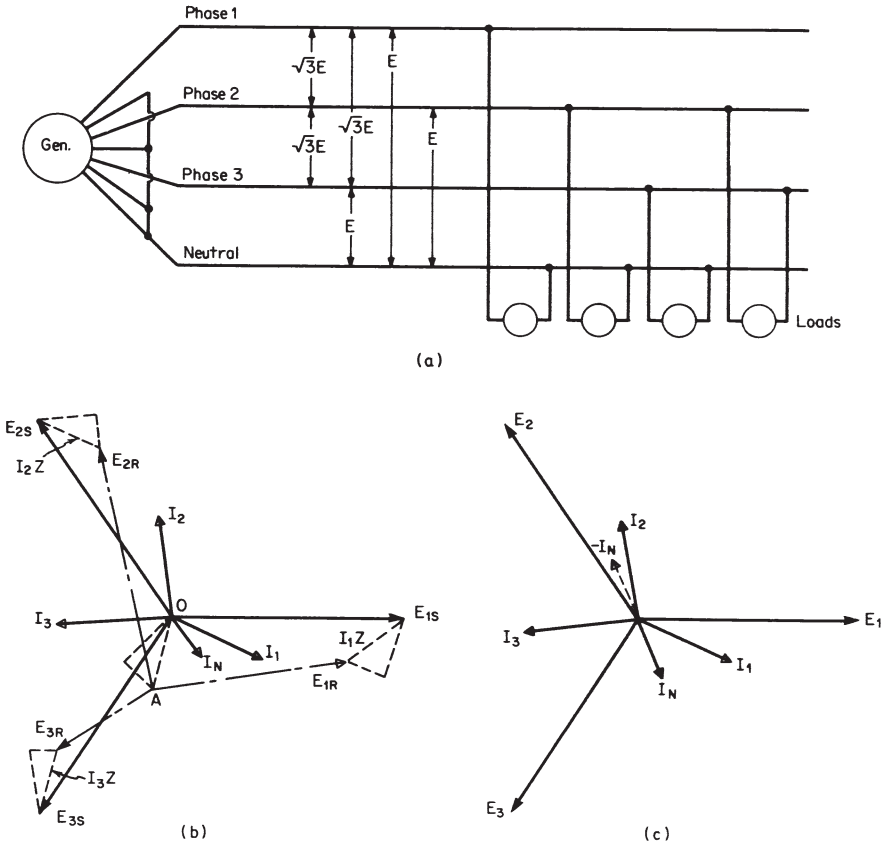


Figure 2-8. (a) AC three-phase four-wire system; (b) voltage and current vector diagram; (c) current vector diagram.

A by the voltage drop in the neutral conductor and the resulting voltages at the receiver are shown by  $E_{1R}$ ,  $E_{2R}$ , and  $E_{3R}$ . The voltage drops in each phase are numerically equal to the difference in length between  $E_{1S}$  and  $E_{1R}$ ,  $E_{2S}$  and  $E_{2R}$ , and  $E_{3S}$  and  $E_{3R}$ . The effects of the distortion due to voltage drop in the neutral conductors are exaggerated in Figure 2-8 for illustration.

*Three-wire Systems*

If the load is equally balanced on the three phases of a four-wire system, the neutral carries no current and hence could be removed, mak-



ing a three-wire system. It is not necessary, however, that the load be exactly balanced on a three-wire system.

Considering balanced loads, on a three-phase three-wire system, a three-phase load may be connected with each phase connected between two phase wires—a delta ( $\Delta$ ) connection—or with each phase between one phase wire and a common neutral point—the star or wye ( $Y$ ) connection, as shown in Figure 2-9.

The voltage between line conductors is the delta voltage  $E_{\Delta}$  while the line current is the wye current  $I_Y$ . The relations in magnitude and phase between the various delta and wye voltages and currents for the same load are shown in Figure 2-9. For the delta connection,  $I_Y$  is equal to the vector difference between the adjacent delta currents; hence:

$$I_Y = \sqrt{3} \text{ (or 1.73) times } I$$

and

$$E_{\Delta} = \sqrt{3} \text{ (or 1.73) times } E_Y$$

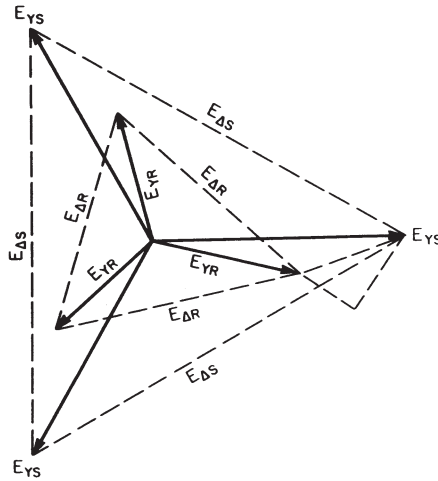
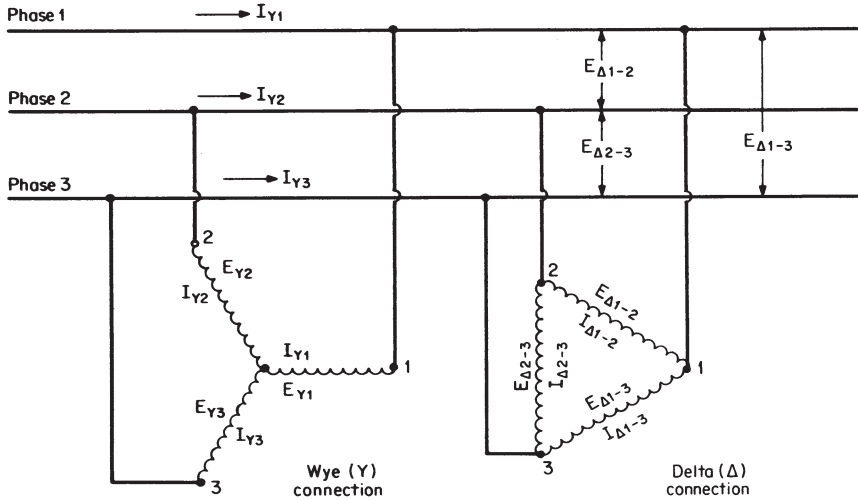
Power delivered, when balanced loads are considered, is equal to 3 times the power delivered by one phase. Power loss is equal to the sum of the losses in each phase, or when balanced conditions exist, it is 3 times the power loss in any one phase.

The voltage drop in each phase, referred to the wye ( $Y$ ) voltages, may be determined by adding the impedance drop in one conductor vectorially to  $E_{Y'}$ , when balanced loads are considered. The same thing is done in determining voltages where unbalanced loads are considered. If  $E_M$  is the voltage between phases at the source and  $E_{\Delta S}$  the phase-to-neutral voltage, the drop due to conductor impedance,  $IZ$ , is subtracted vectorially from  $E_{Y'S}$  for each of the three phases, and the resulting voltages between phases at the receiving end ( $E_{\Delta R}$ ) are obtained. The effects shown in the vector diagram of Figure 2-9 are exaggerated for illustration.

## Alternating Current Six-phase Systems

### *Six-wire Systems*

Six-phase systems consist essentially of two three-phase systems connected so that each phase of one system will be displaced  $180^\circ$  with reference to the same phase of the other system. These may consist of two banks of three transformers connected separately with the polarity of one bank reversed with reference to the second bank; or one bank of



**Figure 2-9. AC three-phase three-wire system and voltage vector diagrams (current vector now shown).**

transformers may be employed, with the secondary windings divided into two equal parts and both ends of each winding part brought out to separate terminals (for a total of 12 terminals).

The windings may be connected in a double-delta fashion as shown in Figure 2-10a, or in a double-wye arrangement as shown in

Figure 2-10b. The associated vector diagrams of the voltage relationships are also indicated.

In the double-wye connection, it is not necessary to have the windings brought out to 12 terminals; the neutral connection may be made by connecting together the mid tap from each of the three secondary windings.

Such systems are almost exclusively used in supplying rectifiers or synchronous converters to serve direct current loads; the synchronous converter also aids in improving power factor on the alternating current supply system.

*Seven-wire Systems*

A seventh, or neutral, wire may be brought out from the common junction of the double-wye connection, as indicated by the dashed line

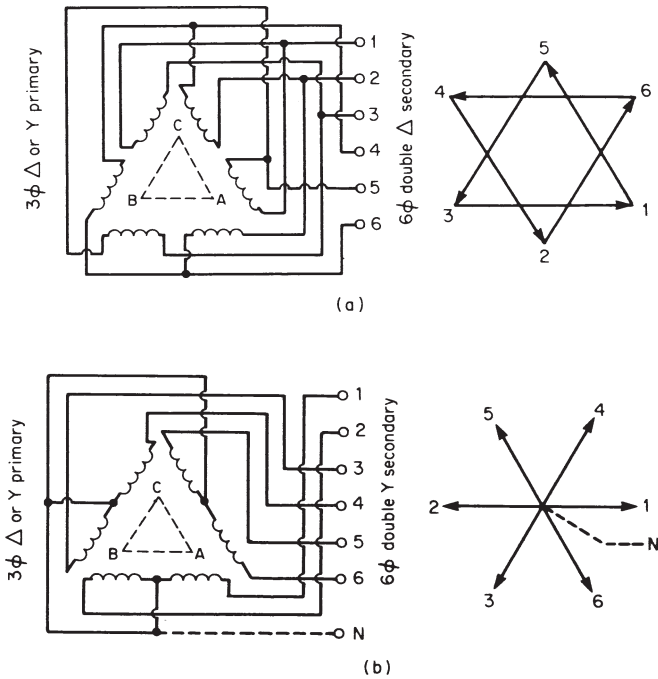


Figure 2-10. AC six-phase six-wire double-delta system (a), AC six-phase six-wire (and seven-wire) double-wye system (b), and voltage vector diagrams.

in Figure 2-106.

The seven-wire system may be used for distribution purposes, with the neutral connected to other common neutral systems. The disadvantage of the additional conductor is balanced against two major advantages:

1. The ability to serve single-phase loads from a source of higher voltage, i.e., twice the line-to-neutral voltage, compared with 1.73 times the line-to-neutral voltage in a three-phase system.
2. Reduction in overall line losses, as each conductor will carry only one-sixth of the load, compared with one-third in a three-phase system—only half the load per conductor in a three-phase system. The losses, therefore, will be one-quarter those in a three-phase (three- or four-wire balanced) system.

The overall savings in fuel costs for supplying the lesser losses may exceed the increased carrying charges associated with the additional conductors. The improved voltage in supplying three-phase delta (power) loads from such a system also contributes to its acceptability. As fuel and operating costs increase, such systems may find wider application.

### **Comparison between Alternating Current Systems**

A comparison of efficiencies for the several alternating current systems, assuming the same (balanced) loads, the same voltage between conductors, and the same conductor size is summarized in Table 2-1, which uses a single-phase two-wire circuit as a basis for comparison.

## TYPES OF DELIVERY SYSTEMS

The delivery of electric energy from the generating plant to the consumer may consist of several more or less distinct parts that are nevertheless somewhat interrelated, described generally in Chapter 1. The part considered “distribution,” i.e., from the bulk supply substation to the meter at the consumer’s premises, can be conveniently divided into two subdivisions:

1. Primary distribution, which carries the load at higher than utilization voltages from the substation (or other source) to the point

**Table 2-1. Comparative efficiencies of AC systems.**

<i>Type of ac system</i>		<i>Amount of conductor</i>	<i>Power loss</i>	<i>Voltage drop (approximate)</i>
Single-phase	2-wire	1.0	1.00	1.00
	3-wire	1.5	0.25	0.25
Two-phase	3-wire	1.5	0.50	0.50
	4-wire	2.0	0.25	0.25
	5-wire	2.5	0.25	0.25
Three-phase	3-wire*	1.5	0.167	0.167
	3-wire**	1.5	0.50	0.50
	4-wire*	2.0	0.167	0.167
Six-phase	6-wire	3.0	0.042	0.042
	7-wire	3.5	0.042	0.042

\*Wye ( $Y$ ) voltage same as single-phase.

\*\*Delta ( $\Delta$ ) voltage same as single-phase.

where the voltage is stepped down to the value at which the energy is utilized by the consumer.

2. Secondary distribution, which includes that part of the system operating at utilization voltages, up to the meter at the consumer's premises.

### Primary Distribution

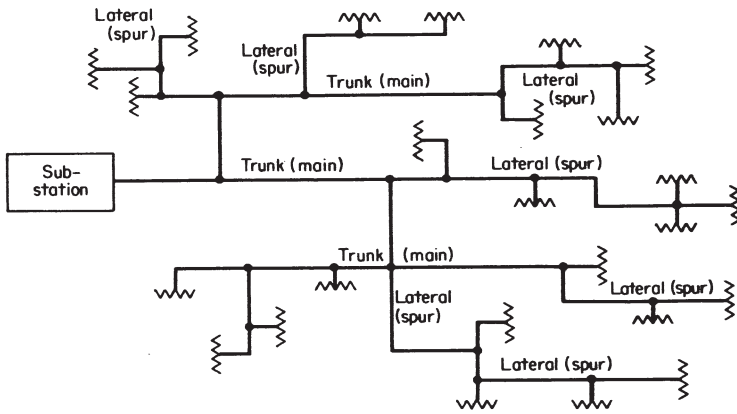
Primary distribution systems include three basic types:

1. Radial systems, including duplicate and throwover systems
2. Loop systems, including both open and closed loops
3. Primary network systems

#### *Radial Systems*

The radial-type system is the simplest and the one most commonly used. It comprises separate feeders or circuits "radiating" out of the substation or source, each feeder usually serving a given area. The feeder may be considered as consisting of a main or trunk portion from which there radiate spurs or laterals to which distribution transformers are connected, as illustrated in Figure 2-11.

The spurs or laterals are usually connected to the primary main through fuses, so that a fault on the lateral will not cause an interruption to the entire feeder. Should the fuse fail to clear the line, or should a fault



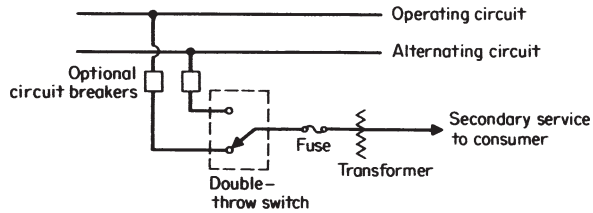
**Figure 2-11. Primary feeder schematic diagram showing trunk or main feeds and laterals or spurs.**

develop on the feeder main, the circuit breaker back at the substation or source will open and the entire feeder will be de-energized.

To hold down the extent and duration of interruptions, provisions are made to sectionalize the feeder so that unfaulted portions may be reenergized as quickly as practical. To maximize such re-energization, emergency ties to adjacent feeders are incorporated in the design and construction; thus each part of a feeder not in trouble can be tied to an adjacent feeder. Often spare capacity is provided for in the feeders to prevent overload when parts of an adjacent feeder in trouble are connected to them. In many cases, there may be enough diversity between loads on adjacent feeders to require no extra capacity to be installed for these emergencies.

Supply to hospitals, military establishments, and other sensitive consumers may not be capable of tolerating any long interruption. In such cases, a second feeder (or additional feeders) may be provided, sometimes located along a separate route, to provide another, separate alternative source of supply. Switching from the normal to the alternative feeder may be accomplished by a throwover switching arrangement (which may be a circuit breaker) that may be operated manually or automatically. In many cases, two separate circuit breakers, one on each feeder, with electrical interlocks (to prevent connecting a good feeder to the one in trouble), are employed with automatic throwover control by relays. See Figure 2-12.

**Figure 2-12.**  
**Schematic diagram of alternate feed-throwover arrangement for critical consumers.**



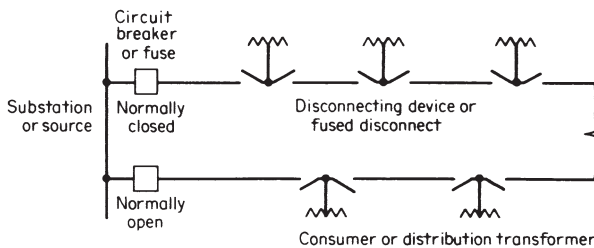
*Loop Systems*

Another means of restricting the duration of interruption employs feeders designed as loops, which essentially provide a two-way primary feed for critical consumers. Here, should the supply from one direction fail, the entire load of the feeder may be carried from the other end, but sufficient spare capacity must be provided in the feeder. This type of system may be operated with the loop normally open or with the loop normally closed.

*Open Loop*

In the open-loop system, the several sections of the feeder are connected together through disconnecting devices, with the loads connected to the several sections, and both ends of the feeder connected to the supply. At a predetermined point in the feeder, the disconnecting device is intentionally left open. Essentially, this constitutes two feeders whose ends are separated by a disconnecting device, which may be a fuse, switch, or circuit breaker. See Figure 2-13.

In the event of a fault, the section of the primary on which the fault occurs can be disconnected at both its ends and service reestablished to the unfaulted portions by closing the loop at the point where it is normally left open, and reclosing the breaker at the substation (or supply



**Figure 2-13.** Open-loop circuit schematic diagram.

source) on the other, unfaulted portion of the feeder.

Such loops are not normally closed, since a fault would cause the breakers (or fuses) at both ends to open, leaving the entire feeder de-energized and no knowledge of where the fault has occurred. The disconnecting devices between sections are manually operated and may be relatively inexpensive fuses, cutouts, or switches.

### Closed Loop

Where a greater degree of reliability is desired, the feeder may be operated as a closed loop. Here, the disconnecting devices are usually the more expensive circuit breakers. The breakers are actuated by relays, which operate to open only the circuit breakers on each end of the faulted section, leaving the remaining portion of the entire feeder energized. In many instances, proper relay operation can only be achieved by means of pilot wires which run from circuit breaker to circuit breaker and are costly to install and maintain; in some instances these pilot wires may be rented telephone circuits. See Figure 2-14.

To hold down costs, circuit breakers may be installed only between certain sections of the feeder loop, and ordinary, less expensive disconnecting devices installed between the intermediate sections. A fault will then de-energize several sections of the loop; when the fault is located, the disconnecting devices on both ends of the faulted section may be opened and the unfaulted sections reenergized by closing the proper circuit breakers.

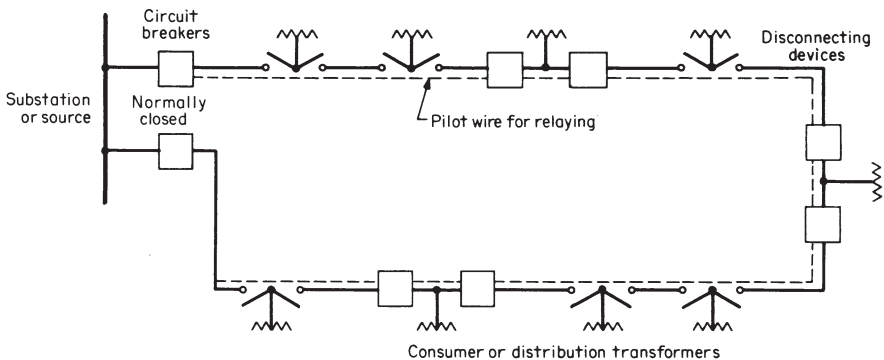


Figure 2-14. Closed-loop circuit.



### Primary Network Systems

Although economic studies indicated that under some conditions the primary network may be less expensive and more reliable than some variations of the radial system, relatively few primary network systems have been put into actual operation and only a few still remain in service.

This system is formed by tying together primary mains ordinarily found in radial systems to form a mesh or grid. The grid is supplied by a number of power transformers supplied in turn from subtransmission and transmission lines at higher voltages. A circuit breaker between the transformer and grid, controlled by reverse-current and automatic reclosing relays, protects the primary network from feeding fault current through the transformer when faults occur on the supply subtransmission or transmission lines. Faults on sections of the primaries constituting the grid are isolated by circuit breakers and fuses. See Figure 2-15.

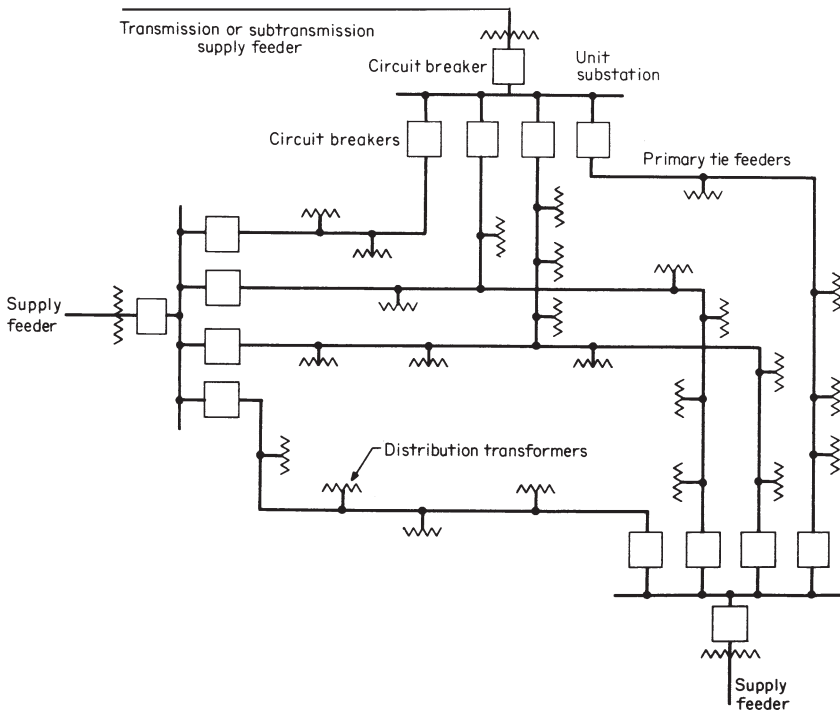


Figure 2-15. Primary network. Sectionalizing devices on feeders not shown.

This type of system eliminates the conventional substation and long primary trunk feeders, replacing them with a greater number of “unit” substations strategically placed throughout the network. The additional sites necessary are often difficult to obtain. Moreover, difficulty is experienced in maintaining proper operation of the voltage regulators (where they exist) on the primary feeders when interconnected.

### Secondary Distribution

Secondary distribution systems operate at relatively low utilization voltages and, like primary systems, involve considerations of service reliability and voltage regulation. The secondary system may be of four general types:

1. An individual transformer for each consumer; i.e., a single service from each transformer.
2. A common secondary main associated with one transformer from which a group of consumers is supplied.
3. A continuous secondary main associated with two or more transformers, connected to the same primary feeder, from which a group of consumers is supplied. This is sometimes known as *banking* of transformer secondaries.
4. A continuous secondary main or grid fed by a number of transformers, connected to two or more primary feeders, from which a large group of consumers is supplied. This is known as a *low-voltage* or *secondary* network.

Each of these types has its application to which it is particularly suited.

#### *Individual Transformer—Single Service*

Individual-transformer service is applicable to certain loads that are more or less isolated, such as in rural areas where consumers are far apart and long secondary mains are impractical, or where a particular consumer has an extraordinarily large or unusual load even though situated among a number of ordinary consumers.

In this type of system, the cost of the several transformers and the

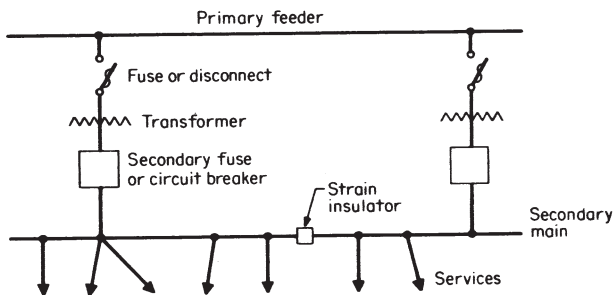
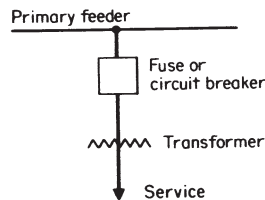
sum of power losses in the units may be greater (for comparative purposes) than those for one transformer supplying a group of consumers from its associated secondary main. The diversity among consumers' loads and demands permits a transformer of smaller capacity than the capacity of the sum of the individual transformers to be installed. On the other hand, the cost and losses in the secondary main are obviated, as is also the voltage drop in the main. Where low voltage may be undesirable for a particular consumer, it may be well to apply this type of service to the one consumer. Refer to Figure 2-16.

### *Common Secondary Main*

Perhaps the most common type of secondary system in use employs a common secondary main. It takes advantage of diversity between consumers' loads and demands, as indicated above. Moreover, the larger transformer can accommodate starting currents of motors with less resulting voltage dip than would be the case with small individual transformers. See Figure 2-17.

In many instances, the secondary mains installed are more or less continuous, but cut into sections insulated from each other as conditions require. As loads change or increase, the position of these division

**Figure 2-16. Single-service secondary supply.**



**Figure 2-17. Common-secondary-main supply.**

points may be readily changed, sometimes holding off the need to install additional transformer capacity. Also, additional separate sections can be created and a new transformer installed to serve as load or voltage conditions require.

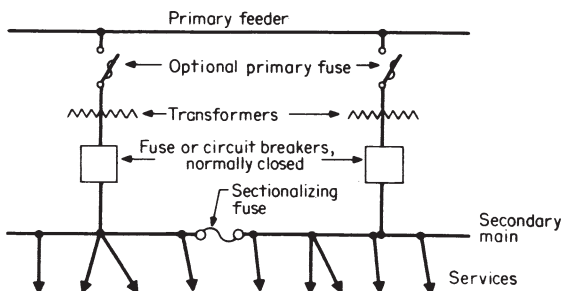
### Banked Secondaries

The secondary system employing banked secondaries is not very commonly used, although such installations exist and are usually limited to overhead systems.

This type of system may be viewed as a single-feeder low-voltage network, and the secondary may be a long section or grid to which the transformers are connected. Fuses or automatic circuit breakers located between the transformer and secondary main serve to clear the transformer from the bank in case of failure of the transformer. Fuses may also be placed in the secondary main between transformer banks. See Figure 2-18.

Some advantages claimed for this type of system include uninterrupted service, though perhaps with a reduction in voltage, should a transformer fail; better distribution of load among transformers; better normal voltage conditions resulting from such load distribution; an ability to accommodate load increases by changing only one or some of the transformers, or by installing a new transformer at some intermediate location without disturbing the existing arrangement; the possibility that diversity between demands on adjacent transformers will reduce the total transformer load; more capacity available for inrush currents that may cause flicker; and more capacity as well to burn secondary faults clear.

Some disadvantages associated with this type of system are as follows: should one transformer fail, the additional loads imposed on adjacent units may cause them to fail, and in turn their loads would cause



still other transformers to fail (this is known as *cascading*); the transformers banked must have very nearly the same impedance and

**Figure 2-18. Banked secondary supply.**

other characteristics, or the loads will not be distributed equitably among them; and sufficient reserve capacity must be provided to carry emergency loads safely, obviating the savings possible from the diversity of the demands on the several transformers.

Banked secondaries, while providing for failure of transformers, do not provide against faults on the primary main or feeder. Further, a hazard on any transformer disconnected for any reason may result from a back feed if the secondary energizes the primary (which may have been considered safe).

### *Secondary Networks*

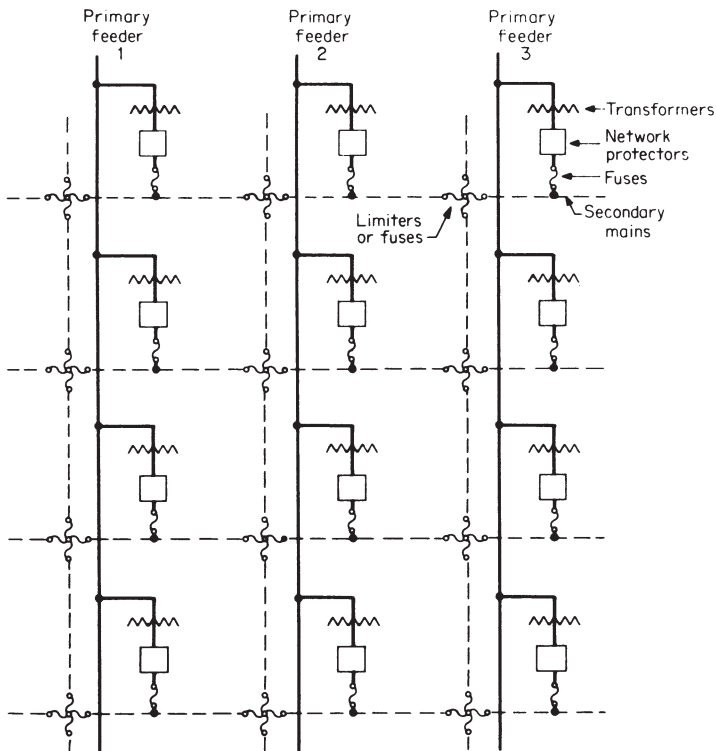
Secondary networks at present provide the highest degree of service reliability and serve areas of high load density, where revenues justify their cost and where this kind of reliability is imperative. In some instances, a single consumer may be supplied from this type of system by what are known as *spot networks*.

In general, the secondary network is created by connecting together the secondary mains fed from transformers supplied by two or more primary feeders. Automatically operated circuit breakers in the secondary connection between the transformer and the secondary mains, known as *network protectors*, serve to disconnect the transformer from the network when its primary feeder is de-energized; this prevents a back feed from the secondary into the primary feeder. This is especially important for safety when the primary feeder is de-energized from fault or other cause. The circuit breaker or protector is backed up by a fuse so that, should the protector fail to operate, the fuse will blow and disconnect the transformer from the secondary mains. See Figure 2-19.

The number of primary feeders supplying a network is very important. With only two feeders, only one feeder may be out of service at a time, and there must be sufficient spare transformer capacity available so as not to overload the units remaining in service; therefore this type of network is sometimes referred to as a *single-contingency* network.

Most networks are supplied from three or more primary feeders, where the network can operate with the loss of two feeders and the spare transformer capacity can be proportionately less. These are referred to as *second-contingency* networks.

Secondary mains not only should be so designed that they provide for an equitable division of load between transformers and for good voltage regulation with all transformers in service, but they also must



**Figure 2-19. Low-voltage secondary network.**

do so when some of the transformers are no longer in service when their primary feeders are de-energized. They must also be able to divide fault current properly among the transformers, and must provide for burning faults clear at any point while interrupting service to a minimum number of consumers; this often limits the size of secondary mains, usually to less than  $500 \text{ cmil} \times 10^3$ , so that when additional secondary main capacity is required, two or more smaller size conductors have to be paralleled. In some networks, where insufficient fault current might cause long sections of secondary mains to be destroyed before the fault is burned clear, sections of secondary mains are fused at each end.

Because these networks may represent very large loads, their size and capacity may have to be limited to such values as can be successfully handled by the generating or other power sources should they become entirely de-energized for any reason. When they are de-energized

for any length of time, the inrush currents are very large, as diversity among consumers may be lost, and this may be the limiting factor in restricting the size and capacity of such networks.

### **Voltages**

For all types of service, primary voltages are becoming higher. Original feeder primary voltages of about 1000 V have climbed to nominal 2400, 4160, 7620, 13,800, 23,000, and 46,000 V. Moreover, primary feeders that originally operated as single-phase and two-phase circuits are all now essentially three-phase circuits; even those originally operated as delta ungrounded circuits are now converted to wye systems, with their neutral common to the secondary neutral conductor and grounded.

Secondary voltages have changed from nominal 110/220 V single-phase values to those now operating at 120/240 V single-phase and 120/208 or 120/240 V for three-phase circuits, the 120-V utilization being applied to lighting and small-motor loads while the 208- and 240-V three-phase values are applied to larger-motor loads. More recently, secondary systems have employed utilization voltage values of 277 and 480 V, with fluorescent lighting operating single-phase at 277 V and larger motors operating at a three-phase 480 V. To supply some lighting and small motors single-phase at 120 V, autotransformers of small capacity are employed to step down the 277 V to 120 V.

Secondary voltages and connections will be explored further in discussing transformers and transformer connections.

## **OVERHEAD VERSUS UNDERGROUND**

Although the original distribution system pioneered by Thomas Edison was a direct current low-voltage system installed underground, the widespread expansion of electric systems was based principally on the adoption of alternating current (through the application of transformers) and the very economic overhead type of construction.

While the chief limitation to the adoption of underground systems is economic, there are other reasons that argue against its selection. The necessity for ducts, for manholes, and for cables that require expensive insulation and lead sheaths, short pulls, and a relatively large number of splices, and the special requirements to make equipment waterproof

and safe for installation underground all tend to make investment costs several times as great as for overhead systems of comparable characteristics.

Where loads become so great, however, that the number of pole lines and the congestion of conductors on such lines become impractical from safety, operational, and appearance viewpoints, there is no alternative but to place the lines underground. In such areas, traffic conditions are usually so severe that difficulty is experienced in building and maintaining overhead systems; moreover, the heavy traffic itself presents additional hazards from vehicles striking the poles.

While an underground system is not exposed to damage and interruptions from storms, traffic, etc., on the other hand, when trouble does occur, it is very much more difficult and time-consuming to locate and repair than in the overhead system. For this reason, additional provisions and expenditures are made for maintaining service reliability; these include duplicate facilities, throwover schemes, networks, etc. Also, the lesser ability for heat radiation in an underground system does not permit the loading and overloading of conductors and equipment possible with overhead systems.

With plastics taking over the functions of insulation and sheathing in underground cables, and the ability of these materials to be buried directly in the ground, the economic advantage of overhead systems, though still favorable, is markedly reduced. The recent greater emphasis on environment (appearance) also has contributed to a greater pressure for underground installations. Overhead systems will, however, prevail to a very great extent for some time, and will be in almost exclusive use in rural areas.



*This page intentionally left blank*

**Part Two**

**Planning and Design**

*This page intentionally left blank*

## Chapter 3

# Load Characteristics

In the planning of an electrical distribution system, as in any other enterprise, it is necessary to know three basic things:

1. The quantity of the product or service desired (per unit of time)
2. The quality of the product or service desired
3. The location of the market and the individual consumers

Logically, then, it would be well to begin with the basic building blocks, the individual consumers, and then determine efficient means of supplying their wants, individually and collectively.

### CONNECTED LOADS

A good place to start is the tabulation of all electric devices (lamps, appliances, equipment, etc.) that consumers *can* connect to their supply system. The ratings of the devices at specified voltages (and sometimes frequency and temperature) limits are usually contained in the nameplate or other published data accompanying the devices. The devices can be classified into four broad general categories: lighting, power, heating, and electronic. Each of these has different characteristics and requirements.

#### Lighting Loads

Included under lighting are incandescent and fluorescent lamps, neon lights, and mercury vapor, sodium vapor, and metal halide lights. Nominal voltages specified for lighting are usually 120, 240, and 277 Volts (variations may exist from the base 120-V value, e.g., 115 and 125 V). All operate with dc or single-phase ac; the discussion will be in terms of ac, with comments concerning dc operation where applicable.

#### *Incandescent Lighting*

Incandescent lamps operate at essentially unity power factor.

Their light output drops considerably at reduced voltage, being some 16 percent less with a 5 percent lowered voltage, and decreasing at a geometrically faster rate from then on. They are also sensitive to sudden rapid voltage variations, producing a noticeable (and annoying) flicker at variations of as little as 3 Volts (on a 120-V base). Street lighting of the incandescent type can be operated in a multiple or a series fashion. The former operates as other lighting in a multiple or parallel circuit, while the light output for the series type depends on the amount of deviation from the standard value of current flowing through it (usually 6.6, 15, or 20 A); it is sensitive to variations of as little as 1 percent in the value of the current. The life of incandescent lamps is considerably reduced at voltages appreciably above normal.

#### *Fluorescent and Neon Lighting*

Fluorescent lamps and neon lights operate at power factors of about 50 percent, but usually have corrective capacitors included so that, for planning purposes, they may also be considered to operate at 100 percent or unity power factor. Their light output, per unit input of electrical energy, is considerably greater (25 percent or more) than that of a similarly rated incandescent lamp. The life of fluorescent lamps and neon lights is affected by the number of switching operations they undergo. If fluorescent lamps are used on dc circuits, special auxiliaries and series resistance must be employed; operation is inferior to that on ac, with much less light produced per unit of energy and rated life reduced 20 percent. Neon lights are not usually employed on dc circuits. Fluorescent lamps, neon lights, mercury and sodium vapor, and metal halide lights *may*, if improperly installed or when deteriorating, cause radio and TV interference.

#### *High-intensity Vapor Lighting*

Mercury vapor (high pressure) and sodium vapor (high and low pressure) and metal halide lights operate at power factors of 70 to 80 percent, but also are associated with capacitors to raise the effective value to 100 percent. They are not as susceptible to voltage variations as are incandescent lamps. Their light output and life expectancy are greater than those for fluorescent lamps. They may be employed on dc circuits, but require additional starting auxiliaries. They are generally restricted to applications where large amounts of lighting are desirable, such as on expressways, in large manufacturing areas, or in photographic work;

they are somewhat more expensive than other types and have the disadvantage of taking some time after being energized before maximum light output occurs.

**Power Loads**

Generally included in power loads are motors of all sizes: direct current shunt, compound and series types; alternating current single-phase and polyphase, induction and synchronous types; and universal (series) for both dc and ac operation. Table 3-1 summarizes the characteristics and general application of these various types of motors.

*Single-phase Fractional-horsepower Motors*

The majority of fractional horsepower motors, generally used in appliances of various kinds, are single-phase and operate at power factor values of 50 to 70 percent, but many have corrective capacitors associated with them. When they operate without speed controls or starters, their starting currents may cause lights on the same circuit to flicker;

**Table 3-1. Summary of motor general characteristics.**

<i>Type of motor</i>	<i>Horsepower rating</i>	<i>Speed characteristics</i>	<i>General capability</i>
DC shunt	Up to 200	Constant speed or variable speed by armature or field control	Light or medium starting duty
DC compound	Up to 200	Varying speeds up to 25% from no load to full load	Heavy starting duty, heavy loads for short periods
DC series	Up to 200	Variable speeds	Heavy intermittent starting or heavy loads for short periods
AC 1φ	<sup>1</sup> / <sub>50</sub> or less to 10	Constant speed; usually with some line means for varying speed	Constant speed; no speed control for light or heavy starting duty
AC polyphase (2φ or 3φ) induction	Squirrel-cage to 200; wound rotor to 1000	Speed change by field controls or reduced voltage; available for constant torque and constant hp	Constant speed; light, medium, and heavy starting duty
AC 3φ synchronous	Usually 300 to 5000 +	Constant speed; for power factor control by over- or underexcitation	Constant speed; light, medium, and heavy starting duty and loads

where starts are relatively frequent, as with refrigerators and oil burners, the flicker may be annoying.

### *Induction Motors*

Most commercial and industrial ac motors are of the induction type; limited speed control may be obtained in some types by varying the applied voltage. Where accurate speed control is desirable, such as for elevators and printing presses, dc motors are employed, sometimes served from ac sources through motor-generator sets. Induction motors may operate at power factors of 50 to 95 percent but generally operate on the order of 80 to 90 percent; at less than full load, the power factors may drop to 50 to 60 percent. Most large motors for industrial loads (from about 2 hp and larger) are usually three-phase (although many older two-phase motors still exist). Voltage variations of about—10 percent can be accommodated with little lowering of motor efficiency and power factor values.

### *Synchronous Motors*

Synchronous motors, usually of large sizes, can operate at power factors leading or lagging 100 percent by adjusting their excitation: over-excitement draws leading current, under-excitement lagging current. Often this type of motor is used for power factor correction for the entire installation.

Since larger motors are apt to cause voltages to dip when starting, circuits separate from lighting circuits are provided to eliminate flicker problems; sometimes separate supply transformers are also provided. Also causing similar flicker problems are chemical and electrolytic devices and mechanical devices operated by coils or solenoids.

## **Heating Loads**

The heating category may be conveniently divided into residential (small) and industrial (large) applications.

### *Residential Heating*

Residential heating includes ranges for cooking; hot water heaters; toasters, irons, clothes dryers, and other such appliances; and house heating. These are all resistance loads, varying from a relatively few watts to several kilowatts, most of which operate at 120 V, while the larger ones are served at 240 V; all are single-phase. The power factor of such

devices is essentially unity. The resistance of the elements involved is practically constant; hence current will vary directly as the applied voltage. The effect of reduced voltage and accompanying reduced current is merely to cause a corresponding reduction in the heat produced or a slowing down of the operation of the appliance or device. While voltage variation, therefore, is not critical, it is usually kept to small values since very often the smaller devices are connected to the same circuits as are lighting loads, although hot water heaters, ranges, and other larger loads are usually supplied from separate circuits. (Microwave ovens employ high-frequency induction heating and are described below.)

### *Industrial Heating*

Industrial heating may include large space heaters, ovens (baking, heat-treating, enameling, etc.), furnaces (steel, brass, etc.), welders, and high-frequency heating devices. The first two are resistance-type loads and operate much as the smaller residential devices, with operation at 120 or 240 V, single-phase, and at unity power factor. Ovens, however, may be operated almost continuously for reasons of economy, and some may be three-phase units.

### *Electric Furnaces*

Furnaces may draw heavy currents more or less intermittently during part of the heat process and a fairly steady lesser current for the rest; on the whole, the power factor will be fairly high since continuous operation is indicated for economy reasons. The power factor of a furnace load varies with the type of furnace from as low as 60 percent to as high as 95 percent, with the greater number about 75 or 80 percent. Sizes of furnaces vary widely; smaller units with a rating of several hundred kilowatts are single-phase, while the larger, of several thousand kilowatts, are usually three-phase. Voltage regulation, while not critical, should be fairly close because of its possible effect on the material in the furnace.

### *Welders*

Welders draw very large currents for very short intermittent periods of time. They operate at a comparatively low voltage of 30 to 50 V, served from a separate transformer having a high current capacity. Larger welders may employ a motor-generator set between the welder and the power system to prevent annoying voltage dips. The power fac-



tor of welder loads is relatively low, varying with the load. The timing of the weld is of great importance and may be regulated by electronic timing devices.

### *High-Frequency Heating*

High-frequency heating generates heat in materials by high-frequency sources of electric power derived from the normal (60-Hz) power supply. High-frequency heating is of two types: induction and dielectric.

**Induction heating.** In induction heating, the material is conducting (metals, etc.) and is placed inside a coil connected to a high-frequency source of power; the high-frequency magnetic field induces in the material high-frequency eddy currents which heat it. Because of the skin effect, the induced currents will tend to crowd near the surface; as the frequency is increased, the depth of the currents induced will decrease, thus providing a method of controlling the depth to which an object is heating.

**Dielectric heating.** In dielectric heating, a poor conducting material (plastic, plywood, etc.) is placed between two electrodes connected to a high-frequency source; the arrangement constitutes a capacitor, and an alternating electrostatic field will be set up in the material. (Some slight heating will also be set up from the induction effect described above, depending on the conducting ability of the material.) The alternating field passing uniformly through the material displaces or stresses the molecules, first in one direction and then in the other as the field reverses its polarity. Friction between the molecules occurs and generates heat uniformly throughout the material. Such friction and heat are proportional to the rate of field reversals; hence, the higher the frequency, the faster the heating. Because of heat radiation from the surface, however, the center may be hotter than the outside layers. Residential-type microwave ovens are an application of dielectric heating.

### *Oscillators*

Oscillators are used as the source of high-frequency power required for both induction and dielectric heating. This is an electronic application, and its characteristics and requirements are described in the following section.

### **Electronic Loads**

The electronic load category includes radio, television, x-rays, laser equipment, computers, digital time and timing devices, rectifiers, oscillators for high-frequency current production, and many other elec-

tronically operated devices. In general, these employ electron tubes or solid-state devices such as transistors, semiconductors, etc. Practically all of these devices operate at voltages lower than the commercial power sources and employ transformers or other devices to obtain their specific voltages of operation. They are all affected by voltage variations.

Voltage variations may have a marked effect on electron tubes, affecting their current-carrying abilities or emissions as well as their life expectancy. Because of the reduced life of the heater element and higher rate of evaporation of active materials from the cathode surface, the cathode life of electron tubes may be reduced as much as one-half by only a 5 percent rise in cathode voltage. Industrial-type tubes are normally designed to operate with a voltage tolerance of  $\pm 5$  percent, though closer tolerances are often specified.

While voltage variations also affect the operation of solid-state devices, the effect on their life expectancy is not as serious as in the case of electron tubes. On the other hand, variations in frequency of the power supply have little effect on electron tubes but may have a pronounced effect on solid-state devices.

Both types of devices are very sensitive to voltage dips, and, from the power supply viewpoint, operate at essentially unity power factor. Some applications, such as computers, may require an uninterrupted source of supply, and various schemes are employed to achieve this, including the use of motor-generator sets capable of running on batteries for a limited time; the motor-generator set also eliminates the problems of voltage dips on the commercial power supply.

Except for some rectifier applications, most of these devices operate from single-phase ac supply circuits; large rectifiers may be supplied from three-phase sources.

Oscillators for commercial purposes employ industrial-type electron tubes in conjunction with capacitors and inductances that may be varied to produce the desired high-frequency sources. The regular tolerances in voltage supply from commercial power sources are suitable for this application.

## CONSUMER FACTORS

It is obvious that an individual consumer is not apt to be using all of the electrical devices that constitute his or her "connected load" at the

same time, or to their full capacity. It would evidently be unnecessary to provide facilities to serve such a total possible load, and much more economical to provide only for a probable load, the load creating the demand on the distribution facilities.

### **Maximum Demand**

The actual load in use by a consumer creates a demand for electric energy that varies from hour to hour over a period of time but reaches its greatest value at some point. This may be called the consumer's instantaneous maximum demand; in practice, however, the maximum demand is taken as that which is sustained over a more definite period of time, usually 15, 30, or 60 min. These are referred to as 15-, 30-, or 60-min integrated demands, respectively.

### **Demand Factor**

The ratio of the maximum demand to the total connected load is called the *demand factor*. It is a convenient form for expressing the relationship between connected load and demand. For example, a consumer may have ten 10-hp motors installed; at any one time, some will not be in use and others will not be fully loaded, so that the actual demand may be only 50 hp; the demand factor is 50 divided by 100, or 50 percent.

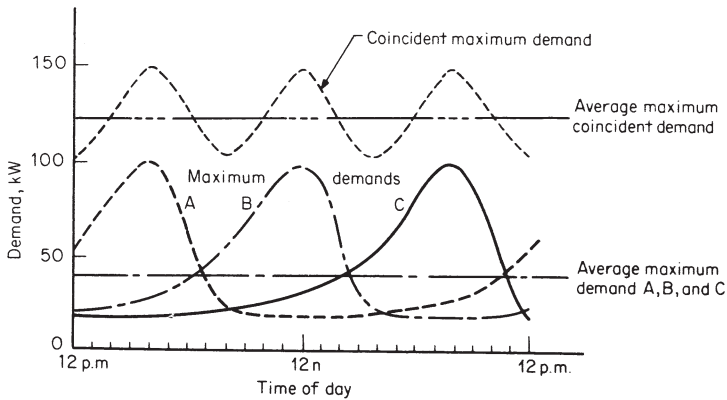
The demand factor differs for different types of loads, and by averaging a large number of loads of each type, typical demand factors can be obtained. These values are important in determining the size of facilities to be installed for a particular service; they are extremely useful in making estimates in planning new distribution systems or in expanding existing ones.

### **Load Factor**

The load factor is a characteristic related to the demand factor, expressing the ratio of the average load or demand for a period of time (say a day) to the maximum demand (say 60 min) during that period. For example, a consumer household may have a maximum demand of 2 kW during the evening when many of its lights, the TV, the dishwasher, and other appliances are in use. During the 24-h period, the energy consumed may be 12 kWh; thus the average demand or load is 12 kWh divided by 24 h, or 0.5 kW, and the load factor in this case is 0.5 kW divided by 2 kW, or 25 percent. This provides a means of estimating particular consumers' maximum demand if both their consumption and a typical load factor for their kind of load are known.

## Diversity

Consumer load diversity describes the variation in the time of use, or of maximum use, of two or more connected loads. Load diversity is the difference between the sum of the maximum demands of two or more individual consumers' loads and the maximum demand of the combined loads (also called the maximum diversified demand or maximum coincident demand). For example, one consumer's maximum demand may occur in the morning, while another's may occur in the afternoon, and still another's in the early morning hours, as shown in Figure 3-1.



**Figure 3-1. Maximum demands and average maximum demands, coincident and noncoincident.**

## Diversity Factor

The diversity factor is the ratio of the sum of maximum demands of each of the component loads to the maximum demand of the load as a whole (or the coincident maximum demand). For example, each of the loads mentioned above may have a maximum demand of 100 kW, while the coincident maximum demand on the system supplying the three may be only 150 kW. The diversity factor is then 300 (100 + 100 + 100) divided by 150, or 2, or 200 percent. Such diversity exists between consumers, between transformers, and between feeders, substations, etc. Note that the *demand factor* is denned so that it is always less than 1 or 100 percent, while the *diversity factor* is the reciprocal of the demand factor and is always greater than 1 or 100 percent. This is a most important factor in the economical planning and design of distribution facilities.

**Coincidence Factor**

The coincidence factor is the ratio of the maximum coincident total demand of a group of consumers to the sum of the maximum demands of each of the consumers.

**Utilization Factor**

The ratio of the maximum demand of a system to the rated capacity of the system is known as the utilization factor. Both the maximum demand and the rated capacity are expressed in the same units. The factor indicates the degree to which a system is being loaded during the load peak with respect to its capacity. The rated capacity of a system is usually determined by its thermal capacity, but may also be determined by voltage drop limitations, the smaller of the two determining the capacity.

**Power Factor**

The ratio of power (in watts) to the product of the voltage and current (in volt-amperes) is called the power factor. It is a measure of the relation between current and voltage out of phase with each other brought about by reactance in the circuit (including the device served). Since facilities must be designed to carry the current and provide for losses which vary as the square of the current, and for voltage drops which are approximately proportional to the current, it is necessary that current values be known. The power factor enables loads and losses designated in watts to be converted to amperes. Transformer sizes, wire and cable sizes, fuses, switch ratings, etc., are all based on values of current they must carry safely and economically.

**CONSUMER CLASSIFICATION**

As aids in planning, consumers may be conveniently classified into certain categories and certain ranges of load densities expressed in kVA per square mile (where this unit is too broad to be useful, watts per square foot for specific occupancies may be used).

Further classifications may be based on such items as the dependence on electric service because of the critical nature of the consumer's operations, under either normal or emergency conditions; the resultant cost if critical processes are interrupted; or the sensitivity of loads to small voltage deviations.

**Table 3-2.**

<b>Residential</b>		
Downtown, apartment buildings, hotels	10 to	50,000 kVA/mi <sup>2</sup>
Urban, suburban:		
Large homes (plots)	1 to	5,000 kVA/mi <sup>2</sup>
Small homes	0.5 to	1,000 kVA/mi <sup>2</sup>
Two-family homes	1 to	5,000 kVA/mi <sup>2</sup>
Rural, including farm loads	Less than 0.1 to	5 kVA/mi <sup>2</sup>
<b>Commercial</b>		
Stores and shopping centers	10 to	500,000 kVA/mi <sup>2</sup>
Office buildings	10 to	500,000 kVA/mi <sup>2</sup>
Service centers, warehouses	10 to	500,000 kVA/mi <sup>2</sup>
Hospitals, nursing homes	1 to	50,000 kVA/mi <sup>2</sup>
Schools, churches, clubs, etc.	1 to	500 kVA/mi <sup>2</sup>
Street and area lighting	1 to	500 kVA/mi <sup>2</sup>
<b>Industrial</b>		
Large manufacturing plants	}	Extremely wide variations; consider them as spot concentrations of loads.
Small manufacturing plants		
Military bases		

**FLUCTUATION IN DEMAND**

There are three main factors that greatly influence the magnitude of maximum demand and the time of its occurrence. The most frequent is the weather as it affects light intensity during daylight hours and temperatures throughout the day and year. The sharpest factor and perhaps that of least duration is special events which result in a temporary slowdown of activities or a greatly increased usage of lighting, radio, and TV and associated increases in water pumping, cooking, and other loads. The largest factor is changes in business conditions accompanied by significant changes in industrial demands and consumption; while much less significant, fluctuations in both residential and commercial consumer demands also follow such changes in business conditions.

The nature, magnitude, and time of these fluctuations are generally unpredictable. Some estimate of them can be gleaned, however, from past experiences, which may vary widely in different areas of the country. Provision for these fluctuations should be taken into account in the planning of distribution systems.

## FUTURE REQUIREMENTS

Good engineering requires that probable future growth of loads be considered in planning. This is usually provided for by spare capacity in the present design of the several elements, or by provisions for possible future additions or alterations, or both of these. Load growth is rarely uniform throughout an area, so that growths in various parts of a system will be different from each other and from that of the system as a whole.

### **Economics**

How far present capacity should provide for future load is largely a question of economics: the cost of carrying excess capacity until it is needed versus the cost of replacing smaller units with larger when it becomes necessary. This is a problem of the future worth of present expenditure, which is affected by fluctuations in rates of interest and inflation. Standard sizes of the materials and equipment involved automatically provide for a limited amount of spare capacity for growth, so that any economic analysis can only be approximate. The relatively large proportion of labor to material in the construction of a distribution system or its parts lends itself to the installation of capacity greater than its immediate need. Such spare capacity incidentally provides a cushion for accommodating some of the unforeseen fluctuations in demands described above.

### **Past Performance**

Data from past performances, such as total system loads, substation loads, and feeder loads, can be used as a basis for estimating such growth. The variations from year to year, or from month to month, can furnish a trend for such growth; separate trends can be developed for different parts or areas. Where such data are nonexistent or patently unreliable, estimates can include a fixed percentage growth above the values on which planning is made.

### **Future Performance**

To obtain some idea of what may occur in the future, it may be well to look back a generation or two. Earlier, consumers' appliances could be contained in a relatively short table. To attempt to list all the electrically operated devices, appliances, and gadgets presently to be found

in homes and commercial establishments would be an almost endless task. To attempt to foretell what may develop in the future would be an exercise in futility.

The advent of widespread air conditioning and space heating, together with the almost universal use of television, not only substantially changed consumers' maximum demands and consumption, but also materially affected loads, diversity, coincidence and (for larger units) power factors, and utilization factors as well.

While the demand factor may indicate how the connected loads are being used, the utilization factor indicates how the capacity of the supply system is being used. Since the capacity of the supply system is determined by its thermal capability, the increased sustained demand on these facilities will lower their thermal capability, and hence the system capability.

The greater use of electronically operated computers will tend to call for narrower limits of voltage control (regulation and flicker) and a greater degree of service reliability by stiffening the supply distribution system, or through the installation of auxiliary equipment owned and maintained by the consumer or rented as another service by the utility; the choice will be determined by future developments.

## VOLTAGE REQUIREMENTS

Electric devices utilizing secondary or low voltage in the United States have been standardized by almost all manufacturers at 120/240 V. While many utilities are following these standards for their systems, there are a significant number operating at 115/230 V and some at 125/250 V (and a small and diminishing number at 110/220 V). For polyphase or three-phase loads, the established ratings are 208 and 416V for wye-connected systems and 240 and 480 V for delta-connected systems. In a few cities, and some downtown and heavy load centers, network systems supply a single-phase voltage of 277 Volts and a three-phase voltage of 480 V. (A few two-phase 115/230 V systems still exist.)

With distribution systems designed for practical voltage tolerances expressed in volts plus or minus in relation to their normal, "standard," base single-phase voltage of 115, 120, and 125 V, voltages of 110 to 130 V can exist at the terminals of the loads (lamps, appliances, etc.). This is a spread of  $\pm 10$  V, or  $\pm 8.3$  percent on a 120-V base, to which a flicker



voltage drop of 3 V, or 2.5 percent, should be added to allow for motor starts. This would then give a total spread of 23 V, or 19.1 percent, from + 8.3 to - 10.8 percent—approximately within most manufacturers' rated maximum tolerances of  $\pm 10$  percent for motors and heating devices. Closer coordination between manufacturers and utilities could do much to improve this situation. Electronic devices are more sensitive to voltage variations, and difficulty may be experienced with their operation at variations of this magnitude.

Some utilities provide for an estimated voltage drop of up to 2 V in the consumer's wiring by specifying normal voltage at the service point 2 V higher than mentioned earlier, i.e., 122 instead of 120 V (117 and 127 V on other bases). Their designs, however, provide for the same high and low voltage limits, but the variations above and below the usual base are unequal, e.g., 128 V high, 122 normal, 114 low. The 23-V spread and—10.8 percent variation mentioned above will be the same.

Not only does satisfactory operation of lights, appliances, and other devices make for good consumer relations, but the effect of high and low voltages (principally because of unity power factor lighting loads) on both revenue and fuel conservation measures should also be considered.

Higher voltages—660 V, 2400 V, and others—are also employed for larger motors, rectifiers, and some other purposes. Consumers using such large voltages are usually served at primary voltages and meet their own utilization voltage standards.

## SERVICE RELIABILITY

Reliability of service generally is interpreted to mean the continuity of service or the lack of interruption to service. For a distribution system, or any of its parts, absolute reliability or continuity of service 100 percent of the time for 100 percent of its consumers is an impossibility, although this goal can be approached. The costs to achieve such goals, even partially, are usually not warranted.

### **Degree of Service Reliability**

As a practical matter, all consumers may not require a uniformly high degree of service reliability. For some consumers, an extremely high degree of service is essential; these may include hospitals, military

establishments, some larger theaters, department stores, apartment buildings, hotels, etc., where the safety of the public is concerned; often auxiliary sources of supply are provided to supplement the utility company supply.

For some other types of loads, a high degree of reliability is desirable but not so essential from the public safety viewpoint; smaller apartments and theaters are examples of these, as well as some manufacturing or service processes where interruption may result in substantial monetary losses. To the average residential or commercial consumer, however, a short interruption (and in some cases even an occasional long one) is more of an inconvenience than a hazard or cause for monetary loss.

As a rule, provisions for higher degrees of service reliability involve higher expenditures, for both additional facilities and increased maintenance. The expenditure to provide reliability should bear some proportion to the degree of reliability needed. Various system designs, outlined in Chapter 2, provide for varying degrees of service reliability, from a simple, unsectionalized radial feeder to a low-voltage secondary network supplied from a multiplicity of primary feeders isolated from each other. Each type of service should produce revenues to justify the additional expenditures for achieving the service reliability desired or required; exception may be made for such public services as hospitals and military establishments.

### **Overhead versus Underground**

In this regard, comparisons between overhead and underground systems should be borne in mind. Overhead systems are generally much less costly but are more vulnerable to the hazards of nature (wind, ice, lightning, flood, etc.) and to the actions of people (vehicles hitting poles, kites, etc.); they are, however, easier to maintain, especially as faults can be more easily located and repaired. Underground systems, generally more expensive and less vulnerable to the vagaries of nature and people, nevertheless require longer times for the location and repair of faults that may occur.

### **Reliability Indices**

Service reliability indices are maintained to measure and obtain trends in the performance of a distribution system and its components. Some of these include number of interruptions per consumer served;

number of consumers affected per consumer served; number of consumer hours of interruption per consumer served; average duration of interruption (hours) per consumer affected; average number of consumers affected per consumer served; and average duration (hours) per consumer served. Further indices are maintained as to causes and duration of interruptions in the several parts of the system, e.g., on the basis of miles of conductor installed, on the miles of circuit, by voltage classification, or by geographic divisions. Compilation and analyses of these data lend themselves to computer application.

**Trends**

The trends, over a period of time, not only measure the effectiveness of system designs (and operating procedures), but also point out areas of need for further improvement of service continuity.

## Chapter 4

# Electrical Design

The electrical design of distribution facilities is based on the loads they are to carry safely and the permissible voltage variations; the final design, however, cannot be divorced from mechanical, economic, and other considerations. Several different designs may serve the same electrical requirements adequately; each, in turn, may be modified by mechanical considerations. The design ultimately selected must reflect economic considerations: specifically, the design that results in the least annual expense in supplying the load or loads in question. This necessarily involves the evaluation of losses, as well as capital, maintenance, and operation expenses. Often, other considerations must also be taken into account including government regulations (at all levels), national and local industry construction and safety codes, taxes, public relations, and some other, intangible requirements.

### SERVICES

Rather than design a separate service for each consumer, it is more practical and economical to determine the capacity and construction requirements on a group basis for different types of consumers. The maximum demand for a consumer group is determined by the connected load, to which a demand factor may be applied. The factor can be an estimate based on observation or a logical analysis of the operations of the several devices comprising the load, or it may be obtained from previous experience. Further, service entrance equipment specified by national and local codes (and often installed by the consumer) has minimum ratings based on the number and kinds of circuits installed within the consumer's premises.

Each group represents consumers whose maximum demands fall within certain ranges, expressed in volt-amperes or kVA, and for which certain conductor sizes are specified, listed in Table 4-1. These values are based on a single-phase three-wire 120/240 V supply via three-conductor self-supporting cable for a 100-ft length, carrying the maximum

**Table 4-1. Service drop specifications: three-wire single-phase 120/240 V supply.**

<i>Group</i>	<i>Maximum demand range, kVA</i>	<i>Ampere range</i>	<i>Conductor size</i>	
			<i>Copper</i>	<i>Aluminum</i>
A	0 to 2	0–20	no. 6	no. 4
B	2 to 5	20–40	no. 4	no. 2
C	5 to 9	40–70	no. 2	no. 0
D	9 to 20	70–150	no. 00	no. 0000

amperes listed and producing a 1 percent voltage drop. Losses at the maximum loads are less than 2 percent. For longer service drops (sometimes in rural areas), these values may be exceeded.

Three-conductor self-supporting service cables are almost always specified because of their appearance and ease of installation as compared to older (now almost obsolete) open-wire-type services; voltage drop for the same load and length is slightly less than for the open-wire type. The sizes of conductors specified are more than ample to support the mechanical stresses imposed on them, even in severe weather conditions.

Local conditions, including varying costs of both labor and materials, rates of growth, and other factors, may substantially change the values shown in Table 4-1. Services for the relatively fewer larger commercial and industrial consumers served at secondary voltages are usually determined individually.

## THE SECONDARY SYSTEM

### Transformer-secondary Combination

The combination of transformers, secondary circuit or main, and the consumers' services makes up the secondary system. Secondary systems are predominantly single-phase, except for larger commercial and industrial consumers, who are supplied from three-phase systems. While the discussion will be limited to single-phase systems, the principles and methods employed in their design will serve for other types of secondary systems.

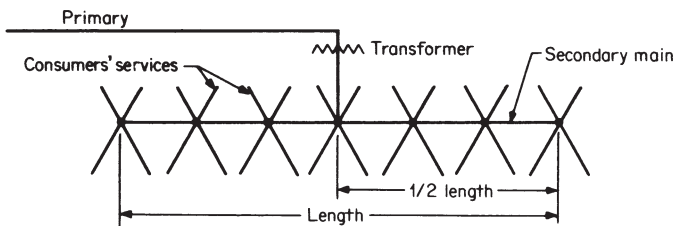
The number of consumers' services and their loads, the voltage drop, the size of conductors, and the spacing and size of transformers

are all variables that are interdependent. They are factors which must be considered in combination to arrive at a satisfactory design. There are many theoretical combinations of these factors that will achieve economical solutions to the problems of design.

For practical purposes, however, these combinations can be reduced to fewer and more manageable numbers. Certain assumptions can be made safely:

1. The load can be considered uniformly distributed along a secondary whose length can be considered fixed. Although not strictly true, this assumption does represent a majority of conditions, but concentrated or scattered loads must be considered separately.
2. The length of secondary circuit is fixed either by geography or by the type of design; e.g., each city block could be fed by one or more secondary circuits. Refer to Figure 4-1.
3. In practice, the number and sizes of conductors and transformers are limited, usually to two or three in number, and to certain standard sizes because of manufacturing, purchasing, stocking, and construction economies.

The problem then is to determine the proper combination of conductor or wire, transformer, and transformer spacing for the least annual cost, using the materials available while providing for satisfactory voltage variations, including flicker. Also, the design should consider not only present loads, but the economics of supplying future loads as well. Computers permit study of a greater number of combinations.



**Figure 4-1. Radial secondary of fixed length and uniformly distributed load.**

**Conductor Size**

It may be well to begin with a determination of the size of conductor. The maximum demand for each of the consumers is known and a coincidence or diversity factor, determined by analyses or from previous experience, applied. Assuming uniformly distributed loads, the loading on each half of the circuit (each direction from the transformer) can be expressed as load density in kilowatts per thousand feet or similar units.

**Voltage Drop**

For determining voltage drop, the load can be assumed to be concentrated at the midpoint of the secondary main between the transformer and the last consumer, i.e., one-quarter of the length of the conductor from the transformer. The total load connected to one-half the circuit is converted into a coincident maximum demand in amperes.

A maximum tolerable voltage drop (to the last consumer) is assumed and divided by the coincident demand in half the circuit, expressed in amperes. The result will give the maximum permissible resistance of the conductor. On the basis of its length (one-quarter of the circuit), the resistance per unit (1000 ft) can be determined. The standard-size conductor whose unit resistance is equal to or less than that calculated can be selected.

This assumes the loads are at or near unity power factor; where this is not so, impedance values based on the spacing between conductors must be used. Also, the drop in one conductor is calculated, which assumes no current in the neutral conductor and a load balanced equally between the two energized or line conductors; where this is not so, voltage drop in the neutral conductor must also be calculated and the greater of the drops in the two line conductors used in selecting the standard-size conductor.

**Losses**

The next step is to determine the loss in the secondary mains. The value of current and the unit resistance of the conductor are known; for the purposes of determining losses, the full load can be considered to be at one-third the distance from the transformer. This approximate value in watts or kilowatts is multiplied by an estimate of the "equivalent hours" duration to obtain the energy losses in watt-hours or kilowatt-hours. This should be multiplied by 4 for the entire length of the two

conductors (neglecting the neutral).

It should be noted that while load curves for a particular period (day, month, year) vary with the value of current, corresponding curves for losses vary with the *square* of the current, even though the curves may have a similar configuration. Like the load factor, a *loss factor* is the ratio of average power loss for a certain period of time (day, month, year) to the maximum loss or loss at peak load (for a stipulated time: 15, 30, or 60 min) during the same period. This value can be determined with sufficient accuracy by analysis of a few typical daily load curves for the period involved. This loss factor always lies between the load factor (for long, sustained peak loads) and the square of the load factor (for short, sharp peaks). The loss factor multiplied by 24 equals the daily equivalent hours.

Returning to the energy losses, in watt-hours or kilowatt-hours, these are evaluated at the system cost per kilowatt-hour (which includes not only fuel costs, but carrying charges on equipment, operating costs, and other overheads). This value is compared with the carrying charges (including maintenance costs and appropriate overheads) on the *installed* cost of the conductors. If the two values are reasonably close, the conductor selected is economically satisfactory, according to Kelvin's law.

### Kelvin's Law

Kelvin's law is generally expressed as follows: The most economical size of conductor is that for which the annual charge on the investment is equal to the annual cost of energy loss.

If these two values are not reasonably close, another size of conductor may be chosen, or the length of the secondary main (and its connected loads and its coincident maximum demand) may be changed; and either process may be repeated until the values of annual charges and annual cost of energy losses are reasonably close.

---

### EXAMPLE 4-1 REFER TO FIGURE 4-1.

Assume that the maximum demand of each consumer is 2 kW and the diversity or coincidence factor is 0.67. The total load on half the length of the conductor is 12 consumers  $\times$  2 kW = 24 kW, or 24,000 W; this divided by (approximately) 240 V equals 100 A per conductor, except the neutral, which carries no current (on the assumption that the load is balanced between line conductors). Assume the total length is 1000 ft.



For a voltage spread of  $\pm 5$  V from the first customer to the last, on a 120-V base, the minimum voltage at the last customer is 115 V; if a 1-V drop in the service is assumed, the voltage required at the last service is 116 V. The maximum voltage at the first consumer is 126 V. The maximum permissible drop in 500 ft of secondary main is  $126 - 116 = 10$  V.

Assume the total load is applied at one-quarter of the length from the transformer; from Ohm's law,

$$R = \frac{E}{I} = \frac{10 \text{ V}}{100 \text{ A}} = 0.10 \text{ ft. or } 0.40 \text{ ft per } 1000 \text{ ft}$$

From Table 9-2 in Chapter 9, the resistance of no. 7 copper conductor is 0.498  $\Omega$  per 1000 ft and its weight is 63 lb per 1000 ft.

For energy loss: Assume the total load (for half the circuit) is applied one-third the distance from the transformer (or 500/3 ft) and the current is 100 A:

$$\text{Loss} = I^2R = 100^2 \times \frac{0.498}{1000} = \frac{500}{3} \text{ } 830 \text{ W or } 0.83 \text{ kW}$$

For the total circuit (neglecting the neutral), multiply by 4, which gives 3.32 kW. Assume a loss factor of 0.75 of the square of the coincident load factor of 0.67, or 0.335.

$$\begin{aligned} 0.335 \times 24 \text{ h} \times 365 \text{ days} &= 2937 \text{ equiv h} \\ \text{Loss} &= 3.32 \times 2937 = 9750.8 \text{ kWh/yr} \end{aligned}$$

Assume a cost of 5 cents per kilowatt-hour, or \$487.54 annually. Then estimate the cost of eight sections of no. 7 copper wire: 63 lb/1000 ft  $\times$  3 at 80 cents per pound, or \$151 for material. Assume the labor cost is \$100 a section; then eight sections at \$100 plus the \$151 for material gives a cost of \$951. Assume an annual carrying charge of 20 percent, or \$190.20. This is less than half the annual cost of the losses.

For the most economical conductor, the cost of losses should approximate the carrying charge of the conductor installed. By examination, the losses can be halved if the resistance of the conductor is halved.

From Table 9-2, no. 4 copper conductor has a resistance of 0.249  $\Omega$  per 1000 ft and a weight of 126.4 lb per 1000 ft.

$$\text{Loss} = I^2R = 100^2 \times \frac{0.249}{1000} \times \frac{500}{3} = 415 \text{ W or } 0.415 \text{ kWh}$$

For the total circuit (neglecting the neutral), multiply by 4 to give 1.660

kW. The loss is 1.660 times 2937, or 4875 kWh per year; at 5 cents per kWh that is \$243.77 a year. Now estimate the cost of eight sections of no. 4 copper wire: 126.4 lb per 1000 ft times 3 at 80 cents a pound amounts to \$303.36 for material; the labor cost of \$100 a section is about the same; then eight sections at \$100 plus the \$303.36 gives a cost of \$1103.36. At an annual carrying charge of 20 percent that amounts to \$220.67 a year. This is comparable to the annual cost of losses, \$243.77.

Improvement in voltage drop is directly proportional to the lowering of resistance; hence,

$$10 \text{ V drop} \times \frac{0.249 \text{ (for no. 7 Cu)}}{0.498 \text{ (for no. 4 Cu)}} = 5.0 \text{ V}$$

This improvement not only will take care of the 3 V additional flicker drop, but will also improve operation of most of the connected devices (and increase revenue). No. 4 copper is apparently the better choice.

### Transformer Size

Having determined the *tentative* size of conductor, the next step is to determine the size of the transformer to be installed. The value of the diversified coincident demand for the loads connected to the secondary main having been determined, the nearest standard-size transformer (in kVA) to the demand (in kW) is tentatively selected. To allow for future growth and not to prejudice the life of the transformer, the size chosen is usually larger than the demand.

The most economical load of a transformer is that for which the annual cost of its copper loss is equal to the annual carrying charges of the transformer *installed* plus the annual cost of the core loss. The core loss can be considered constant regardless of the load carried by the transformer. Values of core loss and transformer resistance, both expressed as percentages at full load, vary with the manufacturer, vintage, size, and other characteristics, and are found in the transformer specifications; core loss is usually a fraction of one percent, while resistance is usually less than 2 percent (reflecting the high efficiency of transformers). Here, too, if the two values are not close, another size of transformer may be chosen, or the secondary circuit may be changed so that two or more transformers supply the load. It may be necessary to review the conductor size and loads for the new resulting circuits.

**EXAMPLE 4-2**

The diversified maximum demand for 20 consumers at 2.25 kW demand each and a load factor of 0.67 is 30 kW. Assume the loads are at or near unity power factor.

The load can be served from one 25-kVA transformer, if the period of overload is not excessive; the next larger standard-size transformer is 50 kVA. From manufacturer's specifications (typical), the no-load loss for the 25-kVA transformer is 0.5 percent of the full load; for 50 kVA, it is 0.4 percent. Resistance as a percentage of full load for 25 kVA is 1.4 percent; for 50 kVA, it is 1.25 percent.

$$\text{No load loss (25 kVA)} = \frac{0.5}{100} \times 25,000 = 125 \text{ W or } 0.125 \text{ kW}$$

$$0.125 \text{ kW} \times 2937 \text{ equiv h} = 367 \text{ kWh}$$

At 5 cents per kilowatt-hour that equals \$18.35 a year.

$$\text{No load loss (50 kVA)} = \frac{0.4}{100} \times 50,000 = 200 \text{ W or } 0.200 \text{ kW}$$

$$0.200 \text{ kW} \times 2937 \text{ equiv h} = 587.4 \text{ kWh}$$

At 5 cents a kilowatt-hour that comes to \$29.37 a year.

*Annual carrying charges:* Assume a cost of \$8 per kVA for 25 kVA and \$6 per kVA for 50 kVA (typical) plus a \$100 installation cost. For 25 kVA,

$$25 \times \$8 + \$100 = \$300$$

The carrying charge of 20 percent comes to \$60.00. For 50 kVA,

$$50 \times \$6 + \$100 = \$400$$

The carrying charge of 20 percent amounts to \$80.00. The total annual carrying charges are:

$$25 \text{ kVA: } \$18.35 + \$60.00 = \$78.35$$

$$50 \text{ kVA: } \$29.37 + \$80.00 = \$109.37$$

*Load loss:* Resistance as a percentage of full load is the same as the loss at full load. For 25 kVA:

$$\frac{1.4}{100} \times 25,000 = 350 \text{ W or } 0.350 \text{ kW}$$

Adjust for a 30-kW load:

$$\left(\frac{30}{25}\right)^2 \times 350 = 504 \text{ W or } 0.504 \text{ kW}$$

For 50 kVA:

$$\frac{1.25}{100} \times 50,000 = 625 \text{ W or } 0.625 \text{ kW}$$

Adjust for a 30-kW load:

$$\left(\frac{30}{50}\right)^2 \times 625 = 225 \text{ W or } 0.225 \text{ kW}$$

Annual cost of losses:

$$25 \text{ kVA: } \quad 0.504 \text{ kW} \times 2937 \text{ equiv h} = 1480 \text{ kWh}$$

At 5 cents a kilowatt-hour the cost is \$74.00.

$$50 \text{ kVA: } \quad 0.225 \text{ kW} \times 2937 \text{ equiv h} = 660.8 \text{ kWh}$$

At 5 cents a kilowatt-hour the cost is \$33.04.

To compare the annual carrying charges to the cost of losses, for 25 kVA, the respective costs are \$78.35 and \$74.00; for 50 kVA, they are \$109.37 and \$33.04.

While the 25-kVA transformer figures are reasonably close and represent the more economical unit, they do so at a probable cost of shortening of life and no provision for future growth. Despite the greater difference, the 50-kVA unit probably should be preferred. As an exercise, different secondary-transformer combinations might be investigated—say, two secondary circuits with two 15-kVA or two 25-kVA transformers, or three secondary circuits with three 15-kVA units.

---

It is obvious that any secondary-transformer configuration represents a compromise. Much depends on the relative costs of material and labor, which may vary widely from time to time and from place to place. Further, other considerations may play a great part in the final determination; e.g., conductor sizes may change to meet mechanical requirements.

### **Future Growth**

To provide for future growth, loads are adjusted upward by a percentage estimated to represent probable increase over a specified period of time. Facilities to serve these increased loads are designed in the same manner described. The difference in investment costs for each design is evaluated in terms of the future worth of the present increment of cost of the additional facilities provided for growth. This is compared to the cost of installing the facilities at the future time. If it is less, it is desirable to provide for the future load at the time of initial installation. If not, provision for future load growth should be dropped, or scaled down to values and timing that will justify some value of additional cost.

To accommodate the load growth, the transformer and conductors can be replaced with larger ones, or more popularly, the secondary circuit can be divided into two or more parts without changing conductors; a suitably sized transformer is then added to the newly formed secondary circuits. Comparison of costs and annual carrying charges dictate the method selected.

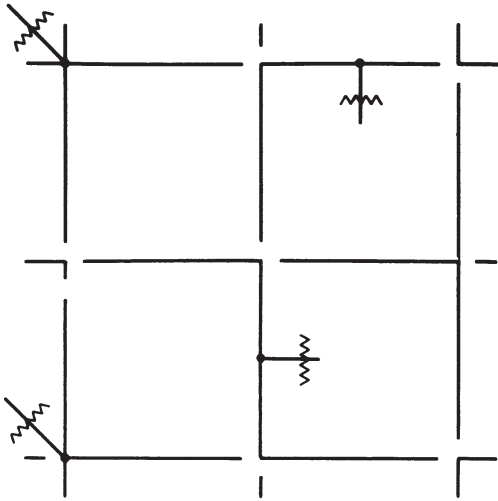
### **Networks**

The analysis described pertains to radial secondary circuits. Where networks are involved, the same principles and methods can be applied by assuming the network to be divided into a number of adjacent radial-type circuits, as shown in Figure 4-2; no appreciable error is introduced.

The general principles and methods applied to overhead single-phase radial-type secondary circuits may be applied to underground circuits and three-phase three- or four-wire circuits by proper adjustment of terms to fit the cases. With underground circuits, the lesser current-carrying capacity of a size of conductor, without overheating, must be taken into account. In network design, the ability to burn clear the conductors in the cable under fault or short-circuit conditions should also be ascertained. These additional considerations may be taken into account after the economic studies are made.

### **Rural Systems**

Where consumers are scattered, such as in rural areas or in the case of three-phase consumers in an area supplied essentially at single phase, the load may be served either by extending the secondary from one transformer or bank of transformers, or by installing a separate transformer or transformers to serve those consumers. Annual carrying



**Figure 4-2. Division of network into radial secondary circuits for design analysis.**

charges, including costs of losses, should be compared in selecting the method of supply.

There are many other problems in the design of secondary systems, but they lend themselves to the application of the same basic principles and methods, with proper consideration given to their particular requirements.

## THE PRIMARY SYSTEM

The primary system comprises the facilities that deliver power from the distribution substation to the distribution transformers. These take the form of one or more distribution feeders or circuits emanating from the substation, each supplying a portion of the entire load served from that substation. The feeders are made up of mains (or trunks) from which branches (or laterals, or spurs) are provided to supply the several transformers serving loads within the feeder's designated area.

### Feeder Mains

The feeder mains are usually three-phase three- or four-wire circuits, and the branches are predominantly single-phase, although they may consist of two or three phases of the three-phase circuit if the loads carried on them are large or require polyphase supply.

Like the secondary circuit, the design of the primary feeder is based on the maximum voltage variation permissible at the farthest consumer. This depends on the size, type, and location of the loads to be supplied, the size of the conductors, and the operating voltage, which may also be limited by local codes and regulations.

### **Conductor Size**

The size of the conductors for the “main” portion of the feeder is usually larger than that of the branches. While a conductor’s size may be reduced as it proceeds farther from the substation because of the smaller load it is normally required to carry, this is seldom done. The size of the conductor of the main near the substation is often carried all the way to its extremities; indeed, it is sometimes made even larger than normal operating conditions would dictate. This not only provides for rapid growth, in which it may be found desirable to divide the load so that the direction of supply may be reversed, but also provides spare capacity to carry all or part of the load of adjacent feeders under contingency conditions. Moreover, the larger conductor size may substantially reduce the voltage variation on this portion of the circuit, permitting greater freedom in the design of the branches. The sizes of wire for both main and branches, as in the secondary system previously discussed, will depend on the voltage variation or regulation desired and on economy, which includes evaluation of losses in the conductors.

### **Sectionalizing**

Provision for moderating the effects of faults on the circuit usually takes the form of fuses and switches. Each of the single-phase branches is connected to the main through a fuse; a fault on the branch will blow the fuse and isolate the fault, leaving the remainder of the circuit intact. A fault on the three-phase main will affect the entire circuit; the size of the conductors may be such that the fault current will be beyond the capability of being safely interrupted by a fuse, and the circuit breaker at the substation is called upon to handle the fault current and disconnect the faulted circuit from the substation bus (which may also supply other circuits). Switches are installed in the main of the feeder, enabling the main to be sectionalized, isolating the fault between two switches or other sectionalizing devices. The unfaulted portion back to the substation is reenergized by closing the circuit breaker at the substation; the unfaulted portion beyond the fault is energized from adjacent sources; the portion

containing the fault will remain de-energized until the fault condition is repaired and the circuit restored to normal operation. Where the feeder main may consist of two or more parts, circuit breakers in the form of "reclosers" may be installed on each of the parts. Refer to Figure 4-3a.

In Figure 4-3b, the primary circuit is formed into a loop; for example, the trunks of two circuits are connected through a circuit breaker to form such a loop, both circuits emanating from the same source. The circuit so formed may then be sectionalized through a number of circuit breakers into a number of sections determined by the distribution engineer. A fault on such a circuit deenergizes only that portion between the two circuit breakers on either side of the fault. The circuit may be further

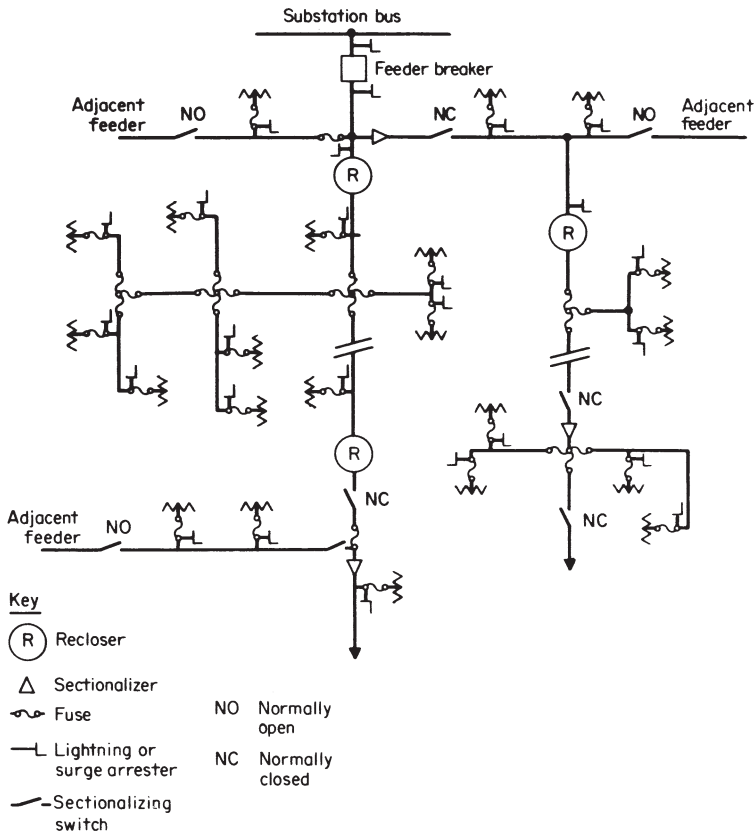
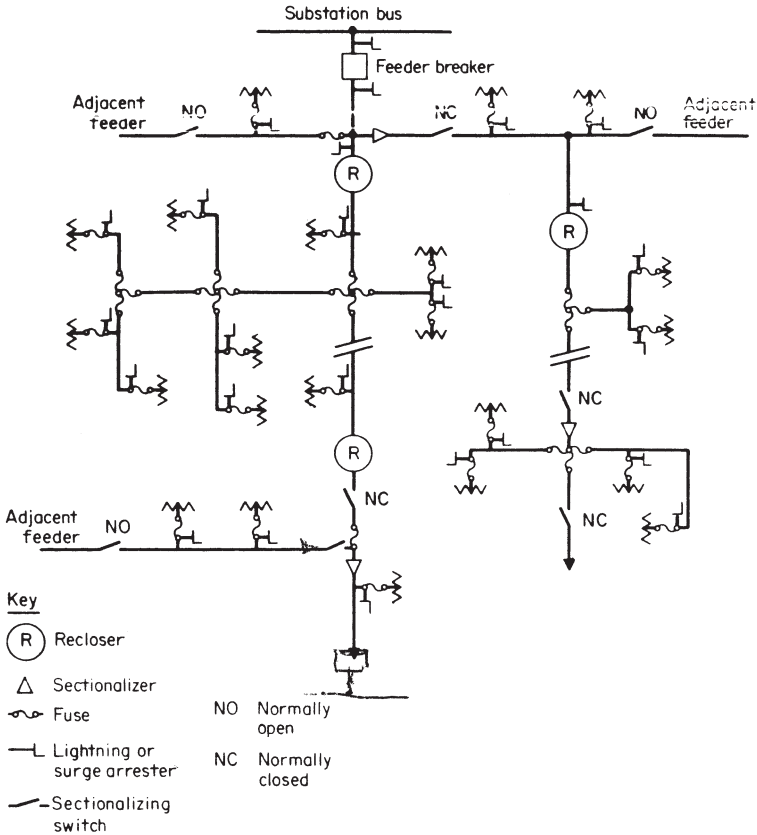


Figure 4-3a. Radial primary feeder showing location of protective devices.

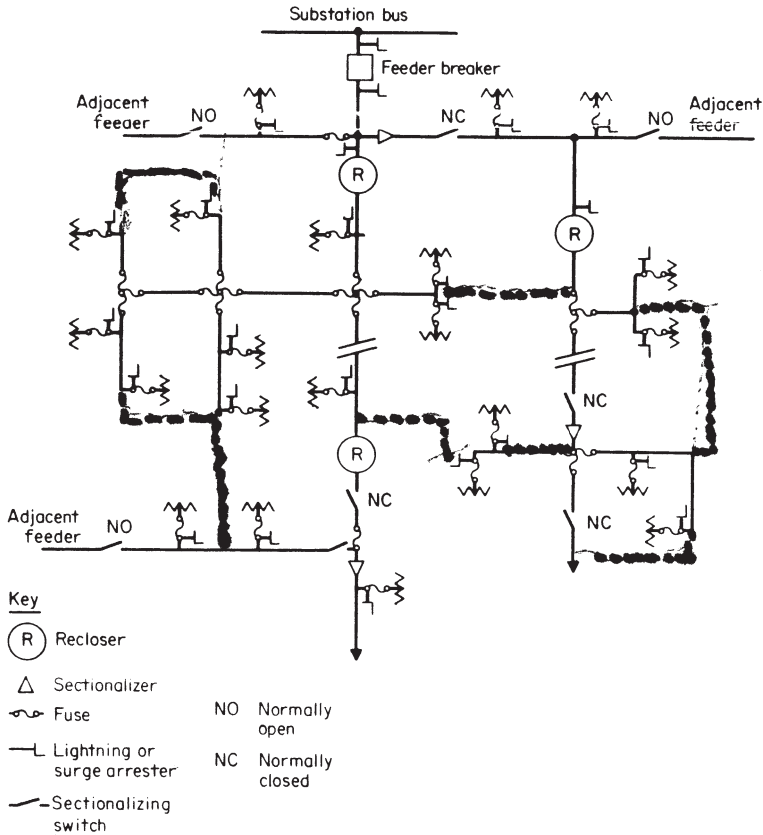




**Figure 4-3b.** The primary circuit is formed into a loop. The trunks of two circuits are connected through a circuit breaker. (See also Figure 2-14, page 25.)

sectionalized by disconnects (operated only on the deenergized section) manually or remotely operated. This allows other now deenergized parts of the circuit to be energized, leaving only a small section between disconnects deenergized until the fault is cleared and repairs made. This is a different form of thinking of how faults should be handled, eliminating the possibility of blackout that exists in the secondary network described above. During this period when sabotage may be of major concern, this mode of supply should be given consideration. (This mode is also applicable to transmission lines for essentially the same reasons.)

Another mode of primary supply for greater reliability is to tie



**Figure 4-3c. Spurs of the circuit are formed into a network where each transformer is fed from two directions into a “radio-mesh” mode.**

the ends of spurs of the circuit into a network as shown in Figure 4-3c. Here each transformer installation is fed from two directions in a sort of “radial mesh” mode. Besides the additional service reliability feature, IR losses may be reduced justifying in part some of the extra expense involved. The reduction in the flow of fault currents because of the now multiple paths may affect the operation of fuses, if any, in the circuit for protective purposes and should be taken into consideration.

Both methods described are less costly than the network described earlier and should be taken into account when comparing plans for a particular installation.

**Reclosers**

Reclosers are designed to open when a fault occurs on that part of the main in which they are connected; a timing device, however, enables them to reclose a predetermined number of times for short durations. If the fault is of a temporary nature, such as wires swaying together or a tree limb falling on them, the recloser will remain closed and service will be restored; should the fault persist, the recloser will remain open and disconnect that part of the main from the circuit.

**Transformer Fuses**

Similarly, a distribution transformer may be connected to the primary main or branch through a fuse. A fault or overload on the transformer or its associated secondary circuit will cause the fuse to blow and disconnect the faulted section from the remainder of the primary circuit.

**Load Balancing**

On polyphase portions of the feeder, on both main and branches, loads are balanced between phases as closely as practical by connecting transformers and single-phase branches to alternate phases of the circuit; this provides a more uniform balancing of loads along the line (contributing to better load and voltage conditions) than would balancing in large blocks of loads. An approximate method multiplies each load by its distance from the substation; the sum of these, uniformly distributed, should be about the same for each phase.

**Operating Voltage**

The selection of the primary operating voltage is probably the factor having the greatest influence on the design of the primary system. It has a direct effect on the length of the feeder and its loading, the substation supplying the feeders and the number of feeders, the number of consumers affected by an outage, and on maintenance and operating practices (which, in turn, affect annual carrying charges). Several voltage levels have evolved into "standard" nominal values of primary voltages: 2400, 4160, 7620, 13,200, 23,000, 34,500, 46,000, and 69,000 V.

**Delta and Wye Circuits**

Many of the older systems employed delta circuits with phase-to-phase voltages approximating 2400 V; as loads increased, it was found economical to convert these into wye circuits with phase-to-phase voltages approximating 4160 V, but with phase-to-neutral voltages remain-

ing at the 2400-V level, permitting the use of the same transformers, insulators, and other single-phase equipment. The wye circuit necessitated a fourth, neutral conductor grounded in many places; later, a single conductor common to both the primary and secondary systems was employed safely, effecting greater economies.

### **Delta to Wye Conversion**

As loads grew and load densities increased, resort was had to higher voltages, making use of subtransmission circuits, a great many of which were delta circuits operating at phase-to-phase voltages of approximately 13,200 V; the wye voltage or phase-to-ground voltage of this level is 7620 V. For the same economy reasons the 13,200-V phase-to-phase delta subtransmission supply circuits to distribution substations were converted to 13,200-V phase-to-neutral wye circuits having phase-to-phase voltages of 23,000 V. Distribution circuits at these higher voltages required fewer substations, whose acquisition in the more developed areas became increasingly difficult. Circuits at these higher voltages also found employment in rural areas where distances between consumers were greater and load diversities lower.

This process continued with the development of distribution circuits operating at 34,500 and 46,000 V from subtransmission lines operating at these voltages. Advantage is taken of taps on transformers supplying these circuits, sometimes as much as 10 percent, in adapting these feeders to distribution requirements. Other voltages, outside the ranges mentioned above, may be found, e.g., 3000, 6600, 8800, 11,000, and 27,000 V.

### **Advantages**

The principal advantages to such conversions from delta to wye systems are:

1. The wye system affords greater feeder capacity and usually improved voltage regulation.
2. Existing transformers, insulators, and other material can be used; in most cases, spacing between conductors is left unchanged.
3. Single-phase branches need not have any work done on them.
4. Existing secondary neutral conductors can be used as the fourth

and neutral conductor in establishing the wye circuit. Where a new neutral conductor is required, it can be installed safely and readily in the secondary position on the pole with no conflict with the higher-voltage energized conductors.

5. The entire circuit need not be converted to the higher voltage at one time, but can be converted piecemeal over a period of time; a portion of the three-phase delta circuit can be maintained from a relatively small step-down transformer (pole-mounted) connected to the new supply three-phase wye circuit.
6. Transformers and other equipment at the substation can be rearranged and reutilized, like those on distribution lines.
7. Where the neutral is grounded at the substation and at many points along the feeder, the voltage stresses on the insulation of the lines, transformers, and other devices are limited to the lowest possible value; should an accidental ground occur on any phase, it will be cleared as the circuit breaker opens.
8. Important savings can be realized in the equipment installed on wye systems: transformers need only one high-voltage bushing; only one cutout and lightning arrester are required (if a completely self-protected transformer is used the cutout can be eliminated); and the single high-voltage line conductor may be mounted on one pin at the top of the pole, eliminating the need for a cross arm (and contributing to a neater appearance of the line).

### **Disadvantages**

There are some disadvantages to the conversions from delta to wye:

1. The load and voltage advantages of the higher voltage apply only on the three-phase main and not on the single-phase branches, as they continue to operate at the existing voltage.
2. A ground on a phase conductor constitutes a short circuit, which will de-energize at least that portion of the circuit. On delta circuits, normally operated ungrounded, one or more accidental grounds on the same phase of the circuit will not cause any interruption to service. (The occurrence of a ground on another phase, however, will create a short circuit between phases, possibly connected together through long lengths of conductors; if

the impedance of the intervening conductors between grounds is large, the fault current flowing to ground may not be sufficient to open the circuit breaker at the substation, and much damage can ensue until its magnitude either causes the circuit breaker to open or the conductors burn themselves clear at some point. A delta circuit may be hazardous, as a worker, unaware of a ground that may exist at a point farther away, may come in contact with an ungrounded phase wire.)

3. Because of the grounded nature of the wye system, greater care, reflected in greater maintenance costs (e.g., greater and more frequent tree trimming), may be required to achieve the same degree of reliability as in a delta circuit.
4. The higher voltage and the many grounds in a wye circuit may cause greater interference to communications circuits that parallel the power circuits.
5. Some local regulations and codes may require greater safety factors in the construction of facilities operating at the higher voltages.

### **Higher-voltage Circuits**

When the need is indicated for a still higher-voltage distribution circuit, major reconstruction and a complete replacement of transformers and other devices is usually necessary. The new higher-voltage circuit is generally designed for immediate wye operation, omitting the intermediate delta operation. In addition to the greater construction costs, additional maintenance and operating costs must be considered in determining the economics of going to higher voltages. Beyond about 15 kV, handling such lines and equipment requires either "live line" tools and methods or the de-energizing of lines and equipment. This latter condition may require additional sectionalizing facilities, including a greater number of extensions between feeders to enable loads to be transferred from the circuit to be de-energized.

The greater load-carrying ability of the higher-voltage primary circuits tends to have them serve larger areas and a greater number of consumers, so that an interruption to an entire circuit will have a greater effect on the area served. Rapid sectionalizing and reenergizing means are therefore more necessary and must be considered in evaluating the service reliability factor in economic studies.

### **Voltage Drop and Losses**

Sizes of conductors of primary circuits are also based on acceptable voltage drop and losses in the conductor and the cost of the facilities; the mechanical requirement may be the decisive factor. The principles and methods given for secondary circuits also apply here.

Branches of the primary circuit may supply from one to a great many transformers. Where only one transformer is involved, voltage drops and losses may be calculated as a concentrated load at the end of the line. Where the branch is relatively long and serves a few transformers widely spaced, these values may be derived from a circuit considered to have a distributed load. Where the length is short, or where a larger, more closely situated number of transformers exist, the circuit may be considered as supplying a uniformly distributed load; the total loads of these transformers can be assumed to be concentrated at a point half the length of the branch (from the tap-off at the main to the last transformer) in calculating the maximum voltage drop, and at one-third the distance (from the tap-off at the main) for calculating losses in the entire length of the branch. For single-phase circuits, the characteristics of the neutral conductor should also be considered. For polyphase branches, each phase and the transformers connected to it may be considered separately; the loads on the separate phases may be considered balanced and the neutral ignored.

Voltage and loss calculations for the three-phase main portion of the feeder may be considered to be concentrated at the tap-off point of the main; these, together with the transformers connected to the main, can be considered as a uniformly distributed load on the main. In some instances, the main may proceed from the substation for a certain length before serving any branches or transformers. In this case, the main can be considered in two parts. The portion to which branches and transformers are connected may be considered to have uniformly distributed load, with voltage and losses calculated accordingly. The untapped portion of the main (from the substation to the first load connected to it) may be considered to be a line with the entire load (the uniformly distributed load mentioned earlier) concentrated at its end (where the first load is connected). The loads may be assumed to be balanced and the neutral neglected. The total voltage drop is the sum of the drops in the two portions of the main; the total losses in the feeder main are also the sum of those in the two portions.

In considering the total annual cost of the primary line for compari-

son with the annual cost of the losses in it, in addition to the cost of the conductors in place, the cost of poles, insulators, switches, etc., must also be included as well as the annual costs of operation and maintenance.

Voltage drops and energy losses are reduced substantially as the applied voltage values increase. For primary circuits, particularly those operating at higher voltages, these values are considerably less than for comparable secondary quantities.

As indicated earlier for secondary systems, the most economical size of conductor for a proposed load (present, future, and contingency) may be determined by an analysis of the annual carrying charges for the system considered and the annual cost of energy losses in the conductor.

### **Conductor Size**

A conductor size, though as near as possible to that indicated by the economic analysis, may still be subject to other considerations. The permissible voltage drop in the several parts of the circuit will determine the minimum size of conductor; if this size is greater than the indicated economical size, economy is disregarded; if smaller, the economical size should be chosen.

The choice of conductor size, however, will not only be limited to those which will carry the load with satisfactory voltage variations, but the size chosen must also be mechanically able to support itself even under unfavorable weather conditions, if overhead, and to withstand installation cable stresses if underground. As a rule, for overhead systems, conductors smaller than no. 6 AWG medium- to hard-drawn copper are not recommended, because of strength limitations, nor are those larger than no. 4/0, because of the difficulty in handling. For underground systems, soft-drawn copper may be used because of its ease in handling; no. 6 or no. 8 is the minimum for reasons of strength as well as load and voltage limitations, and no. 4/0 and 350,000-cmil are the largest sizes that may burn themselves clear under short-circuit conditions; where a conductor larger than these sizes is required, two smaller-size conductors in parallel may be substituted.

As indicated earlier for secondary systems, the sizes of conductors employed for primary (and secondary) circuits should be standardized for any one system, and limited to relatively few in number. Such standardization simplifies, and adds to economy in, their manufacture, purchasing, stocking, and handling in the field.

While the discussion applies principally to radial-type systems, it is



also applicable to primary network systems, the network being divided into a number of adjacent radial-type circuits; the analysis will be very similar to that indicated for secondary networks.

## VOLTAGE REGULATORS

Where the most economical size of conductor results in voltage drops or regulation greater than permissible, alternatives may be considered. These may include the installation of larger-size conductors, or a voltage regulator, or both, economics indicating the selection. Here the economic comparison is based on the annual carrying charges of the conductor installed together with those for the regulator—the energy losses in the regulator and its operating and maintenance costs.

### **Sizes**

Regulator sizes specify the percentage of regulation in definite steps—e.g., 5 percent, 7-1/2 percent, 10 percent, etc.—and hence the size of conductor that will give satisfactory regulation with each size of regulator is determined and the total annual costs for each alternative are compared. These are also compared with the annual costs for conductors that would prove satisfactory without a regulator. The alternative with the least total annual cost is the one preferred.

### **Controls**

The regulator does not reduce the voltage variation along the feeder with which it is associated. It does reduce the voltage spread at the point of supply to that feeder, or a portion of the feeder. Refer to Figure 4-32.

The regulator can be applied at the substation to reduce the supply-voltage spread on individual feeders or on the bus supplying a number of feeders. Unless the feeders are of about the same length and have the same kinds and magnitudes of loads, individual feeder regulators are generally preferred.

Where feeder voltages drop below permissible limits, voltage regulators may be inserted in the primary circuit to correct the condition. They should be located at the point on the feeder where, under full load, the voltage falls below the permissible limit; they are usually located some distance before this point in order to provide for some future increase in the loading of the feeder. Voltage regulators may be

of either the induction type or of the tap-changing-under-load (TCUL) type; these are described in Chapter 12. They may be either single-phase or three-phase units.

### Voltage-regulating Relays

Regulators are usually controlled automatically, though they may be manually operated in association with a voltmeter. In older units (many of which still exist), the element for automatic control is essentially a *contact-making voltmeter*, which makes a contact to cause the regulator to raise the voltage when the voltmeter reads the minimum permissible outgoing voltage, and another contact to lower the voltage when the voltmeter reads the maximum permissible outgoing voltage. In newer units, electronic (solid-state) relays accomplish this function without any moving parts.

### Line-drop Compensators

Where it is desired to regulate or maintain the voltage band at some distance from the source of the distribution feeder (e.g., at the first consumer or at some other point farther out on the feeder), a *line-drop compensator* is used with the contact-making voltmeter. The line-drop compensator is an electrical miniature of the line to the point where the regulation is desired. See Figure 4-4. Resistance and reactance values of the line are calculated and a resistance and reactance proportional to these values are set on the compensator; the line current, through a current transformer, flows through the compensator, producing a voltage drop proportional to that current. This drop is subtracted from the line voltage at the regulator terminals, thus applying at the contact-making voltmeter a voltage (varying with the load) repre-

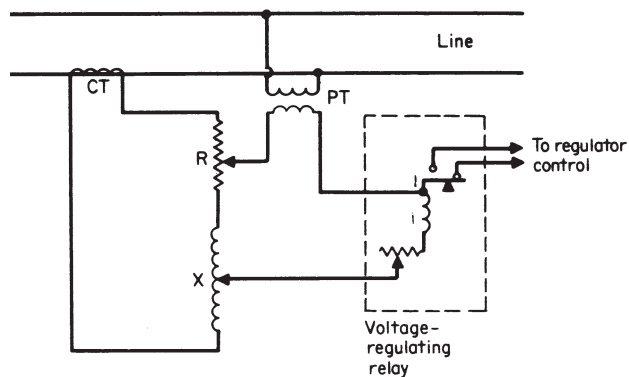


Figure 4-4. Schematic diagram of line-drop compensator and voltage-regulating relay.

senting the voltage at the point of compensation on the feeder. Refer to Figure 4-32.

The point of compensation should be selected so that the consumer farthest from the regulator will have at least the lowest permissible voltage under the heaviest load while the consumer nearest the regulator will have the highest permissible voltage under light-load conditions.

### Networks

Where the regulators (at the substation) control the voltage on feeders supplying a secondary network, steps must be taken to prevent the regulators from becoming "unstable," i.e., some moving to their maximum increase position while others on adjacent feeders move to their minimum positions; this condition can reverse itself and be continuous, creating periodic voltage variations that might be annoying, and creating troublesome circulating currents. This is especially true for three-phase regulators that cause a phase displacement. Mechanical interconnections, *in-phase* regulators, and *phase shifters* are sometimes used to prevent this instability. Where two feeders only are involved, stability can be maintained by using current from one line in the compensator for the other.

On some feeders, a lowering in voltage may be necessary under periods of light load or where other means of raising voltage are employed, such as taps, boosters, and capacitors.

### TAPS

Where voltage improvement can be obtained by some fixed amount which will not cause voltages to exist outside permissible limits during both light and heavy load conditions, taps can be changed on the distribution transformers on certain portions of the feeder.

For example, assuming an evenly distributed load on a feeder, the taps on the transformers in the first third of the feeder from the substation can be changed to lower the secondary voltage a fixed amount; the taps on the second or center third of the feeder may be left on their normal setting; and those on the farthest third of the feeder may be changed to raise the secondary voltage a fixed amount.

The taps on the transformers merely change their ratios of transformation. If the normal ratio is (say) 20 to 1 to give a secondary voltage of 120 V, tap changes on those nearest the substation would result in a 21

to 1 ratio and a voltage drop of approximately 6 V, which, if subtracted from a high permissible voltage of 126 V, will still leave a voltage of 120 V; or put another way, the tap change allows the highest permissible voltage at the substation to be raised 6 V without exceeding the permissible high-voltage limit at the first consumer. Similarly, on those farthest from the substation, tap changes can result in a 19 to 1 ratio and a voltage increase of 6 V, allowing additional voltage drops in the feeder up to 6 V before the permissible low voltage at the last consumer is not met.

## BOOSTERS

An increase or decrease in the primary voltage can also be obtained by the installation of a transformer in the line to provide a fixed voltage drop. A distribution transformer, connected as an autotransformer, may be used to boost or buck the feeder voltage at the point of its installation. The percentage of boost or buck will depend on the ratio of the primary and secondary coils, including the tap used, of the transformer selected. The capacity of the unit is determined by the current-carrying capacity of the secondary coil, through which the entire line current will flow. (Refer to Figure 4-6k.)

The use of a distribution of normal design in this way is usually done in an emergency. It is an unsafe method, as the secondary is connected directly to the primary. For safety reasons, special attention should be given when connecting or disconnecting such units.

## CAPACITORS

Voltage regulation can also be improved by the application of shunt capacitors at the substation, out on the primary feeder, or both. The current drawn by a capacitor has a leading power factor characteristic and will cause a voltage rise from the location of the capacitor back to the current source. The voltage rise will be equal to the reactance of the circuit (back to the source) multiplied by the capacitor current (taking into account their vector relationship). The rise in voltage is independent of the load on the circuit and is greatest at the location of the capacitors and decreases to the source.

Capacitors provide a constant increase in the level of voltage at the

location of the capacitor that is the same under any load condition of the feeder, from light to heavy loading. If capacitors are installed so that they may be switched on during heavy load periods and off at light load periods, voltage regulation can be improved. If a bank of capacitors is so arranged that some of its units can be switched on and off separately, voltage regulation can be improved even further.

### Primary Feeder

When they are installed out on a primary feeder, the capacity of the capacitors (in kVA) and the location on the feeder where they are to be installed depends on the manner in which the loads are distributed on the feeder, the power factor of the loads, the feeder conductor size and spacing between conductors, and the voltage conditions along the feeder. Like the line voltage regulator, capacitors should be installed approximately at the point where the voltage at heavy load is at the minimum permissible level (with some consideration given to load growth). The conditions under light load will determine what portion of the capacitance installed may be fixed and what may be switched.

---

#### EXAMPLE 4-3 Refer to Figure 4-5.

Assume a 7200-V primary, single-phase. The minimum voltage at the last consumer is 108 V (uncorrected), and the minimum voltage at the capacitor point is 115V (under heavy load). Thus the minimum correction required is 7 Volts.

The maximum voltage at the last consumer is 127 V (light-load-corrected), and the maximum voltage at the capacitor point is 128 V (also light-load-corrected). Assume the reactance from the source to the capacitor point is 0.277  $\Omega$ . Then

$$I_C = \frac{E}{X_L} = \frac{8}{0.277} = 28.8 \text{ A} \quad \text{heavy load}$$

and

$$\frac{2}{0.288} = 7.22 \text{ A} \quad \text{light load}$$

$$1 \text{ kVA} = \frac{1000}{7200} = 0.14 \text{ A/kVA}$$

To determine the capacity required to raise the voltage 8 V at heavy load:

$$\text{Capacitor kVA} = \frac{28.8}{0.14} = 206 \text{ kVA}$$

Say eight 25-kVA units.

At light load, the 128 V at the capacitor must be lowered a minimum of 2 V, and the 127 V at the last consumer must be lowered a minimum of 1 V.

To determine the capacity to be disconnected to lower the voltage 2 V at light load:

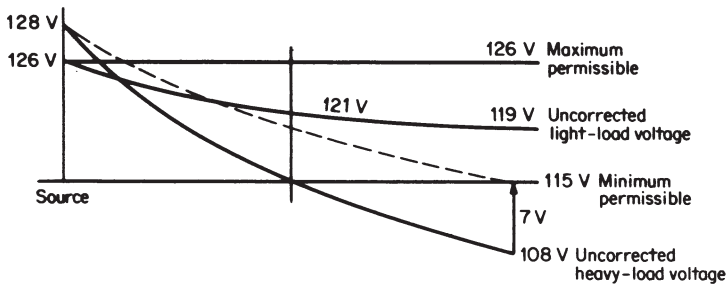


Figure 4-5. Voltage improvement using capacitors.

$$\text{Capacitor kVA} = \frac{7.22}{0.14} = 51.6 \text{ kVA}$$

Say two 25-kVA units.

### Substations

Capacitors may also be installed at substations on the bus supplying the outgoing distribution feeders. They are usually installed in relatively large-capacity banks, and it is usually necessary to switch off portions of them at periods of light load to prevent excessively high outgoing voltage. The voltage drops along the feeders supplied from this substation bus remain the same as do their power factors, since the relationship between the voltage and current flowing through each of the feeders supplying their loads is unaffected by the capacitors added to the substation bus. The voltage level of each of the entire feeders is raised depending on the capacitance added at the substation, but the

voltage spread on each feeder remains the same. In many instances, the principal reason for the capacitors at the substation bus is not necessarily to control the bus voltage, but, by counteracting the effect of induction (or reactance), to reduce the current to that necessary to supply the load at approximately unity power factor, thereby permitting larger loads to be supplied by the same transmission and substation facilities.

### **Series Capacitors**

Capacitors can also be installed in series with primary feeders to reduce voltage drop, but they are rarely employed in this fashion. Where shunt capacitors, connected in parallel with the load, correct the component of the current due to the inductive reactance of the circuit, series capacitors compensate for the reactive voltage drop in the feeder.

A capacitor in series in a primary feeder serving a lagging-power factor load will cause a rise in voltage as the load increases. The power factor of the load through the series capacitor and feeder must be lagging if the voltage drop is to decrease appreciably. The voltage on the load side of the series capacitor is raised above the source side, acting to improve the voltage regulation of the feeder. Since the voltage rise or drop is produced instantaneously with the variations in the load, the series capacitor response as a voltage regulator is faster and smoother than the induction or TCUL-type regulator; moreover, no contact-making voltmeter and load compensator are required for its operation.

During fault conditions, however, the large fault current passing through the series capacitor can develop excessive voltage across the capacitor, sufficient to cause its destruction. It is essential, therefore, that it be taken out of service as quickly as possible. A resistor and air gap are connected between the terminals of the series capacitor. When the voltage becomes sufficiently high, the gap breaks down and permits the capacitor to be short-circuited through the resistor; the resistor dampens out any oscillatory discharge current so the gap can break down and restrike repetitively without damaging the capacitor. Auxiliary relays operate to short-circuit and bypass the capacitor if the fault persists.

Because of the potential hazard, series capacitors as voltage regulators are usually restricted to supplying single large consumers where flicker may result from frequent motor starts or from electric welders, furnaces, and similar devices that may cause rapid and repetitive load fluctuations.

## REACTORS

### Primary

Where relatively high-voltage primary feeders (23-kV and above) operate in metallic sheathed cables and are rather long, the capacitance effect of the cable may cause undesirable voltage rises along the feeder. Reactors connected between the primary conductors and the neutral or ground are inserted in the feeder at appropriate points to hold customer voltages within permissible limits; shunt reactors act in a similar fashion as shunt capacitors.

### Secondary

Where two or more transformers supply a common load, the transformers may not share the load equitably. This may be due to differing secondary voltages at the transformers' terminals either because the primary feeder voltages are different, or because the transformers have different impedances. Reactors inserted in the secondary leads of one or more of the transformers are installed in an effort to equalize the voltages and make the transformers share the load equitably. This phenomenon is often evident in low-voltage secondary networks, and especially in "spot networks." In this latter case, the terminals of the reactor coil of one transformer are interconnected to those of another transformer with the leads reversed. Hence, the voltage drop in each of the reactances is added to or subtracted from the several secondary voltages, tending to balance the load among the several supply transformers.

## TRANSFORMERS

Transformers play a central part in the design of distribution systems; they reduce the high voltage of the primary to the low utilization voltage of the secondary. As with other elements of the distribution circuit, the energy losses and the drop in voltage due to the current flowing through them to supply loads are factors in the selection of the size and location of transformers.

### Losses

Energy losses in a transformer are generally of two kinds:

1. No-load loss (also known as iron or core loss) results from the mag-



netizing or exciting current flowing in the primary coil regardless of the load carried. Its value of about 0.5 percent at rated full load may vary substantially at voltages above or below rated values. Although small as a power loss, it goes on constantly, accumulating into significant annual energy losses (in kilo-watt-hours).

2. Full-load losses (earlier known as copper losses) result from the load current passing through the resistance of both primary and secondary coils. This  $I^2R$  loss varies with the square of the current carried and therefore depends on the shape of the load curve. Since the current flowing in a circuit is inversely proportional to the voltage, the copper loss is inversely proportional to the square of the voltage; hence, for the same-size transformer, the losses in the primary coil are substantially less as the voltage ratings increase.

No-load and full-load losses for the various sizes of transformers vary with different manufacturers and are usually specified by them in some percentage of normal voltage and full-load ratings. No-load losses may be expressed in watts or as a percentage of the full rated load in watts.

### Impedance—Resistance and Reactance

Copper losses, as well as voltage regulation, require that resistance and reactance values (and their vector sum, impedance) of the transformer be known. These three values represent both primary and secondary coils of the transformer. They are usually specified by the manufacturer as a percentage related to the percentage voltage drop. That percentage gives a value in volts when applied to either primary or secondary voltage; from that voltage and the full rated current the values in ohms may be derived.

The percentage impedance given for a transformer represents (and is equivalent to) the percentage drop from normal rated primary voltage that would occur when full rated load current flows in the secondary; thus the percentage impedance can be used to determine the impedances (in ohms) of the primary and secondary as follows. In reference to the primary,

$$Z_p = \frac{\% Z_p}{100} \frac{E_p}{I_p}$$

and in reference to the secondary,

$$Z_s = \frac{\% Z_s}{100} \frac{E_s}{I_s}$$

where  $I_p$ ,  $E_p$ ,  $I_s$ , and  $E_s$  are all full rated load-current values. Since  $E_p = nE_s$ , where  $n$  is the transformer turn ratio,

$$\frac{Z_p}{Z_s} = \left( \frac{E_p}{E_s} \right)^2 = n^2$$

The relationship between resistance  $R$ , reactance  $X$ , and impedance  $Z$ ,

$$Z^2 = R^2 + X^2$$

applies whether the quantities are in percentages ( $\% Z$ ,  $\% R$ ,  $\% X$ ), in ohms referred to the primary ( $Z_p$ ,  $R_p$ ,  $X_p$ ), or in ohms referred to the secondary ( $Z_s$ ,  $R_s$ ,  $X_s$ ). Since the percentage impedance and the percentage resistance for a given size of transformer are specified by the manufacturers, the percentage reactance may be computed:

$$\% X = \sqrt{(\% Z)^2 - (\% R)^2}$$

and the percentage resistance and percentage reactance can be reduced to ohms, referred to either the primary or the secondary side of the transformer:

$$R_p = \frac{\% R}{100} \frac{E_p^2}{\text{transformer kVA} \times 1000} \quad \text{ohms}$$

$$R_s = \frac{\% R}{100} \frac{E_s^2}{\text{transformer kVA} \times 1000} = \frac{R_p}{n^2} \quad \text{ohms}$$

$$X_s = \frac{\% X}{100} \frac{E_p}{\text{transformer kVA} \times 1000} \quad \text{ohms}$$

$$X_s = \frac{\% X}{100} \frac{E_s^2}{\text{transformer kVA} \times 1000} = \frac{X_p}{n^2} \quad \text{ohms}$$

The copper loss  $W$ , in watts at full load, is caused by the current passing through the resistance of the windings. Thus,

$$W = R_p I_p^2 = R_s I_s^2$$

Since the manufacturer specifies the copper loss, the equivalent resistance can be computed:

$$R_p = \frac{W}{I_p^2} \text{ and } R_s = \frac{W}{I_s^2} \text{ and } \frac{R_p}{R_s} = \frac{I_s^2}{I_p^2} = n^2$$

### Voltage Drop

The determination of voltage drop through the transformer employs values of impedance, resistance, and reactance, as indicated in the previous discussion of primary and secondary systems. The drop must be referred to either the primary or the secondary side:

$$\text{Voltage drop (primary)} = I_p(R_p \cos \theta + X \sin \theta)$$

where  $I_p$  is the load current and  $\cos \theta$  the power factor.

$$\text{Voltage drop (secondary)} = I_s(R_s \cos \theta + X \sin \theta)$$

$$\frac{\% \text{ voltage drop}}{100} = \frac{\text{voltage drop (primary)}}{\text{rated primary voltage}} = \frac{\text{voltage drop (secondary)}}{\text{rated secondary voltage}}$$

These same phase-to-neutral values of  $Z$ ,  $R$ , and  $X$  can also be employed in polyphase circuits. Since phase to phase voltage (for a three-phase circuit) is  $\sqrt{3}$  times the phase-to-neutral value and the voltage value in the equation is squared, the ratio between phase-to-phase and phase-to-neutral characteristics is 3 to 1. If the transformer kVA value is the three-phase total kVA and  $E_p$  is the phase-to-phase voltage,

Phase-to-phase:

$$R_p = \frac{\% R}{100} \frac{E_p^2 \times 3}{3\phi \text{ kVA} \times 1000} \quad \Omega$$

$$X_p = \frac{\% X}{100} \frac{E_p^2}{3\phi \text{ kVA} \times 1000} \quad \Omega$$

$$Z_p = \frac{\% Z}{100} \frac{E_p^2}{3\phi \text{ kVA} \times 1000} \quad \Omega$$

Phase-to-neutral:

$$R_p = \frac{\% R}{100} \frac{E_p^2}{3\phi \text{ kVA} \times 1000} \quad \Omega$$

$X_p$  and  $Z_p$  will use the same expressions as for single-phase values, but with total three-phase transformer capacity in kVA.

Transformers connected in parallel or in banks should have impedances as nearly the same as possible, within a fraction of a percent. Transformers not having essentially the same impedance when in parallel will not divide the load in proportion to their ratings, and when in wye or delta banks they will cause circulating current to flow that reduces the capacity of the transformers, increases losses, and results in excessive heating.

Transformers supplying radial secondary circuits, whether single-phase or in banks, have a reactance of from 3 to 5 percent, which results in reasonable voltage regulation. Transformers supplying low-voltage secondary networks have a higher reactance, sometimes as high as 10 percent, to ensure a better load division among the transformers, particularly under contingency conditions when one (or more) of the supply feeders may be out of service.

### Transformer Connections

Transformer connections were already described in Chapter 2, together with some vector diagrams of current and voltage relationships; Figure 4-6a through *k*, in which connections involving transformer polarity are shown, also portray those most apt to be found on distribution systems.

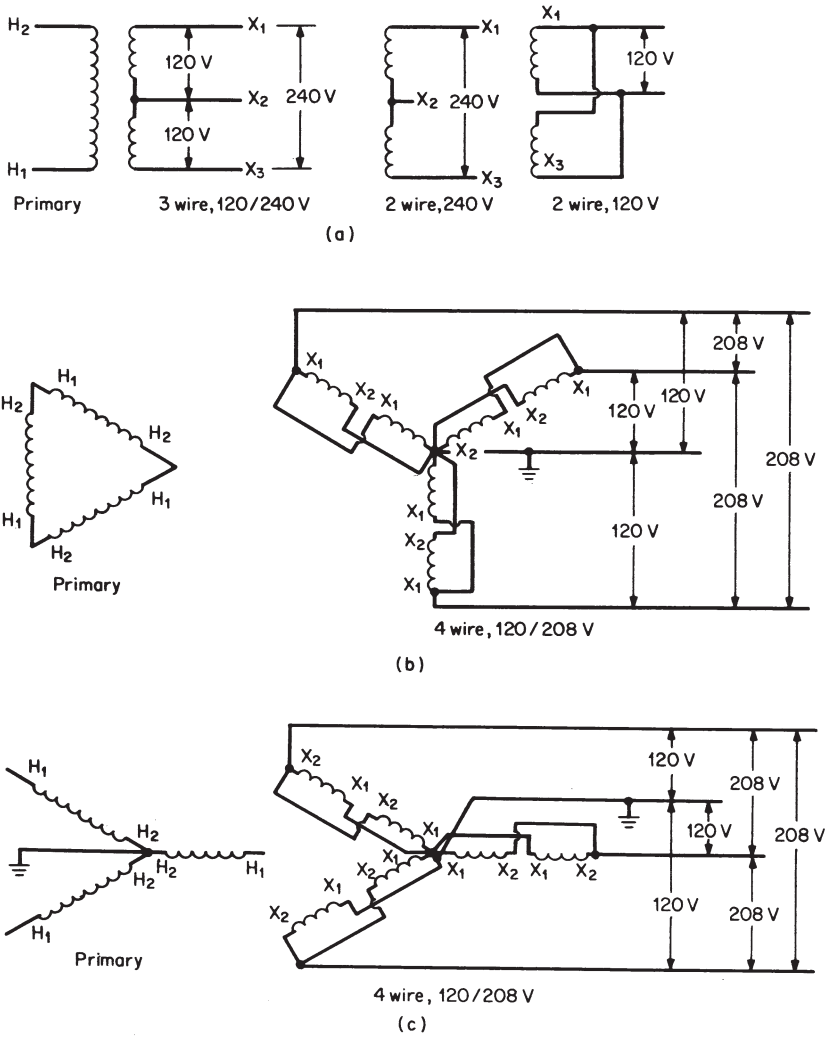
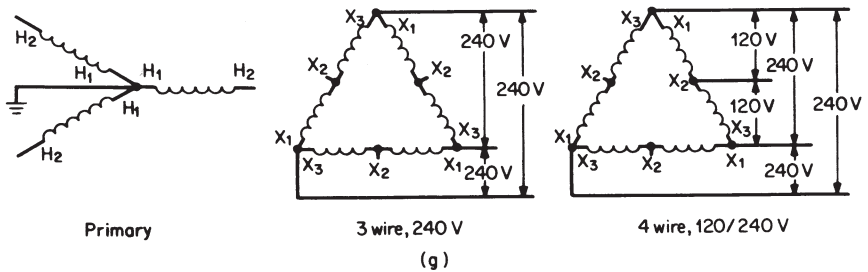
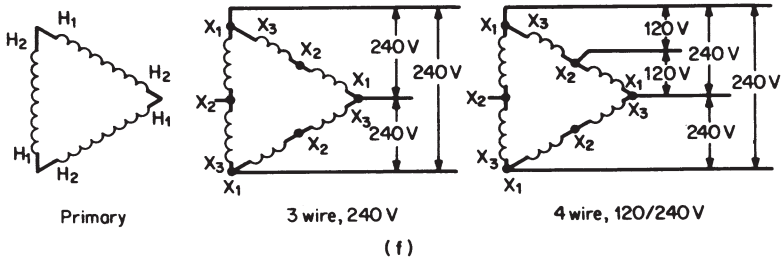
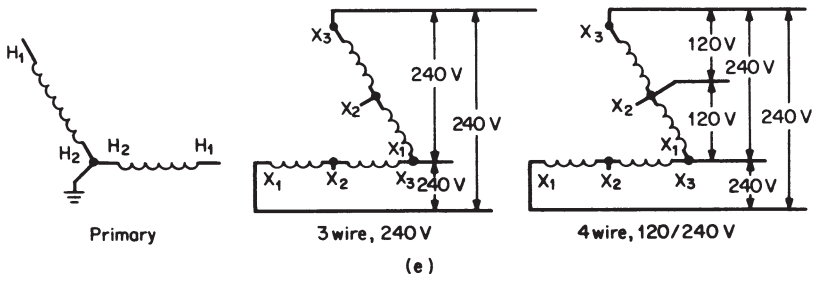
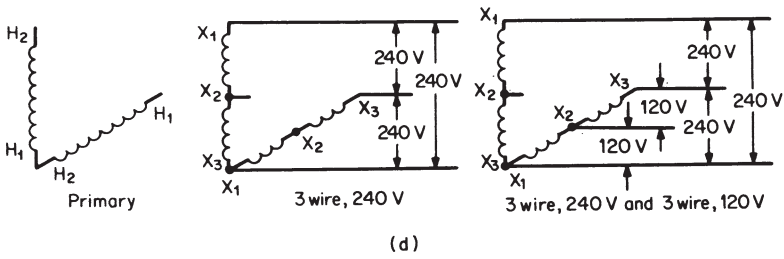


Figure 4-6. (a) Single-phase two- and three-wire secondary connections. (b) Three-phase delta-to-wye four-wire secondary connections, (c) Three-phase wye-to-wye four-wire secondary connections. (d) Three-phase open delta three- and four-wire secondary connections. (e) Three-phase open-wire secondary connections. (f) Three-phase delta-delta three- and four-wire secondary connections. (g) Three-phase wye-delta three- and four-wire secondary connections.



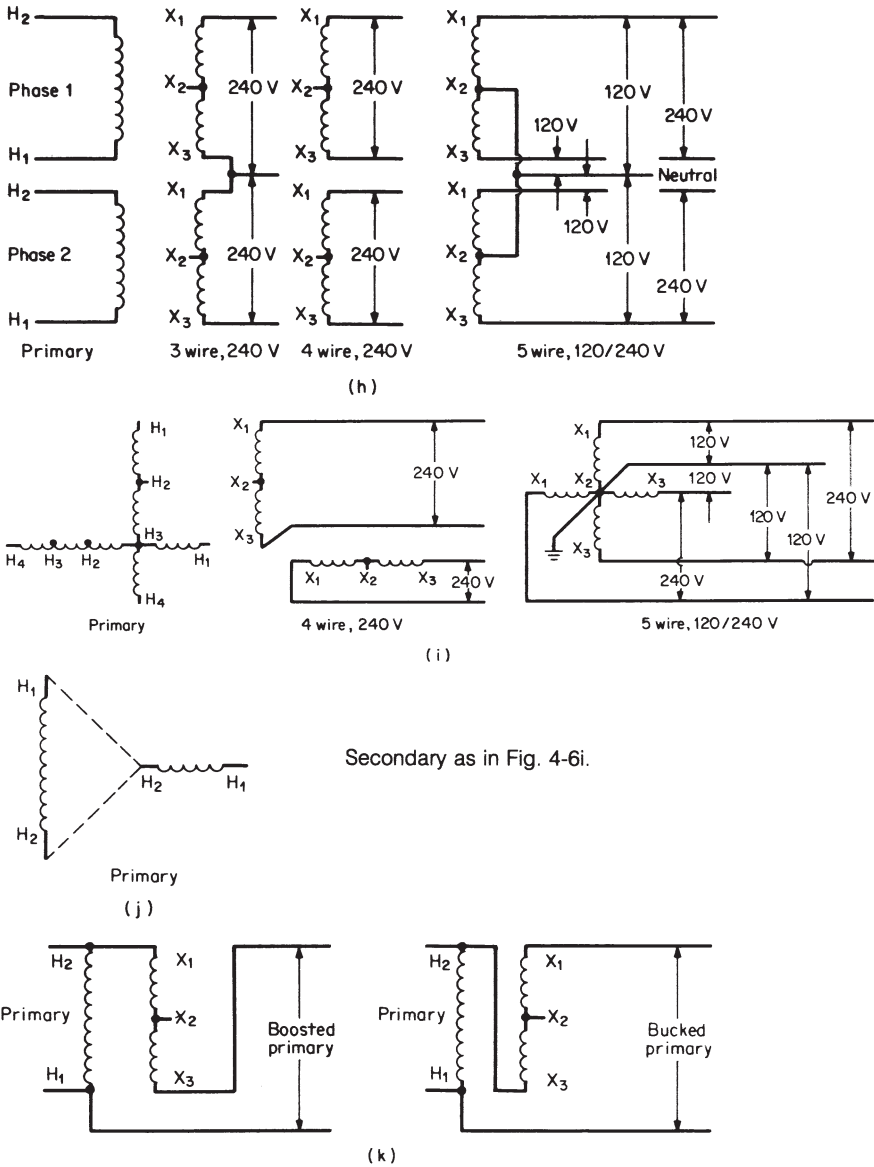


Figure 4-6. (h) Two-phase three-, four-, and five-wire secondary connections. (i) Three-phase/two-phase (or vice versa) four- and five-wire secondary connections (also known as the Scott connection). (j) Three-phase/two-phase (or vice versa) four- and five-wire secondary connection. Secondary connections same as for Figure 4-6i. (k) Single-phase boost-buck primary connections.

### *Single-phase*

The standard single-phase distribution transformer is generally designed with the secondary coil in two parts, which may be connected in parallel for two-wire 120-V operation, or in series for three-wire 120/240 V operation. The latter is the most commonly used connection for single-phase distribution systems. The load is balanced between two 120-V circuits; with perfect balance, no current flows in the center or neutral wire. Refer to Figure 4-6a.

### *Three-phase*

For three-phase systems, the wye-connected secondary can serve single-phase loads at 120 V for each phase; when the load is balanced, the neutral will carry no current. This connection can also supply three-phase power loads at 208 V between phases, and it is best adapted for use on secondary networks. It does have the disadvantage of a lowered three-phase (208 V) voltage supply to three-phase motors with standard ratings of 240 V; the 32-V difference, or 13.3 percent, below the rating may affect the operation of the motors. To remedy the situation, the secondary voltage is often raised to 125 V, yielding about 217 V between phases or about only 10 percent less than the standard 240-V rating, more likely to be within the design tolerances for satisfactory operation. See Figure 4-6b and c.

The primary supply to this four-wire wye secondary connection can be either delta- or wye-connected; in the latter case, the wye is usually grounded to prevent voltage unbalances from unbalanced secondary loads from distorting phase relationships. Often, further economy is achieved if both the primary and secondary circuits employ a common neutral conductor.

Small amounts of three-phase power loads may be supplied on a chiefly single-phase system by a small-diameter-conductor extension of another phase and the installation of a small-capacity single-phase transformer in an open-wye or open-delta bank (on the primary side) with the principal single-phase transformer. The secondary of this second single-phase transformer is connected in an open-delta configuration with the secondary of the principal transformer, providing a small three-phase delta power supply to the small three-phase requirement. Because of the phase relationship of the voltage and current, however, only 86 percent of the capacity of this second, small single-phase transformer can be utilized. This is an economical method of supplying a small,



isolated three-phase load in the midst of an area supplied from single-phase facilities. See Figure 4-6d and e.

### *Two-phase*

Although two-phase systems are virtually extinct, there are still some two-phase power loads in existence. These may be supplied from three-phase delta or wye systems through proper connections of two single-phase transformers. Two such connections are shown in Figure 4-6h, as are those for three-phase to two-phase (and vice versa) in Figure 4-6i and j.

### *Boost-Buck*

Earlier, reference was made to the use of single-phase transformers to boost or buck the line voltage of a primary feeder. Here, the primary and secondary of the transformer are connected in series, essentially operating as an autotransformer. The incoming primary coil is connected across the primary circuit, while the outgoing primary is connected between a common terminal of the primary of the transformer and the terminal of the secondary coil; the voltage of the secondary coil is either added to boost the primary voltage or subtracted to buck it. The capacity of the secondary coil limits the primary current that may flow through it. These connections are also shown in Figure 4-6k.

## **Three-phase Units**

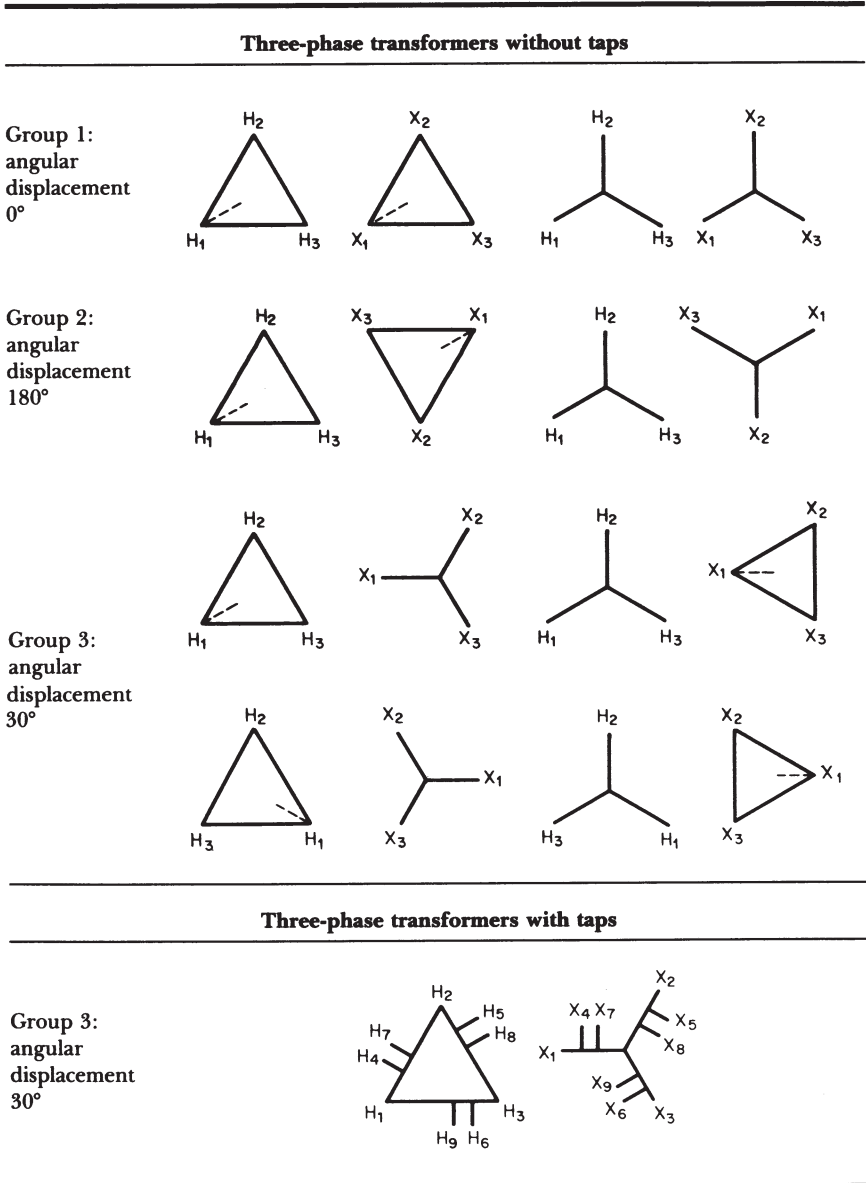
Connections for three-phase transformers and lead markings are shown in the IEEE classification of polarities illustrated in Table 4-2.

## **Autotransformers**

Under certain conditions, when the ratio of transformation desired is low, usually not greater than about 5 to 1, and electrical isolation between primary and secondary circuits is not essential, the autotransformer has some advantages.

The autotransformer consists of one winding, a part of which may serve as both primary and secondary. In a two-winding transformer, all of the energy is transformed by magnetic action. In the autotransformer, a portion only is transformed magnetically and the remainder flows conductively through a part of its windings. Since only a portion of the energy is transferred, the autotransformer can be smaller than a two-winding unit; comparable costs of the unit and its installation are less.

Table 4-2. IEEE classification of polarities of three-phase transformers.

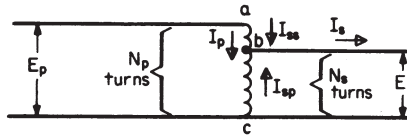


Courtesy General Electric Company

Also, the losses from currents flowing through it are lessened, resulting in greater efficiency and improved voltage regulation.

A schematic diagram is shown in Figure 4-7. Voltage, current, and turn relationships are indicated. The same ratio of transformation exists as in a two-winding transformer:

$$\frac{N_p}{N_s} = \frac{E_p}{E_s} = \frac{I_s}{I_p}$$



**Figure 4-7. Autotransformer.**

The figure shows a step-down arrangement of the voltage from  $E_p$  to  $E_s$ ; reversing  $E_s$  and  $E_p$  will give a step-up arrangement. The current in the coil from  $a$  to  $b$  is the sum of the exciting current  $I_p$  and the non-transformed, relatively large conductive current  $I_{ss}$ . This part of the coil,  $a$  to  $b$ , must be a sufficiently large conductor to carry this load, whereas the portion from  $b$  to  $c$  carries only the magnetizing current and hence can employ smaller-size conductors.

The percentage of volt-amperes transferred and the percentage of voltage transformed are the same (using the high voltage as a base). For example, if the autotransformer lowers the voltage 5 percent, it actually transforms only 5 percent of the volt-amperes supplied the load. Since the size of the autotransformer depends on only the volt-amperes transformed, the size of the unit can be only 5 percent of the load; if the load supplied is 100 kVA, the size of the autotransformer required would be 5 kVA.

As the ratio of transformation increases, the autotransformer becomes less and less economical until, at about 5 to 1, its advantages no longer apply. A larger and larger part of the coil would require a larger conductor and heavier insulation, since both portions are connected electrically.

The electric connection between the incoming and outgoing circuits is a disadvantage, as a disturbance on one side affects the other. For example, a ground on either circuit is a ground on both, and a ground on

the high-voltage side may impose a high voltage on the low side and on the loads connected thereto. The low-voltage side may be insulated to withstand the higher voltage, but the connected loads may not be so protected.

The autotransformer generally has a comparatively lower impedance, which may cause greater fault currents to flow through it during a contingency. The autotransformer, therefore, must be built very ruggedly to withstand the greater mechanical stresses produced, or else external impedances should be connected in the circuit to limit the magnitude of the fault currents, or both should be done in some combination.

Autotransformers may be used on both single-phase and poly-phase circuits, as indicated previously. Voltage regulators of both the induction and TCUL types are autotransformers in principle.

### **Ratings and Temperature**

The rating of any piece of electrical equipment is limited by the maximum permissible temperature in any of its components. For transformers, an additional consideration is the permissible voltage drop through the unit.

The maximum temperature generally accepted is that beyond which the insulation is apt to be damaged. Standards set by engineering and manufacturing groups specify an allowable temperature rise of 55°C above an ambient of 40°C, based on the average temperature of the windings; allowing a 10°C difference between “hot spot” and average temperatures in the windings, a maximum temperature of 105°C is indicated. This value is well below the temperature at which insulation fails, providing a large factor of safety.

Transformers are rated in volt-amperes (or kVA) rather than watts. Since the characteristics of the circuit and its loads affect the power factor of the power being transformed, a poor power factor can cause a large current flow in the coils of the transformer, producing losses and heat, with relatively little actual power delivered. The rating that takes into account the current flow and the voltage applied is the volt-ampere rating.

The rating is based on the current the transformer will carry *continuously* without exceeding the temperature rise limitations. In selecting a transformer to accommodate a load, other factors besides the maximum value of the load must be taken into consideration. Load duration and cyclic variations; the variations in ambient temperatures, especially because of latitudes and seasons; weather patterns of rain, snow, and ice;

the age and condition of the transformer and its components—these are all factors that influence how much a transformer may be loaded with respect to its rating. Moreover, since transformers are not tailored to fit the load but are manufactured in standard sizes, there is normally a margin of transformer capacity available for supplying loads above the rating of the transformer for short periods of time.

### **Transformer Sizes**

Standard sizes of distribution transformers change from time to time as economics and situations change. Kilovolt-ampere capacities presently in greatest use include:

Single-phase units: 10, 25, 37-1/2, 50, 100, 167, 250, 333, and 500 kVA.

Older units that still exist in service include 1, 1-1/2, 3, 5, 7-1/2, 15, 75, 150, and 200 kVA.

Three-phase units: 75, 150, 300, 500, 1000, and 3000 kVA. Other, older units still in service include 5, 7-1/2, 10, 15, 25, 50, 100, 200, and 450 kVA.

### **Voltage Ratings**

Standards of voltage ratings, on both the primary and secondary sides, as well as the numerical and percentage voltage variations above and below nominal voltage ratings, are specified in the selection of taps included in the primary winding of the transformer; these, too, are subject to revision from time to time in response to changing requirements.

## **SUBSTATIONS**

### **Location versus Distribution Voltage**

Perhaps the first consideration regarding a distribution substation is its location. In general, it should be situated as close to the load center to be served as practical. This implies that all loads can be served without undue voltage regulation, including future loads that can be expected in a reasonable period of time. The difficulty in obtaining substation sites is an important factor in selecting the distribution voltage, both in original designs and in later conversions.

The higher the distribution voltage, the farther apart substations

may be located, but they also become larger in capacity and in the number of customers served. Thus, the problem of the number and location of distribution substations involves not only the study of transmission and subtransmission designs, but more emphasis on service reliability and consideration of additional costs that may be justified. The subjects of sectionalizing, field-installed voltage regulators and reclosers, capacitors, and ties to adjacent sources are discussed elsewhere, but are pertinent to the problem.

### **Supply Feeders and Circuit Breaker Requirements**

The number and sources of supply subtransmission feeders to the distribution substation will depend not only on the load to be served, but also on the degree of service reliability sought. Some rural substations may be supplied from only one subtransmission feeder, while substations serving urban and suburban areas have a minimum of two supply feeders and may have several more. Each additional incoming feeder, however, adds to the bus and switching requirements, including auxiliary devices for their protection, all of which add to costs.

### **Circuit Breaker Arrangements**

Some basic arrangements of incoming high-voltage circuit breakers and transformers are shown in Figure 4-8. Each scheme progressively adds to the reliability of service to the substation and the loads it supplies. For example, in scheme *a*, a failure on the transmission line or substation transformer or bus will trip the breaker back at the transmission source, and service may not be restored until the fault is *found and repaired*; in scheme *b*, such failures will trip the circuit breaker but service can be restored as soon as the fault is *isolated*; in schemes *c*, *d*, *e*, *f*, and *g* (the last incorporating a ring bus), failures on the incoming transmission lines, transformers, or high-voltage circuit breaker will not interrupt (except for a short time or momentarily) the supply to the bus serving distribution feeders. Since the cost of high-voltage circuit breakers, together with their accessories, is often as great as or greater than the cost of the transformers with which they may be associated, it is essential that the cost of additional circuit breakers not outweigh the protective advantages gained. It may prove desirable that a minimum number of circuit breakers be installed initially and others added as deemed necessary for any improvement in service reliability that time, increments of load, and customers' requirements may indicate.

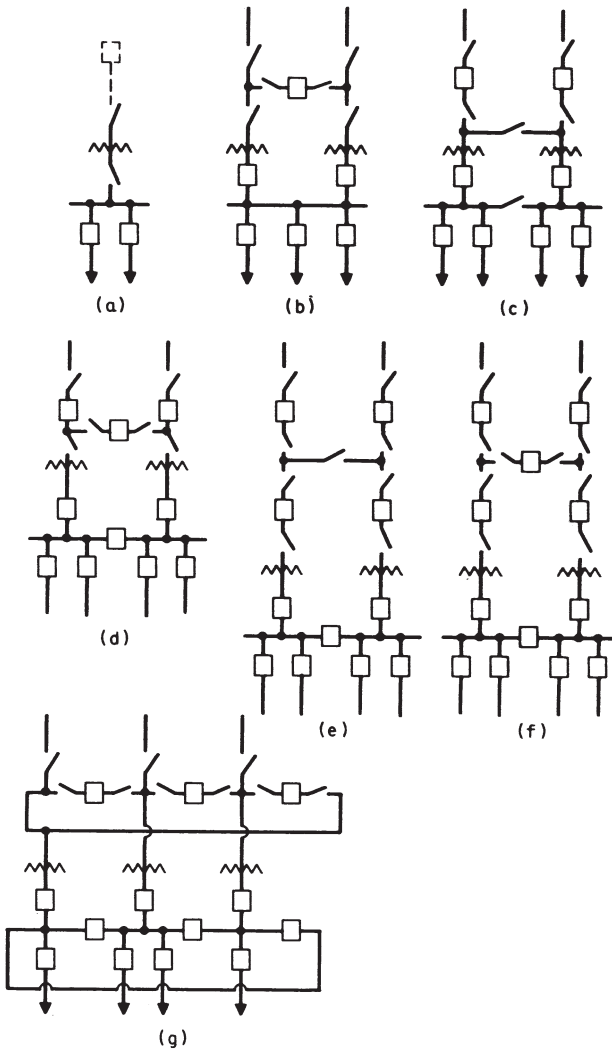


Figure 4-8. Incoming feeder circuit breaker arrangements.

**Interrupting Duty**

The circuit breakers must not only interrupt the normal load current, but must be mechanically able to withstand the forces resulting from the large magnetic fields created by the fault current flowing through them. Since the field will depend on the magnitude of the fault current, which in turn also depends on the voltage of the circuit, the

stresses that must be accommodated depend on both of these values. A circuit breaker, therefore, is rated not only on its applied voltage and normal current-carrying capacity, but on its interrupting ability, expressed in volt-amperes (or kVA or MVA); for example, 100-A, 35-kV, or 50,000-kVA interrupting “duty” or capability.

### **Insulation Coordination—BIL**

Circuit breakers and other equipment are subject to high-voltage surges resulting from lightning or switching operations, and the insulation of their energized parts must be capable of withstanding them. Lightning or surge arresters are installed on the conductors and buses of each phase as close to the circuit breakers as practical, with the intent of draining off the voltage surge to ground before it reaches the breaker.

To provide adequate insulation economically and to restrict and localize possible damage to the circuit breaker, the insulation provided for the several parts is coordinated. Internal parts are insulated as equally as practical, but their insulation is generally stronger than that of the bushings, which in turn is stronger than that of the “discharge” point of the associated arrester. Thus, a surge not drained to ground by the arrester will next tend to flash over at the bushings, outside the tank, where damage would be confined, comparatively light, and easier to repair. In general, the insulation of the weakest point in the circuit breaker should be weaker by such a margin as to ensure it will break down before the insulation of the principal equipment it is protecting.

The coordination of insulation requires the establishment of a basic insulation level (BIL) above which the insulation of the component parts of the system should be maintained, and below which lightning or surge arresters and other protective devices operate. This is discussed further in connection with protective devices.

Substation transformers also have their insulation coordinated with that of associated circuit breakers, buses, and other devices.

### **Capacitors**

As mentioned earlier, banks of capacitors may be connected to the high-voltage incoming bus in connection with voltage regulation and increasing the capacity or capability of the substation to supply load. All or portions of these banks may be switched on and off to provide



flexibility in maintaining voltage regulation and power factors. This is done with one or more circuit breakers, and arresters or other protective devices as indicated.

### **Transformers**

Substation transformers may consist of three-phase units or banks of three single-phase units. The size of these individual installations may range from 150 kVA (three-phase) in small rural stations to upwards of 25,000 kVA at larger urban and suburban substations. Their impedances are generally low, restricting unregulated voltage variations at the bus to a few percent, except where fault current levels are high. In this case, transformer impedances are increased to limit fault current duty to design limits.

The impedances of the transformer banks in a station should match each other as closely as practical to have the banks share the load as equally as practical.

The transformers may be connected in a delta or wye pattern, on both the incoming high-voltage (subtransmission) side and the outgoing low-voltage (primary circuit) side. The transformers are ordinarily of the two-winding standard type, operating much as the distribution transformers.

For many reasons, including the random and nonuniform movement of the molecules in the core of the transformer, the alternating magnetic field that is set up may be distorted, producing serrated sine waves on both sides of the transformer. These serrations can be broken down into a series of harmonics or waves with frequencies of 3, 5, 7, etc., times the basic frequency (usually 60 cycles per second). If the transformers have a ground on either side, the harmonics or fluctuations flow to ground and the original sine wave essentially remains undistorted. If the windings are connected in delta fashion, these fluctuations circulate around the delta, filtering out the harmonics and eliminating them from the sine wave formed in the windings; however, they do cause some unnecessary heating.

Where the transformer windings are connected in a wye arrangement *without* a ground or neutral back to the source, the harmonics may be particularly bothersome. To overcome these, each of the single-phase transformations (singly or within a three-phase unit) is provided with a third, small-capacity winding; the three such windings are connected in delta (even though the main primary and secondary windings are

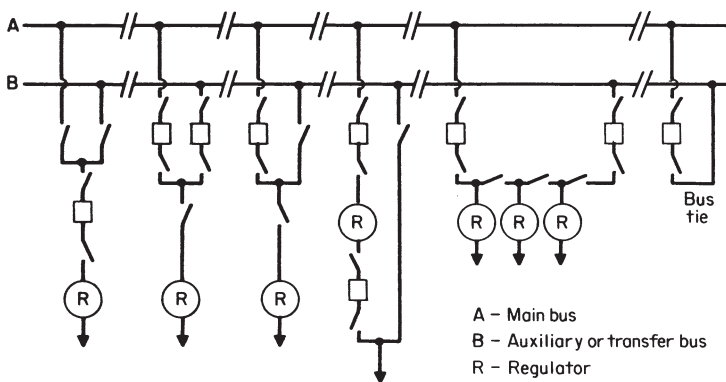
connected in wye). The delta thus formed allows the harmonics to circulate within it, producing a little heat but essentially filtering them out, so that the sine wave produced on both the high and low sides of the transformer will be a more pure sine wave.

**Low-side Bus Arrangements**

The low sides of the transformers are connected to their buses usually through circuit breakers. Several configurations are shown in Figure 4-9. Some provision is usually made for permitting circuit breakers, switches, regulators, and other devices to be taken out of service for maintenance or for other reasons without causing an interruption to the outgoing distribution feeders. Each of the outgoing distribution feeders is usually equipped with its own circuit breaker. The relays operating these, as well as the transformer high-side circuit breakers, and the capacitors (if any) are coordinated so that only the proper circuit breaker will operate to clear a fault that may occur on some portion of the system; this is considered in more detail on pages 92 to 96.

**Voltage Regulators**

Each distribution feeder may have its voltage individually regulated, employing three single-phase regulators or one three-phase regulator. If all of the distribution feeders have approximately the same load cycles and voltage regulation (even if corrected by capacitors, field regu-



**Figure 4-9. Arrangement of distribution feeder buses at substations (see also Figure 4-8).**

lators, or other means out on the feeder) the bus to which they are connected may be regulated in place of individual feeder regulators. While this calls for a certain amount of compromise, it may prove economical in many instances.

### **Mobile Substations**

Substations are often designed for three single-phase transformers so that, where they are connected in delta on the incoming side, they can operate in open delta in the event of failure of one of the units. In some instances, a spare single-phase transformer is installed at the substation so that, in the event of failure of one of the transformers, a replacement can be made readily.

With the advent of lighter transformers and improved transportation equipment, it has proven practical to mount a three-phase transformer and associated switching and surge arresters on a trailer especially designed for that purpose. Such a mobile substation can be readily transported to a substation where a failure has occurred. The terminal arrangements of both the mobile substation and the fixed substation are so designed that often service can be restored more quickly than by reconnecting the spare unit (which no longer need be provided).

The mobile substation not only can be effective where the failure may involve more than one transformer, but can service a number of substations in a more economical fashion than the installation of spare transformers at many, if not all, substations. Further, it may also be installed as a separate, temporary substation, picking up portions of the load of one or more substations whose facilities may be overloaded.

## **PROTECTIVE DEVICES**

For the distribution system to function satisfactorily, faults on any part of it must be isolated or disconnected from the rest of the system as quickly as possible; indeed, if possible, they should be prevented from happening. The principal devices to accomplish this include fuses, automatic sectionalizers, reclosers, circuit breakers, and lightning or surge arresters. Success, however, depends on their coordination so that their operations do not conflict with each other. Figure 4-3 indicates where these devices are connected on the system.

## Fuses

### *Time-Current Characteristic*

A fuse consists basically of a metallic element that melts when “excessive” current flows through it. The magnitude of the excessive current will vary inversely with its duration. This time-current characteristic is determined not only by the type of metal used and its dimensions (including its configuration), but also on the type of its enclosure and holder. The latter not only affect the melting time, but, in addition, affect the arc clearing time. The *clearing time* of the fuse, then, is the sum of the melting time and the arc clearing time. Refer to Figures 4-10 and 4-11. Note that for curve *b* in Figure 4-11, the clearing time for a certain value of current is less than for curve *a*; the fuse with the characteristic *b* is therefore referred to as a “fast” fuse, compared with the fuse of curve *a*. Refer to Figure 4-11.

Fuses are rated in terms of voltage, normal current-carrying ability, and interruption characteristics usually shown by time-current curves. Each curve actually represents a band between a minimum and a maximum clearing time for a particular fuse; the difference between them is a predetermined percentage adjustment made to allow for manufacturing tolerances and to ensure an adequate clearing time. A set of such curves is developed for each of the different ratings and types of fuses; see Figures 4-12 to 4-14.

### *Fuse Coordination*

The number, rating, and type of the interrupting devices shown in Figure 4-3 depend on the system voltage, normal current, maximum fault current, the sections and equipment connected to them, and other local conditions. The devices are usually located at branch intersections and at other key points. When two or more such devices are employed in a circuit, they will be coordinated so that only the faulted portion will be de-energized. In Figure 4-28 fuse D must clear before sectionalizer C, and C must clear before recloser B. Likewise, fuse G must clear before F, F before E, and both E and B before A. At the transformer locations, fuse M must clear before D, and N before G. All of these devices must be coordinated; i.e., their ratings should provide for carrying normal load currents and for responding correctly to a fault.

Fault current will flow from the source to the fault through the various devices in its path. The magnitude of this fault current will depend on the impedance (resistance for dc circuits) between the source

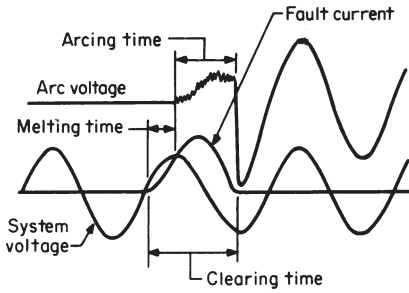


Figure 4-10. Oscillogram of link melting and fault current interruption. (Courtesy McGraw Edison Co.)

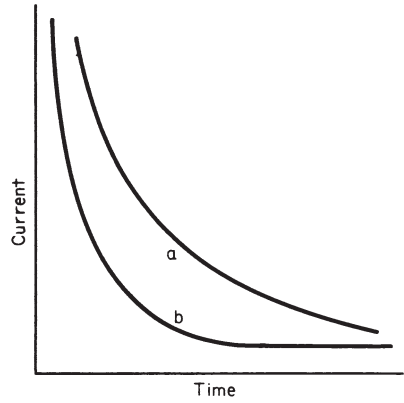


Figure 4-11. Typical time-current characteristic for fuses.

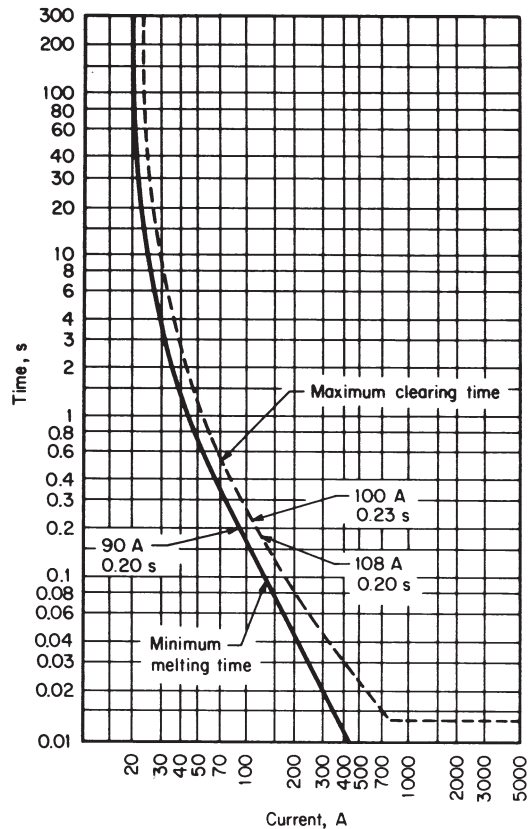


Figure 4-12. Typical time-current characteristic for a 10-K fuse link. (Courtesy McGraw Edison Co.)

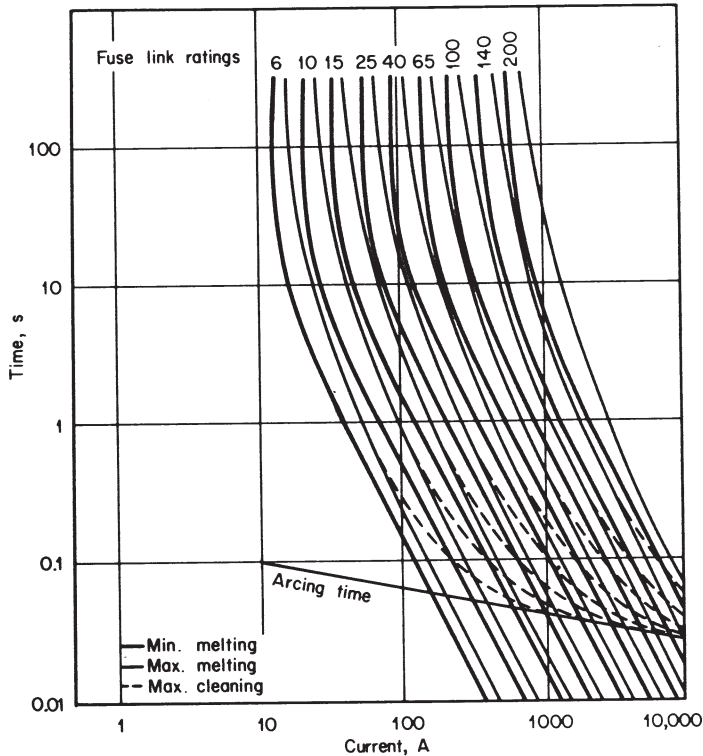
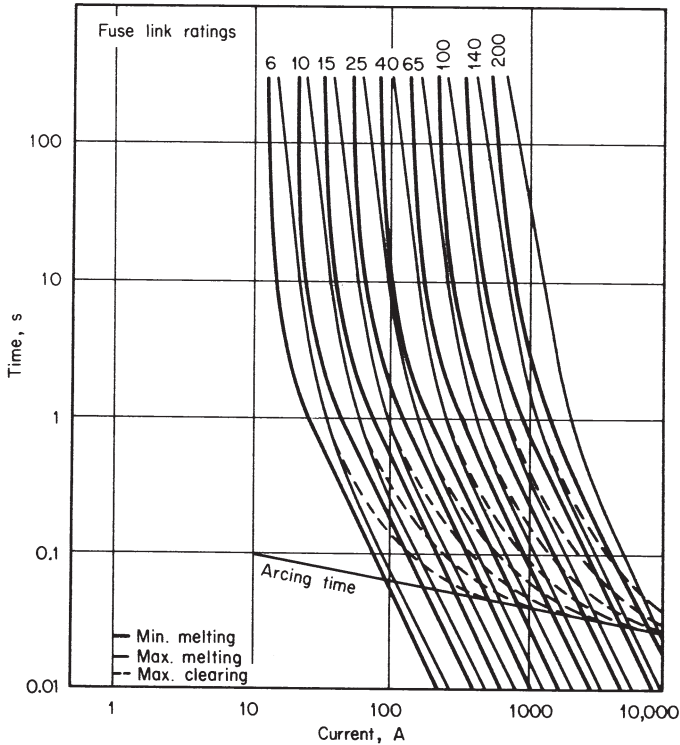


Figure 4-13. (a) “Representative” minimum and maximum time-current characteristic curves for EEI-NEMA type K (fast) fuse links. (Courtesy Westinghouse Electric Co.)

and the point of fault, or roughly, on the distance between them. When a fault is distant from the source, the impedance of this part of the circuit is high and the fault current is low; when the fault is close to the source, the fault current is high.

At the coordinating point farthest from the source, therefore, the fuse will have the lowest rating consistent with the maximum normal load at this point; at the other coordinating points along the path of the current the fuses will have increased ratings as they are closer to the source. These are indicated in Figure 4-15 and Table 4-3. The characteristics of these fuses must also coordinate with those of other protective devices in the same path and with those of the circuit breaker at the source.



**Figure 4-13. (b) “Representative” minimum and maximum time-current characteristic curves for EEI-NEMA type T (slow) fuse links. (Courtesy Westinghouse Electric Co.)**

### Repeater Fuses

Line fuses are sometimes installed in groups of two or three (per phase), known as repeater fuses, having a time delay between each two fuse units. When a fault occurs, the first fuse will blow and the second fuse will be mechanically placed in the circuit by the opening of the first; if the fault persists, the second fuse will blow; if there is a third fuse, the process is repeated. If the fault is permanent, all of the fuses will blow and the faulted part of the circuit will be de-energized. New fuses must be installed to restore the line to normal.

Where capacitors are applied to feeders for power factor correction, fuses chosen to protect the line from the bank (and vice versa) must also coordinate with sectionalizing and other devices in the circuit back to the source.

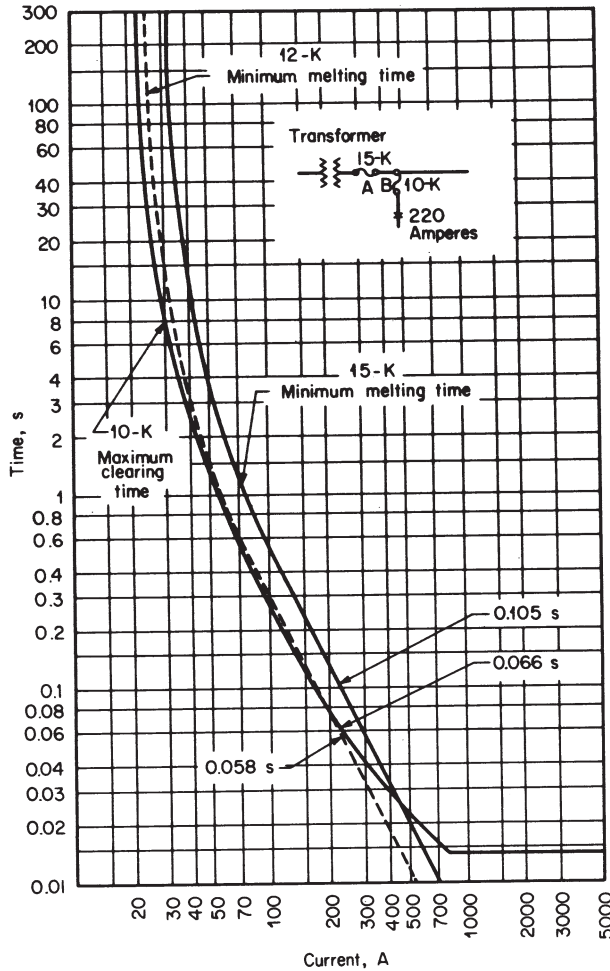


Figure 4-14. Coordination by time-current curves. (Courtesy McGraw Edison Co.)

**Transformer Fuses**

Fuses on the primary side of distribution transformers serve to disconnect the transformer from the circuit not only in the event of a fault in the transformer or on the secondary, but also when the normal load on the transformer becomes so high that failure is imminent. Fuses on the secondary side protect the transformer from faults or overloads on the secondary circuit it serves.

The characteristics of a primary fuse are a compromise between



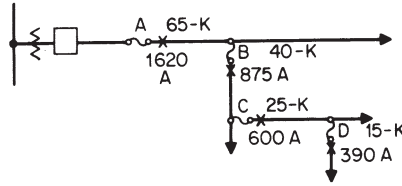


Figure 4-15. Example of fuse-coordinated system.

Table 4-3. Fuse-coordinated system.

Position	Fault current, A	Protective link	Maximum clearing time M, s	Minimum melting time N, s	Clearing factor	
					Ratio CT/MT, M(pos)/N(pos)	Percent
A	1620	65-K	0.078	—	—	—
B	875	40-K	0.066	0.120	0.078-A/0.120-B	65.0
C	600	25-K	0.061	0.093	0.066-B/0.093-C	71.0
D	390	15-K	—	0.084	0.061-C/0.084-D	72.6

Courtesy McGraw Edison Co.

protection from a fault and protection from overload, yet the fuse also has to coordinate with other fuses on the line. One attempt at a solution is the completely self-protected (CSP) transformer, in which the primary fuse, with characteristics based only on protection against fault, is situated within the transformer tank (and, to differentiate, is called a *link*) while overload protection is accomplished by low-voltage circuit breakers (instead of fuses) on the secondary side of the transformer that are also situated within the tank. The circuit breakers, once open, however, must be reclosed manually.

Fuses are provided on the line side of the protectors on low-voltage secondary networks. These are backup protection in the event the protector fails to open during back feed from the network into the primary when it is faulted or deliberately grounded.

Secondary fuses, known as *limiters*, are also provided at the juncture of secondary mains to isolate faulted sections of the secondary mains and to prevent the spread of burning in conductors (usually in cables) where sufficient fault current does not exist to burn them clear in a small portion of the mains.

### Automatic Line Sectionalizers

Automatic line sectionalizers are connected on the distribution feeder in series with line and sectionalizing fuses; they are also in series

with and electrically farther from the source than reclosers or circuit breakers with reclosing cycles. These devices are decreasing in usage, but many exist on distribution systems.

When a fault occurs on the circuit beyond the sectionalizer, the fault current initiates a *fault-counting relay* that is coordinated with the characteristics of the fuses and other devices. Each time the circuit is de-energized (from reclosers or circuit breakers), the relay moves toward the trip position; just before the final operation that will lock out the recloser or circuit breaker if the fault persists, the sectionalizer will trip (while no fault current is flowing) and open the circuit at that point, removing the fault and permitting the circuit breaker or recloser to close and reset into its normal position; service is thus restored to the rest of the circuit up to the location of the sectionalizer. If the fault is of a temporary nature and is cleared before the reclosing devices complete their operations, the sectionalizer will reset to its normal position after the circuit is reenergized.

Sectionalizers are rated on continuous current-carrying capacity, minimum tripping and counting current, and maximum momentary fault current, as well as for maximum system voltage, load-break current, and impulse voltage or basic insulation level (BIL).

More than one sectionalizer can be connected in series with a reclosing device. The sectionalizer nearest the reclosing device can be set to operate after (say) three operations while the more remote one is set for (say) two such operations.

Sectionalizers are relatively low-cost devices; they are not required to interrupt fault current although fault current flows through them. They may be operated manually and are considered the same as load-break switches.

## **Reclosers**

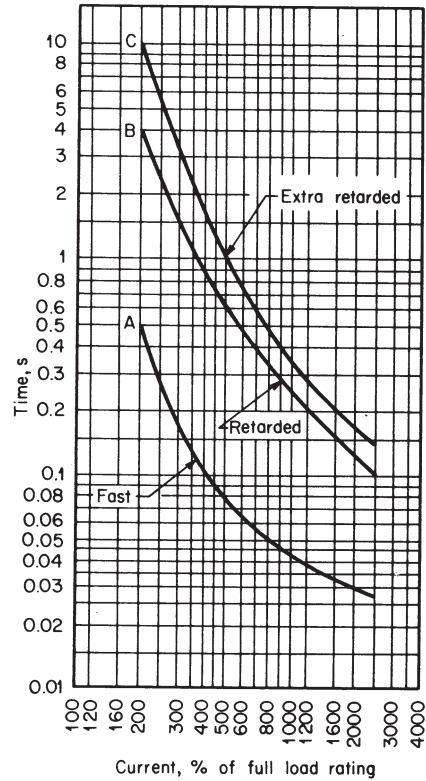
Reclosers are essentially circuit breakers of lower capacity, both as to normal current and interrupting duty. They are usually installed on major branches of distribution feeders in series with other sectionalizing devices; they perform the same function as repeater fuses connected in the circuit or circuit breakers at the substation.

Reclosers are designed to remain open, or “locked out,” after a selected sequence of tripping operations. A fault will trip the recloser; if the fault is temporary in nature and no longer exists, the next tripping operation does not take place and the recloser returns to its nor-

mally closed position, ready for another incident. If the fault persists, the recloser will close and the operation will be repeated until the recloser locks out. The reclosers are usually set for three automatic reclosing operations before locking out; the first operation is usually "instantaneous," i.e., occurring as quickly as the breaker contacts can open with no time delay; the second and third operations have time delays inserted, that for the second tripping smaller than that for the third; a fourth tripping will result in the recloser's remaining open until it is automatically or manually restored to normal, ready for the next incident.

Reclosers can operate on one or more time-current characteristic curves, as shown in Figure 4-16. The reclosing characteristics of the recloser for each operation are coordinated with those of the fuses at the coordinating points in the circuit and with those of the relays controlling the circuit breaker at the substation. These are illustrated in Figure 4-17. The first and basic curve is a tripping setting representing the minimum clearing time of the recloser; the other curves are determined by deliberate time delays introduced by making minor changes in the hydraulic and mechanical linkage system.

Reclosers may be single-phase units or three-phase units. The latter usually consist of three single-phase units mechanically interlinked for a common lockout operation, and are installed in a common tank. Figure 4-18a and *b* are typical oscillograms of single-phase and three-phase faults interrupted by these units.



**Figure 4-16. Time-current curves of standard-duty reclosers. (Courtesy McGraw Edison Co.)**

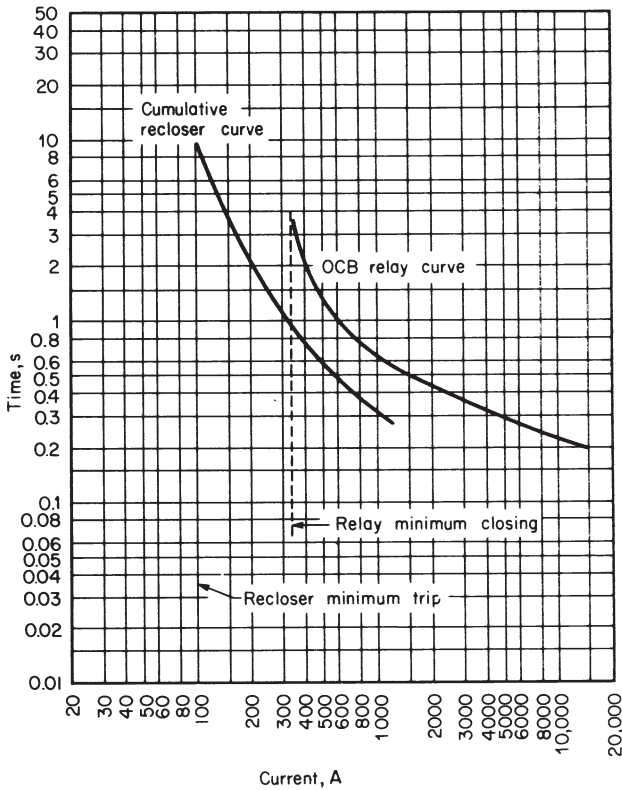


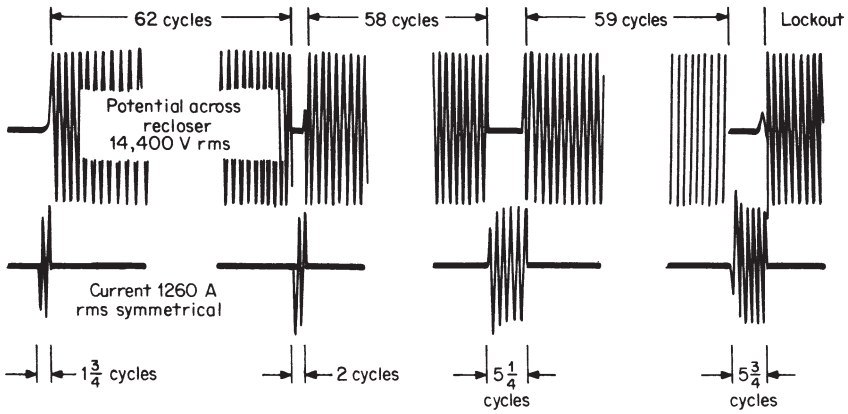
Figure 4-17. Coordination of OCB relay and recloser. (Courtesy McGraw Edison Co.)

**Circuit Breakers—Relays**

Where the fault current is beyond the ability of a fuse or recloser to interrupt it safely, or where repeated operation within a short period of time makes it more economical, a circuit breaker is used. The ability of circuit breakers has been touched upon earlier; their time-current characteristics, however, are dependent on the protective relays associated with them and must be coordinated with those of down-line reclosers, fuses, and other protective devices.

**Overcurrent Relays**

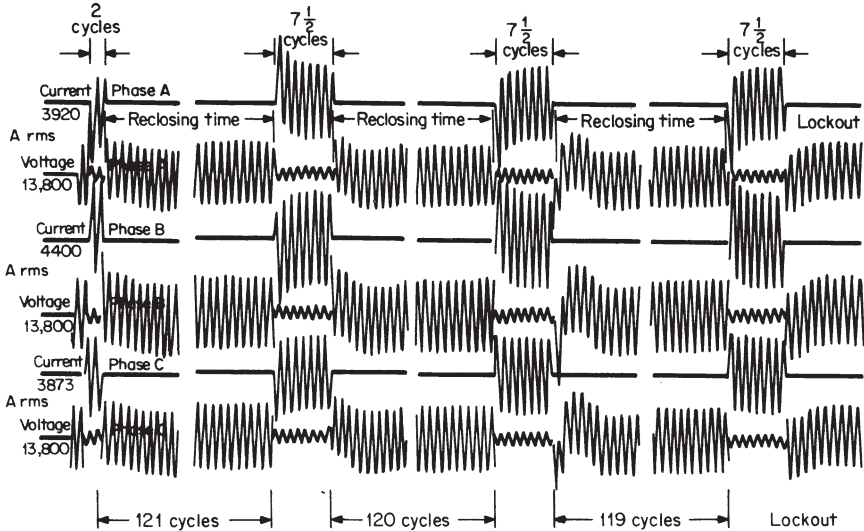
Overcurrent relays close their contacts to actuate the circuit that causes the circuit breaker to open or close when the current flowing in them reaches a predetermined value.



Interruption of 1260 A at 14,400 V, power factor of 38 percent, by B22 standard-duty recloser

- A. First opening. Total clearing time,  $1\frac{3}{4}$  cycles. Arcing time at contacts,  $\frac{1}{2}$  cycle. Reclosing time, 62 cycles.
- B. Second opening. Total clearing time, 2 cycles. Arcing time at contacts,  $\frac{1}{2}$  cycle. Reclosing time, 58 cycles.
- C. Third opening. Total clearing time,  $5\frac{1}{4}$  cycles. Arcing time at contacts,  $\frac{1}{2}$  cycle. Reclosing time, 59 cycles.
- D. Fourth opening. Total clearing time,  $5\frac{3}{4}$  cycles. Arcing time at contacts,  $\frac{1}{2}$  cycle. Recloser locks out.

(a)



Interruption of three-phase fault current of 4000 A at 13,800 V, power factor of 12.5 percent, by C13 three-phase heavy-duty recloser.

- A. First opening. Total clearing time, phase A,  $1\frac{1}{2}$  cycles; phase B,  $1\frac{1}{2}$  cycles; phase C, 2 cycles. Arcing time, all phases, approximately  $\frac{1}{2}$  cycle. Reclosing time, 121 cycles.
- B. Second opening. Total clearing time, all three phases,  $7\frac{1}{2}$  cycles. Arcing time, all phases, approximately  $\frac{1}{2}$  cycle. Reclosing time, 120 cycles.
- C. Third opening. Total clearing time, phases A and C,  $7\frac{1}{2}$  cycles; phase B, 8 cycles. Arcing time, all phases, approximately  $\frac{1}{2}$  cycle. Reclosing time, 119 cycles.
- D. Fourth opening. Total clearing time, all three phases,  $7\frac{1}{2}$  cycles. Arcing time, all phases, approximately  $\frac{1}{2}$  cycle. Recloser locks out.

(b)

Figure 4-18. (a) Typical oscillogram of recloser operation. (b) Typical oscillogram of three-phase fault interruption by heavy-duty recloser. (Courtesy McGraw Edison Co.)

### Instantaneous

Without time delay deliberately added, the relay will close its contacts "instantaneously," i.e., in a relatively short time, in the nature of 0.5 to perhaps 20 cycles. To prevent frequent operation of the breaker from transient, nonpersistent conditions, undesirably high settings may be applied to the relay.

The time-current characteristic of this type of relay is shown in curve *a* in Figure 4-19a.

### Inverse Time

The operation of the relay may be made to vary approximately inversely with the magnitude of the current. The current setting may be varied and time delay introduced by varying the restraint on the movable element of the relay; these are indicated in curves *b* and *c* in Figure 4-19a. Greater selectivity between relays and fuses in the circuit may thus be obtained.

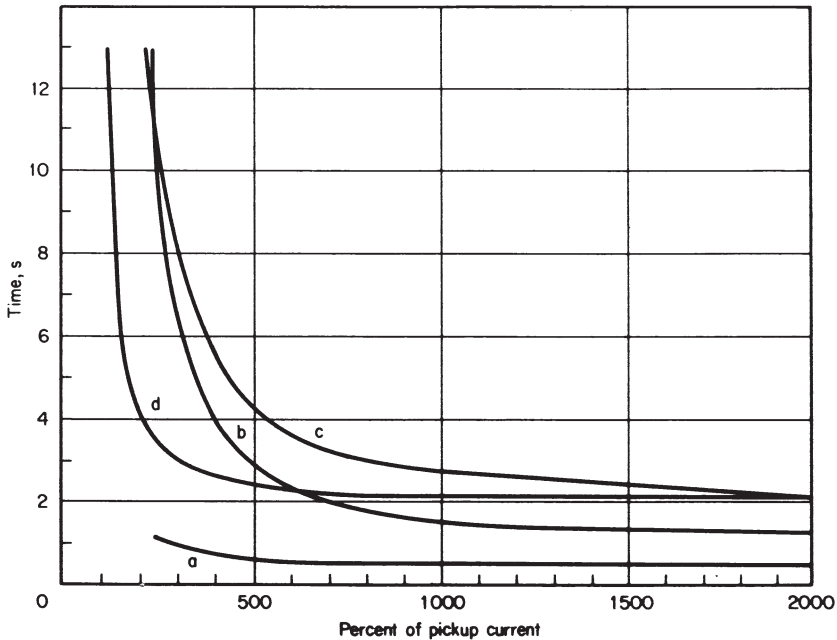
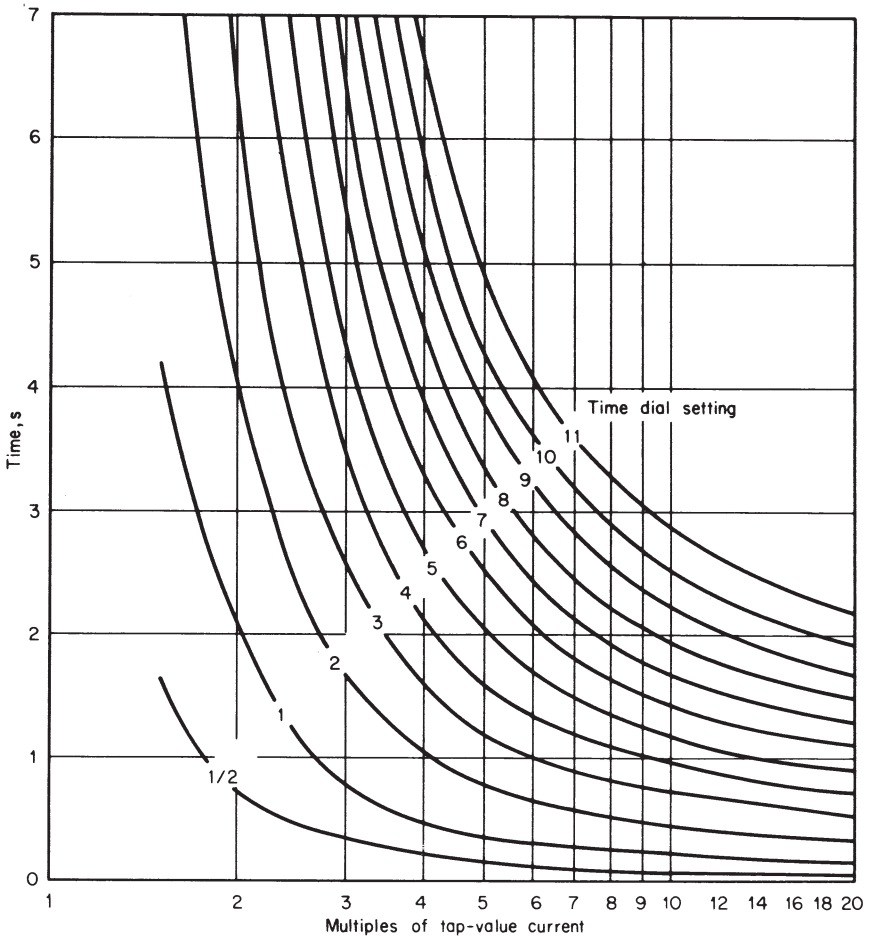


Figure 4-19, (a) A collection of time curves. These are representative of the various types of time curves which are used on overcurrent relays.

*Definite Time*

A definite time delay can be introduced before the relay begins to operate, allowing greater selectivity to be achieved. This feature is often added to the inverse-time characteristic beyond a certain value of current after which the relay operation is completed after the fixed time delay. This inverse definite minimum time feature is employed in most overcurrent relay applications. It is shown in curve *d* of Figure 4-19a, in which the flat portion of the characteristic results in only a small relay



**Figure 4-19. (b) Type CO-8 overcurrent relay time-current curves, 50-60 cycles. (Courtesy Westinghouse Electric Co.)**

time increase for small values of fault current. Refer to Figure 4-19b.

The distribution circuit may be sectionalized with reclosers, automatic sectionalizers, and fuses, at which points faults may be isolated without affecting the entire circuit; fuses are also provided on the primary side of distribution transformers. The definite time characteristic of the relay associated with the circuit breakers at the substation is coordinated with the characteristics of re-closers and fuses on the distribution circuit, as shown in Figure 4-20.

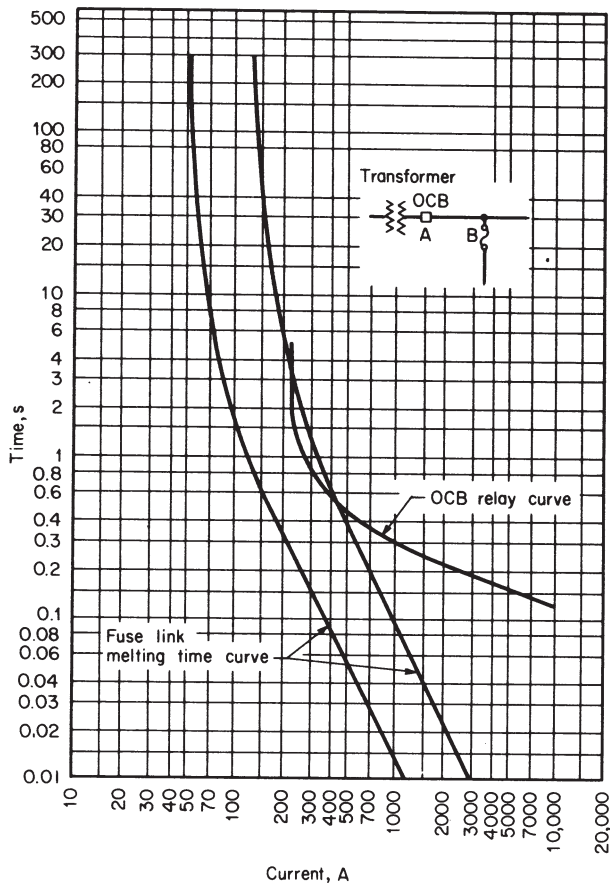


Figure 4-20. OCB-fuse link coordination. (Courtesy McGraw Edison Co.)



### Directional Relays

Directional relays are essentially overcurrent relays to which an element similar to a wattmeter is added, both sets of contacts being in series. The overcurrent element will operate to close its contacts regardless of the direction of flow of power in the line; the wattmeter element will tend to turn in one direction under normal flow of power and in the reverse direction when power flows in the opposite direction. Hence, both sets of contacts must be closed and power flowing in a given direction before the relay will operate. Both elements may be combined into one so that only a single set of contacts is required.

This type of relay is used in primary or secondary network operations to open the protectors to prevent current from the network from energizing the high side of the transformers and their supply feeder during contingencies. Refer to Figure 4-21.

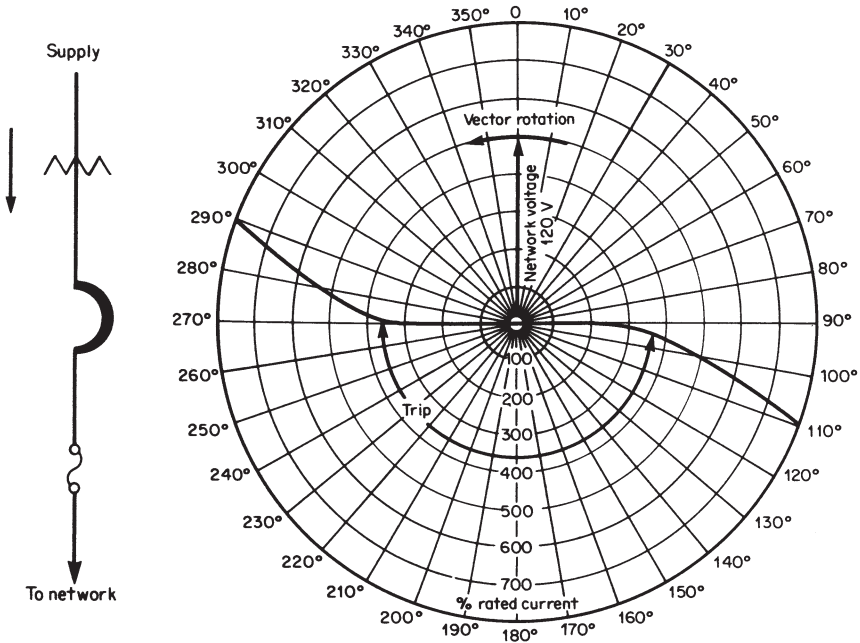
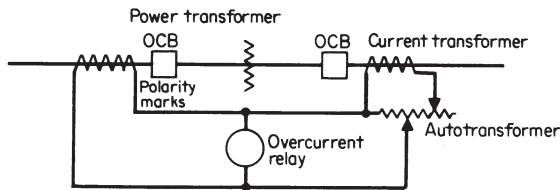


Figure 4-21. Typical tripping characteristic of the CN-33 network master relay under balanced three-phase conditions. (Courtesy Westinghouse Electric Co.)

## Differential Relays

Differential relays operate on the difference between the current entering the line or equipment being protected and the current leaving it. As long as the incoming current and the outgoing current are essentially equal, the relay will not operate. A fault within the line or equipment, however, will disturb this equilibrium, and the relay will operate to trip the supply circuit breaker or breakers on both sides of the line or equipment being protected. This type of relay is used to protect buses, transformers, and regulators at the substation. Since the voltages at which these operate may be high, current transformers installed on both sides of the equipment, with proper ratios in the case of transformers, supply the currents to the relay. Refer to Figure 4-22.



**Figure 4-22. One-line diagram of current-differential protection.**

## Surge or Lightning Arresters

The function of a surge or lightning arrester is to limit the voltage stresses on the insulation of the equipment being protected by permitting surges in voltage to drain to ground before damage occurs. The surges in voltage generally are caused by lightning (either by direct stroke or by induction from a nearby stroke) or by switching.

Arresters consist of two basic components: a spark gap and a non-linear resistance element (for a valve type) or an expulsion chamber (for an expulsion type). When a surge occurs, the spark gap breaks down or sparks over, and permits current to flow through the resistance (or chamber) element to ground. Since the arrester at this point presents a low-impedance path, a large current, referred to as *60-cycle follow current*, flows through the arrester. The nonlinear resistance, at the higher voltages, will tend to restrict this current and eventually cause it to cease to flow; here, the magnitude of the follow current is independent of the system capacity. The expulsion chamber will confine the arc, build up pressures

that eventually blow out the arc, and cause the follow current to cease to flow; here, the follow current is a function of the system capacity and the expulsion chamber must be suitably designed. After each such operation, the arrester must be capable of repeating this operating cycle.

### *Insulation Coordination*

It must be kept in mind that while the arrester is operating, the surge voltage is also “attacking” the insulation of the line or equipment it is protecting; the arrester, however, drains the high voltage to ground, reducing its magnitude, *before* sufficient time has elapsed to damage the insulation of the line or equipment.

Insulation characteristics, therefore, can be expressed as functions of voltage and the time it is impressed. This is usually shown as a volt-time curve, known as the *impulse level*, and represents the voltage and its duration the equipment can withstand.

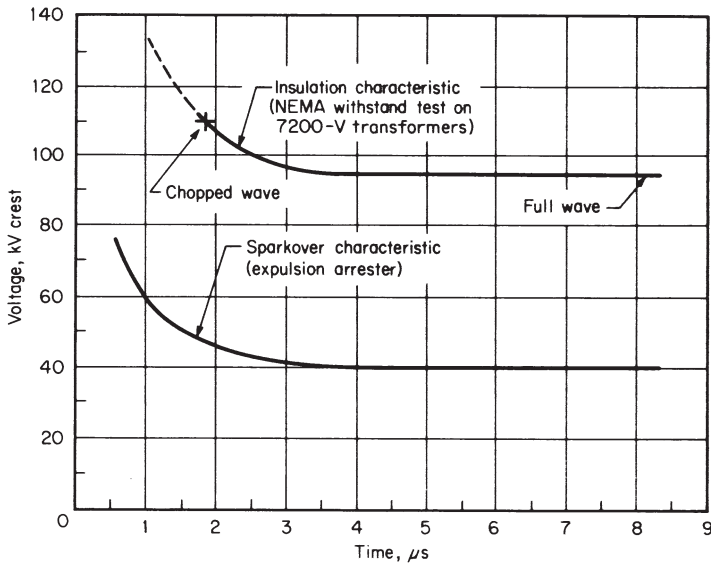
The arrester also has a volt-time curve that indicates the voltage and time at which the spark gap begins to break down and permit the passage of the surge to ground.

The insulation characteristic of the line or equipment being protected must be at a higher voltage level than the volt-time characteristic of the arrester protecting it; indeed, a sufficient voltage differential must be provided to ensure safe and positive protection. Figure 4-23 illustrates typical curves and their relationship. While the impulse level of the line or equipment must be high enough that the arrester provides adequate protection, it should be as low as practical to hold down insulation costs.

### *Basic Insulation Level (BIL)*

The coordination of insulation requires the establishment of a minimum level above which are the components of a system and below which are the protected devices associated with those components. A joint committee of electrical engineers, utilities, and manufacturers adopted basic insulation levels which define the impulse voltages capable of being withstood by insulation of various insulation classes: “Basic impulse insulation levels are reference levels expressed in impulse crest voltages with a standard wave not longer than 1.5 by 40 microseconds. Apparatus insulation as demonstrated by suitable tests shall be equal to or greater than the basic insulation level.”

The standard 1.5- by 40- $\mu$ s wave selected simulates lightning surges, which are more prevalent than switching surges, and are more



**Figure 4-23. Insulation coordination.** (Courtesy McGraw Edison Co.)

readily reproduced in the laboratory. The wave, shown in Figure 4-24, reaches its maximum or crest value at  $1.5 \mu\text{s}$  and at  $40 \mu\text{s}$  reaches one-half its maximum value on the “wave tail.” The steep rising portion of the wave is called the wave front, and the rate of rise (in kilowatts per microsecond) determines the slope or steepness of the wave front.

Recommended insulation levels for equipment of various voltage classes are listed in Table 4-4. These levels and the sparkover characteristic of arresters are determined by impulse tests.

The sparkover-time characteristics of the valve- and the expulsion-type arrester differ in that the characteristic curves for expulsion types are not as flat as those for the valve types: the two are shown in Figure 4-25a and b, respectively.

The flat curves of the valve types indicate their rapid response, especially to lightning voltages even during steep wave-front surges. Although expulsion arresters do not have sparkover voltages as low as the valve types, they do provide adequate protection for distribution systems; consideration must be given, however, to the maximum fault current at the expulsion arrester and its effect on coordination with overcurrent protection devices on the system. The curves are based on a standard 1.5- by  $40\text{-}\mu\text{s}$  test wave.

Figure 4-24. 1.5- by 40- $\mu$ s voltage wave (Courtesy McGraw Edison Co.)

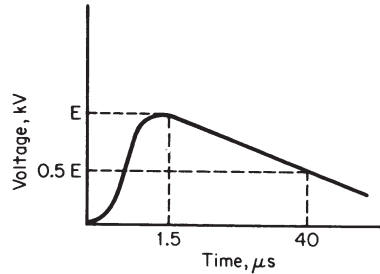


Table 4-4.

<i>Basic insulation level, kV (standard 1.5- × 40-<math>\mu</math>s wave)</i>		
<i>Voltage class, kV</i>	<i>Distribution class</i>	<i>Power class (station, transmission lines)</i>
1.2	30	45
2.5	45	60
5.0	60	75
8.7	75	95
15	95	110
23	110	150
34.5	150	200
46	200	250
69	250	350

\*For current industry recommended values, refer to the latest revision of the National Electric Safety Code.

### *Arrester Connection*

Arresters should be placed as close to the equipment to be protected, and the lengths of the connections to the line and to the ground should be kept as short, as possible. That is because these connections offer relatively high-impedance paths to voltage surges, so that large currents flowing through them could cause a voltage drop in them which, added to the surge voltage, could impose additional stress on the insulation of the equipment being protected. Moreover, on longer lines, such surges can be "reflected," essentially doubling the value of the surge voltage.

Short leads and minimum distance between the arrester and equipment protected are desirable for all arrester applications. Further, if the equipment being protected has a ground, that ground and the arrester ground should be interconnected to relieve any potential stress that may

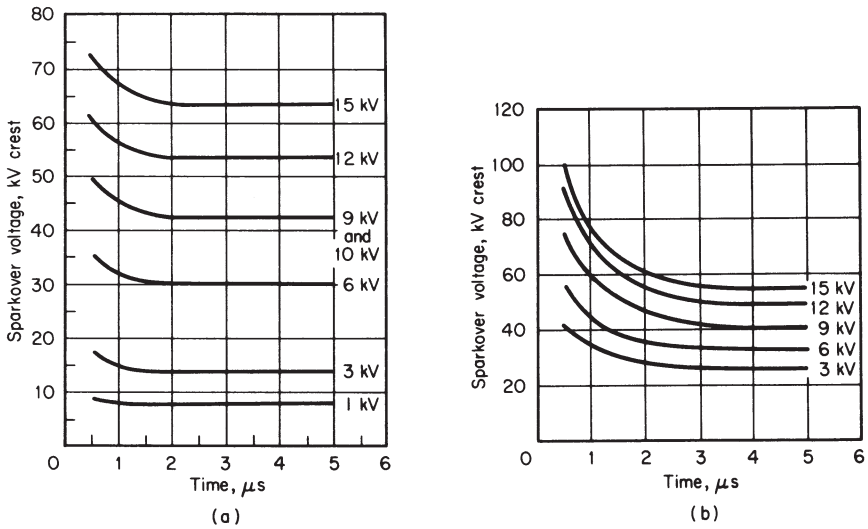


Figure 4-25. (a) Sparkover characteristics of distribution valve arresters, (b) Sparkover characteristics of expulsion arresters. (Courtesy McGraw Edison Co.)

develop from the voltage drop across the ground impedance.

Arresters should be connected to the primary side of distribution transformers and to capacitors, underground risers, and other equipment; at certain points on long primary lines; and at reclosers in substations. One arrester should be connected to each phase. For station circuit breakers, transformers, outdoor regulators, and reclosers situated on primary lines, arresters should preferably be connected to both incoming and outgoing sides of such equipment. Voltage ratings of arresters should take cognizance of whether the systems are delta or wye, grounded or ungrounded, and of the voltage distortions resulting from an accidental ground on one phase.

### FAULT-CURRENT CALCULATION

For the proper coordination of protective devices on a distribution system, it is essential that the magnitude be known of the fault current which they may be called upon to handle. For dc systems, the calculation is a relatively simple application of Ohm's law; for ac systems, the

procedures are more complex, but for most problems, practical solutions permit simplified procedures.

For ac systems, four general types of faults can be considered: three phases short-circuited together (with or without a ground), phase to phase to ground, phase to phase, and single phase to ground.

The following simplified equations yield symmetric current values that are sufficiently precise for purposes of coordination.

1. Three-phase fault current:

$$I_{3\phi} = \frac{0.58V}{Z_A + Z_B} \text{ A}$$

2. Phase-to-phase-to-ground fault current:

$$I_{\phi-\phi-G} = \frac{V \sqrt{(Z_A + Z_B)^2 + (Z_A + Z_C)^2 + (Z_A + Z_B)(Z_A + Z_C)}}{(Z_A + Z_B)[2(Z_A + Z_C) + (Z_A + Z_B)]} \text{ A}$$

3. Phase-to-phase fault current:

$$I_{\phi-\phi} = 0.87I_{3\phi} \text{ A}$$

4. Single-phase-to-ground fault current:

$$I_{\phi-G} = \frac{1.73V}{3Z_A + 2Z_B + Z_C} \text{ A}$$

where  $V$  = normal phase-to-phase voltage of feeder  
 $Z_a$  = impedance of substation transformer,  $\Omega$   
 $Z_a$  and  $Z_c$  = impedances of feeder,  $\Omega$

These equations are for 60-cycle overhead radial distribution feeders and assume that an infinite source capacity is capable of maintaining normal voltage at the high side with the fault on the low side; that the impedances making up the total impedance of the faulted circuit are added arithmetically (impedances must be at the same voltage base);

that transformers have 6 percent impedance (but other impedances can be calculated on their percentage ratio to 6 percent; and that conventional spacing exists between conductors on poles (though large variations cause only small changes in impedance values that can be disregarded without appreciable error).

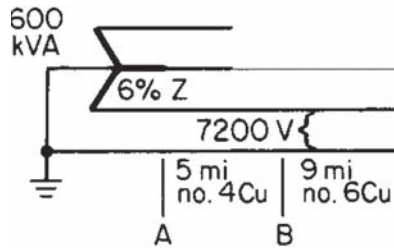
**EXAMPLE 4-4**

From manufacturers' tables,  $Z_A = 15.57 \Omega$  and  $Z_B = 0$ . For a fault at point A, at the substation,

1. For a three-phase fault:

$$I_{3\phi} = \frac{0.58 \times 12,470}{15.57 + 0} = 465 \text{ A}$$

2. For a phase-to-phase-to-ground fault,



$$I_{\phi-\phi-G} = \frac{12,470 \sqrt{15.57^2 + 15.57^2 + 15.57^2}}{15.57 [2(15.57) + 15.57]} = \frac{12,470 \sqrt{3}}{3(15.57)} = 463 \text{ A}$$

3. For a phase-to-phase fault,

$$\begin{aligned} I_{\phi-\phi} &= 0.87 \times I_{3\phi} \\ &= 0.87 \times 465 = 404 \text{ A} \end{aligned}$$

4. For a phase-to-ground fault,

$$I_{\phi-G} = \frac{1.73 \times 12,470}{3 \times 15.57} = 463 \text{ A}$$

For a fault at point B, 5 mi from the substation,

1. For a three-phase fault, with  $Z_B = 7.85$  (from manufacturers' tables),

$$I_{3\phi} = \frac{0.58 \times 12,470}{15.57 + 7.85} = 309 \text{ A}$$



2. For a phase-to-phase-to-ground fault, with  $Z_C = 15.8 \Omega$  (from manufacturers' tables),

$$I_{\phi-\phi-G} = \frac{12,470 \sqrt{23.42^2 + 31.37^2 + (23.42)(31.37)}}{23.42 [2(31.37) + 23.42]}$$

$$= \frac{12,470 \times 47.5}{2017.9} = 293 \text{ A}$$

3. For a phase-to-phase fault,

$$I_{\phi-\phi} = 0.87 \times 309 = 269 \text{ A}$$

4. For a phase-to-ground fault,

$$I_{\phi-G} = \frac{1.73 \times 12,470}{3(15.57) + 2(7.86) + 15.8} = 276 \text{ A}$$

For a fault at point C, 14 mi from the substation,

1. For a three-phase fault, with  $Z_B = 7.85 + 20.60 = 28.45$  (from manufacturers' tables),

$$I_{3\phi} = \frac{0.58 \times 12,470}{15.57 + 28.45} = 164 \text{ A}$$

2. For a phase-to-phase-to-ground fault, with  $Z_C = 15.80 + 35.28 = 51.08$  (from table),  $Z_A + Z_B = 15.57 + 28.45 = 44.02 \Omega$ , and  $Z_A + Z_C = 15.57 + 51.08 = 66.65 \Omega$ ,

$$I_{\phi-\phi-G} = \frac{12,470 \sqrt{44.02^2 + 66.65^2 + (44.02)(66.65)}}{44.02 [2(66.65) + 44.02]} = \frac{12,470 \sqrt{9316}}{7810} = 154 \text{ A}$$

3. For a phase-to-phase fault,

$$I_{\phi-\phi} = 0.87 \times 164 = 143 \text{ A}$$

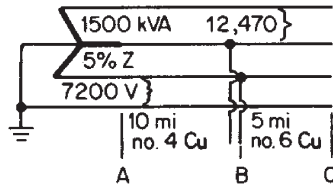
4. For a phase-to-ground fault,

$$I_{\phi-G} = \frac{1.73 \times 12,470}{3(15.57) + 2(28.45) + 51.1} = 139 \text{ A}$$

**EXAMPLE 4-5**

Since the branch in this case has two phases and a neutral, no three-phase fault can occur.  $V = 12,470$  V. The impedance values, based on manufacturers' tables, are as follows.  $Z_A = 6.28 \Omega$  for 6 percent impedance. For 5 percent impedance,  $Z_A = 5/6 \times 6.28 = 5.2 \Omega$ .  $Z_B = 15.7 + 11.45 = 27.15 \Omega$ .  $Z_C = 31.6 + 19.60 = 51.20 \Omega$ .  $Z_A + Z_B = 32.35 \Omega$ , and  $Z_A + Z_C = 56.40 \Omega$ .

For a fault at point C,



1. For a phase-to-phase-to-ground fault,

$$I_{\phi-\phi-G} = \frac{12,470 \sqrt{32.35^2 + 56.40^2 + (32.35)(56.40)}}{32.35 [2(56.40) + 32.35]} = \frac{12,470 \sqrt{6052}}{4696} = 207 \text{ A}$$

2. For a phase-to-phase fault, since the three-phase fault current would be 224 A,

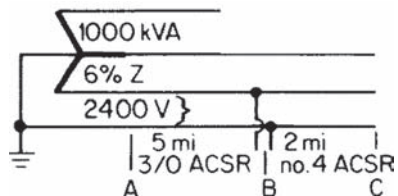
$$I_{\phi-\phi} = 0.87 \times 224 = 195 \text{ A}$$

3. For a phase-to-ground fault,

$$I_{\phi-G} = \frac{1.73 \times 12,470}{3(5.2) + 2(27.15) + 51.20} = 178 \text{ A}$$

**EXAMPLE 4-6**

Since the branch here is single-phase, only a phase-to-ground fault can occur.  $V = 4160$  V. From manufacturers' tables,  $Z_A = 1.037 \Omega$ ,  $Z_B = 1.78 + 4.52 = 6.3 \Omega$ , and  $Z_C = 4.16 + 6.90 = 11.1 \Omega$ .



For a fault at point C,

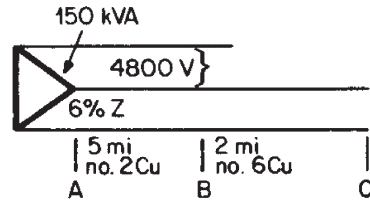
$$\begin{aligned}
 I_{\phi-G} &= \frac{1.73 \times 4160}{3(1.037) + 2(6.3) + 11.1} \\
 &= 268 \text{ A}
 \end{aligned}$$

### EXAMPLE 4-7

With two branch lines, only a phase-to-phase fault can occur.  $V = 4800 \text{ V}$ . From manufacturers' tables,  $Z_A = 9.22 \ \Omega$  and  $Z_B = 5.55 + 4.52 = 10.07 \ \Omega$ .

For a fault at point C,

$$\begin{aligned}
 I_{\phi-\phi} &= \frac{0.87 \times 0.58 \times 4800}{9.22 + 10.07} \\
 &= 125 \text{ A}
 \end{aligned}$$



### Actual Fault Current

The actual fault current may be broken into two components, ac and dc. The simplified equations give values of the ac, or steady-state, component, which remains constant throughout the duration of the fault. The value of this current follows Ohm's law and is equal to the voltage divided by the impedance of the circuit from the source to the point of fault.

As shown in Figure 4-26a, the ac component is symmetric about its axis and is known as the symmetric current. The dc, or transient, component occurs at the instant of the fault and drops rapidly to zero. Its magnitude depends on the time the fault is initiated; on a system carrying load, its maximum value is equal to the ac component at the beginning of the fault less the load current at that time. Standard measurement of the two components is taken at one-half cycle after the start of the fault. The total (root mean square) fault current is the square root of the sum of the squares of the two components; this composite rms current is not symmetric, and is known as the asymmetric current.

The magnitude of the total fault current during the transient period, therefore, depends on the type of fault and the time of its initiation. After the transient period, the magnitude of the fault current depends only on the type of fault.

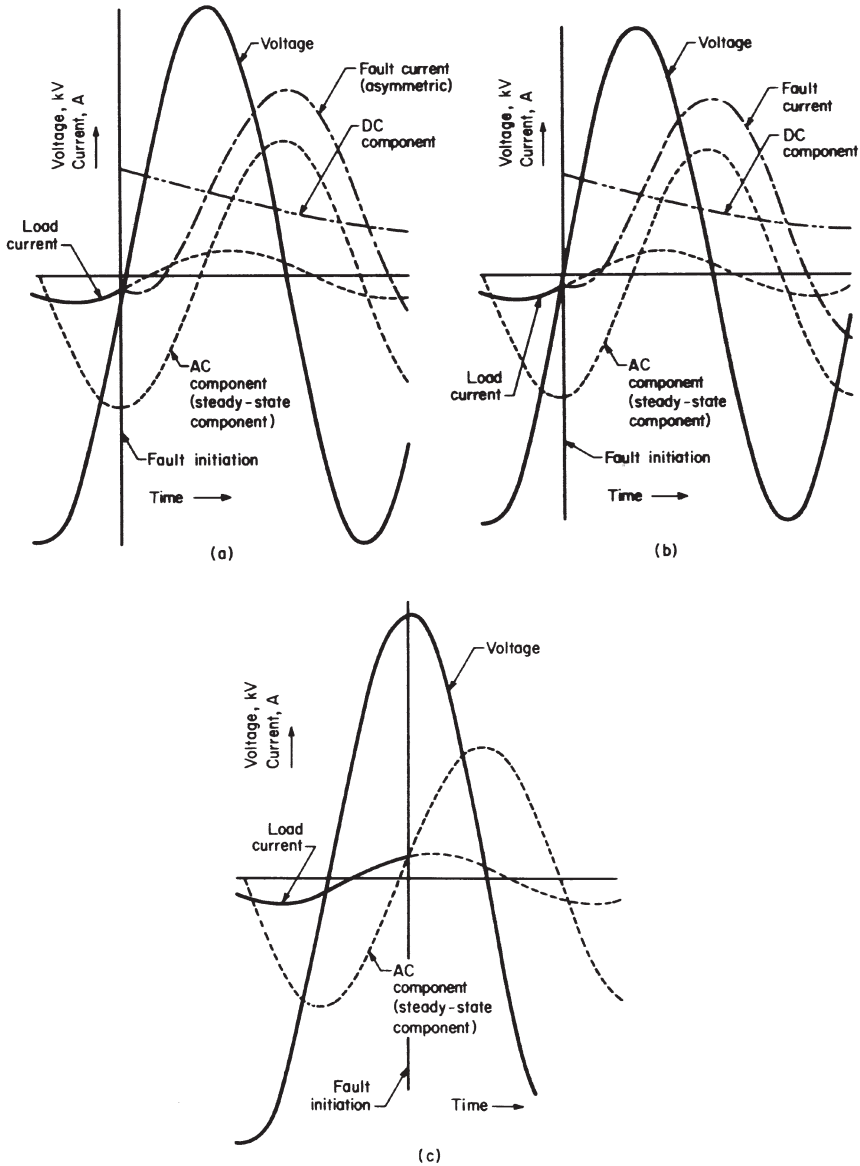


Figure 4-26. Components of actual fault current and effect of time of fault initiation upon magnitude of rms fault current. Fault initiation at (a) ac component peak, (b) voltage zero, and (c) instant when ac component and load current are equal (no dc component exists). (Courtesy McGraw Edison Co.)

The time of fault initiation is measured angularly along the voltage wave, i.e., as a number of degrees from a known point, such as peak voltage or voltage zero. Since there is usually a phase angle between voltage and current, a fault will occur at a different point on the current wave.

Figure 4-26a through c shows the effect of the time of fault initiation. If it occurs at the ac component peak, maximum transient current occurs. This dc component is equal to the difference between the instantaneous values of the ac fault current and the ac load current. Maximum transient current occurs at the ac component peak, but maximum rms fault current occurs at voltage zero. The transient component is zero when the fault occurs at the time the instantaneous values of the load current and steady-state current are equal. Between the maximum and zero transient points, a transient component will exist in which the rms fault current is less than the rms current when the fault occurs at voltage zero. Since protective devices operate during transient periods, they are designed to interrupt the maximum possible fault current.

### Factors of Asymmetry

As the reactance to resistance ratio ( $X/R$ ) and the power factor of a faulted circuit change, the magnitude of the asymmetric current will vary with respect to the symmetric current. As this ratio increases and the power factor decreases, the asymmetric current will increase. A ratio, known as the factor of symmetry, of the asymmetric to the symmetric current can be found for different  $X/R$  ratios and corresponding power factors. As shown in Figure 4-27, a specific factor exists for each  $X/R$  ratio and corresponding power factor.

When the symmetric current and the  $X/R$  ratio are known, the maximum asymmetric current can be found. This is useful in the design of fuse cutouts which are rated asymmetrically.

### Symmetrical Components

The simplified equations for calculating fault currents are derived from the symmetrical equations:

1. 
$$I_{3\phi} = \frac{E_{\phi-N}}{Z_1}$$
2. 
$$I_{\phi-\phi-G} = \frac{E_{\phi-N} a^2 (Z_0 + Z_2) - a A_0 - Z_2}{Z_1 Z_0 + Z_1 Z_2 + Z_0 Z_2}$$

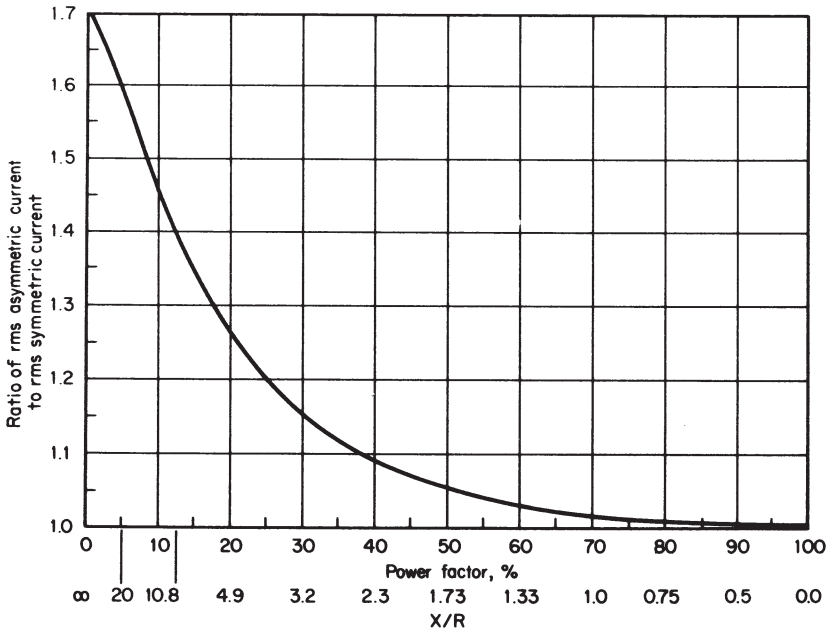


Figure 4-27. Factors of asymmetry for various power factor percentages and X/R ratios. (Courtesy McGraw Edison Co.)

$$3. \quad I_{3\phi} = \frac{E_{\phi-N}}{Z_1 + Z_2}$$

$$4. \quad I_{\phi-\phi} = \frac{3E_{\phi-N}}{Z_1 + Z_2 + Z_0}$$

where  $Z_1$  is the positive-sequence impedance,  $Z_2$  is the negative-sequence component,  $Z_0$  is the zero-sequence component, and each one represents the summation of like components throughout the faulted circuit. Also,  $a$  is the unit vector  $e^{j120} = -0.5 + j0.866$ , that is, an operator which indicates that the vector to which it is attached has been rotated through  $120^\circ$  in a positive or clockwise direction;  $a^2$  indicates rotation through  $240^\circ$ . Further, theoretically, the three impedance components for a transformer are equal; that is,  $Z_1 = Z_2 = Z_0$ ; also the positive- and negative-sequence components for conductors are equal; that is,  $Z_1 = Z_2$ . The three transformer components can be set equal to  $Z_A$ , the two conductor components equal to  $Z_B$ , and the conductor zero-sequence component equal to  $Z_C$ .

1. Substituting in the basic equations above:

$$E_{\phi-N} = \frac{E_{\phi-\phi}}{\sqrt{3}}$$

$$Z_1 = Z_A \text{ (positive transformer component)} \\ + Z_B \text{ (positive conductor component)}$$

$$I_{3\phi} = \frac{E_{\phi-\phi}/\sqrt{3}}{Z_A + Z_B} = \frac{0.58E_{\phi-\phi}}{Z_A + Z_B}$$

2. Eliminating the factor  $a$  by trigonometry,

$$I_{\phi-\phi-G} = \frac{\sqrt{3}(E_{\phi-\phi}/\sqrt{3})\sqrt{Z_0^2 + Z_0Z_2 + Z_2^2}}{Z_1Z_0 + Z_1Z_2 + Z_0Z_2}$$

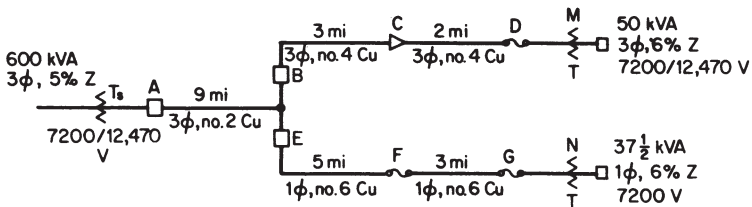
$$= \frac{E_{\phi-\phi}\sqrt{(Z_A + Z_C)^2 + (Z_A + Z_C)(Z_A + Z_B)(Z_A + Z_B)^2}}{(Z_A + Z_B)(Z_A + Z_C) + (Z_A + Z_B)(Z_A + Z_B) + (Z_A + Z_C)(Z_A + Z_B)}$$

$$= \frac{E_{\phi-\phi}\sqrt{(Z_A + Z_B)^2 + (Z_A + Z_C)^2 + (Z_A + Z_B)(Z_A + Z_C)}}{(Z_A + Z_B)[2(Z_A + Z_C) + (Z_A + Z_B)]}$$

$$3. \quad I_{\phi-\phi} = \frac{3(E_{\phi-\phi}/\sqrt{3})}{(Z_A + Z_B) + 2(Z_A + Z_B)} = \frac{\sqrt{3}E_{\phi-\phi}}{2(Z_A + Z_B)}$$

$$= \frac{1.73}{2} \frac{E_{\phi-\phi}}{Z_A + Z_B} = 0.87I_{3\phi}$$

**EXAMPLE 4-8 System coordination (refer to Figure 4-28)**



**Figure 4-28. One-line diagram of illustrative typical system.**

The impedance of transformer  $T_s$  is 15.57  $\Omega$  (from the manufacturer's table for 6% Z);  $Z_A$  for a 5% Z transformer is 5/6 of 15.57 or 12.98  $\Omega$ . The impedance of the lines (from manufacturers' tables):

Line section	Wire size	Length, mi	Impedance, $\Omega^*$	
			$Z_B$	$Z_C$
3 $\phi$ AB	no. 2 Cu	9	10.17	23.23
3 $\phi$ BC	no. 4 Cu	3	4.71	9.48
3 $\phi$ CD	no. 4 Cu	2	3.14	6.32
1 $\phi$ EF	no. 6 Cu	5	11.45	19.60
1 $\phi$ FG	no. 6 Cu	3	6.87	11.76

\* $Z_B$  is the positive- or negative-sequence value.  $Z_C$  is the zero-sequence value.

Total impedance from substation to load side of protective device:

Protective device	Line voltage	Transformer $Z_A$	Impedance, $\Omega$		
			Section	Lines*	
				$Z_B$	$Z_C$
A	12,470	12.98	—	0.00	0.00
B	12,470	12.98	AB	10.17	23.13
C	12,470	12.98	AC	14.88	32.61
D	12,470	12.98	AD	18.02	38.93
E	12,470	12.98	AE	10.17	23.13
F	12,470	12.98	AF	21.62	42.73
G	12,470	12.98	AG	28.49	54.49

\* $Z_B$  is the positive- (or negative-) sequence value;  $Z_C$  is the zero-sequence value.

Available fault currents on load side of protective device and selection:

Protective device	Fault currents, A				Protective device selected (EEI-NEMA standards)
	3 $\phi$	$\phi$ - $\phi$ -G	$\phi$ - $\phi$	$\phi$ -G	
A	557	557	485	557	Circuit breaker and overcurrent relay, or 35-A standard-duty recloser
B	312	293	272	262	15-A standard-duty recloser
C	259	241	225	212	28-A 3-shot sectionalizer*
D	233	217	203	189	8 (A) T link fuse
E	—	—	—	262	15-A 1 $\phi$ standard-duty recloser
F	—	—	—	173	10 (A) K link fuse
G	—	—	—	143	6 (A) K link fuse

\*Recloser B has one fast operation when a fault occurs on the load side of D; the sectionalizer counts one operation, but the link fuse at D does not melt. During the second time-delayed operation of recloser B, the link fuse at D melts and clears the fault. The sectionalizer counts this as the second operation; with the fault removed, both recloser and sectionalizer reset and the line is energized to D.



## STREET LIGHTING

Street lighting may be supplied from either series or multiple circuits. Series circuits and lamps have been extensively used in the past and many such systems are still in operation. Multiple supply, however, has been used almost exclusively in later installations, especially with the development of economical light-sensitive control devices, which has made practical the connection of such lighting to the same secondary mains that also supply other types of customers.

### **Multiple Circuits**

Multiple street lighting is usually served from secondary mains at normal utilization voltages. The secondary may be a separate circuit serving only street lighting loads, or part of the secondary circuit supplying other customers. The former may have controls exclusive to the circuit, while the latter may have individual controls for individual lamps or groups of lamps. As mentioned earlier, such circuits may be controlled from a variety of relays, some actuated from series street lighting circuits. Photocells, activated by the light intensity of the ambient, and connected between the secondary supply and the streetlight, have proven economical and desirable, as they simplify controls, eliminating additional wires and improving the appearance of overhead lines.

The principal advantage of multiple supply is the use of the secondary distribution systems, with only minor effects on transformer load and voltage conditions; additional advantages include greater safety because of the low voltages involved as well as lower handling and installation costs, as the equipment used is essentially that in use on distribution circuits. In most instances, separate lightning or surge arresters are not required.

### **Series Circuits**

As the name denotes, lamps in the series type of circuit are connected in series and supplied from a constant-current transformer; the usual current output rating is 6.6 A, with the outgoing voltage varying with the load connected. The light output for different-sized lamps at this fixed current rating depends on the length of the filament; for larger-size lamps operating at 15 or 20 A, the filaments are also of heavier cross section in order to carry the greater current safely. Series lamps

often are rated in *lumens*, the unit of light flux, while the wattage may vary with the size of the lamp. Lamp efficiency is expressed in lumens per watt, with 600-lm lamps operating at 6.6 A requiring about 43 W while 6000-lm lamps require approximately 320 W. Light efficiency is further increased with reflectors and refractors.

Advantages of series circuits include high efficiency for a widely distributed load, the ability to use a high-voltage and low-current supply that permits long lengths of relatively small-size conductors to be used with low loss and small voltage drop, and the ability to keep the variation in light intensity at a minimum because of the constant current value at each lamp. Disadvantages mainly center around the need for special transformers and control devices, as well as the need for separate lightning or surge arresters at the transformer, the switches, and certain points along an extended circuit.

### **Constant-current Transformers**

To obtain a constant current output from an essentially constant voltage supply, the two coils of the transformer are so arranged that the distance between them may be varied. The primary coil, receiving power at a constant voltage, is fixed in position. The secondary coil is movable along the common core; its position depends on the load. The secondary coil is balanced by a weight that reacts proportionally with the repulsion forces to maintain its output at the rated value.

When the two coils are close together, the magnetic field or flux produced by the primary interlinks maximally with the secondary coil, inducing a maximum secondary voltage. The coils act as magnets and tend to repel each other. As the load on the secondary decreases, the current in the secondary will tend to increase, increasing the repulsion between the coils. The secondary coil is raised, decreasing the magnetic field or flux linking the two coils, thereby decreasing the secondary voltage, and the current is dropped to its rated value. Refer to Figure 4-29a and b.

The majority of series street lighting circuits are operated without grounds. When an accidental ground occurs, the circuit is generally not affected. When a second ground occurs, the lamps between the two grounds will go out or burn dimly, giving ready indication of the location of the grounds. In some instances, however, an intentional ground is placed at mid-circuit. This not only reduces the normal stresses on the insulation of the several units in the circuit to one-half the voltage of the

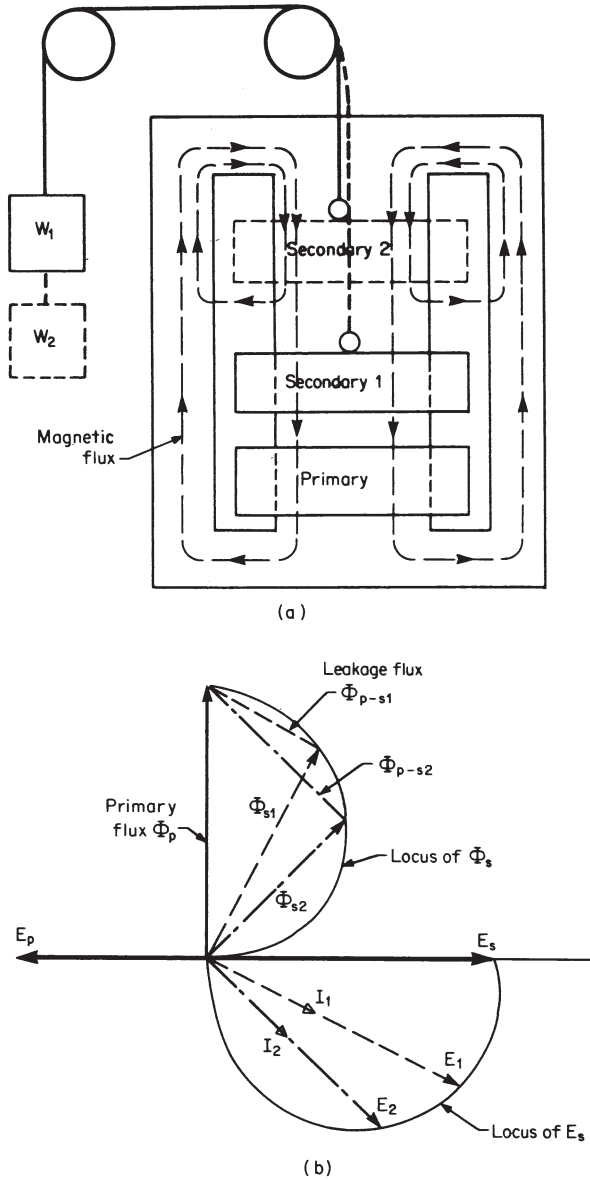


Figure 4-29. (a) Movable-coil constant-current transformer, (b) Vector diagram of relation between primary and secondary voltage, current, and magnetic flux.

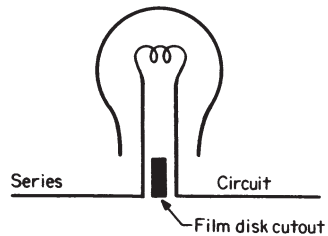
constant-current transformer, but serves to help locate the point of accidental ground, as indicated above.

Constant-current transformers may be installed at the substation, in underground vaults, or mounted on poles.

### Series Lamps

Series lamps are usually rated at 6.6 A. Larger lamps, generally 4000 1m or larger, are supplied at 15 or 20 A through transformers that supply an individual lamp (referred to as IL transformers) or transformers that supply several lamps (referred to as SL transformers).

Lamp failure in a series circuit causes a momentary opening of the circuit and a high voltage at the terminals of the lamp. A *film disk cutout*, connected between the terminals of the lamp, normally acting as an insulator, breaks down and short-circuits the failed lamp. Refer to Figure 4-30. Thus circuit continuity and service to the rest of the circuit are restored. The slight reduction in load causes the constant-current transformer to reduce the total voltage on the circuit, maintaining the current at the rated constant value.



**Figure 4-30. Film disk cutout schematic diagram.**

### Control Devices

Series circuits may be controlled from the substation manually or through time switches that automatically turn them on and off at predetermined times; one such switch operates in accordance with the hours of sunset and sunrise, and is called an *astronomical time switch*.

Control circuits employing a variety of relays and schemes that “cascade,” one control circuit controlling one or more additional control circuits, are shown in Figure 4-31. Note that series circuits can be controlled from multiple circuits supplying only street lights, or from light-sensitive relays supplied from multiple circuits.

## PRACTICAL BASIS OF DESIGN

In distribution system studies, particularly where growth and expansion are contemplated, several plans are usually taken under consider-

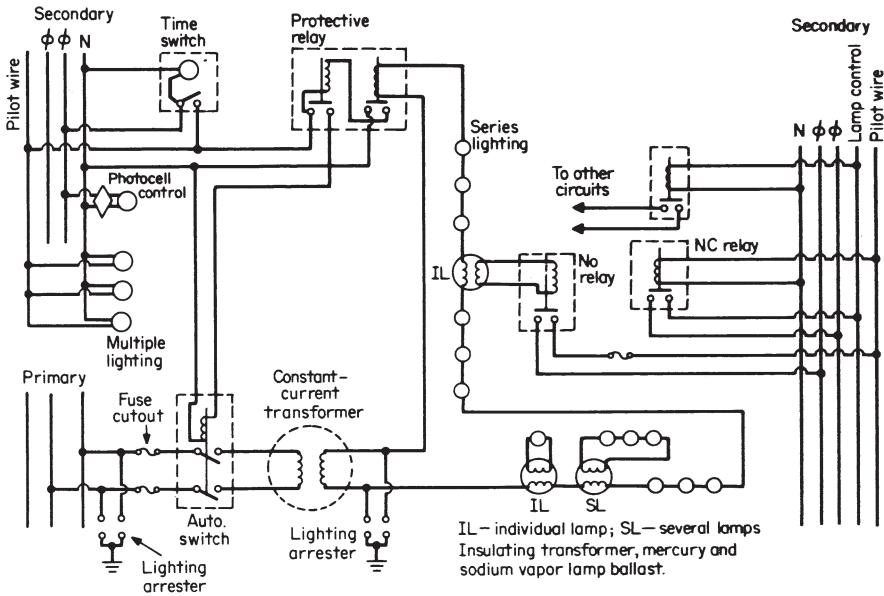


Figure 4-31. One-line diagram series-multiple and multiple-series controlled street lighting.

ation. For purposes of comparison, design voltage-drop limits are determined beforehand, and these same limits are used in all of the studies.

A peak load voltage profile is developed and plotted in terms of equivalent secondary voltages, as shown in Figure 4-32. Comparable layouts are made to provide adequate voltages and suitable equipment loadings with the design loads. A light-load voltage profile is assumed to fall within permissible limits, although regular changes at the substation may be relied upon to maintain maximum permissible voltage at the first customer.

The utilization voltage spread of 15 V, the estimated service and customer wiring voltage drops, and contact-making-voltmeter (voltage-regulating relay) bandwidth setting are derived from industry standards accepted for the design of utilization devices. Reference to Figure 4-32 shows that there is a spread of 10 V to “spend” in the design of the distribution system between the primary of the first transformer and the end of the secondary of the last transformer on the circuit. In general, industry experience indicates that a feasible and economical allocation

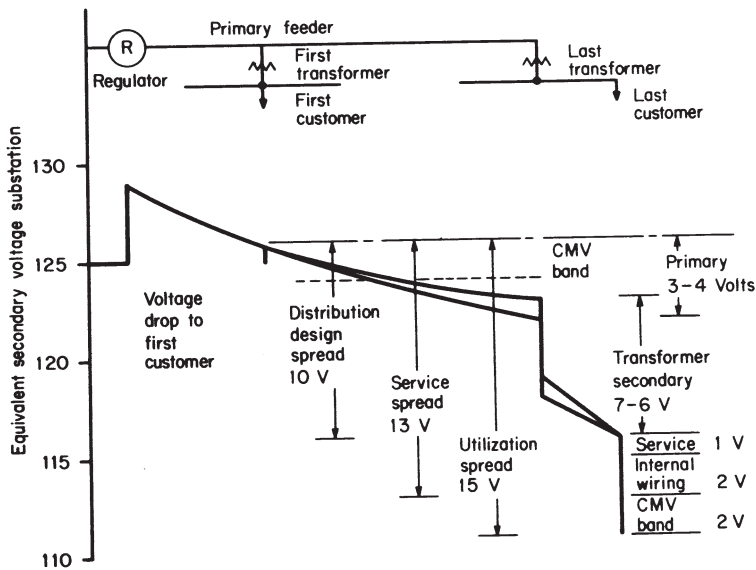


Figure 4-32. Allocation of voltage drops on distribution systems.

of this 10 V is to use a voltage drop of 3 to 4 V in the primary between the first and last transformer and 6 to 7 V in the transformer-secondary combination.

For example, an economical means of providing for load growth, particularly where obtaining substation sites is a problem, is the conversion of 2400/4160 V distribution systems to 7620/13,200 V operation. Conversion may be most easily accomplished by first converting the areas most remote from existing 4160-V substations. The 4160-V substation facilities can thus be kept operating at approximately their capacity although the area served will become smaller as the load density increases. All 4160-V equipment, including distribution transformers, can be used continuously and economic loss from premature retirement of such equipment can be avoided. New equipment for 13,200-V service will take care of load growth on the 13,200 V system.

In comparing an existing 4160-V system with a proposed 13,200-V system, voltage drops and energy losses are calculated, and circuits are designed to keep voltage drops within the limits expressed above—and shown in Figure 4-32—and to keep energy losses to a minimum.

The computation of voltage drops and losses on an extensive

distribution circuit is a rather long and tedious process. A method for making calculations easily and providing a record of basic data employs a system of "unit voltage drops"; a self-explanatory data form also indicates the procedure for making the computations.

For convenience, the unit selected for the voltage-drop calculations may be 10,000 kVA-ft, that is, 10 kVA at a distance of 1000 ft or 100 kVA at a distance of 100 ft, etc. Power factors and equivalent spacings used for calculations are indicated in Tables 4-5A and 4-5B for the two voltages under consideration. Circuit loads are assumed distributed in proportion to the connected transformers except where relatively large individual loads are known, in which case equivalent transformer capacity is estimated on the basis of known demands.

Included with the calculations is a sketch of the existing and proposed circuit with station numbers for each branch, transformer or group of transformers, or wire size change; these correspond to numbers on the calculation sheet. Factors for each wire size to convert from percent voltage drop to percent kilowatt loss are shown in Table 4-5C; losses in some smaller branches are neglected to simplify calculations, but results are sufficiently accurate for purposes of comparison.

In making comparisons, evaluation of losses should include both a demand component reflecting system investment and an energy component. Also, costs of conversion reflecting both additional capital investment and annual operating and maintenance expenses should be taken into account. All of these values are different for each utility. The data sheet and circuit configuration for only the proposed circuit are included in this example; refer to Table 4-5D and Figure 4-33.

Table 4-5A. Unit voltage drops for present 4160-V system. (10 kVA, 100 ft, L/N voltage drop, 2360/4080 receiver volts).

Wire size	R(25°C)	X(35-in spacing)	Power factor 0.85			Power factor 0.90		
			R cos $\theta$ + X sin $\theta$	3 $\phi$ unit voltage drops	1 $\phi$ unit voltage drops	R cos $\theta$ + X sin $\theta$	3 $\phi$ unit voltage drops	1 $\phi$ unit voltage drops
8	0.657	0.151	0.638	0.901	5.40	0.657	0.929	5.57
6	0.413	0.145	0.428	0.605	3.63	0.435	0.615	3.69
4	0.260	0.140	0.295	0.417	2.50	0.295	0.417	2.50
3	0.209	0.135	0.249	0.352	2.11	0.247	0.349	2.09
2	0.167	0.133	0.212	0.300	1.80	0.208	0.294	1.76
1/0	0.105	0.128	0.157	0.222	1.33	0.150	0.212	1.27
2/0	0.0833	0.125	0.138	0.195	1.17	0.130	0.184	1.10
3/0	0.0663	0.120	0.120	0.170	1.02	0.112	0.158	0.950
4/0	0.0527	0.119	0.107	0.151	0.906	0.0994	0.140	0.841
3c, 1/0	0.105	0.031	0.106	0.150	0.899	0.108	0.152	0.915
3c, 300,000 cmil	0.0372	0.0270	0.0458	0.0647	0.388	0.0453	0.0640	0.384
2c,6	0.413	0.034	0.370	—	3.13	0.387	—	3.28

Note: For the two phase wires and the neutral of a three-phase system, use 0.5 times the single-phase unit voltage drops. For the two-phase 4-wire system, use 0.5 times the single-phase unit voltage drops. The above voltage drops are line-to-neutral for a wye-connected system.



Table 4-5B. Unit voltage drops calculations for proposed conditions (10 kVA, 1000 ft, L/N voltage drop, 122-V equivalent receiver, 0.90 power factor).

Wire size	R(25°C)	X (54-in spacing)	R cos $\theta$ + X sin $\theta$	4160-V system		13,200-V system	
				3 $\phi$ unit voltage drops	1 $\phi$ unit voltage drops	3 $\phi$ unit voltage drops	1 $\phi$ unit voltage drops
8	0.657	0.160	0.661	0.903	5.42	0.284	1.71
6	0.413	0.155	0.440	0.600	3.60	0.189	1.14
4	0.260	0.150	0.300	0.410	2.46	0.129	0.774
3	0.209	0.145	0.251	0.343	2.06	0.108	0.648
2	0.167	0.143	0.212	0.290	1.74	0.0912	0.548
1/0	0.105	0.138	0.155	0.212	1.27	0.0666	0.400
2/0	0.0833	0.135	0.134	0.183	1.10	0.0576	0.346
3/0	0.0663	0.130	0.116	0.158	0.950	0.0498	0.299
4/0	0.0527	0.128	0.103	0.141	0.845	0.0443	0.266
3c, 1/0	0.105	0.031	0.108	0.148	—	0.0463	—
3c, 300,000 cmil	0.0372	0.0270	0.0453	0.0619	—	0.0195	—
2c, 6	0.413	0.034	0.387	—	3.17	—	0.998

Note: The above voltage drops are line-to-neutral values.

**Table 4-5C. Relation of percent voltage drop and percent kilowatt loss.**

3 phase, unit length, load concentrated at end:

$$\text{Factor} = R \cos \theta + X \sin \theta; \theta = \text{power factor angle}$$

$$\frac{\text{kVA} \times \text{factor}}{(\text{kV})^2 \times 10} = \% \text{ voltage drop} = \% V$$

$$\frac{(\text{kVA})^2 \times R}{(\text{kV})^2 \times 10 \times \text{kVA} \times \text{PF}} = \frac{\text{kVA} \times R}{(\text{kV})^2 \times \text{PF} \times 10} = \% \text{ kW loss} = \% L$$

where PF = power factor and R = resistance of one conductor.

$$\frac{\% L}{\% V} = \frac{\text{kVA} \times R}{(\text{kV})^2 \times \text{PF} \times 10} \qquad \frac{9(\text{kV})^2 \times 10}{\text{kVA} \times \text{factor}} = \frac{R}{\text{PF} \times \text{factor}}$$

For single-phase, the same ratio applies.

<i>Conductor size</i>	<i>R (25°C)</i>	<i>Factor (R cos θ + X sin θ)</i>	<i>% L/% V</i>
6	0.413	0.440	1.04
3	0.209	0.251	0.925
2	0.167	0.212	0.875
1/0	0.105	0.155	0.752
2/0	0.0833	0.134	0.680
4/0	0.0527	0.103	0.569

Assumed power factor = 0.90.

Table 4-5D. Sample primary circuit data and calculations.

Station	Distance, ft		Conductor size	Transformer kVA		$\frac{kVA \cdot ft}{10,000} = \frac{B \times F}{10,000}$	Unit voltage drop	Basic voltage drop		Percent kV loss
	Between stations	From sub-station		At station	Subtotal from last station			From previous station (G × H)	From sub-station (subtotal col. I)	
A	B	C	D	E	F	G	H	I	J	K
1	11,200	11,200	3φ, 2/0	115	1614	1807.7	0.0576	104.1	104.1	1.56
2	900	12,100	3φ, 1/0	205	1499	134.9	0.0666	8.9	113.0	
3A	1,600	13,700	3φ, 1/0	376	1294	207.0	0.0666	13.8	126.8	
4	200	13,900	3φ, 1/0	8	918	18.4	0.0666	1.2	128.0	
5	600	14,500	3φ, 1/0	50	810	48.6	0.0666	3.2	131.2	
6	1,200	15,700	3φ, 1/0	68	860	103.2	0.0666	6.9	138.1	0.56
7	1,700	17,400	3φ, 2	15	792	134.6	0.0912	12.3	150.4	
8	300	17,700	3φ, 2	38	777	23.3	0.0912	2.1	152.5	
9B	500	18,200	3φ, 2	118	739	36.9	0.0912	3.4	155.9	
10C	400	18,600	3φ, 2	275	621	24.8	0.0912	2.3	158.2	0.38

Circuit No. x, substation ABC, nominal circuit voltage 13,200, lamp voltage 120. Average delivered primary voltage 7750 (line-to-neutral for wye circuits), load condition peak.

1. Total transformer kVA: 1614
2. Maximum circuit load: 2760 kVA
3. Capacity factor (item 2 ÷ item 1): 1.71
4. Basic voltage drop, sub to last transformer: 193.5
5. Basic voltage drop, sub to first transformer: 104.1
6. Basic voltage drop, first to last transformer: 89.4
7. Calculated voltage drop, first to last transformer (item 3 × item 6): 152.9
8. Percent voltage drop, first to last transformer (item 7 ÷ average delivered primary voltage, × 100): 1.9
9. Percent voltage drop, sub to first transformer (item 3 × item 5 ÷ average delivered primary voltage, × 100): 2.3
10. Percent voltage drop, sub to last transformer: 4.2

Table 4-5D. Sample primary circuit data and calculations (Continued)

Station	Distance, ft			Transformer kVA		$\frac{kVA \cdot ft}{10000} = \frac{B \times F}{10000}$	Unit voltage drop	Basic voltage drop		Percent kV loss
	Between stations	From sub-station	Conductor size	At station	Subtotal from last station			From previous station (G × H)	From sub-station (subtotal col. I)	
A	B	C	D	E	F	G	H	I	J	K
11	200	19,200	3φ, 6	15	346	6.9	0.189	1.3	159.5	
12	400	19,200	3φ, 6	8	331	13.2	0.189	2.5	162.0	
13	200	19,400	3φ, 6	15	323	6.5	0.189	1.2	163.2	
14	500	19,900	3φ, 6	43	308	15.4	0.189	2.9	166.1	
15	400	20,300	3φ, 6	53	265	10.6	0.189	2.0	168.1	
16	400	20,700	3φ, 6	40	212	8.5	0.189	1.6	169.7	
17	400	21,100	3φ, 6	15	172	6.9	0.189	1.3	171.0	
18	1,000	22,100	3φ, 6	10	157	15.7	0.189	2.9	173.9	
19	400	22,500	3φ, 6	5	147	5.9	0.189	1.1	175.0	
20	1,300	23,800	3φ, 6	13	142	18.5	0.189	3.5	178.5	
21	900	24,700	3φ, 6	26	129	11.6	0.189	2.2	180.7	
22	1,000	25,700	3φ, 2	3	103	10.3	0.0912	0.9	181.6	
23	400	26,100	3φ, 2	3	100	4.0	0.0912	0.4	182.0	
24	300	26,400	3φ, 2	66	97	2.9	0.0912	0.3	182.3	
25	1,100	27,500	1φ, 6	5	31	3.4	1.14	3.9	186.2	
26	1,200	28,700	1φ, 6	8	26	3.1	1.14	3.5	189.7	
27	1,400	30,100	1φ, 6	10	18	2.5	1.14	2.8	192.5	
28	1,100	31,200	1φ, 6	8	8	0.9	1.14	1.0	193.5	0.81
3A	—	13,700	—	—	376	—	—	—	126.8	
A1	300	14,000	3φ, 6	101	376	11.3	0.189	2.1	128.9	
A2	600	14,600	3φ, 6	146	275	16.5	0.189	3.1	132.0	
A3	400	15,000	3φ, 6	10	129	5.2	0.189	0.9	132.9	
A4	1,000	16,000	3φ, 6	8	119	11.9	0.189	2.2	135.1	

A5	400	16,400	2φ, 6	15	111	4.4	0.57	2.5	137.6	
A6	200	16,600	2φ, 6	18	96	1.9	0.57	1.1	138.7	
A7	1,000	17,600	2φ, 6	68	78	7.8	0.57	4.4	143.1	
A8	1,500	19,100	1φ, 6	5	10	1.5	1.14	1.7	144.8	
A9	300	19,400	1φ, 6	5	5	0.2	1.14	0.2	145.0	0.42
9B	—	18,200	—	35	118	—	—	—	155.9	
B1	1,200	19,400	1φ, 6	10	83	9.9	1.14	11.3	167.2	
B2	900	20,300	1φ, 6	40	73	6.6	1.14	7.5	174.7	
B3	300	20,600	1φ, 6	12	33	0.9	1.14	1.0	175.7	
B4	400	21,000	1φ, 6	5	21	0.8	1.14	0.9	176.6	
B5	500	21,500	1φ, 6	8	16	0.8	1.14	0.9	177.5	
B6	700	22,200	1φ, 6	8	6	0.6	1.14	0.7	178.2	0.51
10C	—	18,600	—	78	275	—	—	—	158.2	
C1	700	19,300	3φ, 6	22	197	13.8	0.189	2.6	160.8	
C2	300	19,600	3φ, 6	8	175	5.3	0.189	1.0	161.8	
C3	500	20,100	3φ, 6	8	167	8.3	0.189	1.6	163.4	
C4	400	20,500	3φ, 6	28	159	6.4	0.189	1.2	164.6	
C5	300	20,800	3φ, 6	10	131	3.9	0.189	0.7	165.3	
C6	400	21,200	3φ, 6	8	121	4.8	0.189	0.9	166.2	
C7	400	21,600	3φ, 6	10	113	4.5	0.189	0.9	167.1	
C8	500	22,100	3φ, 6	10	103	5.1	0.189	0.9	168.0	
C9	900	23,000	3φ, 2	13	93	8.4	0.0912	0.8	168.8	
C10	400	23,400	3φ, 2	40	80	3.2	0.0912	0.3	169.1	
C11	200	23,600	3φ, 2	25	40	0.8	0.0912	0.1	169.2	
C12	700	24,300	3φ, 2	5	15	1.1	0.0912	0.1	169.3	
C13	1,000	25,300	3φ, 2	—	10	1.0	0.0912	0.1	169.4	
C14	200	25,500	1φ, 6	10	10	0.2	0.0912	0.0	169.4	0.26
Total percent loss										4.50





## Chapter 5

# Mechanical Design: Overhead

### CRITERIA

The mechanical design of the distribution system, and its several parts, must not only be adequate to sustain the normal stresses and strains, but must safely sustain them during abnormal conditions brought about by the vagaries of nature and people. While design criteria for overhead systems are substantially different from those for underground systems, in both instances prudent design takes into account economic and other nontechnical considerations.

For overhead systems, the supports for the conductors and equipment must withstand the forces imposed on them, while the conductors themselves must be sufficiently strong to support their own weight and the forces imposed on them.

### **National Electric Safety Code (NESC)**

Minimum design criteria are suggested in the National Electric Safety Code (NESC) issued by the Institute of Electrical and Electronics Engineers (IEEE). The NESC has received wide acceptance by utilities and other industries in this country and elsewhere.

In general, the code specifies:

1. Clearances between conductors and surrounding structures for different operating voltages and under different local conditions
2. Strength of materials and safety factors used in proposed structures
3. Perhaps the most basic, the probable loading imposed on the conductors and structures based on climatic conditions, approximately defined by geographic areas of offsets and bends in the lines, and of the pressure of wind blowing against them. Both vertical and horizontal loadings include the effects of ice collecting radially about the conductors.



The vertical force on the pole is the dead weight of the conductors with their coatings of ice, cross arms, insulators, and associated hardware. This vertical force exerts a compressive stress that may be considered uniformly distributed over the cross section of the pole. This loading, however, is almost always overshadowed by the requirements of the horizontal loadings, and is usually not given further attention. Even a very light pole can safely carry the dead weight of a multicircuit, large-conductor line.

**Table 5-1. Wind and ice loading on overhead systems.**

<i>Type of loading</i>	<i>Radial thickness of ice</i>		<i>Wind load on projected area of conductors</i>		<i>Temperature</i>	
	<i>in</i>	<i>cm</i>	<i>lb/ft<sup>2</sup></i>	<i>kg/m<sup>2</sup></i>	<i>°F</i>	<i>°C</i>
<b>Heavy</b>	0.5	1.27	4	20	0	-18.0
<b>Medium</b>	0.25	0.63	4	20	+15	-9.4
<b>Light</b>	0.0	0.0	9	44	+30	-1.1

For current industry recommended values, refer to the latest revision of the National Electric Safety Code.

The NESC divides the country into heavy, medium, and light load areas. The heavy loading area comprises roughly the northeast quarter of the "lower 48" states, and Alaska; the medium loading area comprises the northwest quarter plus a strip across the middle of the country; the light loading area comprises California and all the southern part of the country to a depth of some 300 to 400 mi, and Hawaii. The degrees of loading are indicated in Table 5-1, and the geographic areas for the continental United States in the map shown in Figure 5-1. The values and areas of demarcation are approximate and should be subject to other practical considerations, including probable deviations based on actual experience, local codes and regulations, and other environmental requirements.

## POLES

### Stresses

The forces acting on a pole stem from the vertical loading occasioned by the weight it has to carry and from the horizontal loadings

applied near the top of the pole. These latter are exerted by the conductors as a result of uneven spans, of offsets and bends in the lines, and of the pressure of wind blowing against them. Both vertical and horizontal loadings include the effects of ice collecting radially about the conductors.

The vertical force on the pole is the dead weight of the conductors with their coatings of ice, cross arms, insulators, and associated hardware. This vertical force exerts a compressive stress that may be considered uniformly distributed over the cross section of the pole. This loading, however, is almost always overshadowed by the requirements of the horizontal loadings, and is usually not given further attention. Even a very light pole can safely carry the dead weight of a multicircuit, large-conductor line.

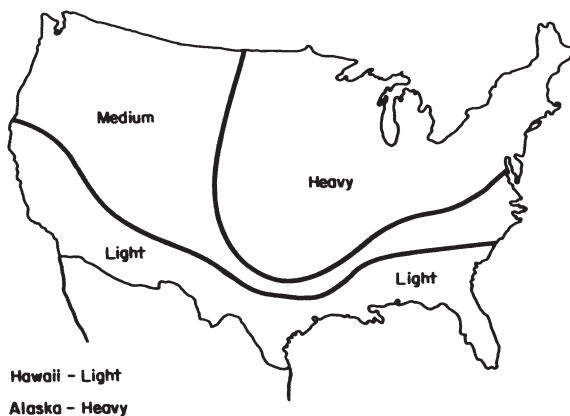


Figure 5-1. Loading districts.

### EXAMPLE 5-1

Assume relatively long spans of 200 ft, six primary conductors on two cross arms, and one heavy neutral (for two three-phase feeders) and three secondary conductors on a rack; moreover, the cross arms are two sets of double arms, with insulators and associated pins and hardware.

Assume no. 4/0 copper or 397,500-cmil ACSR (250 cmil  $\times$  10<sup>3</sup> copper equivalent), the largest usual distribution conductor, with a radial half-inch coating of ice (at 57 lb/ft<sup>3</sup>).\* Assume a light pole, class 5 pine, with a minimum (top) circumference of 19 in (disregard the effect of the larger, lower cross-sectional areas because of taper; i.e., assume a cylindrical column).

From wire manufacturers' tables, no. 4/0 copper wire has a diameter of 0.528 in and a weight of 640.5 lb per 1000 ft; and 397,500-cmil ACSR has a diam-

eter of 0.806 in and a weight of 620.6 lb per 1000 ft. The total weight, including ice, for 200 ft (100 ft on each side of pole) for the copper conductors is 2120 lb plus 500 lb allowed for four cross arms, insulators, etc., or 2620 lb. For the ACSR conductors, it is 2840 lb, plus the same 500 lb, or 3340 lb.

The cross-sectional area at the top of a class 5 pole is

$$A = \pi r^2 = \pi \left( \frac{19}{2\pi} \right)^2 = \frac{90.25}{3.14} = 28.7 \text{ in}^2$$

This may be rounded off to 25 in<sup>2</sup>.

Conservatively, the dead weight of the copper conductors is 2750 lb divided by 25 in<sup>2</sup>, or 110 lb/in<sup>2</sup>; that of the ACSR conductors is 3500 lb divided by 25 in<sup>2</sup>, or 140 lb/in<sup>2</sup>.

---

\*Traditionally, the wire manufacturing industry has used the abbreviations cm and mcm for circular mils and thousands of circular mils. However, as the metric system becomes more familiar in the United States, the abbreviation cm is more likely to be mistaken for centimeters and the prefix m- for a multiplier of 10<sup>-8</sup>. Therefore, throughout this book the more current U.S. abbreviation cmil will be used for circular mils; for thousands, either the number will be spelled out in full, or the multiplier 108 will be given, whichever is appropriate.

---

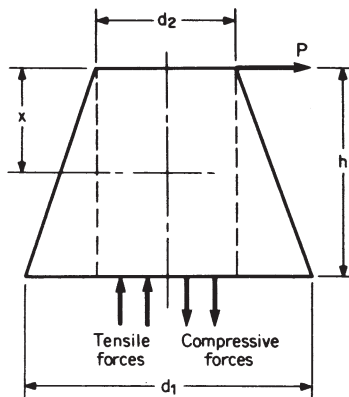


Figure 5-2. Diagram of stresses on pole.

The maximum permissible compressive stress for wood ranges from about 300 lb/in<sup>2</sup> for western red cedar to 600 lb/in<sup>2</sup> for southern long-leaf yellow pine.

For the horizontal loading, the pole can be considered a cantilever beam anchored at one end with a load applied at the other. The bending

moment produces stresses in the wood, with the maximum fiber stress occurring at the edge of the cross section farthest from the neutral axis; the stresses are compressive on the side on which the load is pulling and tensile on the opposite side. Refer to Figure 5-2.

### *Bending Moment*

The bending moment  $M$  is equal to the horizontal force applied  $P$ , multiplied by its perpendicular distance to the point where failure may occur,  $h$ , usually taken at the ground line.

$$M = Ph$$

### *Maximum Fiber Stress*

The maximum fiber stress  $f$  at any cross section is

$$f = M \frac{c}{I}$$

where  $c$  is the distance from the extreme fibers of cross section to the neutral axis and  $I$  is the moment of inertia of the cross section. For a circular cross section, where  $d$  is the diameter,

$$c = 1/2d$$

$$I = \frac{\pi d^4}{64} = 0.0491d^4$$

so that

$$f = \frac{M}{0.0982d^3}$$

and

$$\frac{I}{c} = \frac{\pi d^3}{32} = 0.0982d^3 \quad (\text{called the section modulus})$$

### *Wind Pressure*

In arriving at  $M$ , if  $P$  is the wind pressure on the length of the conductor, including its coating of ice, and  $h$  the distance or height from the ground at which the circular cross section is to be determined, the total moment for the several conductors that may be supported is the sum of

the values of  $Ph$  for all the conductors.

To this must be added the wind pressure on the pole itself. Here, the longitudinal cross section of the pole may be broken down into a rectangle and a triangle, as indicated in Figure 5-2.

The pressure on the rectangle ( $P_R$ ) will be

$$P_R = P_1 d_2 h$$

where  $P_1$  is the unit pressure in pounds per square inch. Its moment  $MR$  about the base will be

$$M_R = (P_1 d_2) \frac{h^2}{2}$$

The pressure on the triangle ( $P_T$ ) will be

$$M_T = (P_1 d_1) \frac{h}{2}$$

and its moment about the base will be

$$M_T = P_1 (d_1 - d_2) \frac{h^2}{6}$$

and the total pressure on the pole ( $P_p$ ) will be

$$P_p = P_1 h \frac{d_1 + d_2}{2}$$

and the total moment on the pole ( $M_p$ ) will be

$$M_p = P_1 h^2 \left( \frac{d_2}{3} + \frac{d_1}{6} \right)$$

The total moment the pole must accommodate will be the sum of the moments for the several conductors and the moment on the pole itself.

#### EXAMPLE 5-2

Assume a 40-ft pole (required for clearance) set 6 ft in the ground with three no. 4/0 stranded copper conductors on a cross arm with the conductors

level at the top of the pole, and 150-ft balanced spans, in a heavy loading area (see Table 5-1).

The moment due to wind on the conductors when ice-coated is as follows. No. 4/0 stranded copper wire has a diameter of 0.528 in; allow 1 in of ice, for a unit diameter of 1.528 in of area to the wind.

$$M = 3 \frac{1.528 \text{ in}}{12 \text{ in/ft}} (150 \text{ ft} \times 4 \text{ lb/ft}^2)(40 - 6 \text{ ft})$$

$$= 7792.8 \text{ ft}\cdot\text{lb or } 93,513.6 \text{ in}\cdot\text{lb}$$

The moment on the pole itself due to wind (for an estimated diameter at the top of 8 in, and 12 in at the bottom) is as follows:

$$M = \frac{4}{144} (34 \times 12)^2 \times \left(\frac{8}{3} + \frac{12}{6}\right) = 21,580 \text{ in}\cdot\text{lb or } 1798 \text{ ft}\cdot\text{lb}$$

Say 700 lb/in<sup>2</sup>.

The ultimate fiber stresses for several woods and the resultant factors of safety for those woods are as follows.

<i>Wood</i>	<i>Ultimate stress, lb/in<sup>2</sup></i>	<i>Factor of safety</i>
Northern white cedar	3,600	5+
Western red cedar	5,600	8
Long-leaf yellow pine	7,400	10+
Wallaba	11,000	15+

The total moment at the pole is 9591 ft•lb; say 9600; multiplied by a factor of safety of 2, it is 19,200 ft•lb; say 20,000.

From the ASA Standards Table of Wood Pole Classification, for a 40-ft class 5 pole, the resisting moments at 6 ft from the butt, nearest to this value but greater, are as shown in Table 5-2. Any of these poles will sustain the loading due to wind.

As a check, the pole circumference *C*, in inches, required to withstand a bending moment *M*, in foot-pounds, for a wood having a permissible fiber stress *f*, in pounds per square inch, is:

$$C = 3 \sqrt{\frac{3790M}{f}}$$

Assume long-leaf yellow pine, *f* = 7400 lb/in<sup>2</sup>, is used.

$$C = \sqrt[3]{\frac{3790 \times 20,000}{7400}} = 21.71 \text{ in}$$

This is the minimum required, as opposed to the 31.5-in actual circumference. The difference provides a margin which insures the performance of the pole should it rot at the ground line and reduce the cross-sectional area there.

**Table 5-2. Resisting moments and data for 40-ft poles.**

<i>Wood</i>	<i>Class</i>	<i>Resisting moment, ft·lb</i>	<i>Circumference, in</i>	
			<i>Minimum, at top</i>	<i>6 ft from butt</i>
Northern white cedar	5	60,800	19	40.0
Western red cedar	5	60,700	19	34.5
Long-leaf yellow pine	5	60,900	19	31.5

From ASA Standards Table of Wood Pole Classifications.

Because of the wide discrepancies that occur in the structure of the wood, average values based on tests and experience are used in compiling standard values. Hence, the results from computations cannot be exact, but are sufficient for practical purposes of design.

### EXAMPLE 5-3

While the ground line is almost always assumed to be the weakest cross section of the pole, theoretically this occurs at a point above the ground where the diameter is 1.5 times the diameter where the resultant load, i.e., the total moment divided by the total load, is applied. Refer to Figure 5-2, where

- $P$  = total load applied where diameter is  $d_2$   
 $d$  = diameter at weak section at distance  $x$  from  $P$

$$t = \text{taper of pole} = \frac{d_1 - d_2}{h} = \frac{d - d_2}{x}$$

At  $d$ , the bending stress is:

$$f_d = \frac{Px}{0.0982(d_2 + tx)^3}$$

For  $f$  to be at a minimum, the first derivative  $df/dx$  must equal 0. If this is so, then

$$d_2 + tx - 3tx = d_2 - 2tx = 0$$

$$d_2 = 2tx = 2(d - d_2)$$

$$d = \frac{3}{2} d_2$$

Substituting this value and expressing  $x$  in terms of  $h$  gives:

$$f_d = \frac{Ph}{0.662(d_1 - d_2)d_2^2}$$

in which the maximum unit stress at the weakest point is given in terms of the known dimensions  $h$ ,  $d_1$  and  $d_2$ .

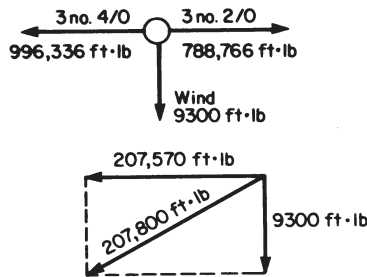


Figure 5-3. Unequal loading on pole.

The conductors supported by a pole are in tension and also cause a loading to be applied on the pole at the first point of support. Where the conductors are in a straight line and the span lengths on both sides of the pole are equal, the loadings caused by the conductors are equal and opposite in direction and cancel each other. Where the conductors on each side of the pole are different, or where there is an offset or change in direction of the line, or where the conductors dead-end on the pole, the pole will be subjected to loadings for which provision should be made. The same principles are employed in obtaining moments acting on the pole, and this can best be illustrated by the following examples.



**EXAMPLE 5-4**

Assume that the 40-ft pole in Example 5-2 supports three no. 4/0 bare stranded copper conductors in one direction and three no. 2/0 bare stranded copper conductors in the other in a straight line; there are 150-ft spans in both directions. Refer to Figure 5-3.

The moment on the pole caused by the wind for the three no. 2/0 conductors is as follows:

$$M = 3 \times \frac{1.418}{12} \times \frac{150}{2} \times 4 \times 34 = 3616 \text{ ft}\cdot\text{lb}$$

For the three no. 4/0 conductors (from Example 5-2),

$$M = 1/2 \times 7792 = 3896 \text{ ft}\cdot\text{lb}$$

For the 40-ft pole, from Example 5-2,

$$M = 1798 \text{ ft}\cdot\text{lb}$$

Assume that the ultimate strength of the copper conductors is 37,000 lb/in<sup>2</sup> and that they are sagged to one-half their ultimate strength. The total moment on the pole caused by conductor tension, for the three no. 2/0 conductors, is:

$$M = 3 \times 0.418 \times \frac{37000}{2} \times 34 = 788,766 \text{ ft}\cdot\text{lb}$$

For the three no. 4/0 conductors,

$$M = 3 \times 0.528 \times \frac{37,000}{2} \times 34 = 996,336 \text{ ft}\cdot\text{lb}$$

The difference between the two is 207,570 ft·lb (say 207,600 ft·lb). The total moment on the pole from conductor tension and wind is:

$$M = \sqrt{M_c^2 + M_w^2} = \sqrt{207.6^2 + 9.3^2} \times 10^3 = 207.8 \times 10^3$$

Multiplied by 2 for a factor of safety,  $M = 415.6 \times 10^3$ ; say 420,000 ft·lb.

To find the pole circumference required to withstand this bending moment, assume  $f = 7400 \text{ lb/in}^2$  for long-leaf yellow pine:

$$C = \sqrt[3]{\frac{3790 \times 420 \times 10^3}{7400}} = 59.91 \text{ in. at ground line}$$

This is beyond the strength of a 40-ft pole of the maximum class, 00; a guy should be installed.

Check for the possibility of using a wallaba pole,  $f = 11,000 \text{ lb/in}^2$ :

$$C = \sqrt[3]{\frac{3790 \times 420 \times 10^3}{11,000}} = 52.50 \text{ in. at ground line}$$

A 40-ft wallaba pole of maximum class 00 will not accommodate this loading; a guy is still required.

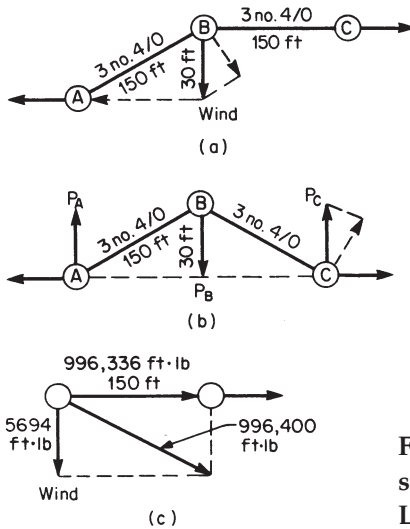


Figure 5-4. Loadings due to (a) offset in line and (b) bend in line. (c) Loading due to dead end.

**EXAMPLE 5-5**

Assume the same 40-ft pole and three no. 4/0 stranded copper conductors, level with the top of the pole, with equal 150-ft spans on each side, as in Example 5-2, but with the line offset this time by 30 ft, as shown in Figure 5-4a. The moments on pole B due to the conductors, from Example 5-4, from A toward B, and B toward C, are 996,336 ft·lb, and:

$$X = \sqrt{150^2 - 30^2} = 146.96 \text{ ft}$$

where  $X$  is the portion of the conductors exposed to wind. The moment on pole B, the portion in line with BC, is:

$$M_{BC} = \frac{146.96}{150} \times 996,336 = 976,144 \text{ ft}\cdot\text{lb}$$

The moment on pole B due to wind for one 150-ft span, from Example 5-4, is 3896 ft·lb, and:

$$M_{Bw} = 3896 + \frac{146.96}{150} \times 3896 = 7713 \text{ ft}\cdot\text{lb}$$

The total moment on pole B, in line, is  $996,336 - 976,144$ , or 20,192 ft·lb. At right angles, it is 199,267 ft·lb, or  $(30 \text{ ft} + 146.96 \text{ ft}) \times 976,144$ . The wind moment is 7713 ft·lb, and the total right-angle moment is 206,980 ft·lb.

say

$$M_B = \sqrt{20,192^2 + 206,980^2}$$

$$\sqrt{20^2 + 207^2} \times 10^3 = 208,000 \text{ ft}\cdot\text{lb}$$

Multiply by 2 for the factor of safety; the result is 416,000 ft·lb. For pine,

$$C = 3 \sqrt{\frac{3790 \times 416,000}{7400}} = 59.73 \text{ in. at ground line}$$

This is beyond the strength of the 40-ft maximum pole class, 00; a guy is required.

Check for possible use of a wallaba pole,  $f = 11,000 \text{ lb/in}^2$ :

$$C = 3 \sqrt{\frac{3790 \times 416,000}{11,000}} = 52.33 \text{ in. at ground line}$$

This is also beyond the strength of the 40-ft maximum pole class, 00; a guy is still required.

It must be noted that the right-angle and wind moment on pole B actually amount to less than what is indicated because the vector sum of the moments is that shown by the dashed line in Figure 5-4a. Since this is less than was calculated above, the error introduced is on the safe side.

Similar procedures are used in determining the moments on, and the adequacy of, poles A, B, and C, as shown in Figure 5-4b.

**EXAMPLE 5-6**

Assume that the 40-ft pole in Example 5-2 supports three no. 4/0 bare stranded copper conductors dead-ended on the pole, with a span of 150 ft, as shown in Figure 5-4c.

The moment on the pole due to three no. 4/0 conductors with a 150-ft span, from Example 5-5, is 996,336 ft•lb. The moment on the pole due to wind on the conductors is 3896 ft•lb, and that due to wind on the pole is 1798 ft•lb. The total moment on the pole due to wind is 5694 ft•lb.

$$\text{Total moment on pole} = \sqrt{996.3^2 + 5.694^2} \times 10^3 = 996,316 \text{ ft}\cdot\text{lb}$$

Multiply by 2 for a factor of safety:

$$M = 1,992,632 \text{ ft}\cdot\text{lb}$$

For pine,

$$C = \sqrt[3]{\frac{3790 \times 1993 \times 10^3}{7400}} = \sqrt[3]{1,020,000} = 100.65 \text{ in.}$$

This circumference is much beyond any 40-ft pole, pine or wallaba (from the conclusions in Example 5-5). Guying must be used or other means employed to accommodate the loading safely.

*Equipment on Poles*

Poles supporting transformers, capacitors, regulators, switches, or other equipment support loads which are principally compressive in nature; the equipment also adds to the wind loading. Since the center of gravity projects out from the pole, a moment is created on the upper portion of the pole, pivoting about its lower point of support. Ordinarily, the pole class selected for supporting the conductors, with its factors of safety included, is capable of carrying this additional load safely. For larger-scale equipment installations, however, a pole one class greater than that adequate for the conductors is specified.

**CROSS ARMS**

Cross arms are now almost limited to carrying polyphase circuits in areas where appearance is not of paramount importance. They are also used where lines cross each other or make abrupt turns at large angles

to each other. They are used as alley or side arms in which the greater part of their length extends on one side of the pole to provide adequate clearances where pole locations may be affected by limited-space rights-of-way. Cross arms are shown in Figure 5-5.

### Loadings

The cross arm acts as a beam, supported at the point of attachment to the pole, and must be capable of being subjected to vertical loadings from the weight of the conductors (encased in ice) and a 225-lb worker (specified as an additional safety measure). It is also subjected to horizontal loadings stemming from winds and from tension in the conductors where the tensions on each side of the pole do not cancel each other; e.g., where spans or conductors are not the same on each side of the pole, at dead ends, bends, or offsets in the line, or where consideration is given to conductor breaking contingencies.

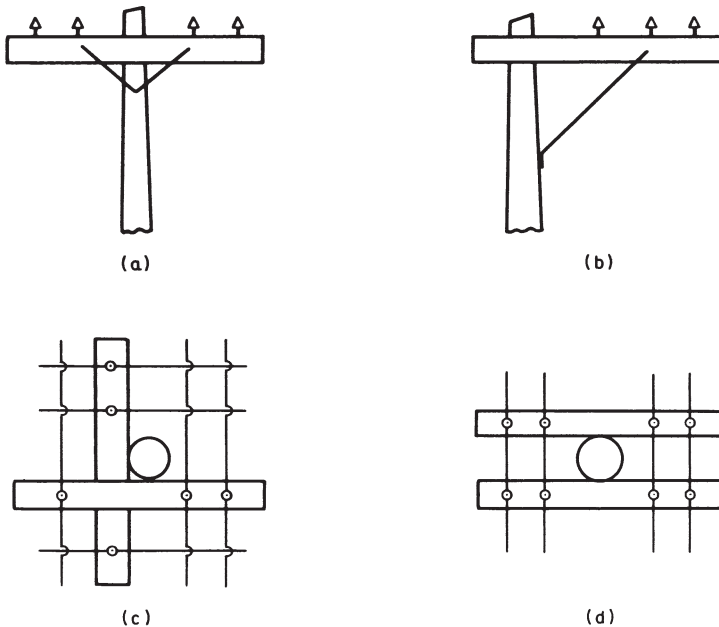


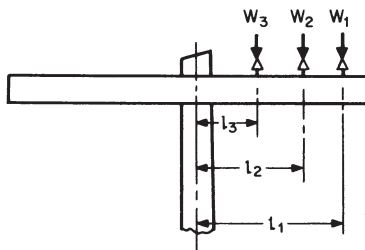
Figure 5-5. Uses of cross arms: (a) line arm; (b) side arm; (c) buck arm; (d) double arms.

**Stresses**

The same principles for determining stresses in beams as were applied in the case of poles may also be applied to cross arms; see Figure 5-6.

*Bending Moment*

The total bending moment  $M$  is equal to the sum of all the individual loads multiplied by their distances from the cross section under consideration. Ordinarily, the weakest section should be at the middle of the arm where it is attached to the pole. At the pin holes, however, the cross section of the cross arm is reduced and may, under unusual circumstances, be the weakest point in the cross arm. The determination can easily be made by computing unit fiber stress at the several points. Like the pole, the cross arm acts as a beam and the same formula for determining stresses may be employed:



**Figure 5-6. Bending moment on cross arm.**

$$f = \frac{M}{lie}$$

where  $f$  = maximum unit fiber stress occurring at extreme edges of cross section, lb/in<sup>2</sup>

$M$  = total bending moment, in•lb

$I$  = moment of inertia of cross section

$e$  = distance from neutral axis to extreme edge, in

The moment of inertia for a rectangular cross section is

$$I = \frac{1}{12} bd^3 \quad \text{and} \quad c = \frac{d}{2}$$

so that the section modulus

$$\frac{I}{c} = \frac{1}{6} bd^3$$

where the neutral axis is parallel to side  $d$ , as shown in Figure 5-7.

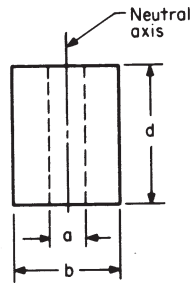


Figure 5-7. Cross-arm cross section.

Where the cross section is reduced by a pinhole in the cross arm, the section modulus becomes:

$$\frac{I}{C} = \frac{1}{6}d\left(b^2 - \frac{a^3}{b}\right)$$

where  $a$  is the diameter of the hole.

#### EXAMPLE 5-7

Assume a standard 8-ft six-pin arm mounted at its center on a pole, supporting six conductors, each of which, with a half-inch coating of ice, has a maximum weight of 100 lb. The lengths, or moment arms, from the center of the arm to each of the pins are respectively 15, 29-1/2, and 44 in.

The moment *about* the first pin hole from the pole is:

$$M = 100 \text{ lb} \times 14\text{-}1/2 \text{ in} + 100 \text{ lb} \times 29 \text{ in} = 4350 \text{ in}\cdot\text{lb}$$

With the 3-1/2- × 4-1/2-in cross section reduced by a 1-in pin hole, the section modulus at that point is:

$$\frac{I}{c} = \frac{1}{6} (3.5 - 1.0) \times 4.5^2 = 8.4375$$

and the fiber stress is:

$$f = \frac{M}{I/c} = \frac{4350}{8.4375} = 515.56 \text{ lb/in}^2$$

### Double Arms

When fiber stresses approach the maximum safe values for a particular kind of wood (always keeping in mind a factor of safety of 2), two arms or double arms are used. Ordinarily, these are found at dead ends, at points where loads are greatly unbalanced (such as large offsets or bends in the line), and at intermediate points along a long line to limit damage in the event that conductor breaks create severe load unbalances on the supporting structures.

The two arms are placed one on each side of the pole and bolted together near the ends, and often at intermediate points. Properly constructed, with spacers of wood or steel between the arms, the structure created would act as a truss with strengths of 10 to 12 times that of a single arm, or 5 to 6 times that of the two arms considered individually. Since such quality trusses may not always be constructed in the field, prudence dictates that only the ultimate fiber strength equivalent to that of two cross arms be considered. Where the loadings on the arms may exceed their fiber strengths, the arms may be guyed, as shown in Figure 5-8, or steel arms may be substituted for wooden ones.

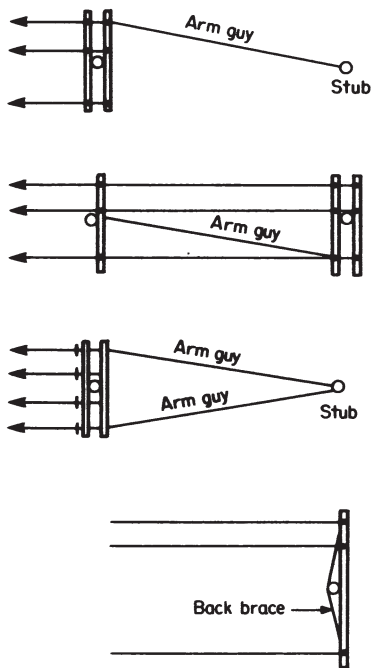


Figure 5-8. Typical arm guys.

5-8, or steel arms may be substituted for wooden ones.

Douglas fir and long leaf yellow pine are the most popular kinds of wood used for cross arms, though other kinds may also be found in use. Their ultimate bearing strengths are listed in Table 5-3.

Bearing strength on an inclined surface at an angle to the direction of the grain is given as follows:

$$f_a = f \sin^2 a + n \cos^2 a$$

where  $a$  is the angle of inclination of the load to the direction of the grain.

### Cross-arm Braces

Cross arms fastened to poles are usually steadied in position by braces. Flat braces, usually flat strips



Table 5-3. Ultimate bearing strength of wood, lb/in<sup>2</sup>

<i>Wood</i>	<i>End-grain bearing <math>f</math></i>	<i>Cross-grain bearing <math>s</math></i>
Long-leaf yellow pine	5000	1000
Douglas fir	4500	800
Western red cedar	3500	700
Cypress	3500	700
Redwood	3500	700
Northern white cedar	3000	700

of galvanized steel bolted to the cross arm and fastened to the pole by a lag screw, are most commonly used. The support given the cross arm by the flat braces is questionable, and is usually neglected in determining the effects of loads on the cross arm. Where the cross arm is not symmetrically loaded on each side of the pole, the brace on the load side is in compression and is of little benefit because of its slenderness; the brace on the other side is in tension and aids in transmitting some of the load to the pole, but does not reduce the bending moment.

For heavier loads, a preformed brace made of angle iron, of larger cross section than the flat brace, aids in supporting the loads on the cross arm. Here, the moments acting on the cross arm are usually computed about the point of attachment of the angle brace to the cross arm.

For alley or side arms, an angle-iron brace is used; usually it is a straight length with the ends adapted to be fastened to the arm and the pole. The brace transmits a considerable part of the load on the arm to the pole; when all the load on the arm is beyond the brace, the vertical compressive stress on the brace may be even greater than the load. The points of attachment at the cross arm and at the pole are important; the smaller the angle between the pole and the brace, the greater the load transmitted to the pole. On the other hand, as the length of the brace increases, the slenderness ratio (the brace acting as a slender column) becomes larger and the effectiveness of the brace diminishes.

### **Bolts**

The stability of a cross arm and its strength rely heavily on the strength of the bolts through which the stresses are transmitted. The distribution of stresses on the through bolt holding the cross arm to the pole are shown in Figure 5-9a. The vertical load on the cross arm is transferred by the bolt to the pole.

The unit pressure on the bolt in the cross arm is:

$$P_a = \frac{W}{b_2 d}$$

where  $d$  is the diameter of the bolt; the maximum unit pressure in the pole is:

$$P_p = \frac{W}{b_2 d}$$

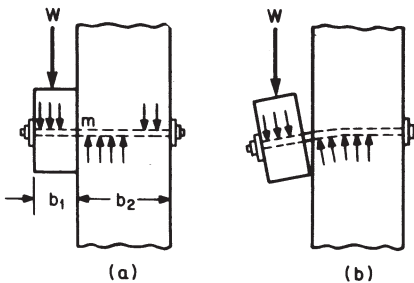
The maximum unit pressure must not exceed the bearing value of the wood, or distortion will take place. As the ultimate strength of the wood is approached, the bolt will tend to bend as the fibers of the wood begin to give way, as shown in Figure 5-9b.

## PINS

### Loading

Pins are subject to both vertical and horizontal loadings. The vertical loading results from the weight of the conductor and its half-inch radial coating of ice. The horizontal loading stems from the wind, from differential tensions in adjacent conductor spans, from non tangent spans, or from broken-wire conditions in which the tensions in the conductor spans become unbalanced.

Under vertical load, the pin acts as a simple column, transmitting its load to the cross arm at the shoulders resting on the cross arm. The stress is equal to the load divided by the area under pressure, the area of the shoulder resting on the cross arm. This component is usually not large compared with the other components acting on the pin and is often neglected.



**Figure 5-9. Action on bolt holding cross arm to pole.  $m$  is point of maximum shear stress.**

Under horizontal loadings, the pin acts as a cantilever beam, and the maximum stress occurs at the point where the

pin rests on the arm; refer to Figure 5-10. The bending moment  $M$  is equal to the load  $P$  multiplied by the distance of the conductor above that point ( $h$ ):

$$M = Ph$$

The maximum fiber stress is usually considered to be at the point where the shoulder comes in contact with the cross arm. Its unit value, in pounds per square inch, may be calculated:

$$f = \frac{Ph}{0.0982d^3}$$

where  $d$  is the diameter of the shank of the pin.

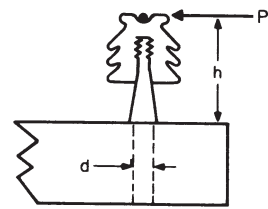
Since the balancing of moments may occur at the edge of the shoulder of the pin (for either wood or metal) rather than at the edge of the shank of the pin, some crushing effect may take place on the wood of the cross arm, which may affect its strength substantially. In such instances, the weak point may occur at the cross section of the pin above the cross arm; the value may be found by substituting the diameter of the pin at about one-third of the distance down from the point of the conductor attachment, approximately the diameter at the weak point.

#### *Double Pins*

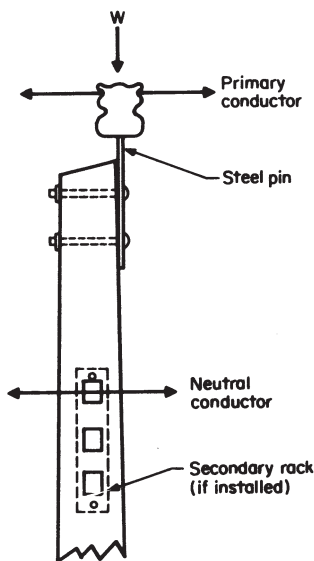
Double pins, one on each of the double arms, are used where the strength of one pin is inadequate.

#### *Pins in Lieu of Cross Arms*

The advent of wye primary systems employing a common neutral with the secondary (situated on the pole in the secondary position) allowed single-phase primary conductors to be supported on a steel ridge pin, as shown in Figure 5-11. The vertical loading on the pin, the weight of the ice-coated conductor, is transmitted to the pole through the bolt by which the pin is attached to the pole. Horizontal loadings, from both wind and conductor tension, act on the pin as a cantilever beam, and the same analysis of stresses in the pin, bolt, and pole applies here as with cross arms.



**Figure 5-10. Loading on pins.**



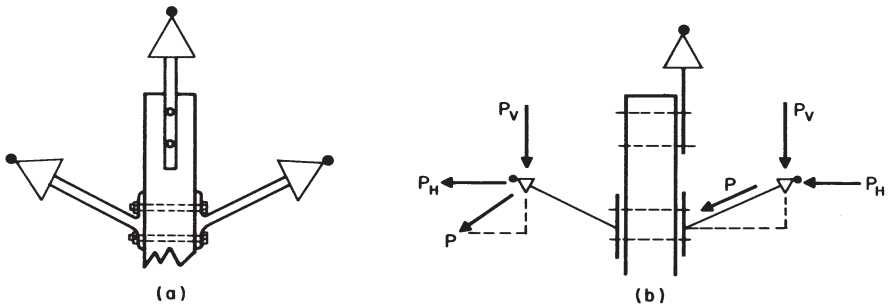
**Figure 5-11. Pin support for single-phase primary.**

In polyphase systems, the conductors may be supported on pins attached directly to the pole, eliminating the use of cross arms (this method of support is sometimes referred to as “armless construction”). This not only makes for a neater appearance, but, as indicated earlier, improves electrical performance by mitigating the voltage drop due to the reactance of the line. (The arrangement and spacing of the conductors accounts for the lessened reactance. Also, this construction employs bucket trucks or platforms for easier access to the conductors.)

In this instance, the vertical loading acts on the end of the pin, with the pin acting as a cantilever beam; the bending stress occurs at the pole, and the fiber stresses on the pin are calculated in the same manner described above for cross arms and poles. The horizontal loading acts to create compressive stresses in the pin, which acts as a slender column. Again, this component is small compared with the other components and is often neglected. On the other side of the pole, however, the horizontal forces act to pull the conductor away from the pole; while there is ample strength for the tensile stress imposed on the pin and the bolts with which it is attached to the pole, these forces do dictate that the conductors be so attached to the insulators as to ensure the conductor will not be separated from the insulator under the stresses imposed.

For higher voltages, additional space requirements may necessitate longer pins or the installation of insulated conductors (or both). The pins may be attached to the pole as indicated in Figure 5-12. Here, the stresses on the pin from both the vertical and horizontal loads impose bending moments about the bottom of the pin at the pole. The moments and stresses on the pins and supporting bolts, indicated in Figure 5-12, are computed in the same fashion as for the cases mentioned above.

For all applications of the pins, a minimum strength of 700 lb per pin is usually specified in withstanding unbalanced tension in a conductor supported by the pin.



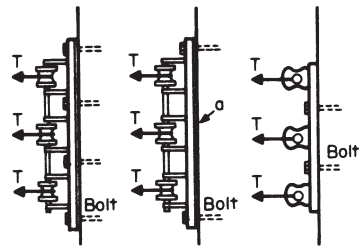
**Figure 5-12. Pins in lieu of cross-arm construction. (a) Use of long steel pins. (b) Stresses on long steel pins.**

## SECONDARY RACKS

Secondary racks usually support three spool insulators mounted on a common shaft attached to a steel backing that is bolted to the pole by one or more bolts (though sometimes, depending on the stress to be accommodated, a lag screw may take the place of a bolt). The spool insulators are usually spaced 8 in apart, although sometimes less. If the rack is properly mounted, the insulators may fail before the rack.

### Loadings

The loading on secondary racks has both vertical and horizontal components; see Figure 5-13. The vertical loading consists of the weight of the conductors (with the coating of ice) of both the mains and services attached to them. With spool-type racks, the load is carried by small arms acting as cantilever beams, supporting the insulators. Generally, the insulator is located between two such arms, but only the lower one carries the load. With the knob-type rack, the vertical load is transmitted to the rear plate by the U bolts attaching the insulators to the plate, and to the pole by the bolts attaching the rack to the pole.



**Figure 5-13. Loading on secondary racks.**

The horizontal load is due to wind acting on ice-laden conductors and the tension in them, for both the secondary mains and the services. If the rack is attached to the pole by a bolt under each insulator, the strength of the back plate plays little part, as the stress is transmitted almost directly by the bolts. Where the spool-type rack is mounted with the bolts at the ends only (or by a bolt and a lag screw), the back of the rack acts as a cantilever beam supported at both ends, with the load applied at each of the points where the arms are attached to the back. The greatest stress is at the point in the back where either of the two arms supporting the middle insulator is attached, the bending moment being greatest at that point. In the knob-type rack, both the vertical and horizontal loadings are transmitted to the back of the rack and through the mounting and bolts to the pole.

Where the conductors dead-end on a rack mounted on the side of a pole (or where there is an unbalanced pull from broken conductors), the side pull on the rack is limited by the strength of the arms or the U bolts supporting the insulators. It is preferable to mount the rack on the face of the pole, with the arms and U bolts supporting the insulators in tension, and the stresses transmitted to the pole almost directly by the mounting bolts.

In general, like pins, conductor fastenings should be able to withstand a 700-lb stress.

### *Messenger Clamp*

As mentioned earlier, when the secondary conductors are cabled about the neutral conductor acting as the supporting messenger, a clamp supporting the neutral is bolted to the pole. Here, both the vertical and horizontal loadings are transmitted to the pole by the through bolt by which the clamp is attached to the pole.

## INSULATORS

Insulators used on overhead distribution systems are made of porcelain, glass, and, more recently, synthetic materials. Glass insulators, though no longer widely installed, exist in abundant numbers and will probably remain in service for some time. Several types of insulators employed in distribution line designs are discussed below.

## Loadings

In general, porcelain has relatively little tensile strength but excellent strength in sustaining compressive stresses, properties substantially true also of glass. Lines are therefore so designed that the insulator materials will be in compression when carrying the (mechanical) loads imposed on them.

### *Pin Type*

As the name implies, pin-type insulators are mounted on pins (of wood or metal) and the conductors are fastened to them. Their strengths (in compression) are usually greater than those of the pins upon which they are mounted. The dimensions of the insulating material necessary to meet the mechanical requirements are usually ample in meeting the electrical requirements, including surge voltages when wet.

### *Post Type*

The post-type insulator is essentially a pin-type insulator that incorporates its own steel pin. Vertical loads are provided for by the porcelain, while horizontal loads act to create a moment about the point of attachment to the pole. Stress is transmitted by its steel core (or pin) to the cross arm or pole.

The post-type insulator is meant to be installed in a vertical (or near-vertical) position but is also sometimes installed horizontally (or nearly so) in lieu of cross arms to carry the conductors of a polyphase primary circuit; see Figure 5-14. Here, the horizontal loadings create compressive stresses on one side of the pole and tensile stresses on the other, both of which are transmitted through the steel core to the pole. Vertical loadings create a compressive stress in the porcelain between the conductors and the inner steel core or pin; this stress is transmitted to the steel pin, which in turn transmits it to the pole; see Figure 5-12. In instances where the post insulators are mounted at an angle to the pole, the stresses created will be the horizontal and

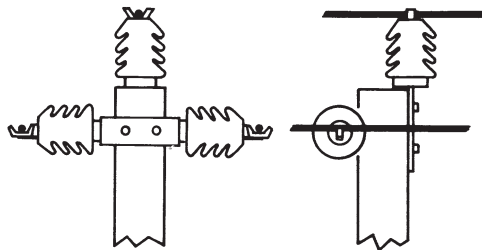


Figure 5-14. Use of post-type insulators.

vertical vector components of the forces acting on the porcelain and the steel pin.

One advantage of the pin- or post-type insulator is that, if it is mounted on a cross arm, a shorter pole is required to achieve the same height of the conductor above ground than is needed for suspension- or strain-type insulators.

### *Suspension or Strain Type*

The suspension- or strain-type insulators are also known as disk or string insulators. They are not generally used on distribution circuits except at turning points and at dead ends, where pins and pin-type insulators may not provide sufficient strength; they are particularly useful in providing for the unbalance of stresses caused by broken conductors where pins, and even double pins, may be inadequate and some form of insulated clamp or other means of attachment is required. Here the conductors are dead-ended on each side of the pole, and the disk insulator, designed for heavy loadings of 10,000 to 20,000 lb (and similar to those used for transmission lines, but smaller in diameter), serves this purpose. Often, two or more such disks are assembled as a unit to accommodate higher operating voltages.

### *Strain-ball Type*

The strain-ball type of insulator has been used to dead-end lower-voltage primary and secondary conductors, and as an insulator in guy wires in older installations; many still exist. Here, the porcelain is under compression, accommodating the stresses imposed on it. Standard ratings include strengths (in compression) of 10,000, 12,000, and 15,000 lb.

### *Spool Type*

Insulators of the spool type are associated with secondary racks, described earlier, and are standardized in design. The compressive strength of the spool porcelain is usually greater than the strength of the other parts of the rack.

### *Other*

Types Among the other types of insulators are knob types, sometimes used for services and on secondary racks, and other shapes for use as bushings, bus supports, and other purposes.



## GUYS AND ANCHORS

### Stresses

When the horizontal loads imposed on poles and cross arms may exceed the safe carrying strengths of the wood involved (or the holding power of the soil), guys of steel wire are usually installed to take up or counteract the excessive stress. The various types of guys are shown in Figure 5-15. Note that the guys take up the horizontal stresses and distribute them to other cross arms, to other poles and into the ground, or

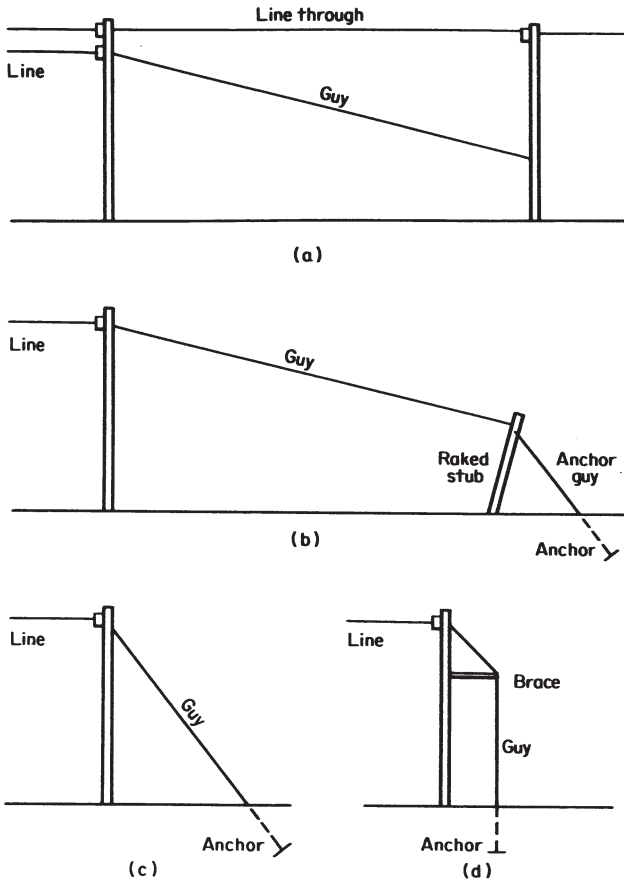


Figure 5-15. Typical pole guys: (a) pole-to-pole guy; (b) pole-to-stub guy; (c) anchor guy; (d) sidewalk guy.

directly into the ground. The structural and environmental conditions peculiar to each situation dictate the type of guy used.

#### *Arm Guys*

Several forms of arm guy have been previously discussed under the subject of cross arms. The guy is normally attached to the end of the cross arm having the heavier load and is carried down to an anchor or to another pole; sometimes the guy wire is attached to the lighter-loaded end of the cross arm and carried back to the adjacent pole in the direction in which the load is pulling. Where the cross arm, or the double arms, may be overstressed, both ends of the cross arm or arms may be guyed. Any deviation of these guys from the horizontal imposes a vertical compressive load on the cross arm (equal to the vertical component of their tensions) and this loading must be included when considering the design of the poles.

#### *Head Guy*

In the case of the head guy, the guy wire extends from the head of the pole under load at an angle to a point on an adjacent pole at a height above ground sufficient to provide for clearance requirements. The load thus applied to the adjacent pole reduces the ground-line moment (the horizontal pull of the wire multiplied by its height on the pole) applied to this receiving pole.

#### *Stub Guy*

The stub guy is another form of head guy, the receiving pole being a stub or strut to maintain clearance; the stub usually has an anchor guy attached to it and may be raked so that the force acting on the stub will produce a compressive stress as much as possible.

#### *Sidewalk Guy*

Another form of anchor guy is the sidewalk guy, which uses a strut extending horizontally from the pole at the height for which clearance is specified, the anchor being buried as nearly vertical from the end of the strut as practical. This guy places a bending moment equal to the lateral component of support times the distance between the strut and guy attachments to the pole. The maximum bending moment at the pole base, however, is reduced by this type of guy.

### Storm Guy

Long and straight pole lines having no side taps and unshielded from the elements are guyed four ways, both parallel to and at right angles to the line, at locations based on judgment and experience. This serves to minimize damage resulting from accidents or severe storms and caused by uneven stresses from broken poles and conductors.

### Crib Bracing

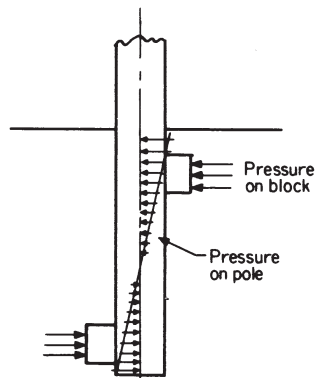
Although not perfectly attainable, pole designs aim for a rigid structure, one that will not move in the ground when an unbalanced horizontal load is applied at its top. In large part, the depth setting of the pole and the kind of soil determine whether the full length of the pole can be utilized.

Where unbalanced loads cannot be served by guys because of space limitations, appearance, consumer requirements, or other reasons, resort is had to *cribbing* or *crib bracing*. Here, planks, logs, sections of poles, or steel anchors are installed at the base of the pole to provide additional holding power; see Figure 5-16. The tension of the conductors on the pole is reduced by increasing their sag until the total moment at the ground line is within the strength limitations of the pole; the cribbing is then installed and the space about the pole refilled and tamped. The addition of cribbing does *not* add to the strength of the pole.

### Loading

The loads imposed on guys are generally due to the tension in the conductors and the angle between adjacent conductor spans, if any; the magnitude of the tension depends on the size of the conductor, its loading (including wind and ice), and the sag in the span. The design limits are usually based on the elastic limit of the conductors (e.g., 50 to 60 percent of the ultimate strength of copper). The usual stress is generally less than that, as the design limits are based on the worst assumed loading conditions, which are approached only occasionally.

The stress on the pole at an angle in



**Figure 5-16. Stresses on cribbed pole.**

the line is also due to tension in the conductors, but only a component of that tension is handled by the guy; the amount depends on the size of the angle in the line. Refer to Figure 5-17a.

If  $T$  is the total tension caused by all the conductors, and  $a$  is the angle of the line, the component of the total tension  $T$  in line with the guy is

$$T_a = T \sin \frac{a}{2}$$

and the total stress handled by the guy is twice that, or

$$T_{\text{guy}} = 2T \sin \frac{a}{2}$$

If the tensions in the two spans are not balanced, then the resultant stress will be the vector sum of the two, and will be the stress handled by the guy. Wind pressure on the pole itself must also be taken into account in determining the total load to be handled by the guy.

If the angle is large, usually more than  $60^\circ$ , the loading on the guy bisecting the angle will be greater than the dead-end loading of the line, and it is generally better to install two guys, considered as dead-end guys, if practical.

The guy should be attached as near as practicable to the center of loading of the loads it supports. Where the individual loads act at different elevations, they should be converted into an equivalent single load at the point of attachment of the guy. Referring to Figure 5-17b, if  $T_p$  is the loading (say of the primary) at height  $h_p$ ,  $T_s$  is the loading (say of the secondary) at height  $h_s$ ,  $P_w$  is the wind pressure on the pole assumed to be concentrated at height  $h_w$  and  $L_H$  is the equivalent horizontal loading, then

$$L_H = \frac{T_p h_p + T_s h_s + P_w h_w}{h}$$

Since the guy is not usually horizontal, the actual tension in it will be greater than  $L_H$ . If  $b$  is the angle the guy makes with the horizontal, then the loading in the guy,  $L_G$ , is:

$$L_G = \frac{L_H}{\cos b}$$

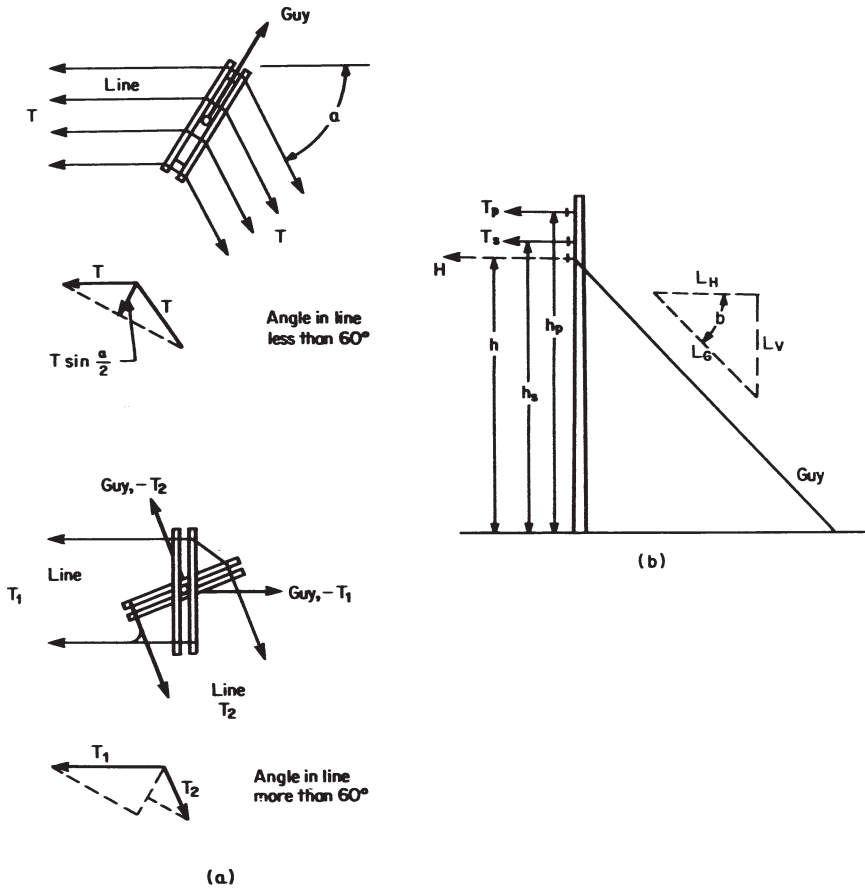


Figure 5-17. Loading on guys. (a) Guys at angles. (b) Guy loading.

The vertical component  $L_v$  is:

$$L_v = L_H \tan b \quad \text{or} \quad L_v + L_G \sin b$$

and acts as an additional vertical load on the pole.

**EXAMPLE 5-8**

Assume three no. 4 medium-hard-drawn copper primary conductors dead ended at the top arm 33 ft above the ground, and 4 no. 2 soft-drawn copper cabled secondaries dead-ended 2 ft below, or 31 ft above the ground; a pole face area of 25 ft<sup>2</sup>; and a wind pressure of 4 lb/ft<sup>2</sup> applied one-third the distance down from the top arm, or 22 ft above the ground. The guy is attached 30 ft above ground at an angle of 45°.

$$\begin{aligned} T_p &= 3 \times 950 &= 2850 \text{ lb} \\ T_s &= 4 \times 990 &= 3960 \text{ lb} \\ P_w &= 25 \times 4 &= 100 \text{ lb} \end{aligned}$$

$$L_H = \frac{(2850 \times 33) + (3960 \times 31) + (100 \times 22)}{30} = 7300 \text{ lb}$$

$$L_G = \frac{7300}{\cos 45^\circ} = \frac{7300}{0.707} = 10,325 \text{ lb}$$

If the guy is attached at a point too far from the center of the load, a significant stress may be imposed on the pole, as the section of the pole above that point acts as a beam, and the moment at that point will be approximately

$$M = T_p(h_p - h) + T_s(h_s - h) - P_w(h - h_w)$$

and the fiber stress in the pole at the point of attachment of the guy will be

$$f = \frac{M}{0.0982d^3}$$

where  $d$  is the diameter of the pole at this point.

Guy wires should be attached to the pole as near as possible to the center of the load; when installed, they should take the entire horizontal load, with the pole acting as a strut.

**Guy Wires**

Guy wire is made of stranded steel cable (usually 7 or 19 strands) so that the failure of one or two strands will not cause the immediate failure of the cable. The strands are usually galvanized or copper-clad to

resist the effects of weather. The strands may be of mild steel or high-strength steel, but must be of sufficient strength to support the loads imposed on the guy. Such steel wires usually come in four grades of strength, and standards further specify that guy wires not be stressed beyond 75 percent of their ultimate strengths. Wires are manufactured in diameter differences or steps of  $n$  in, but sizes less than  $1/32$  in or greater than  $1/4$  in are seldom, if ever, used, two or more guys being employed if stresses greater than the maximum strength of the guy wire are required. In practice, however, only three sizes are usually stocked and specified: light, medium, and heavy; they are often referred to by their maximum permissible strengths, e.g., 6000-lb, 10,000-lb, and 20,000-lb (6M, 10M, and 20M).

The characteristics of steel wire used for guys are given in Table 5-4.

Guy wires are attached to poles and cross arms by eye bolts, thimbles, clamps, clips, hooks and plates, and special guy bolts which have the eye shaped and bent at an angle to accommodate the wire.

**Table 5-4. Guy wire characteristics.**

<i>Wire Class</i>	<i>Ultimate strength, lb/in<sup>2</sup></i>	<i>Elastic limit, lb/in<sup>2</sup></i>
Standard	47,000	24,000
Regular	75,000	38,000
High-strength	125,000	69,000
Extra high-strength	187,000	112,000

Weight of steel wire:  $0.002671$  lb/in<sup>3</sup>.

Modulus of elasticity:  $29 \times 10^6$ .

Coefficient of linear expansion:  $11.8 \times 10^{-6}/^{\circ}\text{C}$ ;  $6.62 \times 10^{-6}/^{\circ}\text{F}$

Within the  $\frac{1}{8}$ - to  $\frac{1}{2}$ -in range, for the four classes of wire, ultimate strengths vary from a minimum of 1900 lb to a maximum of 27,000 lb.

### Push Braces

Where guys are impractical to install, push braces are sometimes installed. These are essentially compression-type "guys." The pole used for a brace must be of sufficient length for the purpose and its class must be capable of withstanding the compressive stress imposed on it. This stress is the vector sum of the horizontal and vertical loads on the pole

being reinforced in the direction of the axis of the pole as a brace. Figure 5-18 illustrates such a brace and the stresses imposed on it.

### Anchors

The holding power of the anchor should obviously match the strength of its associated guy wire. In general, the holding power will depend on the area the anchor offers the soil, the depth at which it is buried as a function of the weight or resisting force of the soil, and the kind and nature of the soil.

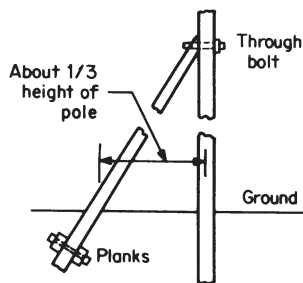


Figure 5-18. Push brace.

### Types of Anchors

Anchors come in many shapes and types. They may be classified into four general types:

1. Buried logs, planks, or plates attached to the end of a rod.
2. Screw anchors, screwed into the soil at varying depths. A very large screw anchor, known as the swamp anchor, is used in swampy areas.
3. Expanding anchors, in which a plate in sections is folded into a small diameter, the unit set into a small-diameter hole (or at the bottom of a pole), and the anchor rod screwed or pounded into it so that the sections spread out, biting into the adjacent soil. If the expanding anchor plate is divided into eight sections, for example, the anchor is known as an eight-way expanding anchor.
4. Rock anchors, which are merely rods driven into the rock, hard shale, or hardpan, at approximately right angles to the guy wire. The depth at which they are installed will vary with the strength required and the character of the rock.

### Soils

Soils may be classified very roughly as indicated in Table 5-5A; anchor requirements for the different classes of soil are shown in Table 5-5B. Moist soils will vary in their classification during the year because of changes in moisture content, and the worst condition should be considered for design purposes.



Table 5-5A. Classification of soils.

<i>Class</i>	<i>Description</i>
1	Hard rock: solid.
2	Shale, sandstone: solid or in adjacent layers.
3	Hard, dry: hardpan, usually found under class 4 strata.
4	Crumbly, damp: clay usually predominating. Insufficiently moist to pack into a ball when squeezed by hand.
5	Firm, moist: clay usually predominating with other soils commonly present. Sufficiently moist to pack into a firm ball when squeezed by hand (most soils in well-drained areas fall into this classification).
6	Plastic, wet: clay usually predominating as in class 5, but because of unfavorable moisture conditions, such as in areas subjected to seasonally heavy rainfall, sufficient water is present to penetrate the soil to appreciable depths and, though the area be fairly well drained, the soil becomes plastic during such seasons, and when squeezed will readily assume any shape (a soil not uncommon in fairly flat areas).
7a	Loose, dry: found in arid regions, sand or gravel usually predominating (filled-in or built-up areas in dry regions fall into this class, and as the name implies, there is very little bond to hold the particles together).
7b	Loose, wet: same as loose, dry for holding power; high in sand, gravel or loam content. Holding power in some seasons is good, but during rainy seasons soil absorbs excessive moisture readily with resultant loss of holding power, especially in poorly drained areas. This class also includes very soft wet clay.
8	Swamps and marshes.

Courtesy Long Island Lighting Co.

## CONDUCTORS

### Tensions and Sags

The stringing of conductors on an overhead system presents other problems than those created by their dead weight and the effects of wind and ice on them. If they are stretched too tightly between poles, the stresses imposed on the pole structure (including pins, insulators, cross arms, racks, and hardware) would be such as to render them impractical. The stresses on the conductors themselves increase rapidly as remaining sag is eliminated, causing them to exceed their elastic limits by any small movement of the pole or conductor. The result would be greater permanent elongation, a reduction in overall cross section of the conductor, and a greater possibility of conductor failure.

On the other hand, if they are stretched too loosely, the swaying or deflection of the conductors would necessitate exceedingly wide spac-

**Table 5-5B. Selection of anchors—approximate holding power, lb**  
 Diameter of screw or expanded anchor plate; diameter and length of rod

Soil class	Type of anchor and rod size					
	Screw*		Expanding		Swamp**	
	8-in 1 in × 5.5 ft	Eight-way 8-in ¾ in × 8 ft	Eight-way 10-in 1 in × 10 ft	Four-way 12-in 1¼ in × 10 ft	13-in 2-in pipe	15-in 2-in pipe
1***	NR	NR	NR	NR	NR	NR
2***	NR	NR	NR	NR	NR	NR
3	NR	26,500	31,000	40,000	NR	NR
4	11,000	22,000	26,500	34,000	NR	NR
5	8,000	18,500	21,000	26,500	NR	NR
6	6,500	15,000	16,500	21,500	NR	NR
7	3,500	10,000	12,000	16,000	NR	NR
8	NR	NR	NR	NR	12,000	15,000

\*Screw anchors are used especially in temporary installations because of easy removal.

\*\*At least one 10-ft length of 2-in pipe should be installed; additional lengths should be installed until pipe can no longer be turned (say, by four workers operating the wrenches).

\*\*\*Special rock anchors of varying holding power should be used.

NR—Not recommended.

Courtesy Long Island Lighting Co.

ing, in both the horizontal and vertical planes, with the support system approaching impracticability. The final construction should, therefore, provide for sufficient sag so that the elastic limit of the conductors will not be exceeded by a sufficient margin, while maintaining clearances that may be required under the probable conditions that may be encountered.

The tension in a conductor may be controlled by maintaining a proper sag in it, the tension being approximately inversely proportional to the sag. The sag in a conductor must be determined not only by the loading conditions (i.e., light, medium, or heavy), but also by probable temperature variations; local physical conditions and restrictions of codes and regulations must also be taken into consideration.

### Calculation

In calculating sags and tensions in a conductor, the loading is assumed to be applied uniformly over its length, with the conductor capable of assuming its final shape freely, that of a catenary. To simplify

the calculation, the loading can be assumed to be uniformly applied over its span, as shown in Figure 5-19, resulting in a parabola. For relatively short spans, such as are found in distribution systems, the error is well within the practical limits of construction practices in the field, and may be neglected. (For long transmission spans, however, the differences become significant and reference should be made to calculating catenary methods for such lines.)

For parabolas, the relation between sag or deflection  $d$ , tension  $T$ , and span length  $L$  is expressed:

$$d = \frac{wL^2}{8T}$$

where  $d$  and  $L$  are in feet,  $T$  in pounds, and  $w$ , the resultant load (conductor, ice, etc.), in pounds per foot.

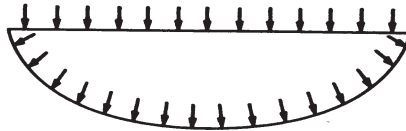


Figure 5-19. Uniform loading on conductors.

For long spans, the horizontal component  $H$  of the tension in the conductor is given by the right-angle triangle relation:

$$H^2 = T^2 - (wx)^2$$

where  $x$  is one-half the length of the conductor in the span, but may be taken as approximately one-half the length of the span itself. The conductor, at the point of support where the tension  $T$  is maximum, is at an angle  $\tan^{-1} (wx/H)$  to the horizontal; its length  $l$  compared to the span length  $L$  is given by

$$l = L + \frac{8d^2}{3L}$$

where  $d$  is the sag in feet.

The sags and tensions vary with temperatures; they are usually calculated at a "standard" temperature (say 60°F) and adjusted to other

temperatures. As the temperature increases, the conductor expands and becomes longer; the sag increases and the tension in the conductor decreases. The elongation of a conductor from temperature *change* is equal to its length  $l$  multiplied by the change in temperature  $t$  and the coefficient of expansion  $e$ :

$$\text{Elongation} = lte$$

Likewise, if the tension is lessened, the elongation of the conductor decreases, as does the sag; if the loading on the conductor is increased, the tension and the accompanying elongation are increased, increasing in turn the sag and decreasing the tension. The elongation, or change in length, because of change in tension is given by:

$$\text{Change in length} = \frac{T_1 - T_2}{aE}$$

where  $T_1 - T_2$  is the *change* in tension,  $a$  is the cross-sectional area, and  $E$  the modulus of elasticity.

### *Unequal Spans*

It is often impractical to have all spans of equal length, but each span in a level line should have approximately the same tension, with differing sags or severe stresses imposed on the supporting structure. Where the difference in adjacent span lengths is large, the conductors of the unequal adjacent spans should be dead-ended on the common pole.

### *Different Elevations*

Conductors suspended between supports at different elevations must be sagged so that the low point occurs between the center of the span and the lower support; if the low point is higher than the lower support, an uplifting force will develop that may upset the balance of the lower support. As temperatures and loadings change, the low point will move horizontally along the span. For purposes of design, it may be assumed that this point remains fixed.

Referring to Figure 5-20, the sags and tensions are based on the half-span between that point and the upper support, the sag being measured from a horizontal line through the upper support. The location of the low point may be determined approximately:

$$x_1 = \frac{S}{2} + \frac{ht}{Sw} \quad \text{or} \quad x_1 = \frac{\sqrt{d}}{\sqrt{d-h} + \sqrt{d}}$$

$$x_2 = S - x_1 \quad \text{or} \quad x_2 = \frac{S}{2} \left( 1 - \frac{h}{4d_1} \right)$$

and

$$d_2 = d_1 \left( 1 - \frac{h}{4d_1} \right)^2$$

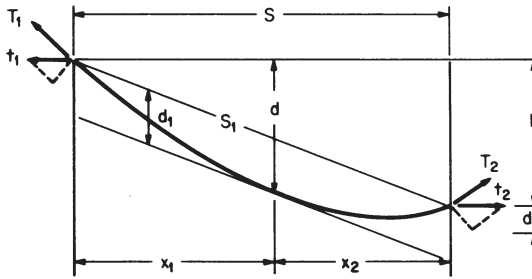


Figure 5-20. Span with supports at different elevations.

The horizontal components of the conductor tensions  $t_1$  and  $t_2$  must be equal and the vertical component must be greater on the upper support; that is,  $t_1$  must be greater than  $T_2$  and

$$T_1 = T_2 + wh$$

where  $w$  is the weight per foot of conductor.

The sag in the inclined span is more nearly equal to the sag in a level span of a length equal to  $S_1 + (S_1 - S)$ . For practical purposes, however, the sag may be computed as if the supports were on the same elevation and the span length were  $S$ ; the sag may be conveniently measured as the vertical distance  $d$  from the line through the points of support.

### Sag for ACSR

The processes described for determining sag pertain to conductors of a single, homogeneous material, e.g., copper, aluminum, or steel. For composite conductors, such as ACSR, the stresses on each of the different materials of the conductors are taken into consideration. At low levels of tension, the permanent set in the aluminum strands and the slight loose-

ness of the steel cause all the load to be carried by the steel strands; the conductor stretches as if it consisted only of the steel strands. For greater loads, however, the aluminum and steel work together essentially as a single conductor.

Temperature changes change the length of the aluminum and steel strands in relation to each other, and also the point at which the steel and aluminum strands work together. The distribution of the tension between the steel and aluminum strands also changes, creating, in turn, a different expansion or contraction of the composite conductor. The coefficient of expansion for the composite conductor is, therefore, not the same at all tensions as it is in conductors of one material only.

This coefficient of expansion for the composite conductor may be derived with sufficient accuracy for practical purposes from the coefficients of expansion  $a$  and the modulus of elasticity  $E$  and the percent area  $H$  for each of the metals involved:

$$E_{AS} = E_A H_A + E_S H_S$$

and

$$a_{AS} = a_A \frac{E_A H_A}{E_{AS}} + a_S \frac{E_S H_S}{E_{AS}}$$

### EXAMPLE 5-9

For a no. 4/0 ACSR conductor,

$$E_A = 9 \times 10^6 \quad H_A = 0.857 \quad a_A = 12.8 \times 10^{-6} \text{ per } ^\circ\text{F}$$

$$E_S = 29 \times 10^6 \quad H_S = 0.143 \quad a_S = 6.6 \times 10^{-6} \text{ per } ^\circ\text{F}$$

$$E_{AS} = 9 \times 10^6 \times 0.857 + 29 \times 10^6 \times 0.143 = 11.860 \times 10^6$$

and

$$a_{AS} = 12.8 \times 10^{-6} \times \frac{7.713 \times 10^6}{11.860 \times 10^6} + 6.6 \times 10^{-6} \times \frac{4.147 \times 10^6}{11.860 \times 10^6}$$

$$= 10.632 \times 10^{-6} \text{ per } ^\circ\text{F}$$

Sag is a limiting factor in the allowable horizontal spacing between conductors because of the possibility of their whipping together in the wind. Typical minimum separation distances are shown in Table 5-6.

As a practical matter, for distribution systems, the construction, maintenance, and operating conditions, including climbing and working space, and experience—all are reflected in the standards for separation distances that exceed the minimum requirements (based on electrical considerations).

## GRADES OF CONSTRUCTION

Good engineering practice recognizes different conditions and circumstances, in which prudence dictates that construction reflect the hazards involved and the potential consequences of failure. Construction is divided into three grades labeled B, C, and N, in declining order of importance.\* These specify greater factors of safety in the utilization of materials, e.g., poles and conductors. See Table 5-7.

In general, grade B construction is specified for all supply circuits crossing over railroad tracks; for open-wire supply circuits of over 7500 V or constant-current circuits exceeding 7.5 A where crossing over communication circuits; and in urban and suburban districts.

Grade C construction is specified for open-wire supply circuits of over 7500 V in rural districts where crossing over or in conflict with supply circuits of 0 to 750 V, excepting services; and for open-wire supply circuits of 750 to 7500 V in urban districts under nearly all conditions except as noted for grade B construction, and also where crossing over or in conflict with communication circuits.

Grade N construction is specified for all other types of construction where grade B or C construction is not specified.

Conflict with communication lines includes not only those structures where the two are on the same pole, but also where they are so near each other that the overturning of one at the ground line would cause it to fall onto the other.

---

\*The fourth edition (1940) of the National Electric Safety Code specified five grades of construction for power lines: A, B, C, D, and E. Later editions simplified these and grades A and E were eliminated; grade A was combined with B, grade E combined with D, and grade N established, generally defined as “safe construction.” Grades B, C, and N apply to power lines, and are specified in later editions.

**Table 5-6. Typical conductor separation.**

<i>Voltage between conductors</i>	<i>Minimum horizontal spacing</i>	<i>Minimum vertical spacing</i>
Up to 8700	12 in	16 in
8701 to 50,000	12 in, plus 0.4 in for each 1000 V above 8700 V*	40 in
Above 50,000	Same as for 8701 to 50,000 V	40 in, plus 0.4 in for each 1000 V above 50,000 V

\*This is approximate. To determine spacing, the following formulas are specified. For conductors (copper or the equivalent) smaller than no. 2 AWG:

$$S = 0.3E + 7\sqrt{\frac{d}{3}} - 8$$

For conductors larger than no. 2 AWG:

$$S = 0.3E + 8\sqrt{\frac{d}{12}}$$

where the separation *S* is in inches, the line voltage *E* is in kilovolts, and the greatest sag *d* of the conductor at 60°F is in inches.

For current industry recommended values, refer to the latest revision of the National Electric Safety Code.

## CLEARANCES

Prudent design provides for the safety of both the public and the worker when in the vicinity of power lines; moreover, it is desirable that interruptions to electric service be held to a practical minimum. In addition to adequate construction, certain clearances should be maintained between energized conductors and the surrounding structures in both horizontal and vertical planes. The NESC recommends minimum clearances for most of the situations that may be normally encountered.

Clearances include those between conductors and the ground, along and across roads, walkways, driveways, and railroads, and those over buildings and structures; these are shown graphically in Figure 5-21a. Clearances between conductors and other lines, guy wires, service conductors, and communication circuits are shown in Figure 5-21b. These clearances are from conductors energized at both secondary and primary voltages at 60°F and no wind.



Table 5-7. Typical safety factors for poles and conductors.

<b>1. Safety factors for poles</b>			
<i>Situation</i>	<i>When installed</i>		<i>At replacement: treated or untreated poles</i>
	<i>Treated poles</i>	<i>Untreated poles</i>	
<b>At crossings: pole lines of one grade of construction throughout</b>			
Grade B	4.0	4.0	2.67
Grade C	2.0	2.67	1.33
Grade N	1.33	1.33	0.67
<b>Poles in isolated sections of higher-grade construction in pole lines of lower grade</b>			
Grade B	3.0	4.0	2.0
Grade C	2.0	3.0	1.33
Grade N	1.33	1.67	0.67
<b>Elsewhere than at crossings</b>			
Grade B	4.0	4.0	2.67
Grade C	2.0	2.0	1.33
Grade N	1.0	1.33	0.67
<b>2. Safety factors for conductors</b>			
Grade B 50 % of ultimate strength			
Grade C 50 % of ultimate strength			
Grade N 60 % of ultimate strength			
For current industry recommended values, refer to the latest revision of the National Electric Safety Code.			

During high winds, conductors may sway into trees, or tree branches may fall and come in contact with the conductors. These may cause grounds and short circuits as well as physical breakages of lines that cause them to fall to the ground. It is, therefore, necessary to provide safeguards to prevent such occurrences by maintaining liberal clearances to trees.

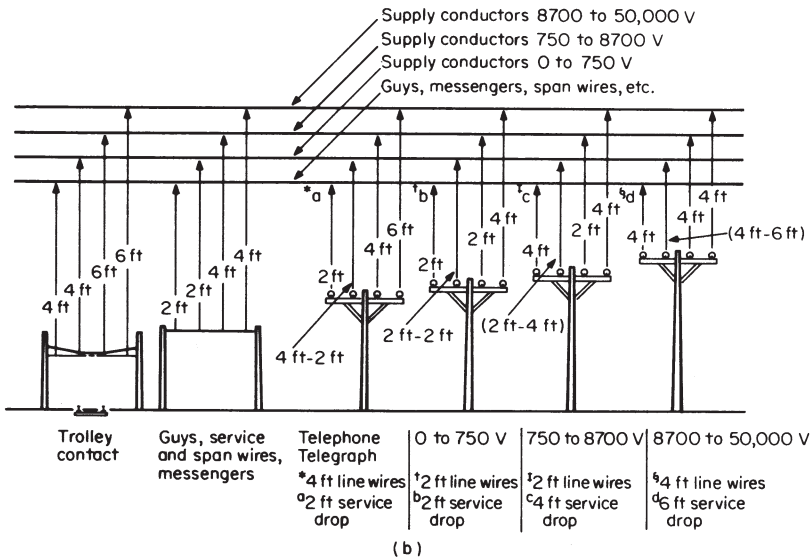
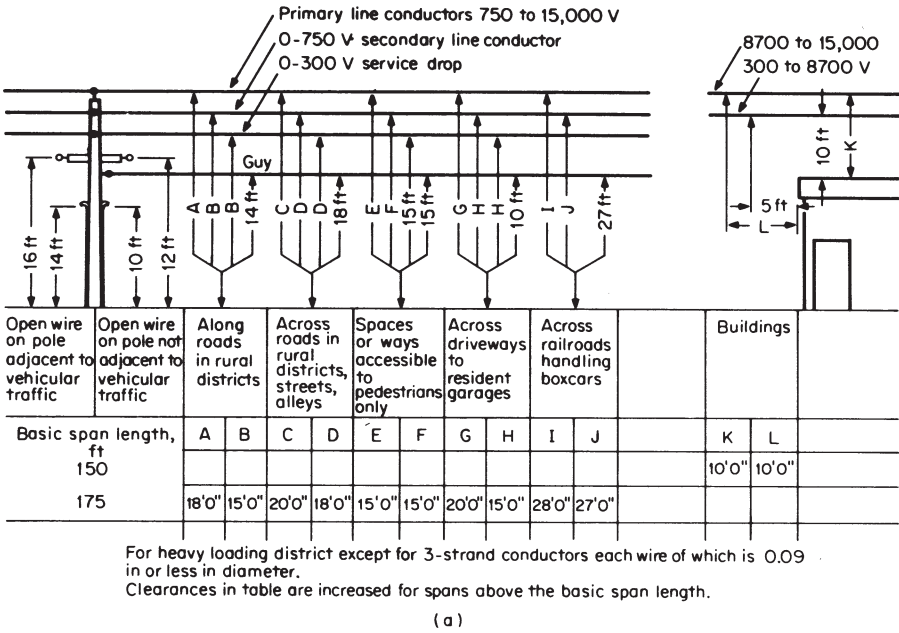


Figure 5-21. (a) Typical minimum basic clearances, feet and inches. (b) Typical minimum wire crossing clearances. (From E. B. Kurtz, *Line-man's Handbook*, 3d ed., McGraw-Hill, New York, 1955.)

## JOINT CONSTRUCTION

### **Advantages**

The joint use of poles for both electrical distribution and communication circuits, usually supplying the same consumers, has advantages that are well recognized. Not only are better appearance and cost savings achieved by a single line, but it is often easier to maintain proper clearances between the facilities of the several users when they are on the same pole and do not have to cross over or under each other. The largest employers of joint construction are the power and telephone utilities; others that may also be included are telegraph, traffic and special light controls, police and fire alarms, and (increasingly) cable television circuits. In rural areas, where appearance is not a paramount consideration, where long spans and lower clearances are permitted, and where services are few, joint construction may not prove practical.

In general, however, joint use appears desirable for urban and suburban areas, whether the facilities are located in streets and alleys, or on rear-lot lines and easements from which services to consumers are extended. Such construction, however, may require heavier loading of poles, frequent use of higher poles, often a greater grade of construction, additional guying, special maintenance procedures, and greater coordination between the joint users. Clearances between facilities and grades of construction are considered in the allotment of space on the pole and the distribution of costs and savings.

### **Stresses**

In determining stresses imposed on poles, those imposed by all the users must be taken into consideration. Typical wind loadings for several sizes of telephone cable, with a wind of 4 lb/ft<sup>2</sup> on wires covered with a half-inch of ice, are given in Table 5-8. Tension acts on the pole from the messenger only. Typical maximum loads for several sizes of steel wire are given in the discussion of guys and anchors in this chapter.

### **Space Allocation**

The space allotted on a pole for each purpose should be definitely specified. Usually the first point of attachment on a pole (from the ground up) is a communication conductor; its sag is taken into account to produce the minimum ground clearance at the center of its span. Other communication circuits follow above, with the neutral zone separating

**Table 5-8. Loadings on telephone cables.**

<i>Telephone cable sizes</i>	<i>Gauge (Cu)</i>	<i>Wind loading, lb/ft</i>
50-pair, including messenger	24	1.02
	22	1.03
200-pair, including messenger	24	1.23
	22	1.27
600-pair, including messenger	24	1.53
	22	1.54

them from the power circuit or circuits located at the top of the pole.

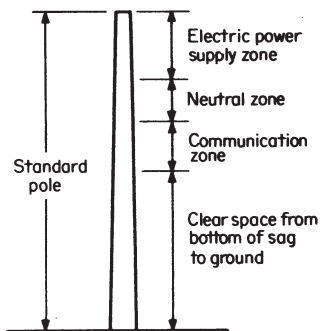
The division of space on a pole can be based on the assumption that the communication lines will take as much space as is necessary, with the power line taking the remainder above the neutral zone, making the construction conform to the space allowed. Refer to Figure 5-22. Another method specifies a standard division of space on a “standard pole”; since minimum ground clearance is not the same for all locations, more space may be allotted to the communication circuits than may be required. If more space is required by the power conductors, a higher pole may be necessary, unless agreement can be reached decreasing the communication requirements.

*Division of Costs*

The division of costs in joint use may be more complex than appears on the surface, and distribution engineers are usually assigned this chore. In general, there are two ways of accomplishing this: the pole can be jointly owned—i.e., each user owns a share of the pole; and it can be wholly owned by one user, who then rents space to the other users. While such divisions appear to be equitable and readily attainable, other factors complicate the process.

*Other Considerations*

In practice, poles are set and replaced by the power or telephone utilities. In many instances, the power utility has the equipment to set



**Figure 5-22. Allotment of space on joint-use standard pole.**

poles longer than 40 ft and is the sole utility stocking them. When emergencies occur, the power utility must respond as quickly as it can, while the telephone utility can defer its work until after the power crews complete their work. Where replacement of poles involving primary voltages above 5000 V is necessary, the power company is equipped to make the replacement, often cutting the old pole below the lowest power circuit, permitting the telephone crews to relocate their facilities to the new pole and remove the stub of the old pole without coming near the power lines. Also, tree trimming costs are almost always totally assumed by the power company although all users benefit.

Power lines on the top of the pole provide lightning protection for the facilities installed farther down. Obtaining rights-of-way, franchises, permits, etc., is usually done by one of the utilities. On the other hand, power lines may cause inductive interference in the operations of the other users, and can cause dangerous and widespread damage should they fall on the facilities of the others. Liability of each party in case of injury to workers or the public must be given consideration. These account for some—not all—the factors that the ingenuity of electrical distribution engineers and their counterparts in the communication utility must consider in order to come to an equitable and fair solution acceptable to all the parties concerned.

## PRACTICAL DESIGN METHODS\*

### General

While a pole line must be designed pole by pole and the necessary strength must be built into each section of the line, much of the repetitious, time-consuming, and tedious calculation can be eliminated through the use of previously prepared tables and charts. Deviations from calculated theoretical values are compensated for by the tolerances incorporated in the standardization of the component parts, by the application of relatively liberal factors of safety, by provisions for future growth, and by the approximation of values inherent in the determination of the strength of materials, especially of wood products (and these carry an even greater margin of safety when treated by preservatives).

Design procedures containing necessary instructions and engineer-

---

\*Adapted from Long Island Lighting Co. *Design & Application Standards*.

ing data are prepared for selecting the proper pole, guy, and anchor for each segment of distribution pole line construction.

Design considerations should include conductors and other equipment to be added in the future, based on available information at the time of design. Also, the loading of communication (usually telephone) conductors must be taken into account in the selection of poles and anchors; sizes of guy wires are often specified to accommodate only the power conductors, while those for telephone conductors are specified and installed by the telephone utility.

### Use of the Tables

The tension at which a conductor is installed on a pole is a function of its material, its size, and the thickness of the covering, if any, over the conductor. This tension (in pounds) multiplied by the height of the conductor above ground (in feet) gives a value of foot-pounds of energy applied at the ground line of the pole. This is also called the ground-line moment, and poles are rated according to their ability to resist the moment.

In order to evaluate the total ground-line moment on a pole, multiply each conductor's tension by its respective height above ground and then add the results together.

To simplify calculations, the tables express values in *units*, making the job of analysis one of simple addition. All conductors—primary, secondary, telephone—are compared to *one* reference conductor at the primary level, having a design loading tension of 150 lb and a unit value of 1.0.

---

#### EXAMPLE 5-10

A no. 1/0 bare aluminum conductor, with a loading tension of 1200 lb, is given a unit value of 1200 divided by 150, or 8.0; 336,400-cmil aluminum with a loading tension of 2000 lb thus has a unit value of 2000 divided by 150, or 13.3 units; and so forth.

---

---

#### EXAMPLE 5-11

A three-conductor no. 1/0 aluminum secondary cable is converted first to its reference unit value, i.e., 2000 divided by 150, or 13.3 units. This is referenced up to the primary position by multiplying this unit value by the ratio of secondary height to primary height: for a 40-ft pole, this is 30.5 ft divided by 33 ft, or 0.92. The resulting unit value is  $13.3 \times 0.92$ , or 12.3 units. This means that a no.

1/0 triplex secondary conductor is equivalent to 12.3 primary conductors, each with a loading value of 150 lb of tension.

---

### **Selecting the Pole**

The ability of a pole to be self-supporting depends on the class of the pole and the load it must carry (ignoring for the present the characteristics of the soil).

#### *Classes of Poles*

All wood poles are divided into classes based on thickness and circumference. One system uses five classes: 5, 4, 2, 0, and 00, ranging from moderately thin (class 5) to extra heavy (class 00).

Knowing the load, it is possible then to select the proper class of pole for each location and degree of loading. If the number of units of loading is greater than the number of units the pole can support by itself, either the pole must be guyed or the conductors slackened to reduce the tension. Tables 5-9, 5-10, and 5-11 provide the necessary data for selecting the proper size of pole.

#### *Heavier-class Poles*

Poles one class heavier than the class specified by the tables should be used for each of the following purposes:

1. Junction poles
2. Poles supporting alley or side arms
3. Poles supporting line disconnects (except in-line types) or fuse cut-outs

In addition, a pole of at least class 4 should be specified for dead-end poles, angle poles, and transformer (or capacitor, regulator, or other equipment) poles.

#### *Extra Heavy-class Poles*

Class 0 and class 00 poles are special oversize poles and are used primarily in the following situations:

1. In place of sidewalk guys, the most expensive guys to install
2. At an angle in the line in place of the combination of a span guy with a stub pole and sidewalk guy on the opposite side of the road

3. At T intersections, where normally a sidewalk guy or a span guy with a stub pole would be used
4. Where guying permission or rights cannot be obtained
5. To satisfy consumer complaints, by replacing an existing or proposed anchor guy

### Selecting the Guy Wire

When the loading exceeds the strength of a pole, the pole should be guyed. The physical location of the pole in the field will determine what type of guy should be used: anchor, span, head, or sidewalk type. Tables 5-12A and 5-12B provide the necessary data for selecting the proper size of guy wire and lead. Guy protectors should be installed on all anchor guys accessible to the public. When a pole line changes direction and the turn angle is less than 60°, the corner, or “pivot,” pole may be guyed with a single guy bisecting the angle. At angles greater than 60°, the pole should be guyed against the stress in each direction.

### Selecting the Anchor

Anchors come in many types and sizes, each designed for certain soil and guying conditions. While each will do its specific job better than another design of anchor, most find use under more than one set of conditions. Table 5-13 provides the necessary data for selecting the type and size of anchor.

### Sag Calculation

Occasionally, the stringing tension of the conductors must be lessened, either in conjunction with cribbing or because the wire tension is too great.

Increasing the sag reduces the tension, and the procedure for calculating new stringing sags based on the tension desired in the conductor is given below. Note that safe clearances must be maintained between conductors at all times.

#### *Sag Calculation for Slack Sections*

On dead-end poles where adequate guying or cribbing is not practical, the stringing sags for slack sections, limited to 100-ft spans, can be calculated by the formula:

$$S = \frac{wL^2}{8T} \quad (\text{Continued on page 202})$$



Table 5-9. Guying table: conductor loading values for 40-ft poles (in units)\*

<i>Conductor size</i>	<i>Maximum loading, lbs</i>	<i>Turn angle, degrees</i>						
		<i>5</i>	<i>10</i>	<i>15</i>	<i>20</i>	<i>25</i>	<i>30</i>	<i>35</i>
<b>Primary</b>								
Al 1/0 bare	1200	0.7	1.4	2.1	2.8	3.5	4.1	4.8
1/0 HDPE-PVC	1500	0.9	1.7	2.6	3.5	4.3	5.2	6.0
3/0 bare	1450	0.8	1.7	2.5	3.4	4.2	5.0	5.8
3/0 HDPE-PVC	1800	1.0	2.1	3.1	4.2	5.2	6.2	7.2
350,000-cmil bare	2000	1.2	2.3	3.5	4.6	5.8	6.9	8.0
350,000-cmil HDPE-PVC	2000	1.2	2.3	3.5	4.6	5.8	6.9	8.0
Cu 6 bare	640	0.4	0.7	1.1	1.5	1.8	2.2	2.6
3 bare	1070	0.6	1.2	1.9	2.5	3.1	3.7	4.3
2 PVC	1230	0.7	1.4	2.1	2.8	3.5	4.2	4.9
1/0 bare	1550	0.9	1.8	2.7	3.6	4.5	5.3	6.2
1/0 HDPE-PVC	2000	1.2	2.3	3.5	4.6	5.8	6.9	8.0
4/0 bare	1650	1.0	1.9	2.9	3.8	4.8	5.7	6.6
4/0 HDPE-PVC	2000	1.2	2.3	3.5	4.6	5.8	6.9	8.0
<b>Secondary</b>								
Al 3 c or 4c—all	2000	1.1	2.1	3.2	4.3	5.3	6.3	7.4
Cu 3c or 4c—6	640	0.3	0.7	1.0	1.4	1.7	2.0	2.4
3c or 4c—2	1500	0.8	1.6	2.4	3.2	4.0	4.8	5.5
4c—2	2000	1.1	2.1	3.2	4.3	5.3	6.3	7.4
<b>Telephone</b>								
6M	3600	1.8	3.4	5.1	6.8	8.5	10.2	11.8
10M	6000	2.9	5.7	8.6	11.4	14.2	17.0	19.8
16M	9600	4.6	9.2	13.7	18.2	22.7	27.2	31.6

\*The conductor loading value, in units, appropriate to each combination of conductor size and turn angle is the resultant force on the pole due to conductors pulling in two directions.

\*\*Conductor loading values for dead-end poles are in the 60° angle column.

Similar tables have been prepared for other pole sizes, from 25 to 55 ft.

Courtesy Long Island Lighting Co.

<i>Turn angle, degrees</i>										
<b>40</b>	<b>45</b>	<b>50</b>	<b>55</b>	<b>60**</b>	<b>65</b>	<b>70</b>	<b>75</b>	<b>80</b>	<b>85</b>	<b>90</b>
5.5	6.1	6.8	7.4	8.0	8.6	9.2	9.7	10.3	10.8	11.3
6.8	7.6	8.5	9.2	10.2	10.7	11.5	12.2	12.9	13.5	14.1
6.6	7.4	8.2	9.0	9.7	10.4	11.1	11.8	12.5	13.1	13.7
8.2	9.2	10.1	11.1	12.0	12.9	13.8	14.6	15.4	16.2	17.0
9.1	10.2	11.2	12.3	13.3	14.3	15.3	16.2	17.1	18.0	18.9
9.1	10.2	11.2	12.3	13.3	14.3	15.3	16.2	17.1	18.0	18.9
2.9	3.3	3.6	3.9	4.3	4.6	4.9	5.2	5.5	5.8	6.0
4.9	5.5	6.0	6.6	7.1	7.7	8.2	8.7	9.2	9.6	10.1
5.6	6.3	6.9	7.6	8.2	8.8	9.4	10.0	10.5	11.1	11.6
7.1	7.9	8.7	9.5	10.3	11.1	11.8	12.6	13.3	13.9	14.6
9.1	10.2	11.3	12.3	13.3	14.3	15.3	16.2	17.1	18.0	18.9
7.5	8.4	9.3	10.2	11.0	11.9	12.6	13.4	14.1	14.9	15.6
9.1	10.2	11.3	12.3	13.3	14.3	15.3	16.2	17.1	18.0	18.9
8.4	9.4	10.4	11.3	12.3	13.2	14.1	15.0	15.8	16.6	17.3
2.7	3.0	3.3	3.6	3.9	4.2	4.5	4.8	5.1	5.3	5.6
6.3	7.0	7.8	8.5	9.2	9.9	10.0	11.2	11.8	12.4	13.0
8.4	9.4	10.4	11.3	12.3	13.2	14.1	15.0	15.8	16.6	17.3
13.5	15.1	16.6	18.2	19.7	21.1	22.6	24.0	25.3	26.6	27.8
22.4	25.1	27.7	30.3	32.8	35.2	37.6	39.9	42.2	44.3	46.4
35.9	40.8	44.6	48.5	52.5	56.4	60.2	63.9	67.5	70.9	74.2

Table 5-10. Guying table: transverse loading values for 40-ft poles (in units).

Conductor size		Wind load, lb/ft	Average span length, ft									
			Long-span construction									
			75	100	125	150	175	200	250	300	350	400
<b>Primary</b>												
Al	1/0	0.566	0.3	0.4	0.5	0.6	0.7	0.8	0.9	1.1	1.3	1.5
	3/0	0.601	0.3	0.4	0.5	0.6	0.7	0.8	1.0	1.2	1.4	1.6
	336,000-cmil	0.655	0.3	0.4	0.5	0.7	0.8	0.9	1.1	1.3	1.5	1.7
Cu	3	0.524	0.3	0.3	0.4	0.5	0.6	0.7	—	—	—	—
	1/0	0.558	0.3	0.4	0.5	0.6	0.7	0.7	0.9	1.1	1.3	1.5
	4/0	0.609	0.3	0.4	0.5	0.6	0.7	0.8	1.0	1.2	1.4	1.6
<b>Secondary</b>												
Al 3c	4	0.572	0.3	0.4	0.4	0.5	0.6	0.7	—	—	—	—
	1/0	0.676	0.3	0.4	0.5	0.6	0.7	0.8	—	—	—	—
	3/0-1/0-1/0	0.725	0.3	0.4	0.6	0.7	0.8	0.9	—	—	—	—
	3/0	0.743	0.3	0.5	0.6	0.7	0.8	0.9	—	—	—	—
	336,000 cmil-3/0-3/0	0.749	0.3	0.5	0.6	0.7	0.8	0.9	—	—	—	—
Al 4c	1/0	0.708	0.3	0.4	0.5	0.7	0.8	0.9	—	—	—	—
	3/0-1/0-1/0-1/0	0.741	0.3	0.5	0.6	0.7	0.8	0.9	—	—	—	—
	3/0	0.780	0.4	0.5	0.6	0.7	0.8	1.0	—	—	—	—
	336,000 cmil-3/0-3/0-3/0	0.846	0.4	0.5	0.6	0.8	0.9	1.0	—	—	—	—
Cu 3c	6	0.519	0.2	0.3	0.4	0.5	0.6	0.6	—	—	—	—
	2	0.601	0.3	0.4	0.5	0.6	0.6	0.7	—	—	—	—
	1/0-2-2	0.636	0.3	0.4	0.5	0.6	0.7	0.8	—	—	—	—
	4/0-2-2	0.679	0.3	0.4	0.5	0.6	0.7	0.8	—	—	—	—

Cu 4c 6	0.556	0.2	0.3	0.4	0.5	0.6	0.7	—	—	—	—
2	0.622	0.3	0.4	0.5	0.6	0.7	0.8	—	—	—	—
1/0	0.657	0.3	0.4	0.5	0.6	0.7	0.8	—	—	—	—
4/0-1/0-1/0-1/0	0.707	0.3	0.4	0.5	0.7	0.8	0.9	—	—	—	—

### Copperweld-Alumoweld

Three no. 6 to $\frac{7}{8}$ in	0.480	0.2	0.3	0.4	0.4	0.5	0.6	—	—	—	—
---------------------------------	-------	-----	-----	-----	-----	-----	-----	---	---	---	---

### Unbalanced service

Concentric and twisted, 200 lb	—	1.2	1.2	1.2	1.2	1.2	1.2	—	—	—	—
-----------------------------------	---	-----	-----	-----	-----	-----	-----	---	---	---	---

### Telephone

6M	1.20	0.5	0.7	0.8	1.0	1.1	1.3	—	—	—	—
10M	1.50	0.6	0.8	1.0	1.2	1.4	1.6	—	—	—	—
16M	1.80	0.7	1.0	1.2	1.5	1.7	2.0	—	—	—	—
25M	2.10	0.9	1.1	1.4	1.7	2.0	2.3	—	—	—	—
Twin	0.50	0.2	0.3	0.3	0.4	0.4	0.5	—	—	—	—

The transverse loading value, in units, is the unbalanced loading force on the pole due to the wind blowing against the pole and conductors.

*Note:* Where the computed average span length does not equal one of the numbers heading the column, use the column headed by the number *closest* to the computed span length.

Similar tables have been prepared for other pole sizes, from 25 to 55 ft.

Courtesy Long Island Lighting Co.

Table 5-11. Guying tables: ground-line resisting moments for 40-ft poles (in units).

Pole class	Grade B construction								Grade C construction					
	Longitudinal loading		Dead-end loading		Angle loading		Vertical and transverse loading		Dead-end loading		Angle loading		Vertical and transverse loading	
	A	B	A	B	A	B	A	B	A	B	A	B	A	B
00	30.5	40.6	20.3	30.5	17.5	24.3	13.2	15.2	32.5	40.6	25.9	33.3	18.2	30.5
0	25.8	34.4	17.2	25.8	14.8	20.9	8.6	12.9	25.6	34.4	21.9	28.2	13.7	25.8
2	18.0	23.9	12.0	18.0	10.3	14.5	6.0	9.0	18.0	23.9	15.2	19.5	9.6	18.0
4	11.4	15.2	7.6	11.4	6.6	9.2	3.8	5.7	11.4	15.2	9.7	12.5	6.1	11.4
5	9.0	12.1	6.0	9.0	5.2	7.3	3.0	4.5	9.0	12.1	7.7	9.8	4.8	9.0

Ultimate strength values: A—when installed; B—at replacement.

*Directions.* Read down the appropriate column until a value is reached that is equal to or greater than the loading value computed from Tables 5-9 and 5-10. Looking left to the first column, read the class of pole to be used.

*Note:* If the pole comes out to be *greater* than a class 2, a smaller pole and guy should be specified. A class 5 pole is adequate for usual conditions; however, the pole selected should conform to other sections of this procedure. Use Table 5-12 to select the guy wire and Table 5-13 to select the anchor.

Similar tables have been prepared for other pole sizes, from 25 to 55 ft.

Courtesy Long Island Lighting Co.

**Table 5-12A. Guying table: guy wire and leads, ft., for 40-ft poles—grade B construction.**

Number of units	Alumoweld						Copperweld					
	Dead-end and angle loading			Transverse loading			Dead-end and angle loading			Transverse loading		
	6M	11M	17M	6M	11M	17M	6M	11M	17M	6M	11M	17M
10	11	5	3	—	10	7	13	6	4	—	12	8
11	12	6	4	—	11	8	14	7	5	—	13	9
12	13	7	5	—	13	8	16	8	5	—	15	9
13	14	8	5	—	14	9	18	9	5	—	17	10
14	15	8	5	—	15	10	19	9	6	—	18	11
15	17	9	6	—	17	11	21	10	6	—	21	12
16	18	9	6	—	18	11	—	11	7	—	—	13
17	21	10	6	—	20	12	—	11	8	—	—	14
18	—	11	7	—	—	13	—	13	8	—	—	15
19	—	11	7	—	—	14	—	13	8	—	—	16
20	—	12	8	—	—	15	—	14	9	—	—	18
21	—	13	8	—	—	16	—	15	9	—	—	18
22	—	13	9	—	—	17	—	16	10	—	—	20
23	—	14	9	—	—	18	—	17	10	—	—	—
24	—	15	9	—	—	19	—	18	11	—	—	—
25	—	15	10	—	—	20	—	18	11	—	—	—
26	—	16	10	—	—	—	—	20	12	—	—	—
27	—	17	11	—	—	—	—	—	13	—	—	—
28	—	18	11	—	—	—	—	—	13	—	—	—
29	—	19	12	—	—	—	—	—	13	—	—	—
30	—	20	12	—	—	—	—	—	14	—	—	—
31	—	—	13	—	—	—	—	—	15	—	—	—
32	—	—	13	—	—	—	—	—	15	—	—	—
33	—	—	13	—	—	—	—	—	16	—	—	—
⋮	⋮	⋮	⋮	⋮	⋮	⋮	⋮	⋮	⋮	⋮	⋮	⋮
38	—	—	16	—	—	—	—	—	19	—	—	—

*Directions.* (1) Read down the first column, number of units, to the total units of loading—power conductors only—computed from Tables 5-9 and 5-10. (2) Move to the right to the group of three columns that pertains to the type of loading on the pole; e.g., Alumoweld, transverse loading. (3) The number in each box is the ground-line distance (“lead” distance) in feet between the base of the pole and the anchor rod. (4) Looking up, the number at the head of each column (6M, 11M, 17M) corresponds to the guy wire.

*Note:* In certain cases of heavy loading, more than one (or one size of) guy wire may be required to do the job. Care should be taken to ensure that the lead distances are identical for the guy wires specified.

Similar tables have been prepared for other pole sizes, from 25 to 55 ft.

Courtesy Long Island Lighting Co.

Table 5-12B. Guying table: guy wire and leads for 40-ft poles—grade C construction.

Number of units	Alumoweld						Copperweld					
	Dead-end and angle loading			Transverse loading			Dead-end and angle loading			Transverse loading		
	6M	11M	17M	6M	11M	17M	6M	11M	17M	6M	11M	17M
10	8	4	3	15	8	5	9	5	3	18	9	6
11	9	5	3	17	8	5	10	5	3	20	10	6
12	9	5	3	18	9	6	11	6	3	—	11	7
13	10	5	3	21	10	6	12	6	4	—	12	8
14	11	6	4	—	11	7	13	7	5	—	13	8
15	12	6	4	—	12	8	15	8	5	—	14	9
16	13	7	5	—	13	8	15	8	5	—	15	9
17	14	7	5	—	14	9	17	8	5	—	16	10
18	15	8	5	—	15	9	18	9	6	—	18	11
19	16	8	5	—	16	10	20	9	6	—	19	11
20	18	9	6	—	17	11	—	10	6	—	21	12
21	18	9	6	—	18	11	—	11	7	—	—	13
22	20	9	6	—	19	12	—	11	7	—	—	14
23	—	10	6	—	21	13	—	12	8	—	—	15
24	—	11	7	—	—	13	—	13	8	—	—	15
25	—	11	7	—	—	14	—	13	8	—	—	16
26	—	12	8	—	—	15	—	13	9	—	—	17
27	—	12	8	—	—	15	—	14	9	—	—	18
28	—	13	8	—	—	16	—	15	9	—	—	18
∴	∴	∴	∴	∴	∴	∴	∴	∴	∴	∴	∴	∴
37	—	18	11	—	—	—	—	—	13	—	—	—
∴	∴	∴	∴	∴	∴	∴	∴	∴	∴	∴	∴	∴
41	—	—	13	—	—	—	—	—	15	—	—	—
∴	∴	∴	∴	∴	∴	∴	∴	∴	∴	∴	∴	∴
43	—	—	13	—	—	—	—	—	15	—	—	—
∴	∴	∴	∴	∴	∴	∴	∴	∴	∴	∴	∴	∴
49	—	—	16	—	—	—	—	—	18	—	—	—

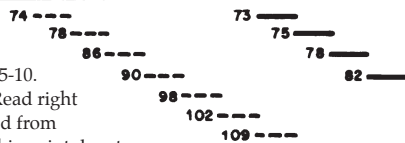
The procedure for using this table is the same as that described in the footnote to Table 5-12A.

Similar tables have been prepared for other pole sizes, from 25 to 55 ft.

Courtesy Long Island Lighting Co.

Table 5-13. Guying table: anchor holding power for 40-ft poles.

No. of units	Guy lead, ft																	
	3	4	5	6	7	8	9	10	11	12	13	14	15	16	17	18	19	20
10																		
11																		
12																		
13																		
14																		
15																		
16																		
17																		
18																		
19																		
20																		
21																		
22																		
23																		
24																		
25																		
26																		
27																		
28																		
29																		
30																		
31																		
32																		
33																		
34																		
35																		
36																		
37																		
38																		
39																		
40																		
41																		
42																		
43																		
44																		
45																		
46																		
47																		
48																		
49																		
50																		
51																		
52																		
53																		
54																		
55																		
56																		
57																		
58																		
59																		
60																		
61																		
62																		
63																		
64																		
65																		
66																		
67																		
68																		
69																		
70																		



Directions: (1) Read down the first column to the loading value in units computed from Tables 5-9 and 5-10. This value should include telephone conductors. (2) Read right to the column for guy wire lead length, in feet, selected from Table 5-12A or 5-12B. (3) The first curve to the left of this point denotes the minimum size of anchor to use. Anchor selection should be in accordance with other sections of the procedure.

Note: In cases where the loading value exceeds the strength of the desired anchor, an adjustment can be made by increasing the guy wire lead (see values above) or reducing the tension in the conductor. See text for calculation of slack sections.

Similar tables have been prepared for other pole sizes, from 25 to 55 ft. Courtesy Long Island Lighting Co.



where  $S$  is the sag in feet,  $w$  is the heavy loading value in pounds per foot from Table 5-14,  $L$  is the length of the span in feet, and  $T$  is the maximum tension desired in the conductor in pounds.

**Table 5-14. Conductor heavy loading values, lb/ft.**

<i>Number of conductors</i>	<i>Type</i>	<i>Size</i>	<i>Heavy loading</i>	
<b>Copper</b>				
1	Bare, solid	6	0.916	
		3	1.028	
	Bare, stranded	1/0	1.269	
		4/0	1.67	
	Insulated (HDPE)	3	1.355	
		1/0	1.60	
		4/0	2.05	
3	Insulated (XLPE)	6	1.38	
		2	1.945	
		1/0-2-2	2.15	
		4/0-2-2	2.32	
4	Insulated (XLPE)	6	1.545	
		2	2.185	
		1/0	2.81	
		4/0-1/0-1/0-1/0	2.935	
<b>Aluminum</b>				
1	Bare or stranded, alloy	1/0	1.129	
		3/0	1.267	
	Pure	336,400 cmil	1.490	
		HDPE-insulated, alloy	1/0	1.39
3	XLPE-Insulated, pure, with alloy	3/0	1.60	
		Pure	336,400 cmil	1.85
		neutral	310-1/0-1/0	1.979
		3/0	2.15	
4	XLPE-insulated, pure, with alloy	Pure	336,400 cmil-1/0-1/0	2.214
		neutral	310-1/0-1/0-1/0	2.030
		Pure	336,400 cmil-3/0-3/0-3/0	2.295
		neutral	3/0	2.42
		Pure	336,400 cmil-3/0-3/0-3/0	2.77

HDPE = high-density polyethylene insulation.

XLPE = cross-linked polyethylene insulation.

*Courtesy Long Island Lighting Co.*

**EXAMPLE 5-12**

Calculate the required sag for a 75-ft span of a three-phase four-wire section of no. 1/0 bare copper where the dead-end pole cannot be guyed. From previous calculations, it is necessary to limit the tension under loading conditions to 1000 lb per conductor.

$$w = 1.269 \text{ lb/ftL} = 75 \text{ ft}$$

$$S = \frac{1.269(75)^2}{8 \times 1000} = 0.9 \text{ ft or 11 in}$$

**Alternative Method**

Some guying situations cannot be resolved using the method described above. Appendix 5A contains basic guying theory and a detailed method of determining pole, guy, and anchor sizes in terms of ground-line moments, pounds of tension in the guy wire, etc.

*Examples*

As part of this procedure, examples are included illustrating problems in selecting poles, guys, and anchors for small-angle turns, for dead ends, and for right-angle turns in the line. These are contained in Appendix 5B.

**APPENDIX 5A****Practical Method of Calculating Pole and Guy Sizes****INTRODUCTION**

This appendix describes a method of determining pole and guy sizes, including a step-by-step solution of loading problems. It covers the general run of design problems, but in some instances, more detailed calculations may be required.

## POLE CLASS REQUIREMENTS

### Factors Involved

The total loading on a pole is the accumulation of all the individual stress, producing forces that act on the pole. In this method of solution, eight factors, *a* through *h*, will determine the class of pole required:

- a. Tension in wires or cables at dead ends: Table 5-17 (see the column for a 60° angle)
- b. Tension in wires or cables due to an angle in the line: Table 5-17
- c. Transverse loading per wire or cable: Table 5-15
- d. Transverse loading on poles: included in Table 5-19
- e. Transverse loading on equipment: Table 5-18
- f. Tension from unbalanced services: Table 5-16
- g. Longitudinal loading at a change in grade: Table 5-17 (see the 60° angle column)
- h. Factors of safety prescribed for poles: Table 5-19

### Classification of Poles

To simplify the analysis, poles have been classified as:

1. Straightaway poles (in a straight line)
2. Angle poles (at angles or offsets in the line)
3. Dead-end poles

The procedures, each designed for a particular classification of pole, start on page 184.

#### *Straightaway Poles*

Step 1. Determine the grade of construction applying, B or C.

Step 2. From Table 5-19, determine the factor of safety required for transverse loading, and calculate the total load on the pole.

- a. For grade B construction, the factor of safety is 4 and the total load is  $4(c + d + e + f)$ .
- b. For grade C construction, the factor of safety is 2 and the total load is  $2(c + d + e + f)$ .
- c. For grade C construction at crossings, the factor of safety is 2.66 and the total load is  $2.66(c + d + e + f)$ .

Step 3. Calculate the total ground-line moment on the pole by multiplying the total load (step 2) by the average height of the conductors or equipment.

**Table 5-15. Transverse loading per conductor.**

<i>Type</i>	<i>Size</i>	<i>Loading, lb/ft</i>	
<b>Primary wire</b>			
PVC or HDPE: Cu	3	0.524	
	1/0	0.558	
	4/0	0.609	
	Al	1/0	0.566
		3/0	0.601
	336,400 cmil	0.655	
<b>Secondary mains</b>			
XLPE: Cu, 3c	6	0.519	
	2	0.601	
	1/0-2-2	0.636	
	4/0-2-2	0.679	
Cu, 4c	6	0.556	
	2	0.622	
	1/0	0.657	
	4/0-1/0-1/0-1/0	0.707	
Al, 3c	4	0.572	
	1/0	0.676	
	3/0-1/0-1/0	0.725	
	3/0	0.743	
	336,400 cmil-1/0-1/0	0.749	
Al, 4c	1/0	0.708	
	3/0-1/0-1/0-1/0	0.741	
	3/0	0.782	
	336,400 cmil-3/0-3/0-3/0	0.846	
<b>Copperweld or Alumoweld</b>			
	Three no. 8 to $\frac{7}{8}$ in	0.48 (max.)	
<b>Telephone and guy wire</b>			
	6M	1.20	
	10M	1.50	
	16M	1.80	
	25M	2.10	
Twin		0.50	

Courtesy Long Island Lighting Co.

Table 5-16. Tension resulting from unbalanced services.

<i>Type</i>	<i>Number of conductors</i>	<i>Size, AWG</i>	<i>Tension, lb</i>
Copper: open wire	1	8	75
	1	6	75
	1	3	100
	1	1/0	150
	1	4/0	300
Copper: concentric (cable)	2	8	100
	3	8	150
	3	6	180
	3	4	225
	3	2	300
Copper: twisted (cable)	3	6	450
	4	6	450
	3	2	450
	4	2	450
	4	1/0	450
Aluminum: twisted (cable)	3	4	450
	3	1/0	450
	4	1/0	450
	4	3/0	450
Telephone drop	2	—	75

- Step 4. From Table 5-19, select the pole class having a ground-line resisting moment at least equal to that calculated in step 3.
- Step 5. If the pole is to support equipment, from Table 5-18 determine the pole class required by the weight of the equipment. If it exceeds that selected in step 4, the larger class should be specified.
- Step 6. If the transverse loading is too great for the unsupported pole, proceed to the section Guying Requirements in this appendix.

### *Angle Poles*

- Step 1. Determine the grade of construction applying.
- Step 2. From Table 5-19 determine the factor of safety required for the type of loading and calculate the total load on the pole.
- For grade B construction, the factors of safety are 4 and 2 and the total load is  $4(c + d + e + j) + 2b$ .
  - For grade C construction, the factors of safety are 2 and 1.33 and the total load is  $2(c + d + e + j) + 1.33b$ .

Table 5-17. Tension in conductors—angles and dead ends—lb

Type	Size	5°	10°	15°	20°	25°	30°	35°	40°	45°	50°	55°	60°*	
<b>All primary**</b>														
—	—	175	348	522	694	866	1036	1203	1367	1531	1640	1846	2000	
<b>Bare</b>														
Cu	3	93	187	279	372	463	554	643	732	821	904	988	1070	
	1/0	135	270	405	538	677	802	958	1060	1186	1310	1431	1550	
	4/0	141	288	430	573	714	854	993	1129	1262	1394	1524	1650	
Al	1/0	104	208	313	418	521	622	721	821	918	1015	1109	1200	
	3/0	126	253	379	501	628	751	872	992	1110	1226	1339	1450	
	336,400 cmil	175	348	522	694	866	1036	1203	1367	1531	1640	1846	2000	
<b>PVC and HDPE</b>														
Cu	3	107	214	321	428	533	637	739	842	921	1041	1137	1230	
	1/0	175	348	522	694	866	1036	1203	1367	1530	1690	1846	2000	
	4/0	310	570	720	1086	1376	1684	1942	2209	—	—	—	—	
Al	1/0	131	262	392	521	651	779	904	1030	1151	1270	1390	1500	
	3/0	157	314	470	625	779	932	1083	1231	1390	1521	1662	1800	
	336,400 cmil	175	348	522	694	866	1036	1203	1367	1530	1690	1846	2000	
<b>XLPE</b>														
Cu	6	56	111	167	222	277	333	385	439	490	541	591	640	
	3	131	262	392	521	651	779	904	1030	1151	1270	1390	1500	
	1/0	187	373	569	743	928	1111	1289	1469	1589	1798	1931	2000	
	1/0-2-2	}	175	348	522	694	866	1036	1203	1367	1530	1690	1846	2000
	4/0-2-2													
4/0-1/0-1/0-1/0														
Al	1/0	}	175	348	522	694	866	1036	1203	1367	1530	1690	1846	2000
	3/0													
	1/0-1/0-1/0-													
	3/0-1/0-1/0-1/0													
	336,400 cmil-1/0-1/0													
336,400 cmil-1/0-1/0-1/0														

Table 5-17. Tension in conductors—angles and dead ends—lb (*Continued*)

Type	Size	5°	10°	15°	20°	25°	30°	35°	40°	45°	50°	55°	60°*
<b>Guy wire</b>													
—	6M	319	628	940	1250	1559	1863	2165	2412	2755	3043	3324	3600
—	10M	524	1046	1541	2083	2548	3100	3609	4104	4585	5071	5540	6000
—	16M	837	1674	2507	3333	4156	4969	5774	6567	7346	8014	8865	9600
<b>Angle (pull feet)***</b>													
		4.35	8.7	13.1	17.4	21.7	25.9	30.0	34.2	37.3	42.3	46.2	50.0

\*Use these values for dead ends.

\*\*Spans longer than 200 ft.

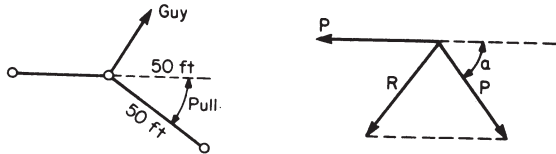
\*\*\*Determination of line angle in pull-feet (see diagram). Interpolate for other angles.

Table based on:

$P = \frac{1}{2}$  ultimate strength of conductor, or 2000 lb, whichever is less

$R =$  Resultant tension due to angle

$$R = 2P \sin \frac{a}{2}$$



Adapted from Long Island Lighting Co. design standards.

Table 5-18. Equipment data and maximum allowable equipment weights on poles.

<i>Equipment</i>		<i>Weight lb</i>		<i>Allowable weight for transverse loading, lb</i>	
<i>Type</i>	<i>Size</i>	<i>Maximum</i>	<i>Minimum</i>	<i>Maximum</i>	<i>Minimum</i>
Distribution transformers, 1 $\phi$	10 kVA	403	210	25	10
	15	649	265	30	15
	25	959	363	50	25
	37½	1139	540	55	35
	50	1305	640	65	40
	75	1869	825	95	50
	100	2240	1015	110	55
	167	2640	1430	130	70
	250	2200	1600	110	90
	333	2450	2100	110	105
500	3100	2500	—	—	
Regulators: induction, step	24 kVA	1215	—	65	—
	12	965	1000	50	55
	25	1200		65	
	76.2	1700		90	
Reclosers	50–200 A	170	—	10	—
	560	755	—	30	15
Oil switch, 15-kV	200 A	60	—	5	—
	400	456	—	20	10
Capacitors, unit-type	25 kVAR	100	—	—	—
	50	90	65	5	—
	100	135	100	5	—
	150	110	80	5	—
Capacitors, switched	300 kVAR	1320	1090	65	60
	600	1290	875	65	50
Interrupter switch, 15-kV	600 A	450	150	55	—
Air-break switch, 34.5-kV	400 A	600	—	100	—
Street lighting transformer, types RO, ROC	10 kW	965	—	45	—
	15	1045	—	60	—
	20	1300	—	90	—

**Maximum permissible weight of equipment on poles**

<i>Pole class</i>	<i>Weight, lb</i>
5	900
4	1800
3	2500
2	3200
1	4000
0	5050
00	6750

*Notes.* (1) Pole classes specified are minimum to be used on new installations. Where poles already exist in the field, use of poles one class lighter than specified above is permitted. (2) Use 3 times the transverse loading for three transformers or other groups of equipment. (3) Allowance for transverse loading on equipment is equal to 4 lb/ft<sup>2</sup> on the projected area angles to the line.

Courtesy Long Island Lighting Co.



**Table 5-19. Ground-line resisting moments for creosoted southern pine poles. In thousands of foot-pounds. Number above each column represents factor of safety.**

<i>Pole</i>		<i>Grade C construction loading</i>									
<i>Height, ft</i>	<i>Class</i>	<i>Ultimate strength 1.0</i>	<i>Longitudinal</i>		<i>Dead-end</i>		<i>Vertical and transverse</i>				
			<i>A</i>	<i>B</i>	<i>A</i>	<i>B</i>	<i>Crossing</i>		<i>Other</i>		
							<i>—</i>	<i>—</i>	<i>1.33</i>	<i>1.0</i>	<i>A</i>
								<i>2.66</i>	<i>1.33</i>	<i>2.0</i>	<i>1.33</i>
30	00	154.2	No data			115.9	154.2	58.0	115.9	61.7	115.9
	0	124.0	required where			93.2	124.0	46.6	93.2	49.6	93.2
	1	103.7	grade C			78.0	103.7	39.0	78.0	41.5	78.0
	2	84.3	construction is			63.4	84.3	31.7	63.4	35.2	63.4
	3	67.5	used and no			50.9	67.5	25.4	50.6	27.0	50.8
	4	53.0	change in grade			39.8	53.0	19.9	39.8	21.2	39.8
	5	43.1	of construction			32.4	43.1	16.2	32.4	17.2	32.4
	6	34.4	exists.			25.9	34.4	12.9	25.9	13.8	25.9
35	00	176.5				132.7	176.5	66.4	132.7	70.6	132.7
	0	146.5				111.6	148.5	55.8	111.6	59.4	111.6
	1	123.6				93.0	123.6	46.5	93.0	49.4	93.0
	2	101.7				76.5	101.7	36.2	76.5	40.7	76.5
	3	82.5				62.0	82.5	31.0	62.0	33.0	62.0
	4	62.9				47.3	62.9	23.6	47.3	25.2	47.3
	5	51.7				38.9	61.7	19.4	38.9	20.7	38.9
	6	39.7				29.8	39.7	14.9	29.8	15.9	29.8
40	00	200.6				150.6	200.6	75.4	150.6	80.2	150.6
	0	170.1				127.9	170.1	63.9	127.9	66.0	127.9
	1	142.7				107.3	142.7	83.6	107.3	57.1	107.3
	2	110.6				89.2	110.6	44.6	89.2	47.4	89.2
	3	97.3				73.2	97.3	36.6	73.2	36.6	73.2
	4	75.1				56.5	75.1	26.2	56.5	30.0	56.5
	5	59.5				44.7	59.5	22.4	44.7	23.8	44.7
45	00	241.4				181.5	241.4	90.8	181.5	96.6	181.5
	0	200.1				150.5	200.1	75.2	150.5	80.0	150.5
	1	161.6				121.5	161.6	60.6	121.5	64.6	121.5
	2	135.2				101.7	135.2	50.6	101.7	54.1	101.7
	3	107.5				80.8	107.5	40.4	80.8	43.0	80.8
	4	87.6				65.9	87.6	32.9	65.9	35.0	65.9
	5	71.9				53.8	71.9	25.4	53.8	27.6	53.8
50	1	181.9				136.8	181.9	68.4	136.8	72.6	136.8
	2	148.0				111.3	148.0	55.6	111.3	59.2	111.3
	3	118.5				89.1	118.5	44.5	89.1	47.4	89.1
	4	97.2				73.1	97.2	36.5	73.1	39.9	73.1
55	1	197.5				148.5	197.5	74.2	148.5	79.0	148.5
	2	161.5				121.4	161.5	60.7	121.4	64.6	121.4
	3	130.2				97.9	130.2	48.9	97.9	52.1	97.9
	4	108.2				81.4	108.2	40.7	81.4	43.3	81.4

A = when installed; B = at replacement.

\*These values include an additional factor of safety to allow for pole deflections and soil conditions peculiar to a territory.

Courtesy Long Island Lighting Co.

<b>Grade B construction loading</b>					
<b>Longitudinal</b>		<b>Dead-end</b>		<b>Vertical and transverse</b>	
<b>A</b>	<b>B</b>	<b>A</b>	<b>B</b>	<b>A</b>	<b>B</b>
<b>1.33</b>	<b>1.0</b>	<b>2.0</b>	<b>1.33</b>	<b>4.0</b>	<b>2.66</b>
115.9	154.2	77.1	115.9	38.6	59.0
93.2	124.0	62.0	93.2	31.0	46.6
78.0	103.7	51.9	78.0	25.9	39.0
63.4	84.3	42.2	63.4	21.1	31.7
50.8	67.5	33.8	50.8	16.9	25.4
39.6	53.0	26.5	39.6	13.3	19.9
32.4	43.1	21.6	32.4	10.8	16.2
25.9	34.4	17.2	25.9	8.6	12.9
132.7	176.5	88.3	132.7	44.1	66.4
111.6	149.5	74.3	111.6	37.1	55.6
93.0	123.6	61.8	93.0	30.9	46.5
76.5	101.7	50.9	76.5	25.4	36.2
62.0	82.5	41.3	62.0	20.6	31.0
47.3	62.9	31.5	47.3	15.7	23.6
36.9	51.7	25.9	36.9	12.9	19.4
29.8	39.7	19.9	29.8	9.9	14.9
150.8	200.6	100.3	150.8	50.2	75.4
127.9	170.1	85.1	127.9	42.5	63.9
107.3	142.7	71.4	107.3	36.7	53.6
89.2	116.6	59.3	89.2	29.7	44.6
73.2	97.3	48.7	73.2	24.3	36.6
56.5	75.1	37.6	56.5	18.6	26.2
44.7	59.5	29.6	44.7	14.9	22.4
181.5	241.4	120.7	181.5	60.4	90.8
150.5	200.1	100.1	150.5	50.0	76.2
121.5	161.6	60.8	121.5	40.4	60.8
101.7	135.2	67.6	101.7	33.8	50.8
80.8	107.5	53.6	80.8	26.9	40.4
65.9	87.6	43.8	65.9	21.9	32.9
136.8	181.9	91.0	136.8	45.5	68.4
111.3	148.0	74.0	111.3	37.0	55.6
89.1	118.5	59.3	89.1	29.6	44.5
73.1	97.2	48.6	73.1	24.3	36.5
148.5	197.5	98.6	148.5	49.4	74.2
121.4	161.5	80.8	121.4	40.4	60.7
97.9	130.2	65.1	97.9	32.6	48.9
81.4	108.2	54.1	81.4	27.1	40.7

- c. For grade C construction at crossings, the factors of safety are 2.66 and 1.33 and the total load is  $2.66(c + d + e + j) + 1.33b$ .
- Step 3. Calculate the total ground-line moment on the pole by multiplying the total load (step 2) by the average height of the conductors.
- Step 4. From Table 5-19 select the pole class having a ground-line resisting moment at least equal to that calculated in step 3.
- Step 5. If the pole is to support equipment, from Table 5-18 determine the pole class required by the weight of the equipment. If it exceeds that calculated in step 4, the larger class should be specified.
- Step 6. If the calculation in step 4 results in a class 5 pole, guying or cribbing will generally not be required unless soil conditions are poor. If the result is other than class 5, proceed to the section Guying Requirements.

#### *Dead-end Poles*

- Step 1. Determine grade of construction applying, B or C.
- Step 2. From Table 5-19 determine the factors of safety required for dead-end loading, and calculate the total load on the pole.
  - a. For grade B construction, the factor of safety is 2 and the total load is 2a.
  - b. For grade C construction, the factor of safety is 1.33 and the total load is 1.33a.
- Step 3. Calculate the total ground-line moment on the pole by multiplying the total load (step 2) by the average height of the conductors.
- Step 4. From Table 5-19 select the pole class having a ground-line resisting moment at least equal to that calculated in step 3.
- Step 5. If the pole is to support equipment, from Table 5-18 determine the pole class required by the weight of the equipment. If it exceeds that calculated in step 4, the larger class should be specified.
- Step 6. If the calculation in step 4 results in a class 5 pole, guying or cribbing will not generally be required unless soil conditions are poor. If the result is other than class 5, proceed to the section Guying Requirements.

## GUYING REQUIREMENTS

### General

Smaller poles may be specified on the assumption they will be used with guying; this is possible because the pole acts as a strut only, the horizontal load being supported by the guy wire. Poles supporting equipment, or placed at a turn angle greater than  $10^\circ$ , however, should not be smaller than class 4.

The steps enumerated above under Pole Class Requirements should cover all extreme cases of transverse or longitudinal loading. If the loading is too great for the unsupported pole, the following additional steps for each classification of pole, designed to determine guying requirements, should be considered.

### *Straightaway Poles*

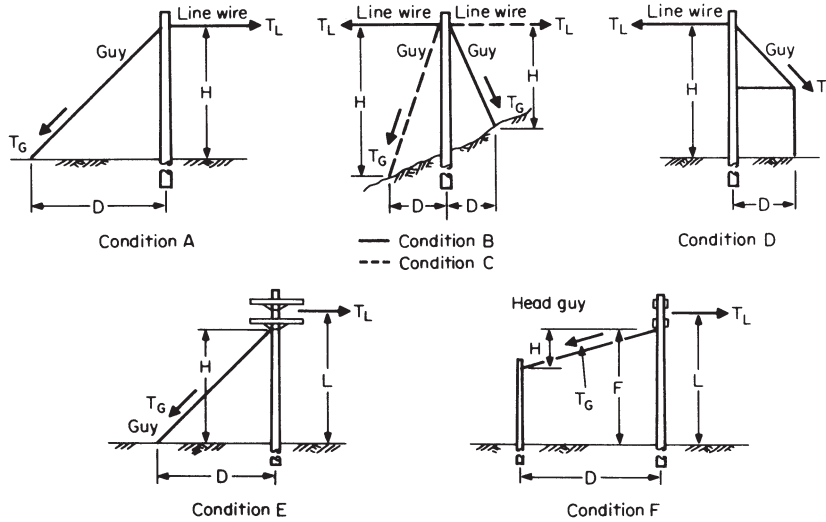
- Step 7. From Table 5-19 determine the factor of safety required for transverse loading, and calculate the total load on the pole.
- For grade B construction, the factor of safety is 2.66 and the total load is  $2.66c$ .
  - For grade C construction, the factor of safety is 2 and the total load is  $2c$ .
- Step 8. From Table 5-20, calculate the guy tension.
- Step 9. From Table 5-21, select the proper guy wire for the guy tension (step 8).

### *Angle Pole*

- Step 7. If the pole class calculations result in a pole within the range from class 4 to class 2, the pole should be cribbed.
- Step 8. If the result is a pole larger than class 2, a smaller pole and guying should be specified; a class 5 pole may be specified.
- Step 9. From Table 5-19, select the factors of safety and calculate the total load on the pole.
- For grade B construction, the total load is  $(1.78c + b) 1.50$ .
  - For grade C construction, the total load is  $(1.78c + b)1.14$ .
- Step 10. From Table 5-20 calculate the guy tension.
- Step 11. From Table 5-21 select the proper guy wire for the guy tension (step 10).

Table 5-20. Multipliers for determining tension in guy wire when tension in line wire is known. Applicable to conditions A to D inclusive; see illustrations below.

<i>H</i> , <i>ft</i>	<i>D</i> , <i>ft</i>												
	5	6	7	8	10	12	14	16	18	20	25	30	35
15	3.16	2.69	2.36	2.12	1.80	1.60	1.46	1.37	1.30	1.25	1.16	1.12	1.09
16	3.35	2.85	2.47	2.24	1.89	1.67	1.52	1.41	1.34	1.28	1.19	1.13	1.10
17	3.54	3.00	2.63	2.35	1.97	1.73	1.57	1.46	1.37	1.31	1.21	1.15	1.11
18	3.73	3.16	2.76	2.46	2.06	1.79	1.63	1.50	1.41	1.35	1.23	1.17	1.12
19	3.93	3.32	2.89	2.58	2.15	1.87	1.68	1.55	1.49	1.38	1.26	1.19	1.14
20	4.12	3.48	3.03	2.69	2.24	1.94	1.74	1.60	1.49	1.41	1.28	1.20	1.15
21	4.32	3.64	3.17	2.81	2.33	2.01	1.80	1.65	1.54	1.45	1.31	1.22	1.17
22	4.51	3.80	3.30	2.93	2.42	2.09	1.86	1.70	1.58	1.49	1.33	1.24	1.18
23	4.71	3.96	3.44	3.04	2.51	2.16	1.92	1.75	1.62	1.52	1.36	1.26	1.20
24	4.90	4.12	3.57	3.16	2.60	2.24	1.98	1.80	1.67	1.56	1.39	1.28	1.21
25	5.10	4.28	3.71	3.28	2.69	2.31	2.04	1.85	1.71	1.60	1.41	1.30	1.23
26	5.29	4.45	3.84	3.40	2.79	2.39	2.11	1.91	1.76	1.64	1.44	1.32	1.25
27	5.51	4.62	3.99	3.52	2.88	2.46	2.17	1.96	1.80	1.68	1.47	1.34	1.26
28	5.69	4.78	4.13	3.64	2.97	2.54	2.24	2.01	1.85	1.72	1.50	1.37	1.28
29	5.89	4.94	4.27	3.76	3.07	2.61	2.30	2.06	1.90	1.76	1.53	1.39	1.30
30	6.08	5.09	4.41	3.88	3.16	2.68	2.36	2.12	1.95	1.80	1.54	1.41	1.32
31	6.28	5.26	4.54	4.04	3.26	2.77	2.42	2.18	1.99	1.84	1.59	1.44	1.33
32	6.48	5.42	4.68	4.13	3.36	2.85	2.49	2.24	2.04	1.89	1.62	1.46	1.35
33	6.68	5.59	4.82	4.24	3.45	2.93	2.56	2.29	2.09	1.93	1.65	1.48	1.37
34	6.88	5.75	4.96	4.36	3.54	3.01	2.62	2.34	2.14	1.97	1.69	1.51	1.39
35	7.08	5.92	5.10	4.48	3.64	3.09	2.69	2.40	2.19	2.02	1.72	1.53	1.41
36	7.27	6.08	5.24	4.60	3.74	3.16	2.76	2.46	2.24	2.08	1.75	1.56	1.44
37	7.63	6.28	5.38	4.73	3.83	3.24	2.83	2.52	2.26	2.10	1.79	1.59	1.46
38	7.66	6.40	5.52	4.86	3.93	3.32	2.89	2.58	2.34	2.15	1.82	1.61	1.48
39	7.87	6.59	5.66	4.98	4.03	3.40	2.96	2.64	2.39	2.19	1.85	1.64	1.50
40	8.07	6.74	5.91	5.10	4.12	3.49	3.28	2.69	2.44	2.24	1.89	1.67	1.52



Example:  $H =$  height of guy on pole = 25 ft  
 $D =$  distance of guy from centerline of pole = 16 ft  
 $T_L =$  tension in line wire = 2000 lb  
 $T_S =$  tension in guy wire =  $T_L \times$  multiplier (from table)  
 $= 2000 \times 1.85 = 3700$  lb

For condition E,  
 $T_G =$  guy tension  
 $T_L =$  resultant line tension  
 $T_G = \frac{LT_L D^2 + H^2}{DH}$

For condition F,  
 $T_G =$  guy tension  
 $T_L =$  resultant line tension  
 $T_G = \frac{LT_L D^2 + H^2}{FD}$

Courtesy Long Island Lighting Co.

Table 5-21. Allowable guy tensions.

<i>Guy wire</i>				<i>Loading, lb</i>			
<i>Material</i>	<i>Reference</i>	<i>Strand</i>	<i>Ultimate strength, lb</i>	<i>Dead-end and angle</i>		<i>Transverse</i>	
				<i>Grade C, SF = 1.14</i>	<i>Grade B, SF = 1.50</i>	<i>Grade C, SF = 2.00</i>	<i>Grade B, SF = 2.66</i>
Copperweld	6M	3 #8	6,280	5,500	4,100	3141	2360
	11M	11/32"	11,280	9,860	7,520	5640	4240
	17M	7/16"	16,890	14,780	11,260	8445	6340
Alumoweld	6M	3 #8	7,210	6,330	4,810	3605	2710
	11M	11/32"	12,960	11,370	8,640	6480	4870
	17M	7/16"	19,060	16,720	12,700	9530	7160

**Dead-end loadings or 60° angles: primary**

<i>Copper</i>	<i>Loading, lb</i>	<i>Aluminum</i>	<i>Loading, lb</i>
No. 6 bare	640	No. 1/0 bare	1200
No. 3 bare	1070	No. 1/0 HDPE or PVC	1500
No. 3 PVC	1230	No. 3/0 bare	1450
No. 1/0 bare	1550	No. 3/0 HDPE or PVC	1800
No. 1/0 HDPE or PVC	2000	336,400 cmil bare	2000
No. 4/0 bare	1650	336,400 cmil HDPE or PVC	2000
No. 4/0 HDPE or PVC	2000		

**Secondary**

3 c or 4c no. 6	640	All triplex or quadruplex secondaries are 2000 lb
3c or 4c no. 2	1500	
Over 4c no. 2	2000	

For open wire secondary, use primary tensions.

*Note:* All 1/0, 3/0 and 336,400-cmil Al or 1/0 and 4/0 Cu, where the span exceeds 200 ft, are to be considered at 2000 lb of tension.

All triplex or quadruplex unbalanced services to be considered at 250 lb of tension.

Courtesy Long Island Lighting Co.

- Step 12. If the pole class calculations result in a pole larger than class 2 and the pole cannot be guyed, specify a class 0 or class 00 pole and determine if it has sufficient strength to handle the ground-line resisting moment, with cribbing specified if necessary.
- Step 13. If even a class 00 double-cribbed pole is inadequate for the ground-line resisting moment and the pole cannot be guyed, a lighter pole and cribbing should be specified, with guying of the adjacent pole or poles and sagging of the line sufficiently to relieve the strain.

*Dead-End Pole*

- Step 7. If the pole class calculations result in a pole within the range from class 4 to class 2, the pole should be cribbed.
- Step 8. If the result is a pole larger than class 2, a smaller pole and guying should be specified. A class 5 pole will be adequate where either primary or secondary conductors terminate; where both terminate, a class 4 pole should be specified.
- Step 9. From Table 5-19 select the factors of safety and calculate the total load on the pole.
- For grade B construction, the total load is 1.50a.
  - For grade C construction, the total load is 1.14a.
- Step 10. From Table 5-20 calculate the guy tension.
- Step 11. From Table 5-21 select the proper guy wire for the guy tension (step 10).
- Step 12. If the calculations above result in a pole larger than class 2 and the pole cannot be guyed, specify a class 0 or class 00 pole and determine if it has sufficient strength to handle the ground-line resisting moment, with cribbing specified if necessary.
- Step 13. If even a class 00 double-cribbed pole is inadequate for the ground-line resisting moment and the pole cannot be guyed, a lighter pole and cribbing should be specified, with guying of the adjacent pole or poles and sagging of the line sufficiently to relieve the strain.

---

**EXAMPLE 5-13. Straightaway pole, grade C construction, transverse loading, safety factor of 2.**

Assume a 40-ft pole line, 100-ft spans, a three-phase no. 3/0 aluminum-HDPE primary at 33 ft; a four-conductor no. 3/0 aluminum-XLPE secondary at 25 ft; three 15-kVA transformers at 30 ft; and a 10,000-lb telephone cable at 20 ft.

*Solution*

Use the values in Tables 5-15 and 5-18. (Weight of cross arms, insulators, etc., is ignored, but is taken into account with factors of safety, rounded values, and other considerations.)

The transverse loading on wires and cable is taken from Table 5-15. For the no. 3/0 aluminum-HDPE,  $0.601 \times 100 \times 3 = 180$  lb. For the four-conductor no. 3/0 secondary,  $0.782 \times 100 \times 1 = 78$  lb. The loading of one 10M telephone cable is  $1.50 \times 100 \times 1 = 150$  lb.



For the moment at the ground line:

Primary	$180 \times 33 =$	5,940 ft•lb
Secondary	$78 \times 25 =$	1,950
Telephone	$150 \times 20 =$	3,000
Total		10,890 ft•lb

From Table 5-18, for the maximum transverse loading of three 15-kVA transformers,  $30 \times 3 \times 30 = 2700$  ft•lb. Thus the total moment is 10,890 + 2700 = 13,590 ft•lb.

From Table 5-19, the ground-line resisting moment for a 40-ft class 5 pole is 23,800 ft•lb. Therefore a 40-ft class 5 pole is adequate for transverse loading. Since it is, check for vertical loading from Table 5-18.

$$649 \text{ lb} \times 3 = 1947 \text{ lb}$$

Since the class 5 limit is 900 lb, a class 3 or class 2 pole must be used.

### EXAMPLE 5-14. Dead-end pole, grade C construction, safety factor 1.33.

Assume a 40-ft pole line; a three phase no. 3/0 aluminum-HDPE primary at 33 ft; a four-conductor no. 3/0 aluminum-XLPE secondary at 30 ft; one 10M telephone cable at 20 ft; and a 14-ft lead available. The soil is class 5.

#### *Solution*

First check that a normal pole class cannot hold the conductors. Table 5-21 gives the dead-end loadings. For the primary,

$$3 \times 1800 \text{ lb} \times 33 \text{ ft} = 178,000 \text{ ft•lb}$$

For the secondary,

$$1 \times 2000 \text{ lb} \times 30 \text{ ft} = 60,000 \text{ ft•lb}$$

This gives a total loading of 238,000, multiplied by a safety factor of 1.33. This exceeds any pole class from Table 5-19. Guying will have to be used, as follows.

From Table 5-21, the tension at the guying points is found. For the three-phase primary,

$$3 \times 1800 \text{ lb} = 5400 \text{ lb}$$

For the three-phase secondary,

$$1 \times 2000 \text{ lb} = 2000 \text{ lb}$$

The total tension is 7400 lb.

From Table 5-20, for a 14-ft lead and a 32-ft height and a factor of safety of 1.14, the multiplier is 2.49, so guy tension is  $1.14 \times 2.49 \times 7400 = 18,400 \times 1.14$ . Since the tension is 18,400 lb, use two 11M guy wires attached to the same anchor plate. From Table 5-5B, for class 5 soil, use a 10-in expanding anchor plate. If a telephone cable is attached, use a 12-in expanding anchor plate.

Set the next line pole and install a head guy at a 10-ft height on it. The tension at 10 ft will be 7400 lb; the total moment will be  $7400 \times 10 = 74,000 \text{ ft}\cdot\text{lb}$ . From Table 5-19, with a safety factor of 1.33, a class 2 pole will be required.

**EXAMPLE 5-15. 20° angle pole, safety factor of 1.33 for angle loading and 2.00 for transverse loading.**

Assume a 35-ft pole with 100-ft spans; a two-phase no. 1/0 aluminum-HDPE primary at 28 ft; a one-phase three-conductor no. 1/0 aluminum-XLPE secondary at 25 ft; and a 6M telephone cable at 20 ft.

*Solution*

The problem requires combining transverse and angle loadings. For transverse loadings, the values are given by Table 5-15. For the no. 1/0 aluminum-HDPE,

$$100 \text{ ft} = 0.566 \text{ lb/ft} \times 2 \times 28 \text{ ft} = 3170 \text{ ft}\cdot\text{lb}$$

For the three-conductor no. 1/0 aluminum-XLPE,

$$100 \text{ ft} \times 0.676 \text{ lb/ft} \times 25 \text{ ft} = 1690 \text{ ft}\cdot\text{lb}$$

For the 6M telephone cable,

$$100 \text{ ft} \times 1.2 \text{ lb/ft} \times 20 \text{ ft} = 2400 \text{ ft}\cdot\text{lb}$$

The total is 7260 ft•lb; the factor of safety of 2 gives 14,520 ft•lb.

For angle loading (Table 5-17), for the no. 1/0 aluminum-HDPE,

$$2 \times 521 \text{ lb} \times 28 \text{ ft} = 29,176 \text{ ft}\cdot\text{lb}$$

For the three-conductor no. 1/0 aluminum-XLPE,

$$1 \times 694 \text{ lb} \times 25 \text{ ft} = 17,350 \text{ ft}\cdot\text{lb}$$

For the 6M telephone cable,

$$1 \times 1250 \text{ lb} \times 20 \text{ ft} = 25,000 \text{ ft}\cdot\text{lb}$$

The total angle loading is 71,526 ft•lb; when multiplied by the factor of safety 1.33, it is 95,130 ft•lb; this plus the transverse loading of 14,520 ft•lb gives a total loading of 109,650 ft•lb.

From Table 5-19, under the ultimate strength of a 35-ft pole (since the safety factors have already been multiplied into the loadings), a load of 109,650 ft•lb requires a class 0 pole. If guying is possible, then use a class 5 pole and calculate the guy wire size for an 8-ft lead attached at 26 ft.

From Table 5-15, the transverse load at a factor of safety of 2.00 is found as follows. For the no. 1/0 aluminum-HDPE,

$$2 \times 100 \text{ ft} \times 0.5661 \text{ lb/ft} = 113 \text{ lb}$$

For the three-conductor no. 1/0 aluminum-XLPE,

$$100 \text{ ft} \times 0.676 \text{ lb/ft} = 68 \text{ lb}$$

(The transverse loading of the 6M telephone cable need not be considered here; it is standard practice for each pole user to provide the guying only for its own facilities.) The load is thus 181 lb; multiplying by the safety factor of 2.00 gives 362 lb.

The angle load is determined from Table 5-17:

No. 110 aluminum-HDPE	$2 \times 521 \text{ lb} =$	1042 lb
Three conductor no. 1/0		
aluminum-XLPE	$1 \times 694 \text{ lb} =$	<u>694 lb</u>
		1736 lb

(Again, the loading of the telephone cable is ignored.)

The sum of the two loadings is  $1736 + 362 = 2098 \text{ lb}$ . From Table 5-20, the multiplier for an 8-ft lead at 26 ft is 3.40. Since the guy wire safety factor is 1.14,

$$3.40 \times 2098 \text{ lb} \times 1.14 = 7133 \text{ lb} \times 1.14$$

From Table 5-21, an 11M guy is required.

---

## APPENDIX 5B

### Examples

#### EXAMPLE 5-16

A 40-ft pole supporting a no. 1/0 aluminum-HDPE primary conductor and three-conductor no. 1/0 aluminum triplex secondary is situated where the pole line makes a 30° turn; all poles are 100 ft apart. Select the proper class of pole for this installation.

*Solution*

From Table 5-9, conductor loading values for a 40-ft pole, loading at 30°,

No 1/0 aluminum-HDPE conductor	5.2 units
Three-conductor no. 1/0 triplex aluminum	<u>6.3</u>
Total	11.5 units

From Table 5-10, transverse loading values for a 40-ft pole, for poles 100 ft apart (average span length in feet),

No. 1/0 aluminum-HDPE conductor	0.4 units
Three-conductor no. 1/0 triplex aluminum	<u>0.4</u>
Total	0.8 units

Total loading force = 11.5 + 0.8 = 12.3 units.

From Table 5-11, ground-line resisting moments, for a 40-ft pole, assuming grade C construction, the smallest pole capable of supporting 12.1 units is a class 2 pole, which should be specified.

#### EXAMPLE 5-17

A 40-ft dead-end pole must support three no. 4/0 copper-HDPE primary conductors, a three-conductor no. 2 copper triplex cable, and a 10M telephone messenger cable; the poles are spaced 100 ft apart. Select the proper class of pole and guy, if necessary, for this installation.

*Solution*

From Table 5-9, conductor loading values for a 40-ft pole for dead-end loading (see the 60° column),

No. 4/0 copper-HDPE conductor	$13.3 \times 3 = 39.9$	units
Three-conductor no. 2 copper triplex	<u>9.2</u>	
Subtotal	49.1	units
10M telephone cable	<u>32.8</u>	
Total	81.99	units

From Table 5-10, of transverse loading values for a 40-ft pole, for a 100-ft average span length,

No. 4/0 copper-HDPE conductor	$3 \times 0.4 = 1.2$	units
Three-conductor no. 2 copper triplex	<u>0.4</u>	
Subtotal	1.6	units
10M telephone cable	<u>0.7</u>	
Total	2.3	units

Since the transverse loading is very small in comparison to the conductor loading and acts in a direction perpendicular to the larger force, it is insignificant and can be neglected.

From Table 5-11, of ground-line resisting moments, for a 40-ft pole, assuming grade C construction, the heaviest class of pole, 00, cannot support 81.9 units. A smaller pole, class 4, should be specified, with guying. The guy wire selected supports only power conductors, which (as computed earlier in this example) apply a load of 49.1 units to the pole. From Table 5-12B, of guy wires and leads for a 40-ft pole and grade C construction, for 49.1 units, in the column Copperweld: Dead-End and Angle Loading, note that neither the 6M nor the 11M wire can handle the load, and the 17M wire requires a 13-ft lead.

If a shorter lead is desired, move up the 17M column to a shorter lead length, say, 11 ft. Moving left to the first column, note that a 17M wire with an 11-ft lead can support only 43 units of loading. Another guy wire is needed. Moving over to the 6M column, note that with an 11-ft lead, this wire can handle 16 units of loading. The two wires, 17M (43 units) + 6M (16 units), can handle 59 units. Both a 17M and a 6M Copperweld wire should be specified. The anchor, however, must support both power and telephone guy wires.

From Table 5-13, of anchor holding power for 40-ft poles, the total loading on the pole is 81.9 units and the lead length is 11 ft; move down the 11-ft lead column to 81.9 loading units; the anchor capable of meeting these conditions is the 300-in<sup>2</sup> expandable anchor, and this should be specified. Summing, a class 4 pole with two Copperweld guy wires, 6M and 17M, with a lead length of 11 ft and a 300-in<sup>2</sup> expandable anchor should be specified.

**EXAMPLE 5-18**

A single-phase pole line with a no. 1/0 aluminum-HDPE primary conductor, a three-conductor no. 1/0 triplex aluminum secondary cable, and a 6M telephone messenger makes a 900 turn; the poles are 40 ft and spaced 125 ft apart. Select the corner pole.

*Solution*

From Table 5-9, of conductor loading values for a 40-ft pole,

No. 1/0 aluminum-HDPE conductor	14.1 units
Three-conductor no. 1/0 aluminum triplex	17.3
6M telephone cable	<u>27.8</u>
Total	59.2 units

From Table 5-10, of transverse loading values for a 40-ft pole, for a 125-ft average span length,

No. 1/0 aluminum-HDPE conductor	0.5 units
Three-conductor no. 1/0 aluminum triplex	0.5
6M telephone cable	<u>0.8</u>
Total	1.8 units

The total loading force is  $59.2 + 1.8 = 61.0$  units.

From Table 5-11, of ground-line resisting moments, the heaviest pole, class 00, can only support 30.5 units. A class 4 pole with guying should be specified.

From Table 5-12B, of guy wires and leads for 40-ft poles and grade C construction, since this is a corner pole, it should be guyed in each direction. The conductor loading in each direction will act on the pole as a dead-end condition. From Table 5-9, the 60° column,

No. 1/0 aluminum-HDPE conductor	10.2 units
Three-conductor no. 1/0 aluminum triplex	12.3
6M telephone cable	<u>19.7</u>
Total	42.2 units

Reading down in the first column of Table 5-12B, to 23 units (the total for the power conductors only), moving right to Alumoweld: Dead-End and Angle Loading, note that the 6M wire cannot handle the load, the 11M wire needs a 10-ft lead, and the 17M wire needs a 6-ft lead. Unless field conditions conflict, specify the smaller wire, 11M with a 10-ft lead. (Where the pole cannot be guyed in each direction, one guy may be used; follow the procedure set forth in Table 5-10.)

From Table 5-13, of anchor holding power for a 40-ft pole, using a lead length of 10 ft, and using the first column (number of units) as a guide, move down the 10-ft column to the level of 42 units, and left to the first curve intersected, the 200-in<sup>2</sup> expandable anchor, which should be specified.

Summing a class 4 pole with one Alumoweld 11 M wire in each direction, each with a 10-ft lead, and a 200-in<sup>2</sup> expandable anchor on each, should be specified.

---

## APPENDIX 5C

# Concrete and Metal Poles

### INTRODUCTION

While the overwhelming number of poles employed in electric distribution systems in the United States are made of wood (and are likely to remain so for the indefinite future), poles made of reinforced concrete and of steel and aluminum are also to be found where, for one reason or another, wooden poles are considered unsuitable. See reference to “concrete poles” in Preface to 2nd Edition.

In general, concrete poles are used in those areas, swampy and persistently wet, where the soils greatly shorten the life expectancy of wood poles. Moreover, in such instances, the rate of decay of wood may be so erratic and uncertain as to permit unsafe conditions to arise that may not be discovered before accidents result. Concrete poles are sometimes also specified in areas of chemical contamination and pollution that may cause rapid deterioration of wood.

Concrete poles and poles made of steel or aluminum are specified in special situations where poles of unusually high strength are required, beyond the range of wood poles, and where guying may be difficult or unobtainable.

Again, concrete and metal poles may be specified where their appearance is preferred to poles made of wood. They find particular application for street and highway lighting, for parking lot and security lighting, and for recreational and industrial lighting, applications often included in the planning and design functions of the distribution engineer.

In general, the first cost of such poles is greater than that of wooden poles of equal strength. Improved methods of manufacture, however,

have already made these concrete and metal poles competitive for the larger transmission pole requirements, and prospects for distribution application appear promising. In addition, they are much heavier than corresponding wood poles and consequently much harder to handle, especially when they are to be replaced in the field.

## CONSTRUCTION

### **Concrete Poles**

Concrete poles are manufactured in several cross-sectional shapes: round, square, and polygons (usually six or eight sides). Moreover, they may be solid or hollow. The method of pouring the hollow poles involves spinning the form while the concrete is being poured, and forcing it to the outside while leaving the center hollow; the result is a highly uniform, compact, prestressed concrete of high strength and texture.

As concrete has a higher strength under compressive loads than under tensile loads, the overall strength of concrete poles depends a great deal on the steel reinforcement. Its strength also depends considerably on the mixture of cement and how it is cured.

Where cross arms or other distribution devices and equipment are to be mounted directly on the pole, provision is made for the necessary bolt holes when the concrete is being poured.

Besides their appearance and greater strength, hollow poles provide a means for electrical risers to be installed inside the pole out of sight and not readily accessible to the public. Other advantages claimed include resistance to fire, birds (especially woodpeckers), rot, and vandalism; also the elimination of harm and clothing damage to the public from contact with some wood preservatives. A variety of colors and finishes also is possible with concrete poles; these may contribute to their acceptance.

### **Metal Poles**

Usually made of steel or aluminum, metal poles are made in the same cross-sectional shapes as the concrete poles: round, square, polygonal. In addition, they may also be fabricated in the form of angles, channels, or tees, or sometimes two of these forms tied together with lacing of some kind; expanded metal is also sometimes used. They may be bolted, welded, or riveted together, the method selected depending



on a number of factors—the required strength, desired appearance, cost, and maintenance requirements.

## INSTALLATION

### **Poles**

Concrete poles, whether solid or hollow, are installed in the same manner as wood poles, enabling the same methods and equipment to be used for setting this type of pole.

Steel and aluminum poles may also be installed in this same fashion. In many instances, however, they are bolted to a base plate that is anchored in a concrete footing buried in the ground.

### **Attachments**

Concrete cross arms, frequently used in transmission structures, are seldom used in distribution systems. The regular wood cross arm may be bolted to the concrete pole in the same manner as to wood poles; it may also be attached to the pole by metal V-shaped brackets which are clamped around the pole and to which the cross arm is bolted at the proper height.

Transformers, capacitors, cutouts, insulator pins, and other devices are attached to the concrete poles in a similar manner. Where bolt holes are provided, they may be bolted directly to the pole; otherwise brackets, as described above, may be used.

In many instances, steps are incorporated in the concrete poles, or provision is made for their temporary installation to permit workers to reach the upper parts of the pole.

Attachment to metal poles may be made in the same manner. Because drilling of holes in the metal pole is more readily accomplished than in concrete poles, bolted attachments to such poles are usually preferred.

## DESIGN

### **Stresses**

Stresses imposed on concrete and metal poles are calculated in the same manner as for wood poles: as if they were a cantilever beam fixed

at one end. These values, with proper factors of safety applied, are used in the selection of the pole.

**Selection of Poles**

In selecting a concrete pole, in addition to the ultimate ground-line moment and overall pole length requirements, similar to those required in selecting a wood pole, attention is also given to the size and location and number of holes, if they are included in the pole standards, and to the length of “embedment,” or depth of burial in the ground. As a rule, this embedment is taken as 10 percent of the pole length plus 2 ft.

Concrete poles have not yet been standardized into classes as have wood poles, but there are indications pointing to that goal. Standards of one manufacturer are shown in Table 5-22, which includes a general comparison of ASA class standards for wood poles with round, hollow, steel-reinforced concrete poles. Additional data on these and some square-cross-section, hollow, reinforced concrete poles are contained in Chapter 10.

Metal poles also find widespread use as supports for a variety of lighting purposes as well as for supports for signs and platforms, as flag and pennant staffs, and in many other fields. Such poles are usually designed specially for the use to which they will be put, though some relatively minor standardization of sizes, diameters, thicknesses, etc., exists.

**Table 5-22. Hollow round concrete pole design data.**

<i>Wood, ASA class</i>	<i>Reinforced concrete class</i>	<i>Ultimate strength, lb</i>	<i>Allowable strength, SF = 2,* lb</i>
—	A	3200	1600
—	B	2700	1350
1	C	2250	1125
2	D	1850	925
3	E	1500	750
4	F	1200	600
5	G	950	475

*Note:* Assume load is applied 2 ft from the top of the pole and break occurs at the ground line.

\*Safety factor of 2; these working loads are equivalent to ASA standard classes for wood poles.

Courtesy Centrecon, Inc.

*This page intentionally left blank*

## Chapter 6

# Mechanical Design: Underground

The placing of cables and equipment underground presents problems completely different from those of installing similar facilities overhead. For downtown areas of high load density served by low-voltage secondary networks, underground service can be justified economically, satisfying the rather rigid reliability and environmental demands associated with this type of area. Such reasoning, however, can hardly justify the installation of the same kind of underground service in less dense urban areas and in suburban areas, which call for different construction, maintenance, and operating practices. The discussion, therefore, will be divided into two parts: that for city areas, particularly the downtown areas; and that for urban and suburban areas of lighter load densities. In general, cables and transformers in the former are placed in ducts, manholes, and vaults; while in the latter they are buried directly in the ground, with transformers installed in metal enclosures situated at ground level, or totally or partially buried in the ground.

### HIGH-DENSITY LOADS: CITY AND DOWNTOWN AREAS

In congested areas, it is essential that conductors, transformers, and other equipment can be installed, maintained, repaired, and replaced, that faults can be located without causing undue inconvenience to the public. Cables are placed in conduits or ducts and spliced in manholes and service boxes, and transformers and equipment are installed in manholes and vaults. Ducts and manholes must be designed not only with regard to the facilities they do and will contain, but also with regard to the type of soil and terrain they are installed in and the existence of other utilities and obstructions (e.g., water, gas, sewer, telephone, and railway). The design engineer's work is made more difficult by the economic desirability of installing prefabricated (precast) ducts, service boxes, and

manholes, as well as the need to comply with codes and regulations at all governmental levels: national, state, county, and local city or village.

### Ducts

The number of ducts installed should provide for whatever growth may be reasonably expected at the time of installation, but it may be limited by the space available. Ducts may vary in size, but those of a 4-in diameter are most commonly used. Ducts may be of wood, tile, fiber, plastic or other compounds, steel and iron pipe, or concrete; precast reinforced concrete appears to be greatly preferred. Some ducts are encased in concrete envelopes, and others are formed from concrete poured over cores (usually made of rubber or plastic) which are removed after the concrete has set; precast reinforced concrete sections are laid in the ground and connected together, formed into banks. The arrangement of ducts in a bank, though often dictated by the space available,

is important from the viewpoint of dissipation of heat and its effect on the current-carrying ability of the cables installed within; see Figure 6-1.

Ducts should be installed at a depth below the surface to avoid possible damage from accidental driving of so-called bull points and, if possible, should be below the frost line to prevent dislocation from motion caused by severe changes in temperature. They should also be graded between manholes so that water will not accumulate in them. Moreover, where there are bends or offsets in the line, ducts should be gradually bent to accommodate the minimum bending radii of the largest cables to be installed; this bending radius

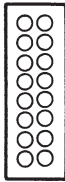
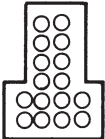
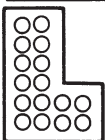

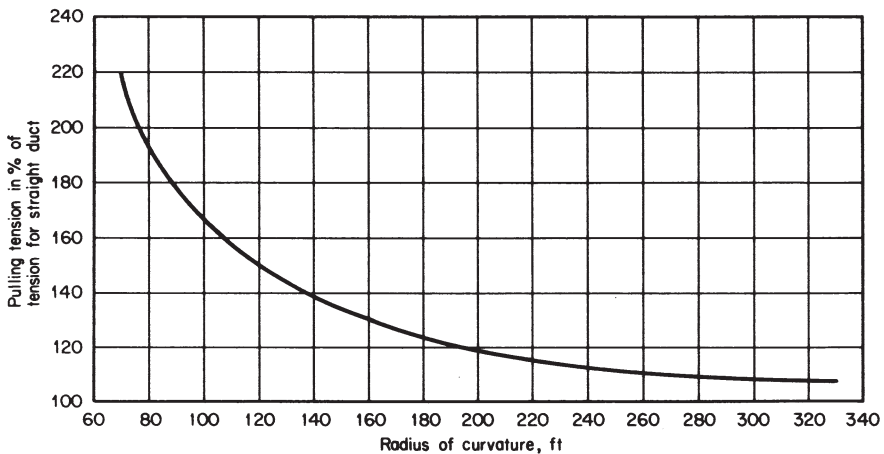
	Cost of duct construction	Ability to radiate heat	Cable support and racking conditions in manhole
	Expensive	Best	Best
	Moderate	Very good	Very good
	Moderate	Very good	Good
	Cheapest	Very poor	Very poor

Figure 6-1. Comparative duct characteristics (From EEI Underground Systems Reference Book.)

should be from 7 to 20 times the diameter of the cable, depending on its size, voltage classification, type of insulation, type of sheath, and other characteristics. The bends in the duct line should preferably be located near the manholes, as each bend will increase the pulling tension on the cable and thus reduce the maximum length or distance between manholes; see Figure 6-2.



**Figure 6-2. Effect of radius of curvature of conduit on pulling tension (applicable to a conduit consisting of one continuous curved section). (From EEI Underground Systems Reference Book.)**

### Service Boxes

Secondary mains are installed in ducts buried at shallower depths than those carrying primary conductors. These terminate in distribution or service boxes from which service cables to consumers emanate. Constructed of precast reinforced concrete, they are usually standardized at dimensions approximately 4 ft square and 2 to 4 ft deep, and are thus suitable for secondary distribution in four directions. They are usually located so as to accommodate the secondary mains and the largest number of services without overcrowding the box and without introducing too many bends in the service conduits. The entrance (or "throat" or "chimney") to these boxes is usually quite large, generally about 3 ft square, providing ample room for the worker to work from ground level or standing erect with head and shoulders above ground. Covers are

usually made of steel, with an inner cover installed to prevent dirt from entering, and may be locked to keep out unauthorized persons.

### **Cable Manholes**

Cable manholes are usually larger in size, standardized at different dimensions and shapes, with headroom of about 6 ft or better. They may be rectangular in shape for straight-line conduit construction, square for accommodating cables from four directions, or L-shaped where there is a turn in the duct line. They may accommodate ducts containing secondary mains at upper levels and ducts carrying primary cables at lower levels. The latter proceed from manhole to manhole, bypassing the service boxes, and the conduits are sometimes referred to as trunk ducts.

The manholes are made of reinforced concrete with facilities included for installing hangers to support the cables and splices along their walls. The size of the manhole shaft through the roof (or throat or chimney) is generally about 3 ft square or 3 ft in diameter.

The manholes are spaced as far apart as is practical to hold down the number of splices required. Proper selection of locations for the manholes will also reduce the number of bends in the conduit or duct system to a minimum.

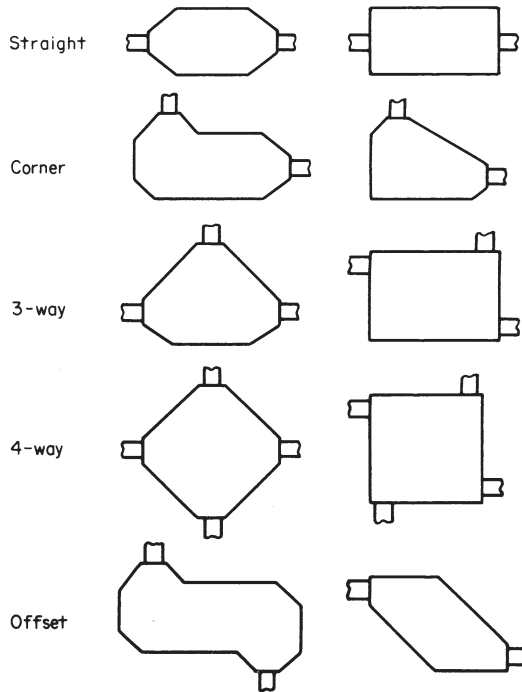
The various shapes of manholes also take into account the need for training, splicing, and racking of cables; typical "standard" shapes are shown in Figure 6-3. The essential difference among them is the number of conduit lines entering the manhole and the angle at which they enter in the walls in relation to each other.

Where the standard precast manholes cannot be installed for any reason, manholes of various shapes and sizes may be constructed in the field.

It is generally desirable to keep the earth fill over the manhole at a minimum, not only for economic reasons, but also for making the installation of local services and streetlight connections more practical. Local ordinances and existing subsurface structures, however, may dictate the depth at which the manhole roof is located.

### **Transformer Manholes**

Transformer manholes are designed to contain transformers and other equipment required for radial or network systems. Their dimensions depend on the location and the equipment they are to contain. Standard transformer manholes of reinforced prefabricated concrete are



**Figure 6-3. Typical shapes of cable manholes. (From EEL Underground Systems Reference Book.)**

generally approximately 6 ft by 17 ft. by 8 ft of headroom, essentially to accommodate a 500-kVA three-phase network unit, as shown in Figure 6-4; the manhole may also house other types of transformers and switches as part of a radial distribution system. The dimensions provide space for workers to operate and maintain switches on the primary side and network protectors on the secondary side.

### Design loading

The loading on the several parts of the manhole depends on the maximum load imposed on the street surface. The live load on the surface affects both the design of the roof slab and the walls. Wheel loads of 21,000 lb and impacts of 50 percent are typical values for heavily traveled streets over which truck traffic may be concentrated. For conservative values, wheel areas as little as 6 by 12 in, or a surface area of 0.5 ft<sup>2</sup>, are also considered. The concentrated load may then be as much as 63,000 lb/ft<sup>2</sup>:



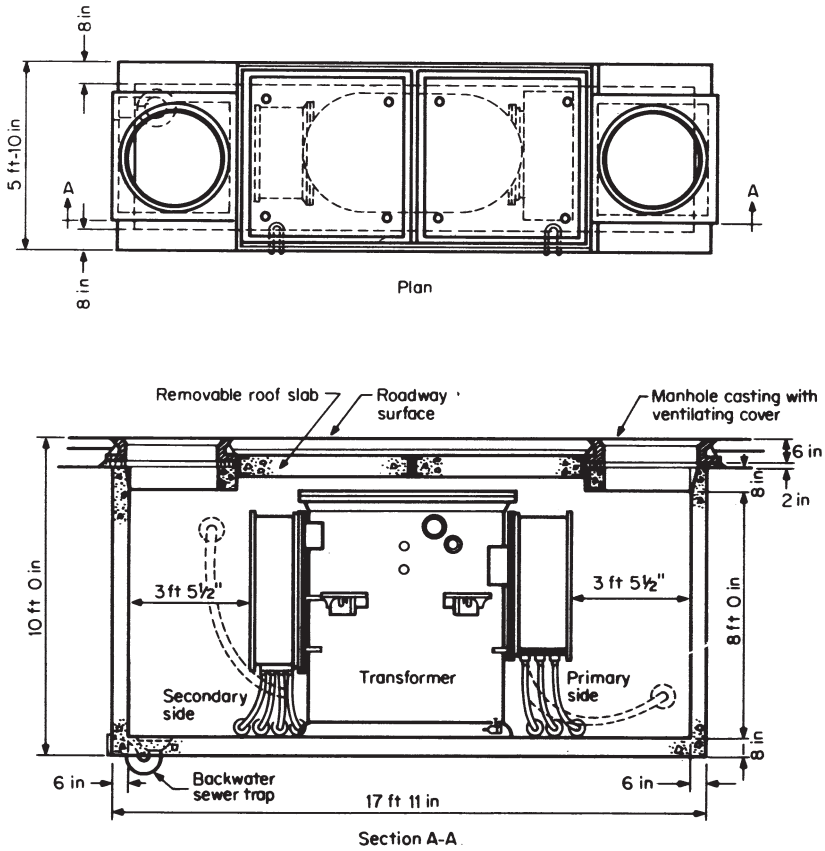
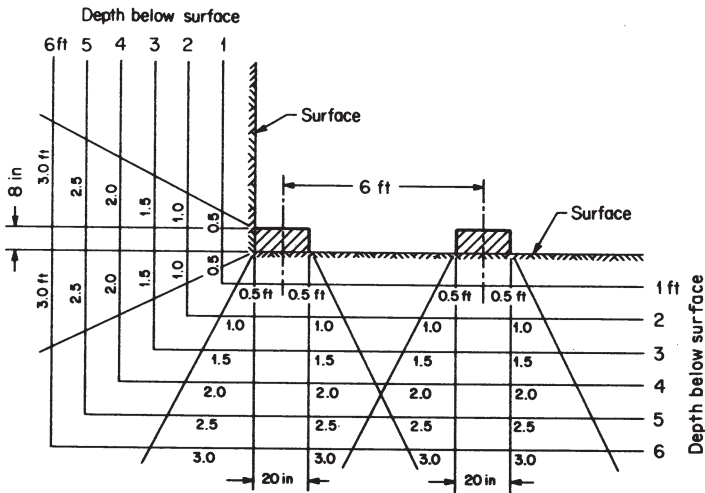


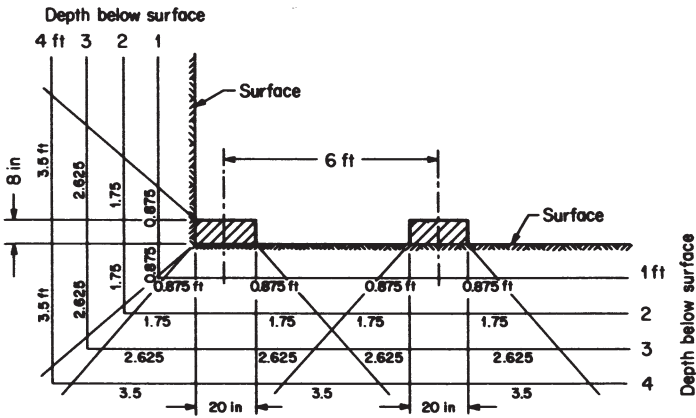
Figure 6-4. Transformer manhole under roadway, with removable roof slab. (Adapted from EEL Underground Systems Reference Book.)

$$\begin{aligned}
 \text{Concentrate load} &= \frac{\text{wheel load} \times (1 + \% \text{ impact} + 100)}{\text{wheel area}} \\
 &= \frac{21,000(1 + 0.5)}{0.5} = 63,000 \text{ lb/ft}^2
 \end{aligned}$$

The type of pavement, the nature of the soil beneath the pavement, and the depth (thickness) of the soil above the roof of the manhole serve to mitigate the actual effect of the concentrated load. The reduction in effective pressures at different depths below the surface is shown in the diagrams of Figure 6-5a and b and the associated Tables 6-1A and 6-1B.



(a)



(b)

Figure 6-5. Diagram showing area of spread of wheel loads (a) based on 1:1 spread and (b) based on 11:1 spread. (From EEL Underground Systems Reference Book.)

Table 6-1A. Pressure calculations based on a 21,000-lb wheel load—1:1 wheel spread.

Depth from surface, ft	Area of spread			Live-load pressure on cover*	Pressure on roof		
	Length L, ft	Width W, ft	Area, ft <sup>2</sup>		Live load**	Surcharge	Total
0	0.67	1.67	1.12	18,500	5200	0	5200
1	1.67	2.67	4.46	4,710	2100	150	2250
2	2.67	3.67	9.80	2,140	1310	250	1560
3	3.67	4.67	17.10	1,230	960	350	1310
4	4.67	5.67	26.50	790	750	450	1200
5	5.67	6.67	37.80	560	620	550	1170
6	6.67	7.67	51.10	410	520	650	1170
7	7.67	8.67	66.50	320	450	750	1200

\*Average pressure  $P_{av}$  that might be imposed on cover by maximum concentrated load, or (21,000 lb)/area.

\*\*The surface concentrated load uniformly distributed over the width of the manhole, or  $P_{av}W/6$ .

From *EEI Underground Systems Reference Book*.

Table 6-1B. Pressure calculations based on a 21,000-lb wheel load—1-3/4: 1 wheel spread.

Depth from surface, ft	Area of spread			Live-load pressure on cover*	Pressure on roof, lb/ft <sup>2</sup>		
	Length L, ft	Width W, ft	Area ft <sup>2</sup>		Live-load**	Surcharge	Total
0	0.67	1.67	1.12	18,500	5200	0	5200
1	2.42	3.42	8.27	2,500	1430	150	1580
2	4.17	5.17	21.5	970	840	250	1090
3	5.92	6.92	41.0	510	590	350	940
4	7.67	8.67	66.5	315	450	450	900

\*Average pressure  $P_{av}$  that might be imposed on cover by maximum concentrated load, or (21,000 lb)/area.

\*\*The surface concentrated load uniformly distributed over the width of the manhole, or  $P_{av}W/6$ .

From *EEI Underground Systems Reference Book*.

## Roofs

Manhole roofs are designed as a series of structural steel beams or rails, or reinforced concrete with extra-heavy steel reinforcement or structural steel to support the manhole frames. Where installed in sidewalks or other areas not subjected to heavy vehicular traffic, roof designs

may take into account the lighter loading. If there is any possibility of its being subjected to loads approximating street loadings, the design should be based on the heavier loadings.

### Walls

Manhole wall designs are based on the horizontal component of the effect of both live and dead loads acting on the walls. The horizontal forces will depend on the surface, the angle of repose of the soil, and the effect of the water table.

At depths below about 5 ft, as shown in Table 6-1B, for the spread of wheel loads, the weight of the earth above the manhole predominates. Here, the average of the live-load effects approximates 450 lb/ft<sup>2</sup>; it appears to be constant at lower depths.

The dead loads at various depths and various horizontal pressures as a percentage of the vertical pressure are shown in Table 6-2, which extends the tabulation associated with Figure 6-5a and b. Table 6-2 serves as a guide in determining the horizontal pressures with

**Table 6-2. Horizontal earth pressures at various depths.**

Depth	No live load				Live and dead loads				
	Dead load	Horizontal pressure, lb/ft <sup>2</sup>			Live load 1½:1	Total live and dead load	Horizontal pressure, lb/ft <sup>2</sup>		
		25%	30%	35%			25%	30%	35%
0	0	—	—	—	5200	5200	—	—	—
1	150	38	45	53	1430	1580	395	474	553
2	250	63	75	88	840	1090	273	327	382
3	350	88	105	123	590	940	235	282	329
4	450	113	135	158	450	900	225	270	315
5	550	137	165	193	450	1000	250	300	350
6	650	162	195	228	450	1100	275	330	385
7	750	187	225	262	450	1200	300	360	420
8	850	212	255	298	450	1300	325	390	455
9	950	237	285	333	450	1400	350	420	490
10	1050	263	315	367	450	1500	375	450	525
11	1150	288	345	402	450	1600	400	480	560
12	1250	312	375	438	450	1700	425	510	595
13	1350	338	405	472	450	1800	450	540	630
14	1450	352	435	507	450	1900	475	570	665
15	1550	387	465	542	450	2000	500	600	700

From *EEl Underground Systems Reference Book*.

various head rooms and depths for the several corresponding angles of repose of the soil and pressures from the hydrostatic head of the water table.

### **Floors**

In the design of manhole floors, the load-bearing power of the soil and the height of the water table play an important part. The soil must support the weight of the manhole structure, its contents, and any imposed surface live loads. In firm soils, the earth is capable of supporting the structure and any additional weight. The floor, therefore, is often poured after the walls are in place, adding to the strength of the walls. The floor wells are 4 to 6 in thick.

Where the earth is not capable of supporting the loading of the walls, the floor is used as a means of spreading the load. Here, the floor is poured before the walls are installed. Similar measures are employed in areas of high water table. Such floors are usually made of reinforced concrete, a minimum thickness of 6 in, and are constructed with a key-way for the walls. Where the hydrostatic pressure is high, an additional pour of 2 to 4 in of concrete is added on top of the floor.

Prefabricated manholes may be completely precast in one piece, or in a caisson type in which the roof and floor are separate. The caisson walls are sunk in place, the precast floor is placed within it (or a floor is poured), and a precast roof is installed in keys in the walls provided for that purpose (such roofs are also installed in other types of manhole construction). Small manholes or service boxes may also be completely precast or formed from precast individual pieces.

### **Frames and Covers**

The frames and covers are made of cast iron, malleable iron, or steel, and are designed to withstand the loadings mentioned earlier; covers infrequently used may be made of reinforced concrete. Depending on the area over which the load is applied, frames and covers may have to withstand wheel loads from 50,000 to 200,000 lb, though sidewalk covers may be designed for lowered loadings. Although covers may be either square or round, the latter shape is preferred to insure against their falling into the manhole when being replaced. Frames and covers for transformer manholes may be of the completely fabricated grating type, or of the combination type—part solid and part grating—that is specified for roadway use, but they will be of lower loading

rating.

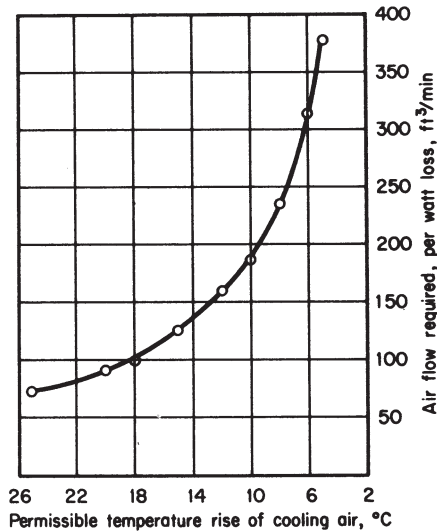
Transformer manholes are usually built with a removable roof slab covering an opening capable of admitting large distribution and network units. The manholes are of reinforced concrete with the slabs sealed and made watertight, the pavement being replaced after the transformers are installed. The pavement is cut and the slab removed when transformer replacements are required. When the transformer manhole is located under the sidewalk, the roof slabs are flush and made part of the sidewalk surface, and are readily removed when necessary. Prefabricated manholes may be completely precast or formed from precast individual floors, walls, and roofs.

### **Ventilation**

The principal source of heat within a transformer manhole is that caused by losses in the core and windings of the transformer, losses which can be obtained from the manufacturer's data or can be calculated approximately. The dissipation of heat is to some extent based on the area of the enclosing walls and the nature of the adjacent soil conditions. For proper operation of transformers, the manhole should have sufficient cubic content supplemented with natural ventilation to keep the temperature within prescribed limits. Air temperatures in the manhole should not exceed 40°C, mainly occurring at periods of maximum load. The approximate number of cubic feet of air per minute to dissipate the heat may be found conveniently from the curve in Figure 6-6. When such limits cannot be attained by normal circulation of air between the two ventilating gratings of the transformer manhole, it may be necessary to provide some means of forced ventilation, such as blowers, water coolers, etc.

The ventilation of transformer manholes must not only provide sufficient cooling to keep the transformer within proper limits even under extreme operating conditions, but must provide a sufficient vent area outlet to prevent the explosion of gases or oil vapors that may develop from transformer failure. This vent area must bear a relationship to the volume of the transformer manhole: the smaller the ratio of the volume of air in the manhole to the total ventilating area (or area of openings), the less will be the pressure developed in the manhole and the lighter the construction necessary to withstand the force of the possible explosion.

Gratings situated at either end of the manhole, generally over the



**Figure 6-6.** Airflow requirements for limiting temperature rise in transformer vaults. (From EEl Underground Systems Reference Book.)

cleared areas reserved for workers, not only provide access but help to ventilate the transformer and manhole.

### Transformer Vaults

Where the transformers are to be installed inside a building, or sometimes outside under a sidewalk, vaults are constructed. They are usually of reinforced concrete, the dimensions of which are dependent on the transformers and accessories to be installed, the space available and its location, the adjacent structures and substructures, and applicable code requirements and local ordinances. The same minimum ventilation and vent-volume requirements apply as for transformer manholes. Access for both equipment and personnel from the outside are usually sought, but may be substituted by adequate internal means of access. In very tall buildings, such vaults may be located on upper floors, in addition to the usual vault at basement level.

Vault ceilings or roofs should be designed to take into account possible fire and explosion from transformer failure or other causes.

## Cables

Multiple-conductor cables are preferred for installation in duct systems because of the advantages of handling one cable in the field. Where the conductors are rather large, each single-conductor cable may be installed in a separate duct. Primary mains are almost always three-conductor cables. Single-conductor cables are generally used for secondary mains; they are also used for the secondary feeds from transformers, for streetlight circuits, and in special instances for primary mains.

### *Cable Insulation*

For both primary and secondary cables, plastics such as cross-linked polyethylene are now almost exclusively used; some oil-impregnated paper is still installed in special cases where much of that kind of insulation exists. Varnished cambric and rubber, for primary, and rubber, for secondary cables, were widely used, and many cables using these types of insulation are still in use. Some polyethylene (PE) and polyvinyl chloride (PVC) insulation is also being used, principally for secondary cables. The trend toward plastic insulations, it appears, will continue, with new and better compounds certain to make their appearance.

### *Cable Sheaths*

Lead sheaths, again, though still used in decreasing amounts, appear to be giving way to plastics. Many lead-sheathed cables exist and will exist for a long time, but new installations are almost exclusively plastic, principally cross-linked polyethylene, used as both insulation and sheath.

## Splices

Splices or joints in cables with nonplastic insulation and with metallic sheaths are much more complex and require greater time and skill to make than those in plastic-type cables. Such a splice is shown in Figure 6-7. Cables with plastic insulation and plastic sheaths are simpler and quicker to splice as, generally, the splice consists of a wrapping of tape of the same material over the connectors, crimped on the two conductors being spliced. The plastic tape eventually solidifies into a homogeneous mass integral with the insulation or sheath.

Conductor connectors are usually copper or aluminum tubes



crimped onto the ends of the conductors to be joined. Some of the older connectors were tubes split horizontally and squeezed onto the ends of the conductors, with solder poured into the slit and over the connector. Soldered connectors are now almost entirely obsolete.

### **Underground Equipment**

Transformers, oil-filled cutouts, and oil switches for use underground are hermetically sealed so as to be waterproof. Such submersible equipment is usually of welded construction. Wiping sleeves are welded or brazed directly to the tank or terminal chamber, to which cable sheaths are attached. Barriers in the conductors prevent the equipment oil from being siphoned into the cables.

In low-voltage network areas, network transformer units are installed, comprising switching facilities on the primary side and a network protector on the secondary, low-voltage side of the transformer.

## **PRACTICAL MANHOLE DESIGN PROCEDURE\***

Practical procedures containing instructions and technical data for designing underground facilities have been prepared, reducing the work necessary in preparing plans and orders to the field. A procedure outlining the basis of the structural design for field-poured or precast reinforced concrete manholes and vaults used in electric distribution systems follows.

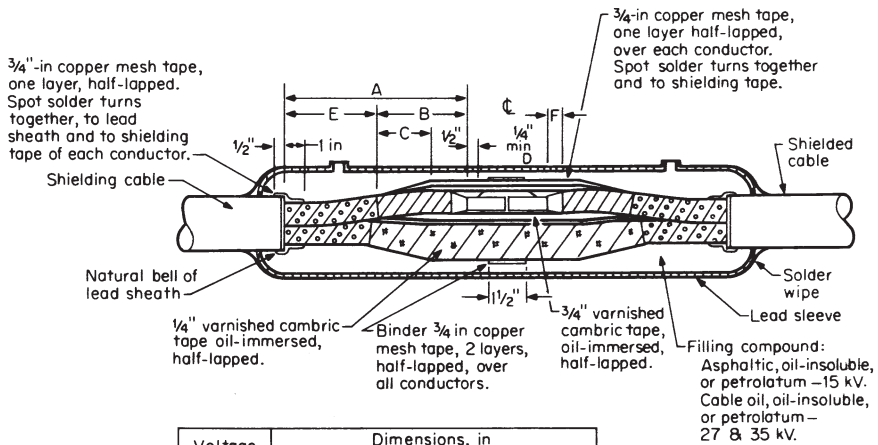
## **DESIGN LOADING**

### **Live Load**

Live-load requirements are based on those of the American Association of State Highway and Transportation Officials (AA8HTO) for an HS-20 or H20 16,000-lb wheel load plus a 30 percent impact factor, or a maximum wheel load of 20,800 pounds. They must also meet prevail-

---

\*The material from this point through the end of the section Construction Practices on p. 232 is adapted from Application & Design Manual, courtesy Consolidated Edison Co. of New York.



Voltage rating, kV	Dimensions, in						
	A*	B	C	D		E*	F**
				P	VC		
15	9-11	6	3	3/8	7/16	3-5	3/4
27	11-13	8	4	9/16	3/4	3-5	1 1/2
35	12 1/2 14 1/2	9 1/2	4	1 1/16	-	3-5	1 1/2

Dimension D  
 P— for paper insulated cable  
 VC— for varnished cambric insulated cable  
 \*The upper limit applies to larger cables  
 \*\*Cable paper insulation may be either penciled or stepped. For joints on cables rated 35,000 V, stepped is preferred.

**Figure 6-7. Straight joint for three-conductor shielded paper- or varnished-cambric-insulated lead-covered cable, 15 to 35 kV. (From EEL Underground Systems Reference Book.)**

ing local building codes and ordinances that usually specify 600 lb/ft<sup>2</sup>. The basis for design is the greater of these two requirements.

*Live-load Criteria*

1. Sidewalk and driveway: A 600 lb/ft<sup>2</sup> uniform live load or a 16,000-lb wheel load without impact, whichever produces the greatest stresses
2. Roadway: A 600 lb/ft<sup>2</sup> uniform load or a 16,000-lb wheel load with a 30 percent impact factor, or 20,800 lb, whichever produces the greatest stress

### Wheel Load

The 16,000-lb (H8-20 or H20) wheel load shall be taken as acting on a 12- by 20-in area, and no more than two such loads shall be acting at a spacing of 5 ft; see Figure 6-8.

### Wheel Load Distribution

The effective area over which a wheel load acts at any depth below the pavement surface shall be determined by spreading the wheel load through pavement (concrete or asphalt) and soil in the following manner:

1. Pavement: The wheel load is to be spread at a 45° angle with the vertical in all directions.
2. Soil: The wheel load is to be spread at a 30° angle with the vertical in all directions.

The wheel load area as a function of depth for a 9-in pavement is shown in Figure 6-9.

### Surcharge Load

The uniform 600 lb/ft<sup>2</sup> live load shall be taken, when applicable, as acting on the surface as a surcharge load.

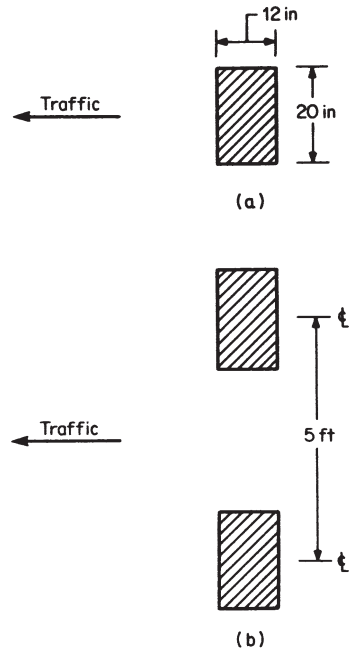
### Earth Pressure Coefficient

The active earth pressure coefficient shall be taken as  $K'' = 0.33$ , which assumes an angle of repose or internal friction of 30°.

### Dead Load

The unit weights used for computing dead load shall be as follows:

1. Soil-100 lb/ft<sup>3</sup> wet soil weight
2. Soil-65' lb/ft<sup>3</sup> submerged soil weight



**Figure 6-8. Multiple wheel load. (a) H20 (HS-20) wheel load. (b) Multiple wheel load. (Courtesy Consolidated Edison Co.)**

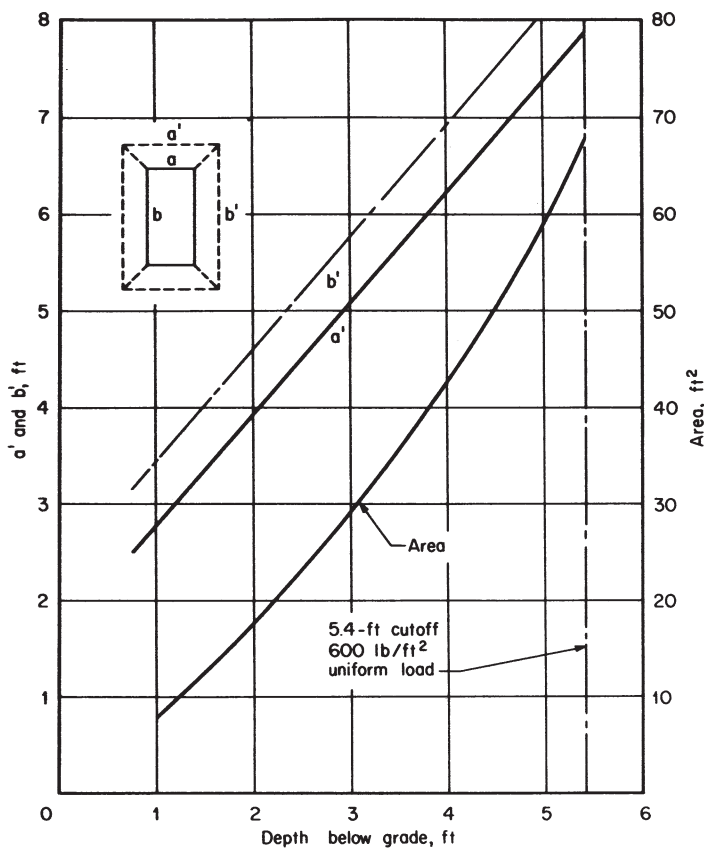


Figure 6-9. Spread of wheel for 9-in pavement. (Courtesy Consolidated Edison Co.)

3. Pavement (concrete or asphalt)-144 lb/ft<sup>3</sup>
4. Concrete (plain)-144 lb/ft<sup>3</sup>
5. Concrete (reinforced)-150 lb/ft<sup>3</sup>

### DESIGN STRESS BASES

Allowable stresses are given in terms of the following quantities:

- $f_c$  allowable compressive strength in concrete, lb/in<sup>2</sup>
- $f'_c$  28-day compressive strength of concrete, lb/in<sup>2</sup>
- $f_s$  allowable strength in steel, lb/in<sup>2</sup>

- $n$  ratio of modules of elasticity of steel to that of concrete  
 $V_c$  allowable shear stress in concrete

### Allowable Stresses—Concrete

**Table 6-3. Allowable stresses—concrete.**

<i>Type of concrete</i>	<i>n</i>	<i>f'<sub>c</sub></i>	<i>f<sub>c</sub></i>	<i>V<sub>c</sub></i>
Precast plant concrete	8.5	3500	1575	118
	7.0	5000	2250	141
Field-placed concrete	8.5	3500	1100	83

### Allowable Tensile Stresses—Reinforcing Steel

For ASTM A615 grade 40 deformed-billet steel bars,  $f_s = 20,000$  lb/in<sup>2</sup>. For ASTM A615 grade 60 deformed-billet steel bars,  $f_s = 24,000$  lb/in<sup>2</sup>.

### Allowable Steel Stresses

Structural steel elements are to be designed in accordance with the latest revision of the *AISC Manual of Steel Construction*. All solid steel covers and steel gratings subjected to repeated traffic loading are to be designed in accordance with the *AASHTO Requirements for Design of Repeated Loads* for 500,000 cycles of load.

### Allowable Bearing Pressures for Soil

Unless organic clays or silts are encountered, a value of 1.5 tons/ft<sup>2</sup> may be used as a conservative bearing value. If a manhole or vault is to be installed on clay, clayey soils, or organic material, careful evaluation should be made of the potential for settlement. The use of a crushed-stone base or piles may be required and soil borings may be necessary.

## WALL DESIGN

### Rigid Horizontally Reinforced Frame

The wall loading for lateral earth pressure due to live and dead loads shall be taken from the design chart in Figure 6-10. The frame shall be analyzed using conventional indeterminate structural techniques.

Midspan moments and corner moments may be calculated by using formulas given in the sample design problem in this chapter or by using the moment coefficients for each moment given in Figures 6-11, 6-12, and 6-13.

### Simply Supported Vertically Reinforced Structures

The wall loading for lateral earth pressure due to live and dead loads shall be taken from the design chart in Figure 6-10. The wall should be analyzed as a simply supported strip with a height equal to the headroom of the manhole plus one half the sum of the floor and roof thicknesses. This method is to be used with field-poured manholes only and requires a field-poured roof connected to the walls and able to carry the wall reaction.

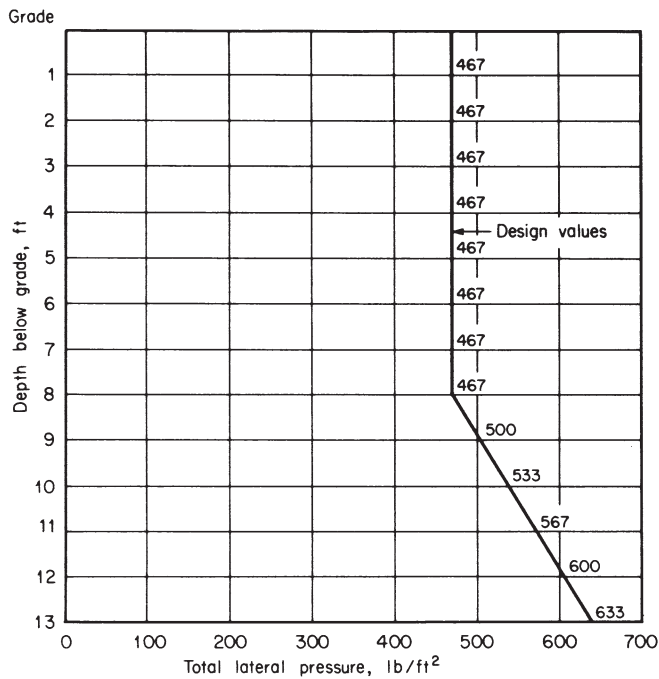


Figure 6-10. Design chart-lateral pressures on walls. (Courtesy Consolidated Edison Co.)

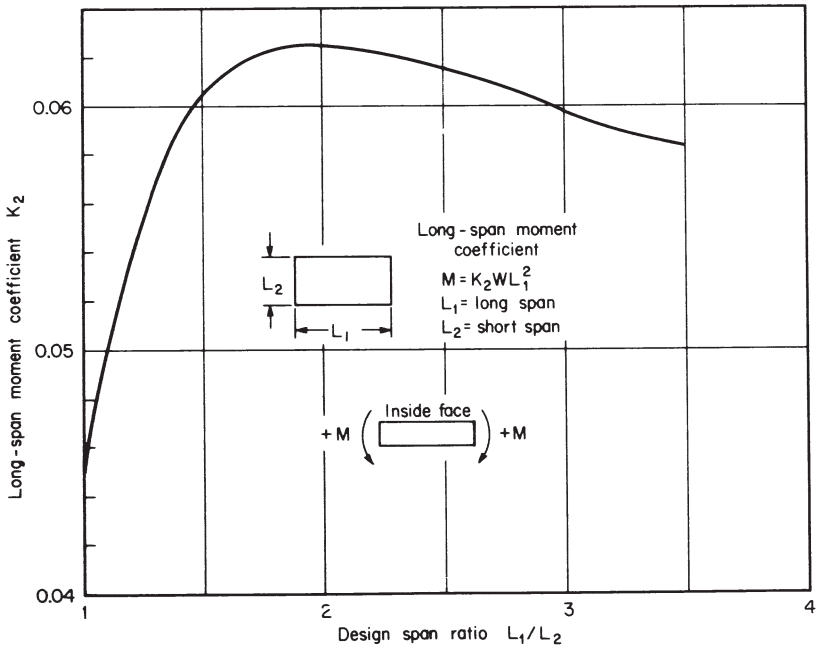


Figure 6-11.

### Combination of Horizontally Rigid Frame and Vertically Reinforced Designs

A method that combines the two methods described above may be used when conditions indicate that there are areas where the reinforcing for both the vertical and horizontal methods is severely interrupted by openings.

### Partition Walls In Vaults

Partition walls in field-poured vaults which house oil-type transformers inside the consumer's property shall be designed for an internal blast load of 600 lb/ft<sup>2</sup>.

### Other Requirements

All field-poured vertically reinforced vaults and manholes shall have a minimum thickness of 6 in.

All field-poured horizontally reinforced rigid-frame-type vaults and manholes shall have a minimum wall thickness of 8 in.

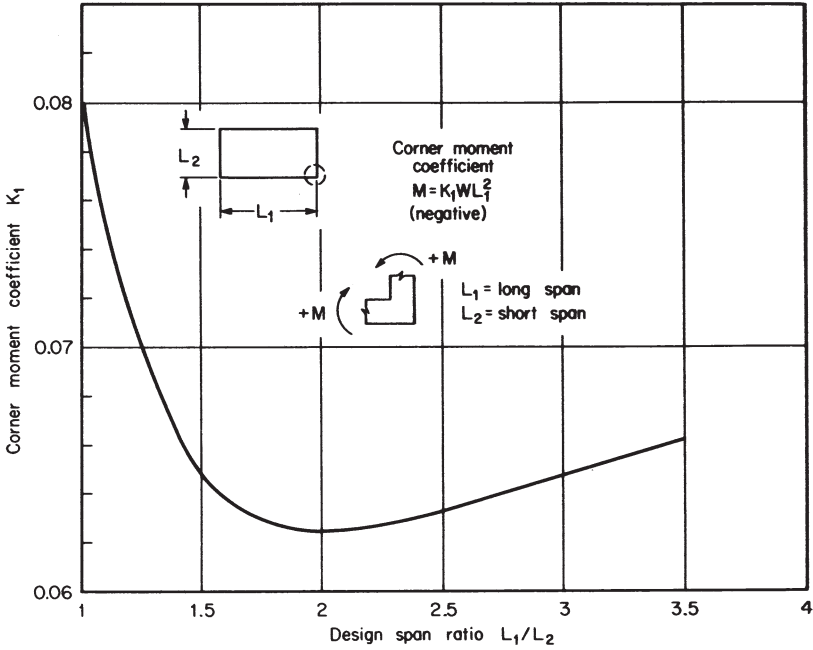


Figure 6-12. Corner moment coefficient. (Courtesy Consolidated Edison Co.)

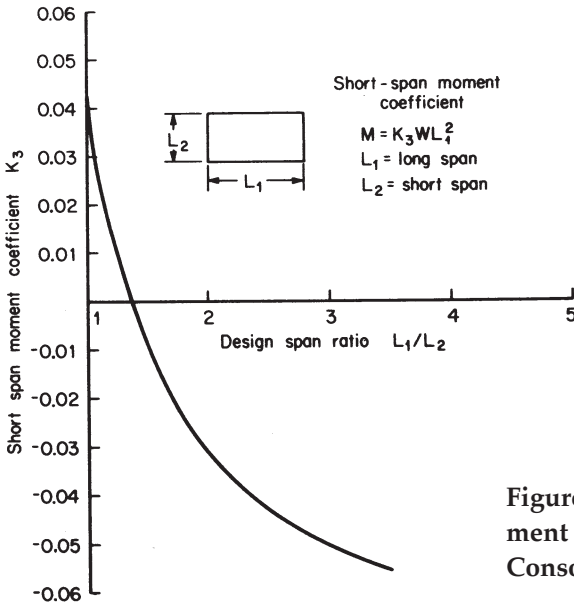


Figure 6-13. Short-span moment coefficient. (Courtesy Consolidated Edison Co.)



Where watertight construction is required, the walls shall be monolithically poured with the floor for a minimum distance of 12 in above the top of the floor level. A water stop shall be inserted at this location, as shown in Figure 6-14. A minimum wall of 10 in is required for all vault construction under these conditions, and 5000 lb/in<sup>2</sup> concrete may be used.

## ROOF DESIGN

### Live Loads

All roof structures for manholes or vaults shall be designed to carry the live loads specified above in the section Design Loading.

### Wheel-Load Area

The design wheel load (HS-20 or H20) shall be taken acting on an area which is to be determined using the method of spreading a concentrated load defined under Wheel Load Distribution in the section Design Loading, above.

### Field-Poured Manholes

All field-poured manhole roofs shall be designed using structural steel sections around the roof opening to support the manhole frame.

### Precast Manholes

Precast manhole roofs may be designed using a simply supported reinforced concrete beam around the opening to support the manhole frame.

### Roof Slabs

Roof slabs shall be designed as one- or two-way reinforced concrete slabs; where the ratio of short span to long span exceeds 0.5, a one-way slab design shall be used.

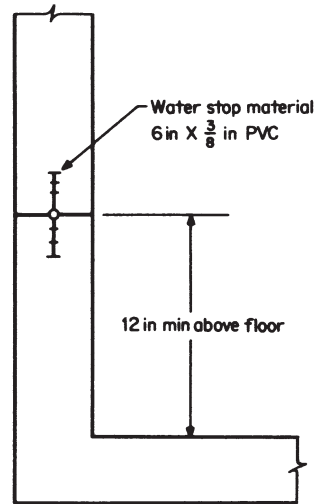


Figure 6-14. Water stop detail; water stop to be lap-spliced 4 in on each side of vertical joints and continuous around all corners. (Courtesy Consolidated Edison Co.)

### One-Way Slab

The design moment shall be determined using a simply supported beam strip loaded with the effective live-load intensity and uniform deadload. Table 6-4 gives the design moments as a function of depth.

**Table 6-4. Simple-support roof slab moment, ft·lb.**

<i>Design depth, ft</i>	<i>Design span</i>				
	<i>4 ft</i>	<i>5 ft</i>	<i>6 ft</i>	<i>7 ft</i>	<i>8 ft</i>
0.75 to 1.75	5,500	7,860	10,270	12,740	15,260
1.75 to 5.0	2,860	4,690	6,330	8,130	10,460

### Two-Way Slab

The design moment shall be determined using Table 6-4 for a one-way slab and then proportioning the one-way slab design moments for the short-direction and long-direction moments using the conversion constants in Table 6-5.

**Table 6-5. Conversion factors for two-way slab moments.**

<i>Ratio of clear spans</i>	<i>Long-span moment factor <math>K_l</math></i>	<i>Short-span moment factor <math>K_s</math></i>
1.0	0.500	0.500
0.9	0.396	0.604
0.8	0.295	0.709
0.7	0.194	0.806
0.6	0.114	0.886
0.5	0.059	0.940

Short-span moment  $M_s = K_s \times$  simple-span moment

Long-span moment  $M_l = K_l \times$  simple-span moment

### Above-Grade Vault Roofs

All above-grade vault roofs shall be designed for a uniform dead load plus a live load of 30 lb/ft<sup>2</sup> of projected area plus internal blast load.

### Other Requirements

The minimum thickness of a precast roof shall be 6 in. The minimum thickness of a field-poured roof shall be 8 in.

## FLOOR DESIGN

### Loading

The loading on the floor of a manhole or vault depends on the size of the transformers or equipment to be installed. The weights of some transformers are listed in Table 6-6, together with some approximate areas upon which the loads are imposed.

**Table 6-6. Transformer weights and load areas.**

<i>Transformer size, kVA</i>	<i>Weight or load, lb*</i>	<i>Area for direct load</i>
300	9,000	2 ft × 3½ ft
500	12,000	2 ft × 4 ft
1000	16,000	2 ft × 4 ft
2000	24,000	3½ ft × 4½ ft
2500	30,000	3½ ft × 4½ ft

\*Add 3000 lb for network protectors.

### Manholes

#### *Soils*

In all soil conditions other than soft clay, medium clay, organic material, and a water condition where the groundwater level is higher than the top of the floor level, the floor shall be designed as a reinforced concrete slab capable of resisting a bending moment produced by a partial uniform load which results from dividing the entire dead and live load by the area bounded by the outside perimeter of the structure and of the strip extending 24 in inward. The resulting partial uniform load shall be applied to the floor design span and a design moment shall be calculated.

In areas of soft clay, medium clay, organic material, and a water condition where the groundwater is higher than the floor level, the floor shall be designed as a reinforced slab resisting a uniform load which is the result of the total dead and live load divided by the total area of the base of the manhole. The floor slab may be designed as either a one- or a two-way slab. In severe water areas (tidal zones, high water table) provision shall be made for moment continuity at the junction of the floor and wall. Negative-moment steel shall be provided by using one-sixth the clear floor span plus 12 in as the reinforcing rod length to be carried into the wall and the floor. The rod size and spacing shall be taken as the same as those used for the floor reinforcing.

### *Precast Floors*

Precast floors shall be designed for soil conditions as described above. If poor soil conditions exist, discretion should be used in specifying a precast manhole. A layer of crushed stone or concrete may be required to improve the foundation characteristic of the soil.

Precast floors shall be designed for lifting, using a dynamic load factor of 1.1.

### *Other Requirements*

Minimum floor thickness, regardless of loading, shall be as follows:

- Precast structures—6 in
- Field-poured manholes—8 in
- Field-poured vaults on soil—10 in
- Field-poured vaults on rock—8 in
- Field-poured vaults on steel frames—6 in

## REINFORCING SPECIFICATIONS

### **Minimum Protection of Beams and Reinforcement Bars**

The minimum concrete protection or cover of beams and reinforcement bars (in inches) is shown in Table 6-7. At no time, however, shall the required reinforcing in the roof, walls, or floor slab be less than that required for temperature reinforcing as defined in the American Concrete Institute Code, latest revision.

## GRATINGS

### **Loadings**

Loadings for gratings are shown in Table 6-8.

### **Sidewalk Areas**

Gratings over vaults and transformer manholes in sidewalk areas shall be formed of bearing bars riveted to reticuline bars at 7-in centers and, for grating doors, at 31-in centers.

Table 6-7. Minimum concrete protection, in.

<i>Structure</i>	<i>Field-poured</i>			<i>Precast</i>		
	<i>Bottom</i>	<i>Sides</i>	<i>Top</i>	<i>Bottom</i>	<i>Sides</i>	<i>Top</i>
Roof beams—Manhole	1.0	1.0	1.0	1.0	1.0	1.0
Vault*	2.0	2.0	2.0	2.0	2.0	2.0
Roof slabs—Manhole	1.0	2.0	2.0	1.0	2.0	2.0
Vault*	1.0	2.0	2.0	1.0	2.0	2.0
Floors—Manhole	3.0	2.0	1.0	1.0	2.0	1.0
Vault:* Soil	3.0	2.0	1.0	2.0	2.0	1.0
Rock	3.0	2.0	1.0	—	—	—
Steel	0.75	—	—	—	—	—
Walls—Clear of inside face	—	1.0	—	—	1.0	—
Clear of outside face	—	2.0	—	—	1.0	—

\*Vault includes transformer manhole.

Table 6-8. Loadings for gratings.

<i>Type</i>	<i>Location</i>	<i>Minimum live-load requirement</i>
Roadway	Vehicular way	20,800-lb wheel on 12- × 20-in arc
Heavy-duty	Driveway	Same as for vehicular way
Medium-duty	Sidewalk, nonindustrial	600 lb/ft <sup>2</sup>

## CONSTRUCTION PRACTICES

### Precast Manholes and Vaults

Precast manholes and vaults shall be constructed as follows:

1. Three separate precast parts consisting of a four-wall unit, a floor unit, and a roof unit.
2. Two parts, a lower and an upper part horizontally joined at the centerline of the walls, to be used for manholes only.
3. Precast structures shall be designed for a 4-ft depth of soil cover.

### Field-Poured Manholes and Vaults

Field-poured manholes and vaults shall be designed and constructed as follows:

1. Field-poured roof with vertically reinforced walls.
2. Precast roof with horizontally reinforced walls where size and conditions permit.

### **Other Requirements**

1. Precast and field-constructed transformer manholes located in roadways shall have grating roofs. Transformer manholes located in sidewalks or driveways shall have removable precast roofs incorporating grating sections.
2. Precast or field-poured transformer vaults are to be designed and constructed with partially or entirely removable roofs with an open area sufficient to clear transformer passage.
3. Precast vaults with dimensions exceeding transportation height limitations may be designed with top and bottom wall units for field assembly.

## REINFORCED CONCRETE DESIGN\*

### **General**

Beam design must provide against failure by tension, compression, and diagonal tension. Longitudinal tension reinforcement is always required. Compression reinforcement is sometimes necessary where the dimensions of the member are limited. Reinforcement against diagonal tension, where necessary, is provided by stirrups, bent-up bars, or both. Beam formulas employed here are based on the following assumptions:

1. The concrete provides no tensile resistance in flexure.
2. The concrete is perfectly bonded to the reinforcing steel.
3. There are no initial stresses.

---

\*This section is adapted from L.S. Marks, ed., *Mechanical Engineers' Handbook*, McGraw-Hill, New York.

### Standard Notation-Rectangular Beams

$a$	area of stirrup steel in one plane
$A_s$	area of longitudinal reinforcement
$b$	width of beam
$C$	total compressive stress in concrete
$C'$	total compressive stress in steel
$d$	effective depth of beam, from compression face to centroid of steel
$d'$	distance from compressive face to center of compressive steel
$f_c$	compressive unit stress in concrete
$f_s$	tensile unit stress in steel
$f'_s$	compressive unit stress in steel
$jd$	arm of resisting couple
$kd$	distance from compression face to neutral axis
$M$	resisting moment
$n$	ratio of modulus of elasticity of steel $E_s$ to that of concrete $E_c$
$p$	steel ratio, $A_s/bd$
$p'$	steel ratio for compression steel
$r$	coefficient in formula $M = Rbd^2$
$s$	horizontal spacing of stirrups
$T$	total tensile stress in steel bars
$u$	bond stress per unit area of bar
$v$	shearing unit stress
$V$	total vertical shear
$V'$	vertical shear, in excess of that allowed on unreinforced web
$z$	distance from compression face to resultant of compressive stresses; the resultant of $C$ and $C'$
$\Sigma_0$	sum of perimeters of all longitudinal bars at a section

### Resisting Moments

Referring to Figure 6-15, the resisting moment for tension, in terms of steel stress, is given by:

$$M_s = A_s f_s jd$$

The resisting moment for compression, in terms of concrete stress is given by:

$$M_c = \frac{f_c k j b d^2}{2}$$

For a balanced design:

$$M_s = M_c = Rbd^2$$

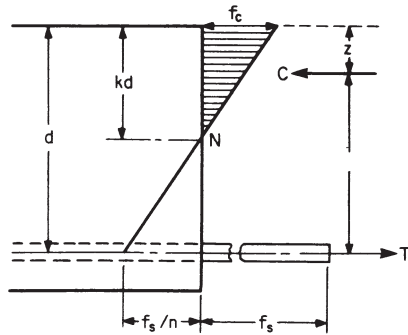
where  $R = f_s p j = \frac{f_c k j}{2}$

$$j = 1 - \frac{k}{3}$$

For fiber stresses:

$$f_s = \frac{M}{A_s j d} = \frac{M}{p j b d^2}$$

$$f_c = \frac{2M}{j k b d^2}$$



**Figure 6-15. Distribution of stress in reinforced concrete beam. (From L.S. Marks, ed., *Mechanical Engineers' Handbook*, McGraw-Hill, New York.)**

For balanced reinforcement:

$$p = \frac{1}{(2f_s/f_c)(f_s/nf_c + 1)}$$

Table 6-9 gives values of the several factors for rectangular beams. For shearing unit stress in a rectangular beam or slab:

$$v = \frac{V}{bjd}$$

For bond stress in a rectangular beam or slab:

$$u = \frac{V}{\Sigma o j d}$$

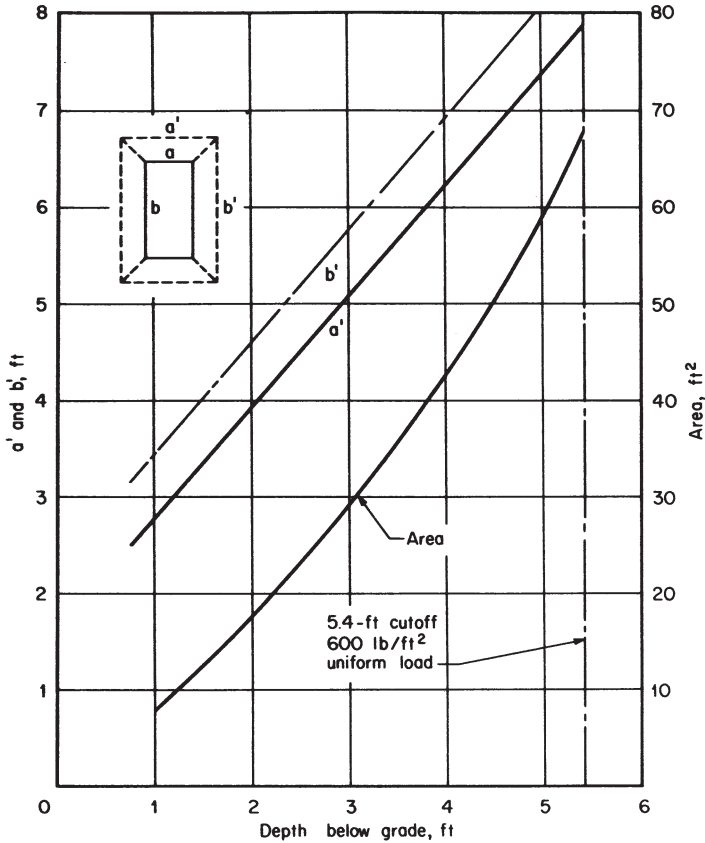
### Stirrups – Web Reinforcement

Where the shearing stress exceeds  $0.02f'_c$  or  $0.03f'_c$  where the reinforcement bars are anchored at the ends, the spacing is given by:

$$s = \frac{af_s j d}{V'}$$



Table 6-9. Design factors for rectangular beams.



This may be multiplied by  $\sqrt{2}$ , or 1.41, where the stirrups are inclined 45°.

**Design Procedure for Rectangular Beams**

1. Determine the appropriate ratio  $b/d$  to be used. This often varies from 2/3 to 1/2, and may be less for very large beams.
2. Determine the area  $bd$  required by the allowable shearing stress  $v$ .
3. From steps 1 and 2, select  $b$  and  $d$ .
4. From the equation for steel fiber stresses  $f_{sr}$ , determine  $A$ , and  $p$ .

From the equation for steel ratio, for balanced reinforcement, determine the value of  $p$ . If the first value of  $p$  is equal to less than the second value of  $p$ , the tensile resisting moment governs and the depth  $d$  is satisfactory. If the first value of  $p$  exceeds the second value, increase  $d$  or provide compression reinforcement.

5. Determine bar sizes to provide the area of longitudinal reinforcement  $A''$  and check to see that the width  $b$  will permit proper bar spacing. Bar spacing should be at least 21 diameters for round bars and 3 times the width for square bars; clear spacing between bars should be at least 1-1/2 times the maximum width of the aggregate particles used.
6. Determine the shear and bond stresses to check that they are within the allowable values for the rectangular beam of the size selected.

#### SAMPLE DESIGN PROBLEM

This problem is meant to demonstrate the methods outlined in the procedure described above; some simplifications have been made for the sake of brevity.

The manhole to be designed is shown in Figure 6-16a, together with the properties of the concrete and steel to be used.

#### Roof Design

For the steel beam design, refer to Figure 6-16. The design span is 4 in + 5 ft + 4 in or 5.67 ft.

#### Load Spread

For the load spread, refer to Figure 6-16c.

$$w_1 = 7 \text{ in} + 12 \text{ in} + 7 \text{ in} = 26 \text{ in}$$

Continue the spread at 45° through the concrete portion of the collar (see Figure 6-16b and the section Design Loading in this chapter);

$$24 \text{ in} - 7 \text{ in} = 17 \text{ in}$$

$$w_2 = 26 \text{ in} + 34 \text{ in} = 60 \text{ in}$$

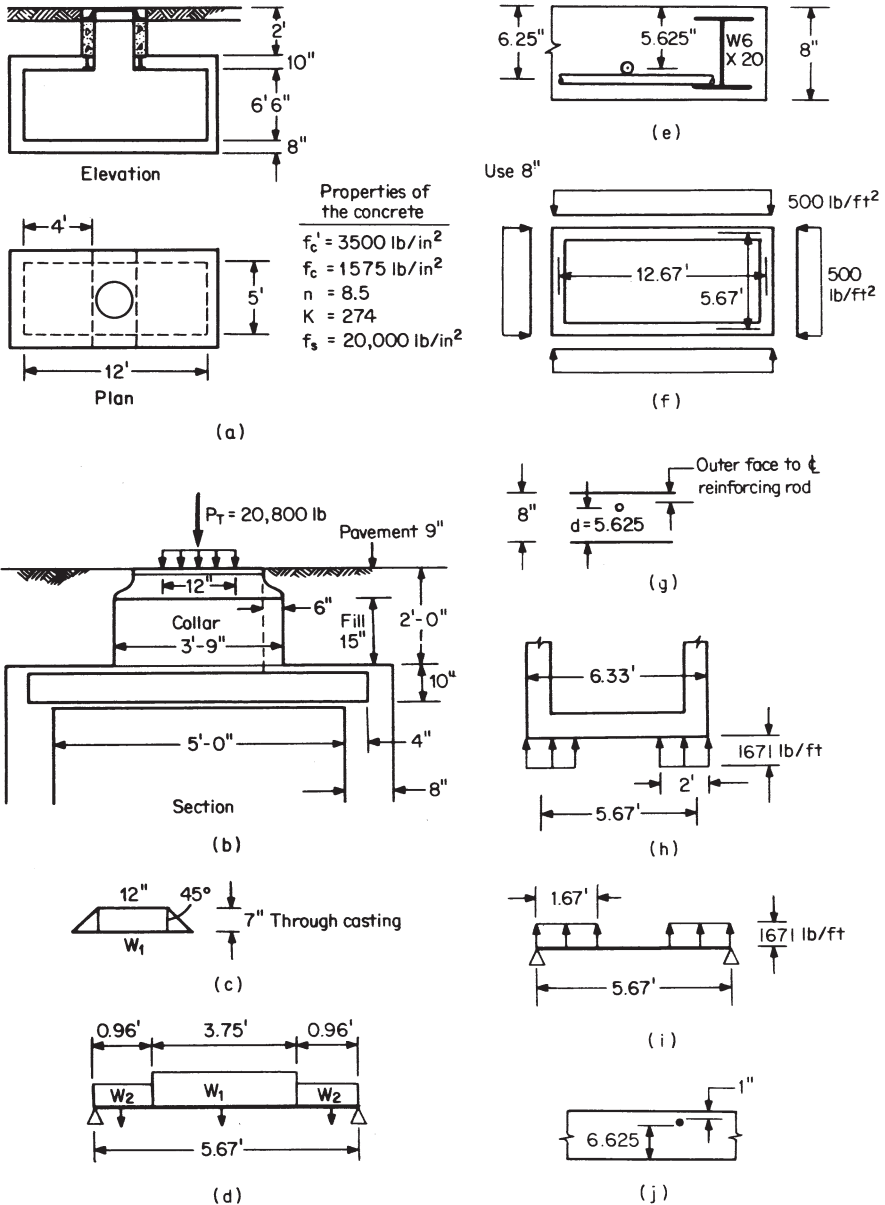


Figure 6-16. Sample design problem. (a) Assumed manhole design and properties of the concrete. (b) Assumed manhole roof design and loading. (c) Diagram showing assumed load spread through casting at top of manhole collar. (d) Design showing dead loads imposed on manhole roof. (e) Assumed roof slab design showing steel beam and reinforcing rods. (f) Approximate wall dimensions and assumed lateral pressures on walls. (g) Assumed reinforcing rod cover for 8-in concrete beam. (h) Assumed manhole floor design and reaction areas. (i) Diagram showing moments acting on manhole floor. (j) Assumed reinforcing requirements for 8-in floor slab. (Courtesy Consolidated Edison Co.)

This dimension is greater than the width of the collar, 45 in. The wheel is therefore reacted over 45 in times the wall thickness of the collar, i.e., 6 in (Figure 6-16b).

#### *Dead Load on Roof, Fill, and Pavement*

Refer to Figure 6-16b and the section Design Loading. The load of the pavement is 9 in (i.e., 0.75 ft)  $\times$  144 lb/ft<sup>3</sup> or 108 lb/ft<sup>2</sup>. The loading of the fill is 15 in times 100 lb/ft<sup>2</sup>, or 125 lb/ft<sup>2</sup>; and that of the roof is 10 in times 150 lb/ft<sup>3</sup>, or 125 lb/ft<sup>2</sup>. The total dead load of roof, fill, and pavement is 358 lb/ft<sup>2</sup>.

#### *Weight Distribution*

The weight distribution of the collar, in pounds per foot, is 17 in  $\times$  6 in  $\times$  150 lb/ft<sup>2</sup>, or 106 lb/ft. Assume four frames and casting weigh 660 lb; then

$$\frac{660 \text{ lb}}{4} = 165 \text{ lb}$$

and

$$\frac{165}{3.75} = 44 \text{ lb/ft}$$

For the pavement,

$$9 \text{ in} \times 6 \text{ in} \times 144 \text{ lb/ft}^3 = 54 \text{ lb/ft}$$

The weight distribution is as shown in Figure 6-16d.

Assume  $w_1$  acts on one-half of the 4-ft-wide slab (one of three slabs). Then the dead load on roof, fill, and pavement is 2 ft  $\times$  358 lb/ft<sup>2</sup>, or 716 lb/ft. To this, add collar, frame, and pavement load of 106 + 44 + 54 = 204 lb/ft, and the wheel load of 20,800 lb/3.75 ft, or 5547 lb/ft. The total is 6467 lb/ft.

Assume that  $w_2$  acts on half the 4-ft slab and the other part of the slab on either side of the steel beams. Then the dead load on roof, fill, and pavement is 4 ft  $\times$  358 lb/ft<sup>2</sup>, or 1432 lb/ft. For the maximum moment on the roof slab (from one end), see Figure 6-16d:

$$1432 \text{ lb} \times (0.96 + 3.75 + 1 \times 0.96) \text{ ft} = 5.19 \times 1432 = 7432 \text{ ft}\cdot\text{lb}$$

$$6467 \text{ lb} \times (0.96 + 1 \times 3.75) \text{ ft} = 2.835 \times 6467 = 18,334 \text{ ft}\cdot\text{lb}$$

$$1432 \text{ lb} \times (1 \times 0.96) \text{ ft} = 0.48 \times 1432 = 687 \text{ ft}\cdot\text{lb}$$

The total moment is 26,453 ft•lb.

From AISC Standard 5-17,  $F_b = 24,000$  in•lb and  $S_{xx} = (26,453 \times 12)/24,000 = 13.2$ , where  $S_{xx}$  (a ratio) is the section modulus about the vertical axis. From the U.S. Steel *Structural Steel Handbook*, use a W6 × 20-in I beam whose  $S_{xx} = 13.4$ .

### Roof Slab

The roof design span (see Figure 6-16b) is 4 in + 5 ft + 4 in = 5.67 ft. From Table 6-4 and the design depth of 2.0 ft, and interpolating, the maximum moment is 5789 ft•lb.

In the two-way slab design (for a 4 × 5-ft slab; see Figure 6-100), the short-long ratio is 4 ft/5 ft, or 0.80 (use clear span). From Table 6-5,  $K_l = 0.295$  and  $K_s = 0.709$ . To determine the design moments, for the short span,

$$M_s = 0.709 \times 5789 = 4104 \text{ ft}\cdot\text{lb}$$

For the long span,

$$M_l = 0.295 \times 5789 = 1708 \text{ ft}\cdot\text{lb}$$

To determine reinforcing, see Figure 6-16e, and check for adequacy. For the short span,

$$d = 6.25 \text{ in}$$

Try a 5/8-in bar with 8-in spacing.

From *Structural Steel Handbook*,  $A_s = 0.47$  in<sup>2</sup>, from which are derived:  $p = 0.0063$ ,  $k = 0.283$ ,  $j = 0.905$ ,  $jd = 5.66$  in, and

$$C = T = \frac{4104 \text{ ft}\cdot\text{lb} \times 12}{5.66 \text{ in}} = 8700 \text{ lb}$$

$$f_s = \frac{M}{A_s jd} = \frac{Cjd}{A_s jd} = \frac{C}{A}$$

$$f_s = \frac{8700 \text{ lb}}{0.47 \text{ in}^2} = 18.511 \text{ lb/in}^2$$

as opposed to the 20,000 lb/in<sup>2</sup> specified. For the 12-in strip,

$$b = 12$$

$$f_c = \frac{2M}{jkb d^2} = \frac{2Cjd}{(jk)(12d^2)} = \frac{C}{6kd}$$

$$f_c = \frac{8700 \text{ lb}}{6 \text{ in} \times 0.283 \times 6.25 \text{ in}} = 820 \text{ lb/in}^2$$

as opposed to the 1575 lb/in<sup>2</sup> specified.

For the long span:

$$d = 6.25 \text{ in} - 0.625 \text{ in} = 5.625 \text{ in}$$

Try a 5/8-in bar with 12 in spacing. From *Structural Steel Handbook*,  $A_s = 0.31 \text{ in}^2$ , from which are derived:  $p = 0.00459$ ,  $k = 0.245$ ,  $j = 0.918$ ,  $jd = 5.16 \text{ in}$ , and

$$C = T = \frac{1708 \text{ ft}\cdot\text{lb} \times 12}{5.16 \text{ in}} = 3972 \text{ lb}$$

$$f_s = \frac{3972 \text{ lb}}{0.31 \text{ in}^2} = 12,812 \text{ lb/in}^2$$

as opposed to the 20,000 lb/in<sup>2</sup> specified.

$$f_s = \frac{3972 \text{ lb}}{6 \times 0.245 \times 6.25 \text{ in}} = 432 \text{ lb/in}^2$$

as opposed to the 1575 lb/in<sup>2</sup> specified.

### Wall Design

Use the rigid-frame method. The procedure is as follows:

1. Obtain the total uniform design load from Figure 6-10.
2. Compute corner moments  $M_c$  by using the following formula, or Figure 6-12:

$$M_c = \frac{(L_1 \times \text{FEM}_1) + (L_2 \times \text{FEM}_2)}{L_1 + L_2}$$

where FEM = fixed end movement for span =  $1/12wL^2$

$L_1$  = long span

$L_2$  = short span

$M_p$  = positive moment for span =  $1/8wL^2 - M_c$

- From the corner moment compute the design moments or use Figures 6-11 and 13.

For the wall depth from street level, see Figure 6-16a:

$$24 \text{ in} + 10 \text{ in} + 78 \text{ in} = 112 \text{ in or } 9.33 \text{ ft}$$

The design depth = 9.33 ft; use 9 ft. From Figure 6-10,  $w = 500 \text{ lb/ft}^2$ .

$$M = 1/12wL_1^2 = 1/12 \times 500 \times 12^2 = 6000 \text{ ft}\cdot\text{lb}$$

$$d = \sqrt{\frac{M}{K}} = \sqrt{\frac{6000}{274}} = 4.67 \text{ in.} \quad (\text{use } 8 \text{ in})$$

$$\text{FEM}_1 = 1/12(500 \text{ lb/ft})(12.67 \text{ ft})^2 = 6688.7 \text{ ft}\cdot\text{lb}$$

$$\text{FEM}_2 = 1/12(500 \text{ lb/ft})(5.67 \text{ ft})^2 = 1339.5 \text{ ft}\cdot\text{lb}$$

Corner moment  $M_c$ :

$$M = \frac{(12.67 \text{ ft} \times 6688.7 \text{ ft}\cdot\text{lb}) + (5.67 \text{ ft} \times 1339.5 \text{ ft}\cdot\text{lb})}{12.67 \text{ ft} + 5.67 \text{ ft}}$$

$$= 5034.9 \text{ ft}\cdot\text{lb}$$

Say 5035 ft·lb. From Figure 6-12,

$$\text{Span ratio} = \frac{12.67 \text{ ft}}{5.67 \text{ ft}} = 2.23$$

$$K_1 = 0.0627$$

$$M_c = 0.0627 \times 500 \text{ lb} \times (12.67)^2 = 5032.6$$

or approximately 5035. The long-span positive moment is:

$$M_p = 1/8wL_1^2 - 5035 = 1/8(500)(12.67)^2 - 5035 = 4998 \text{ ft}\cdot\text{lb}$$

The short-span midspan moment is:

$$M_s = 1/8wL_2^2 - 5035 = 1/8(500)(5.67)^2 - 5035 = -3025.7 \text{ ft}\cdot\text{lb}$$

Reinforcing is required for the corner moment; refer to Figure 6-16g.

A 2-in cover is required on the corner rods. Try a 5/8-in bar with 6-in spacing (because of the 8-in wall);  $d = 5.625$  in.

From *Structural Steel Handbook*,  $A_s = 0.62$  in<sup>2</sup>, from which are derived:  $p = 0.62/(5.625 \times 12) = 0.0092$ ,  $k = 0.40$ ,  $j = 0.87$ ,  $jd = 4.90$  in, and

$$C = T = \frac{5035 \text{ ft}\cdot\text{lb} \times 12}{4.9 \text{ in}} = 12,330 \text{ lb}$$

$$f_s = \frac{19,887 \text{ lb/in}^2}{0.62 \text{ in}^2} = 12,330 \text{ lb}$$

as against the 20,000 lb/in<sup>2</sup> specified.

$$f_s = \frac{12,330 \text{ lb}}{6 \text{ in} \times 0.40 \times 5.625 \text{ in}} = 913 \text{ in}^2$$

as opposed to the 1575 lb/in<sup>2</sup> specified.

### Shear

$$V = 1/2wL_1 = 1/2(500 \text{ lb/ft})(12.67 \text{ ft}) = 3167.5 \text{ lb}$$

$$v = \frac{V}{bjd} = \frac{3167.5}{12 \times 4.90 \text{ in}} = 53.9 \text{ lb/in}^2$$

Allowable  $v = 0.03f'_c = 0.03 \times 3500 \text{ lb/in}^2$  (from the concrete specifications in Figure 6-16a), or 105 lb/in<sup>2</sup>.

### Bond

For a 5/8-in bar with 6-in spacing,  $\Sigma_0 = 3.9$  (the circumference of the rod).

$$u = \frac{V}{\Sigma_0 jd} = \frac{3167.5}{3.9 \times 0.87 \times 5.625} = 1675.9 \text{ lb/in}^2$$



Allowable  $u$  is up to but not in excess of 200 lb/in<sup>2</sup>.

### Floor Design

Calculate the total dead load and live load on the manhole floor:

#### Dead Load

The approximate dead load for the pavement is

$$(5.00 + 1.33) \text{ ft} \times (12.00 + 1.33) \text{ ft} = 84.37 \text{ ft}^2$$

At 108 lb/ft<sup>2</sup>, that comes to 9112 lb. The weight of the fill, 84.37 ft<sup>2</sup> at 125 lb/ft<sup>2</sup>, is 10,547 lb.

The dead load of the manhole is calculated as follows: For the 10-in-thick roof,

$$84.37 \text{ ft}^2 \times 125 \text{ lb/ft}^2 = 10,547 \text{ lb}$$

For the (8-in-wide) long sides,

$$6.5 \text{ ft} \times (12 + 1.33) \text{ ft} \times 2 \times 125 \times 0.8 \text{ lb/ft}^2 = 17,329 \text{ lb}$$

For the short sides,

$$6.5 \text{ ft} \times (5 \text{ ft}) \times 2 \times 125 \times 0.8 \text{ lb/ft}^2 = 6500 \text{ lb}$$

The total manhole dead load without the floor is 34,375 lb. The total dead load is 54,035 lbs.

#### Live Load

The weight of two wheels at 20,800 lb each is 41,600 lb; or 600 lb/ft<sup>2</sup>  $\times$  13.33 ft  $\times$  6.33 ft = 50,627 lb. Use 50,627 lb.

The *total* of live load and dead load is 50,627 + 54,035 = 104,662 lb. The reaction area is assumed to be at 2 ft from the outer edges of the floor slab. See Figure 6-16h, and for weight distribution, Figure 6-16i.

$$\begin{aligned} \text{Area} &= (2 \times 13.33 \text{ ft} \times 2 \text{ ft}) + (2 \times 2.33 \text{ ft} \times 2 \text{ ft}) \\ &= 62.64 \text{ ft}^2 \end{aligned}$$

$$\text{Uniform load} = \frac{104,662 \text{ lb}}{62.64 \text{ ft}^2} = 1671 \text{ lb/ft}^2$$

Design span = 6 ft 4 in - 8 in = 5 ft 8 in or 5.67 ft

The maximum moment (from one end) is the weight times the moment arm:

$$M = 1671 \text{ lb/ft}^2 \times 1.67 \text{ ft} \times \frac{1.67 \text{ ft}}{2} = 2790 \times 0.833 = 2324 \text{ ft}\cdot\text{lb}$$

Reinforcing is required; the floor is assumed to be 8 in thick; refer to Figure 6-16j.

Try a 5/8-in bar with 15-in spacing;  $d = 6.625$  in. From *Structural Steel Handbook*,

$$A_s = 0.25 \text{ in}^2, \text{ from which are derived: } p = \frac{0.25 \text{ in}^2}{6.625 \text{ in} \times 12 \text{ in}} = 0.003,$$

$k = 0.227, j = 0.89, jd = 5.90$  in, and

$$C = T \frac{2324 \text{ ft}\cdot\text{lb} \times 12}{5.90 \text{ in}} = 4727 \text{ lb}$$

$$f_s = \frac{4727 \text{ lb}}{0.25 \text{ in}^2} = 18,909 \text{ lb/in}^2$$

compared with the 20,000 lb/in<sup>2</sup> specified;

$$f_s = \frac{4727 \text{ lb}}{6 \text{ in} \times 0.227 \times 6.625 \text{ in}} = 524 \text{ lb/in}^2$$

compared with the 1575 lb/in<sup>2</sup> specified.

As a check:

$$A_s \text{ (required)} = \frac{4727 \text{ lb}}{20,000 \text{ lb/in}^2} = 0.236 \text{ in}^2$$

Use a 5/8-in bar with 15-in spacing.

For further details, reference should be made to mechanical and civil engineering texts on reinforced concrete design.

## UNDERGROUND RESIDENTIAL DISTRIBUTION (URD)

The development of plastics having high dielectrical and mechanical strengths, and the more widespread use of aluminum conductors, have contributed to economically practical underground systems for application in areas of light load density, including residential areas. The use of such plastics as the protective sheath for cables has also made practical their direct burial in the ground without the need for ducts and manholes. Splicing procedures for such cables are also more simple and less costly. Moreover, the installation of long lengths of cable capable of being plowed directly into the ground or placed in narrow and shallow trenches naturally reduces installation and maintenance costs.

Such designs make the consideration of this type of underground system economically more competitive with overhead systems, often replacing them where new construction is contemplated. Further economies may be realized if other facilities, such as telephone, CATV, gas, and water facilities, are installed simultaneously. With greater emphasis placed on appearance and reliability, studies comparing costs in particular areas and conditions should be made to determine the feasibility of this type of distribution.

### **Cables**

Primary and secondary cables are designed specifically for this type of system. For a single-phase primary supply, the cable is designed with a stranded conductor completely embedded in plastic insulation, which also serves as the protective sheath, and a neutral of bare wire or ribbon wrapped concentrically over a layer of semiconducting Mylar. This one cable is easier to handle than two, and the neutral acts as protection during installation. Electrically, the reduced reactance from this arrangement results in a reduced voltage drop, while the neutral, acting as an electrostatic shield around the cable, tends to distribute the electrostatic stresses in the insulation more uniformly, eliminating sharp peaks that may cause insulation failure.

The neutral conductors are often exposed to electrolytic action and corrosion from stray currents and chemicals in the soil, resulting in voltage fluctuations from corroded neutrals and interference with nearby communication circuits. To prevent this, the entire cable is covered with an insulating jacket of plastic that is impervious to moisture and chemi-

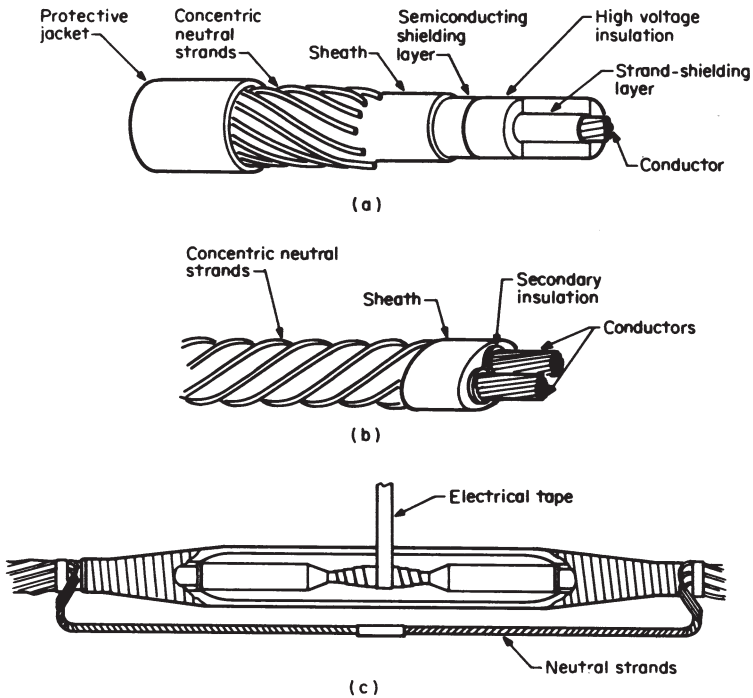


Figure 6-17. (a) Primary concentric neutral underground cable. (b) Secondary concentric twin underground cable. (c) Typical single-conductor-cable splice. (Courtesy Long Island Lighting Co.)

icals; see Figure 6-17a.

Secondary cables likewise may consist of one or more insulated conductors and a neutral wrapped concentrically about them. Like the primary, the entire cable including the neutral may be jacketed for protection from corrosion, or it may have the neutral exposed. Refer to Figure 6-17b.

Both primary and secondary cables have identification marks-colored plastic and metal tags-attached to them.

### Cable Insulation

Cross-linked polyethylene (XLPE) is the material predominantly used for insulation purposes. Other insulating plastics include high-molecular-weight polyethylene (HMWP), also sometimes called high-den-

sity track-resistant polyethylene (HDPE), and ethylene propylene rubber (EPR). The earlier neoprene, polyvinyl chloride (PVC), and polyethylene (PE) cable sheaths have been replaced with the improved plastic materials mentioned. Plastic ducts made of polyvinyl chloride are sometimes installed to carry the cables or as spare ducts to make replacement of such cables easier.

### **Splices**

The procedure for splicing such cables is the same for both primary and secondary cables. The conductors are connected together usually by a copper or an aluminum crimped sleeve. The insulation around the connector is built up by tape made of plastic similar to the cable insulation, wound around the connector to a specified thickness; a preformed insulation placed around the connector may also be used in place of tape. A semiconducting tape, usually of Mylar, is wound over the insulating tape, and another tape, made of the same material as the sheath, is wound over the entire assembly for protection. The concentric neutrals are bundled together to one side and mechanically connected together and bundled with the other conductor splices; they are then covered by a plastic tape to protect them from electrolytic action and corrosion. See Figure 6-17c.

### **Terminal Devices**

The cables may also be connected together through a terminal block containing a number of stud connectors, the entire assembly covered by molded insulation. The conductor is connected to the stud and the insulation and sheath of the cable are taped to the insulation and molded protection of the terminal block. The terminal may also consist of molded load-break elbows and bushings, enabling the conductor to be disconnected safely by means of an insulated hook stick which pulls the stud from the receptacle. In some instances, the molded terminal block may be combined with similar types of terminals of a transformer or switch. These disconnecting devices may be used to rearrange, deenergize, or energize primary circuits and equipment; see Figure 6-18.

### **Risers**

Risers, connecting underground lines to overhead lines, have been described earlier in the discussion of overhead systems.

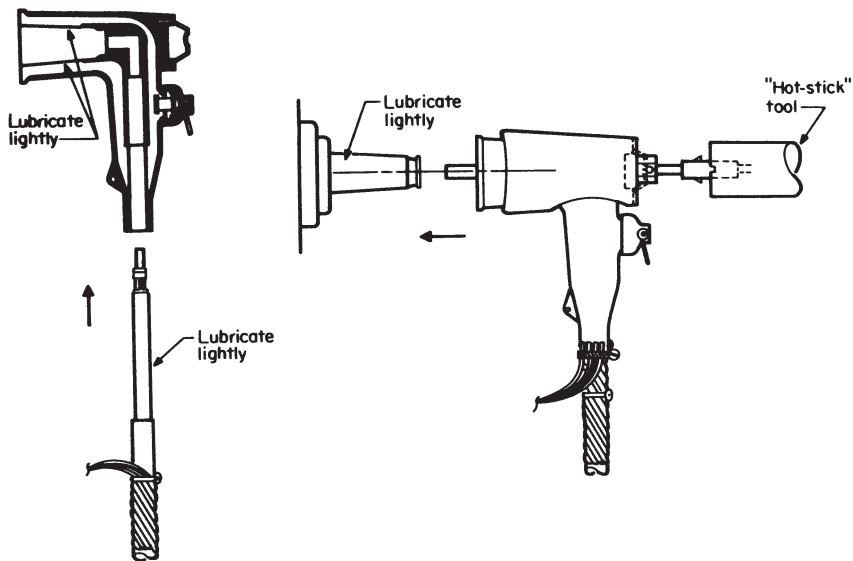


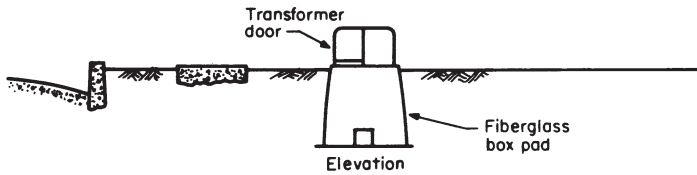
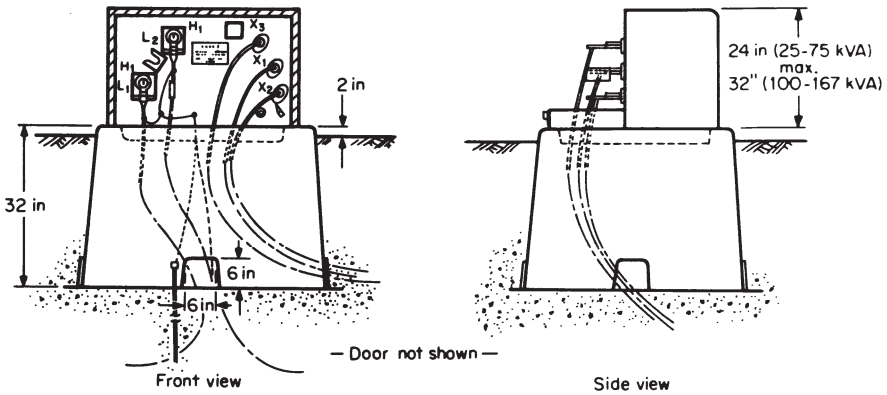
Figure 6-18. Load-break elbow-type cable tap assembly. (Courtesy Long Island Lighting Co.)

### Transformers

Transformers for this type of underground residential system are hermetically sealed against moisture, including their bushings and terminals. The terminals may contain one or more insulated disconnecting elbows, enabling the disconnection of the transformer and the sectionalizing of the primary circuit.

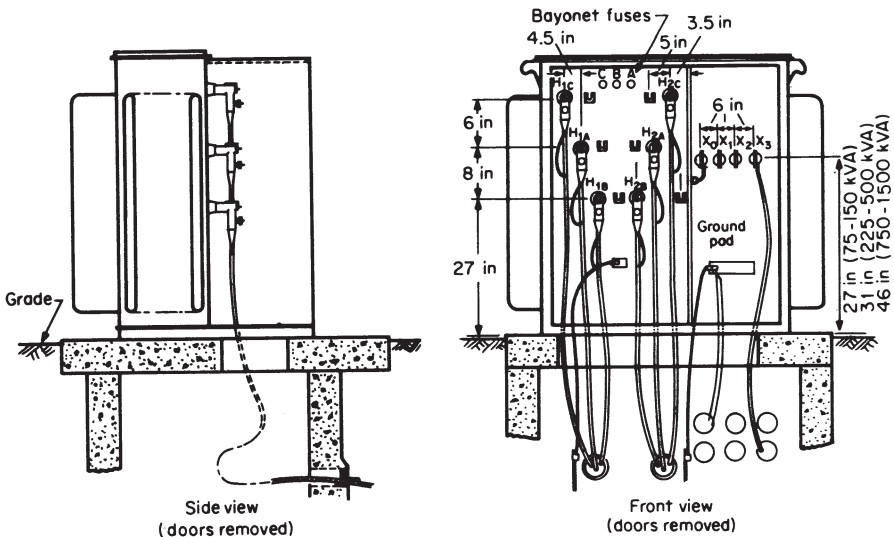
The transformers may be completely buried or installed on ground-level pads or semiburied pads, as shown in Figure 6-19. Some have connections made behind an insulating panel with only the insulated disconnecting elbows protruding so that no energized parts are exposed when the enclosure is opened; these are known as *dead-front* units, in contrast to those in which the energized parts may be exposed when the enclosure is opened.

Transformers may be of the conventional type with associated oil-fuse cutouts or switches, or they may be of the completely self-protected (CSP) type with an internal weak link and secondary circuit breakers; they may also have taps on the primary coil for voltage ratio adjustment.



Location of pad-mount facilities

(a)



(b)

Figure 6-19. URD underground transformer installations: (a) pad-mount transformer; (b) three-phase, 4-kV or 13-kV dead-front metal-clad transformer. (Courtesy Long Island Lighting Co.)

**Corrosion**

Corrosion of metallic parts may take place when they are exposed to chemicals and stray currents in the soil. This is especially critical in the case of neutral conductors and the tanks of transformers and other equipment.

Chemicals may exist naturally in the soil or may find their way there from sources of pollution. These may attack the metallic parts, resulting in the gradual destruction of the metal. Such action may be prevented or slowed by coating the metallic parts with preservative paints or, in the case of neutrals, covering them with an insulating plastic covering.

Stray currents may result from railroad return dc circuits, from galvanic action that takes place between dissimilar metals, especially in wet or damp soils, or from bacteria and other causes. Two or more metallic objects, reasonably close together and immersed in the chemical solutions present in the soil, will have an electric current flow between them. This flow of current causes a flow of ions (molecules carrying an electric charge) from one to the other, a phenomenon known as galvanic action or electrolysis, resulting in metal traveling or flowing from one object and depositing itself on the other object or structure. The direction of this flow will depend on the relative voltages between the two objects, the flow being from the one of higher voltage to that of lower voltage; typical voltages for different materials are shown in Table 6-10.

The amount of corrosion that will occur due to electrolytic action will depend on:

1. The direction of the flow of current
2. The duration of the flow
3. The magnitude of the current flowing
4. The current density in the area over which the current flow takes place
5. The moisture content of the earth with which the objects are in contact
6. The chemical properties of the solutions through which the current flows

The material of a higher-voltage metallic object, such as the steel tank of an underground transformer or other equipment, will be drawn away from it, and in time the corrosion will cause failure. Although an-



Table 6-10. Galvanic series.

<i>Material</i>	<i>Approximate potential with respect to a saturated Cu-CuSO<sub>4</sub> electrode, V*</i>
Commercially pure magnesium	-1.75
Magnesium alloy (6% Al, 3% Zn, 0.1% Mn)	-1.6
Zinc	-1.1
Aluminum alloy (5% Zn)	-1.0
Commercially pure aluminum	-0.8
Cadmium	-0.8
Mild steel (clean and shiny)	-0.5 to -0.8
Mild steel (rusted)	-0.2 to -0.5
Cast iron (not graphitized)	-0.5
Lead	-0.5
Tin	-0.5
Stainless steel, type 304 (active state)	-0.5
Copper, brass, bronze	-0.2
Mild steel (in concrete)	-0.2
Titanium	-0.2
High-silicon cast iron	-0.2
Nickel	+0.1 to -0.25
Monel	-0.15
Silver solder (40% Ag)	-0.1
Stainless steel, type 304 (passive state)	+0.1
Carbon, graphite, coke	+0.3

\*These values are representative of the potentials normally observed in soils and waters which are neither markedly acid nor alkaline.

From *EEl Underground Systems Reference Book*.

ticorrosive and insulating paints are of some usefulness in slowing down the process, they are uncertain in their results. A more positive means is to connect to the steel tank a metal, such as magnesium, that will produce a voltage higher than that produced by the steel tank. This will cause a current, and a flow of material, to flow from it instead of the steel tank. The attached metal, called an anode, will be sacrificed to protect the steel tank. The anodes should be inspected regularly and replaced when necessary.

The rate of penetration of a metal (in inches per year) is roughly inversely proportional to the area from which the current discharge takes place. This assumes the current is constant, i.e., the rate of corrosion varies directly with the intensity of current discharge. Theoretical rates of corrosion for some metals are given in Table 6-11.

If dissimilar metals are used, good design favors coupling a large

**Table 6-11. Typical rates of metallic corrosion.**

<i>Anode metal</i>	<i>Density, lb/in<sup>3</sup></i>	<i>Penetration (in/yr) caused by discharge of 1 mA/in<sup>2</sup></i>
Magnesium	0.063	0.139
Zinc	0.258	0.091
Aluminum	0.098	0.065
Steel	0.284	0.071
Lead	0.409	0.182
Copper	0.323	0.142

From *EEl Underground Systems Reference Book*.

anode with a small cathode (the receiving metallic object), rather than the reverse. When using coatings to prevent galvanic action caused by dissimilar metals, it is usually preferable to coat the cathode rather than the anode.

DESIGN OF DIRECT-BURIED ELECTRICAL DISTRIBUTION SYSTEMS\*

**General**

The procedure described here covers the design of direct-buried electrical distribution systems to supply service to new residential development areas consisting of five or more new single-family homes. Similar procedures have been prepared for multiple-dwelling development areas and for commercial and industrial development areas.

**Assumptions**

1. The homes to be supplied are situated on individual building lots fronting on residential streets.
2. No electrical distribution system exists within the development.
3. Only single-phase 120/240 V service is required by the consumers.

---

\*Adapted from Long Island Lighting Co. design standards. Other voltages are in use in other areas of the country, but this procedure may serve as a guide.

4. A 4-kV or 13-kV primary system exists near the development area.

### **Basic Design Considerations**

#### *Radial Design*

The radial design is usually more economical than the loop design and is permitted (but not mandatory) in any case where loop design is not indicated for any of the reasons specified below.

#### *Loop Design*

Loop design shall be used in all cases where any of the following conditions apply:

1. The existing (external) primary distribution system, to which the development area system will be interconnected, is underground.
2. The area requires more than two transformers, or a total transformer capacity rating exceeding 150 kVA.
3. Two transformers are, or will be, needed that will be spaced not more than 1200 ft apart.

#### *Radial and Loop Designs*

Both designs apply where any of the following conditions are to be met:

1. The character of the land area adjoining the development area, or any other factor, indicates a potential future need for further extension of the new underground system.
2. For both designs, if the existing primary distribution line is an overhead system remote from the perimeter of the development area, an overhead line extension shall be constructed to approach the perimeter.
3. The selection of existing primary lines to be used in supplying the new system shall be made with the usual consideration of physical availability, adequacy of load capability, the desired allocation of new loads among existing circuits and substations, primary circuit voltage drop, etc., consistent with long-range development plans for the area primary system.

4. When the existing distribution is 4 kV, consideration should be given to the possibility of conversion to 13 kV prior to initial operation of the new system, which would avert the need for transformers to operate initially at 4 kV.
5. All primary system conductors shall be insulated with cross-linked polyethylene (XLPE), the insulation rated at 15 or 24 kV.
6. Riser pole locations shall be selected with due consideration to accessibility to personnel and vehicles for operating purposes. Locations prone to vehicular accidents or tree damage shall be avoided.
7. The trench routes for installation of the primary cable shall be run parallel to the curb line or roadway edge and may be located either in the roadway or in the area behind the curb. Installation in the roadway is usually preferred because of least construction cost and probable least cost for future operation and maintenance, but extenuating circumstances may sometimes justify installations behind the curb.
8. In choosing the transformer locations, care shall be taken to avoid conflicts with driveways, trees, fire hydrants, storm drains, etc.
9. Transformer load estimates and kVA ratings shall be selected in accordance with Tables 6-12 and 6-13 and Figure 6-20; see Appendix 6A.

## **Radial System Design**

### *Riser Interconnection*

The new radial primary system shall originate at a riser interconnection to the existing primary system at a single-phase riser. This interconnection shall include a fused cutout to provide an overhead sectionalizing point to protect the overhead system from underground system faults.

### *Primary Conductors*

1. The standard size for all radial system primary conductors shall be no. 2 aluminum.

2. The primary cable run shall be extended to the transformer nearest the riser pole. It shall be interconnected to that transformer by means of a load-break elbow terminator. The transformer shall be either a pad-mount (PM) type or a below-grade, semiburied (SB) type.
3. The location of the riser cable termination facility—the transformer or the load-break elbow-type cable tap assembly (LET A)—shall be selected so as to avoid existing or foreseeable obstacles to inspection, operation, and maintenance of the terminal equipment. Locations subject to soil erosion, flooding, collection of debris, obstruction by vehicles, etc., shall be avoided.
4. If the distance from the riser to transformer exceeds 1200 ft, a load-break cable tap assembly (LBCT A) shall be installed to limit the riser cable run and the distance between the LBCT A itself and the nearest transformer each to 1200 ft or less. (The 1200-ft limit is based on the length of cable available for on-the-ground installation between two switch points in emergencies.) Primary cable from this point is then extended to the first transformer, which shall be of the PM or SB type.

### **Loop System Design**

#### *Switch Points*

1. Loop design provides two underground radial primary lines, each originating at a different interconnection to the external primary system, and routed to meet at a common normally open switchable tie point within the development area. This switch point and other (normally closed) switch points on the loop configuration formed by the pair of radial lines are provided by means of LBCT A-type terminations installed at the primary terminals of all SB- or PM-type transformer installations. These switch points, and switching devices at the interconnections to the external system, allow switching operations on the loop system whereby any one transformer, or a section of primary cable between switch points, can be isolated while all other parts of the loop are able to be maintained energized from one or the other of the two loop sources.
2. In all loop systems, a sufficient number of switch points must be provided to limit the distance between any pair of switch points associated with the same cable section to 1200 ft or less. Where the

required locations for loop interconnections (e.g., risers) and transformers of the PM or SB type are spaced too far apart to comply with this requirement, the LET A or LBCT A installations are used at intermediate locations to reduce the spacing of switch points to within the 1200 ft limit.

3. The switch point selected to be maintained normally open shall be located so as to divide the total loop load into two approximately equal parts.

#### *Conductor Sizes*

Standard conductor sizes for primary loop system cables shall be no. 2 and no. 1/0 aluminum. The choice between these two sizes will depend upon the area dimensions and load density. This choice shall be determined by the use of a primary conductor selection chart and procedure; refer to Figure 6-21a and b and Appendix 6A. The selection chart is designed to indicate the choice of conductor required to limit voltage drop on either segment of the loop to 1.5 V or less (on a 120-V base) under peak load conditions. The chart allows for a moderate imbalance in the sharing of load between the two sections and in the lengths of sections. It limits the no. 2 aluminum to cases in which the total loop load current will not exceed 150 A when the loop is operated in a contingency mode, i.e., with all load supplied from one end of the loop (tie point closed). No. 1/0 aluminum is permitted by the chart to carry load up to 200 A in the contingency operation mode. Use of the chart also indicates when neither conductor size is adequate for supplying the area load with a single-loop system, in which case alternative layouts, employing two or more loops, must be tried.

#### *Multiple-loop Systems*

1. Load density and load distribution in some areas may require the installation of two-, three-, or more loop systems in the same trench route; loads (transformers) shall be allocated as evenly as practical among the loop systems to maintain load balance.
2. Only pad-mount (PM) or semiburied (SB) transformers shall be installed along the trench routes occupied by multiple-loop systems; direct-buried units shall not be installed. (This is to facilitate connection of the 1200-ft emergency cable.)

3. The 1200-ft limit between switch points is satisfied when each switch point is located not more than 1200 ft from another switch point on the same loop or on another loop in the same trench route.

#### *Interconnections to External Systems*

Whenever the external primary system is underground, consideration should be given regarding the facilities to be used (existing or required) for interconnections of the loop system.

1. Equipment to be used will generally be pad-mounted switch gear having in- and-out gang-operated three-phase switches rated for 600-A interruption duty. These are to provide main line sectionalizing points. They also provide for one, or two, three-phase sets of single-phase, fusible tap connections, rated for 200-A duty, which can be used as interconnection points for one or more loop systems.
2. A loop system interconnected to an underground external system shall not have more than one of its two terminals located in the same pad-mount facility.
3. Fuses used at these interconnections shall be selected in accordance with a predetermined schedule.
4. Rules governing the pairing of loop terminations with external source circuits and phases, where pad-mount-type interconnections are employed, are similar to those that apply where riser installations are used, as described in items 5, 7, 9, and 10.
5. When the external primary system is overhead, loop system interconnections shall be made via riser installations. The pair of risers required for each loop system shall be such that the two risers are installed on different poles.
6. Both interconnections must be of the same operating voltage class, i.e., 4 kV or 13 kV, and both must be interconnected to the same phase of the same primary circuit, or the same phase of two primary circuits supplied from the same substation, or the same phase of two primary circuits supplied from different substations supplied

at the same transmission voltage, attention being paid to the phase relationships.

7. In areas requiring more than one loop system, terminals of more than one loop may be located on the same riser pole, either in separate riser conduits, or in the same conduit (e.g., a three-phase riser may be used for the riser cable runs of three different loops). However, as previously indicated, no one loop may have both terminals installed on the same pole.
8. Each loop interconnection shall be individually fused using a cutout fused in accordance with a predetermined schedule.
9. The riser cable run from each terminal of each loop system shall be extended to the first loop switch point as described for radial system design. No tee splices shall be installed in a riser cable run.
10. To facilitate future operation and maintenance, riser cable runs from the same or different loops should be routed to minimize confusion in locating each line. Crossovers of these cables should be avoided if possible.

#### *Radial Lateral Extensions from Loop Systems*

Where the main route of a loop system intersects a side street (or a cul-de-sac, etc.) in which transformers are required, it may be economical to avoid routing the loop into and out of the side street by installing a tee splice in the main run and extending a radial lateral line from the splice to the required location, subject to the following conditions:

1. Such extensions shall not be made to serve more than two transformers, nor a total transformer capacity rating exceeding 150 kVA.
2. The first transformer location on the extension must be within 1200 ft or less, measured along the most direct street route, from at least one of the two switch points that bound the loop section.
3. The radial line shall not be extended to a second transformer location if that location is more than 1200 ft from the first transformer



(i.e., if the second transformer cannot be otherwise supplied, the loop systems must be extended into the side street).

4. The first transformer on a radial lateral line shall be of the switchable type appropriate to the area (PM or SB).
5. If a second transformer is required and permitted, the second unit shall be either a pad-mount (PM) unit in areas where PMs are used as switch points, or a direct-buried unit where below-grade units are used.

### **Transformer Installations**

Transformers used in residential developments may be of two general types: pad-mount (PM), or a below-grade type, either semiburied (SB) or direct-buried (DB).

1. The PM type, designed for installation at grade, is contained within a metal enclosure that provides access to primary and secondary terminal compartments. The unit is mounted on a below-grade box-pad, and primary cable connections are of the load-break elbow terminator type.
2. In SB installations, primary cable connections are of the load-break elbow terminator type. Two primary terminal bushings are available, permitting the unit to be connected to either one or both of the primary loop sections adjoining the unit. To enable use of these connections as loop system switch points, SB installations employ a vertical cylindrical steel enclosure, with a removable cover placed level with grade, which provides access to the elbow terminators.
3. In DB installations, primary cable connections are made using dead make-dead break type terminators, and these are completely buried (no enclosure provided). Direct-buried units must be deenergized, and reexcavation is required, whenever it is necessary to disconnect these units from the primary cable system after initial installation.
4. Transformers capable of operation at both 4 kV and 13 kV should

be installed where such conversion appears probable. Since operation of the voltage selection mechanism to change from one voltage level to the other requires physical access to the transformer, no DB units are to incorporate this feature.

5. All transformer primary terminals not connected to primary cables shall be provided with insulating caps.
6. Below-grade transformers shall be installed between the curb line and the front property line, near the intersection of the front property line with a common side property line of the two adjoining lots.
7. Pad-mounted transformers shall be installed within a 10- by 10-ft easement behind the front property line and adjacent to the common side property line between two adjoining lots.

## **Secondary System Design**

### *Splice Boxes*

A secondary splice box shall be used at each below-grade-type transformer to house the connections between the transformer secondary leads and the secondary main conductors or service conductors. A removable cover allows for future access to the connections.

### *Main and Service Conductor System*

1. Secondary main cables are those which supply two or more consumers. Cables supplying only one consumer are classified as service cables. Cables shall be either of the following:
  - a. Three-single-conductor no. 1/0 aluminum triplex 600-V (with no. 2 neutral)
  - b. Three-single-conductor no. 3/0 aluminum triplex 600-V (with no. 1/0 neutral)
2. Allowable limits for voltage drop and voltage dips on motor starts are the same as for overhead systems.
3. Subject to the voltage limits indicated, the preferred arrangements for secondary systems are those that result in the least cost for trenching, cable installation, and splicing, and with due regard for

avoidance of conditions that would impede future operation and maintenance of the conductor systems.

4. For economy reasons, cable runs should use a common trench for road crossings and in connecting to meters located on private property.
5. Consideration should be given to secondary main and service runs on private property to consumers not ready to receive service at the time of initial construction. In all cases, the entrance onto private property shall be made at a point on the front property line not more than 5 ft away from the intersection with the side property line. Front-to-rear trenching on private property shall be extended in a line parallel to the side property line for the distance required to reach the point(s) opposite the meter locations.
6. At those locations that are not ready to receive service, trenching and cables shall be terminated just short of the front property line. This trenching will be extended onto private property when the premises become ready to receive service. The cables are left disconnected at their splice box terminations or at the secondary terminals of PM units.
7. When meter location(s) are ready to receive service, trenching and installation of cables shall be completed in their entirety, including those portions between the front-to-rear trench run and the meter location(s). These cables are energized by making appropriate connections at their splice box or secondary compartment terminations.
8. At locations where only one of a pair of meter locations sharing a common side property line will be initially ready to receive service, the objective should be to minimize reexcavation of areas previously trenched. To accomplish this, the trench required initially should also have installed within it those cables that will be needed later. In general, it is more economical to provide an extra length of coiled cable at the end of a trench run than to plan for the installation of a splice. The choice will depend upon the comparative cost of these alternatives considering the physical dimensions involved. In any case, buried cable ends or splices shall be moisture-proofed.

## APPENDIX 6A

### Technical Reference Data

This appendix contains the reference materials that are referred to in the preceding procedure. The data are common to the associated procedures for this type of service to multiple-dwelling development areas and to commercial and industrial development areas. The reference data are presented in Tables 6-12 and 6-13 and in Figures 6-20 and 6-21.

#### USE OF LOAD-ESTIMATING CURVES FOR RESIDENTIAL LOADS INCLUDING ELECTRIC SPACE HEATING

For URD areas supplying residential consumers with electric space heating, the selection of transformer ratings shall be based upon house service load estimates obtained from the curves in Figure 6-20. These curves indicate the load conditions that can exist after a long power outage during cold weather. These loads exceed normal levels because, after an outage, heating equipment operates at maximum capacity continuously until normal indoor temperatures are restored. The curves also allow for the demand of some other appliances, such as water heaters and refrigerators, which are also likely to resume operation coincidentally and to continue to operate for longer periods than normal.

To use the curves, it is necessary to know the approximate square footage of all rooms in the house that are used on a regular basis daily (i.e., the main living area), such as bedrooms, living room, dining room, bathrooms, and family room. Where additional heating capacity is provided for areas that are used only occasionally (the supplemental areas), such as garage, basement, and enclosed patio, the total square footage data are then used as illustrated in Example 6-1.

Table 6-12. Load estimating guide coincident transformer load, kVA.

Living area per home, ft <sup>2</sup>	Season	Number of homes per transformer									
		1	2	3	4	5	6	7	8	9	10
<b>Load condition 1: All-electric dwellings including electric space heating and central air conditioning</b>											
1200	Winter	12	23	34	44	53	63	72	82	91	100
	Summer	7	12	16	19	22	25	28	30	33	36
1200–1700	Winter	17	32	46	60	73	87	99	112	125	138
	Summer	9	15	20	25	28	32	36	39	43	47
1700–2200	Winter	21	40	59	77	94	110	126	143	159	175
	Summer	11	18	24	30	34	39	43	47	52	56
2200–2700	Winter	26	49	71	93	114	134	153	173	193	213
	Summer	12	21	28	34	40	45	50	55	60	65
2700–3200	Winter	30	58	84	109	134	157	181	204	227	250
	Summer	14	24	33	39	46	51	57	63	69	75
3200–3700	Winter	35	66	97	126	154	181	207	234	261	288
	Summer	16	27	37	44	51	57	64	71	77	84

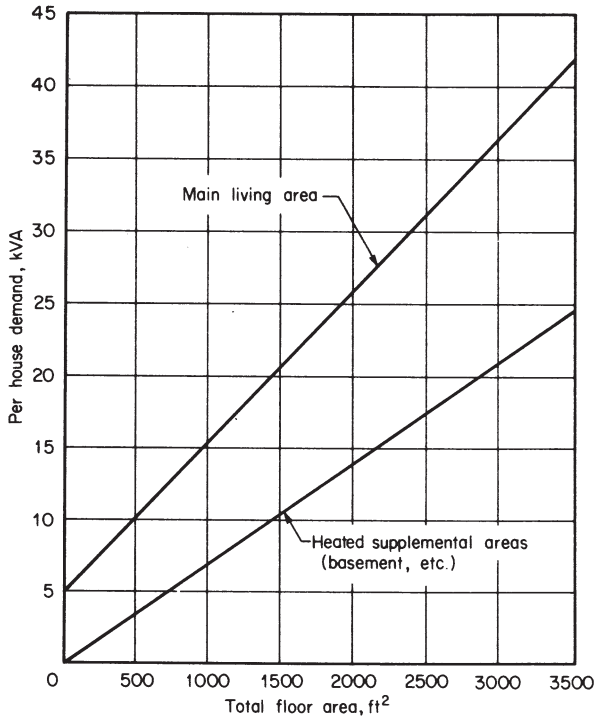


Figure 6-20. Load-estimating curves for residential loads including electric space heating; see Example 6-1. (Courtesy Long Island Lighting Co.)

Table 6-12. Load estimating guide coincident transformer load, kVA (Continued).

Living area per home, ft <sup>2</sup>	Season	Number of homes per transformer									
		1	2	3	4	5	6	7	8	9	10
<b>Load condition 2: Electric base load plus central air conditioning</b>											
1200	Winter	2	3	5	6	7	8	9	10	11	12
	Summer	3	6	9	11	14	17	19	22	25	28
1200–1700	Winter	2	3	5	6	7	8	9	10	11	12
	Summer	3	6	9	11	13	15	17	19	21	22
1700–2200	Winter	2	3	5	6	7	8	9	10	11	12
	Summer	4	8	12	15	18	21	24	27	29	31
2200–2700	Winter	2	3	5	6	7	8	9	10	11	12
	Summer	5	10	15	19	23	26	29	32	35	38
2700–3200	Winter	2	3	5	6	7	8	9	10	11	12
	Summer	7	14	20	25	30	35	39	44	47	51
3200–3700	Winter	2	3	5	6	7	8	9	10	11	12
	Summer	8	16	24	30	36	41	46	50	54	57
<b>Load condition 3: Base load plus central air conditioning plus electric range</b>											
1200	Winter	4	8	10	11	12	14	16	17	18	19
	Summer	6	8	11	13	15	18	20	23	26	28
1200–1700	Winter	5	9	12	14	16	18	20	21	23	25
	Summer	7	11	15	18	21	24	26	29	31	34
1700–2200	Winter	5	9	12	14	16	18	20	21	23	25
	Summer	8	14	18	22	26	30	33	36	39	42
2200–2700	Winter	5	9	12	14	16	18	20	21	23	25
	Summer	9	15	21	26	30	35	39	42	46	49
2700–3200	Winter	5	9	12	14	16	18	20	21	23	25
	Summer	11	19	26	33	39	44	49	54	59	64
3200–3700	Winter	5	9	12	14	16	18	20	21	23	25
	Summer	12	21	29	36	42	48	53	58	63	69

1. Load values indicated in Table 6-12 and Fig. 6-20 allow for load growth, including addition of central air conditioning, if not initially present. Central air conditioning capacity ratings per dwelling are assumed as follows:

Living area, ft <sup>2</sup>	Capacity, Btu/h
1700	15,000
1700–2199	20,000
2200–2699	30,000
Over 2699	50,000

2. To match estimated transformer loads obtained from Table 6-12 and Fig. 6-20 to transformer capacity rating required, refer to Table 6-13.

*Note:* Group coincident loads indicated by this table shall be used only for estimating summer season transformer loading and transformer secondary voltage drop. Selection of transformer ratings for supplying homes with electric space heating shall be based on loadings obtained from Fig. 6-20.

Courtesy Long Island Lighting Co.

**EXAMPLE 6-1**

Find the load that must be supplied for two houses, each of which has a main living area of 2000 ft<sup>2</sup> and heated supplemental areas totaling 1000 ft<sup>2</sup>.

*Solution*

The demand for each house resulting from the main living area load is obtained by entering the chart at the 2000-ft<sup>2</sup> point on the horizontal axis scale and projecting upward to the intersection with the "main living area" line, and projecting a horizontal line from this intersection to the scale at the left (read 26.25 kVA). The supplemental area load is obtained in a similar manner using the supplemental area line intersection (read 7.00 kVA).

Total load per house is 26.25 + 7.00 kVA, or 33.25 kVA. For the two houses, the total load on the transformer will be 2 × 33.25 kVA, or 66.5 kVA.

This result is used in Table 6-13 to select the required capacity rating of the transformer to supply the two houses.

**Table 6-13. Transformer rating selection chart.**

<i>For estimated load, kVA*</i>		
<i>Winter</i>	<i>Summer</i>	<i>Select rating, kVA**</i>
<b>A. For below-grade transformers</b>		
0–35	0–28	25
35–52	28–42	37½
52–70	42–55	50
70–105	55–86	75
105–140	86–110	100
<b>B. For pad-mount transformers</b>		
0–23	0–23	25
23–50	23–50	37½
50–110	50–80	50
110–135	80–120	75
135–180	120–160	100
180–370	160–270	167

\*Load as estimated from Table 6-12 or from Fig. 6-20 (for electric space heating).

\*\*If different ratings are called for by winter and summer estimated loads, install the larger rating.

Courtesy Long Island Lighting Co.

## USE OF THE URD-LOOP PRIMARY CONDUCTOR SIZE-SELECTOR CHART

1. Layout a tentative URD loop to serve the URD area. Defer the choice of transformer locations and required ratings.
2. Determine the total length of the proposed loop.
3. Determine the normal peak demand (kVA) for the total number of consumers to be supplied from the proposed loop. Refer to the group load-estimating guides in Table 6-12.

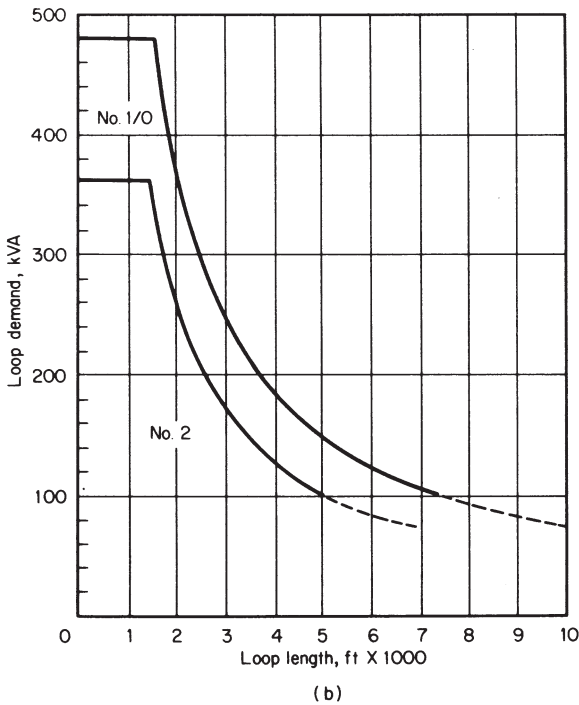
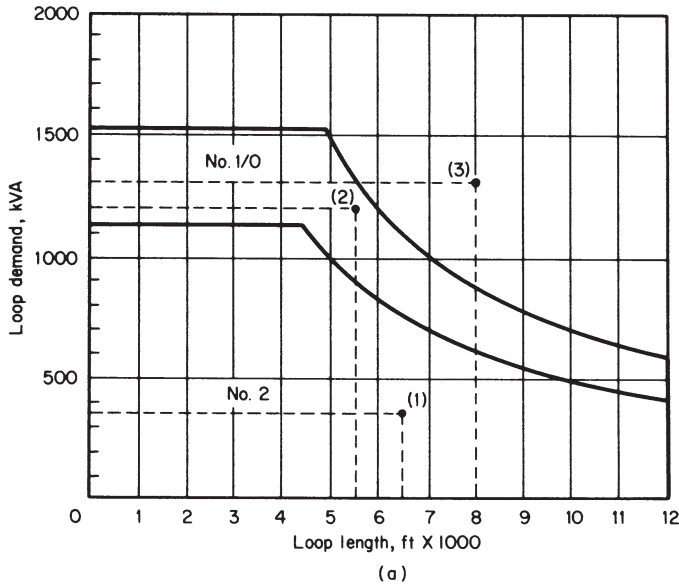


Figure 6-21. URD loop primary conductor size selection chart. (a) For 13-kV systems. For (1), (2), and (3), see Example 6.2. (b) For 4-kV systems. (Courtesy Long Island Lighting Co.)



4. Enter the chart at the bottom axis at a point corresponding to the total length determined in step 2 and project a vertical line upward from this point (to the length in thousands of feet).
5. Enter the chart at the left-hand axis at a point corresponding to the kVA demand determined in step 3 and extend a horizontal line to the right to the point of intersection with the vertical line drawn in step 4.
6.
  - a. If the intersection falls within the zone labeled no. 2, select no. 2 aluminum as the primary conductor and design the loop as proposed in step 1.
  - b. If the intersection falls within the no. 1/0 zone, select no. 1/0 aluminum conductor and design the loop as proposed in step 1.
  - c. If the intersection point does not fall within either the no. 2 or the no. 1/0 zone, the loop layout proposed in step I cannot be used. Try another layout dividing the area load between the two loops, then repeat steps 1 to 6 for each loop. Depending on the total area load and size, it may be necessary to repeat this procedure using three loops, etc., until the number of loops is adequate to supply the area load level.

---

**EXAMPLE 6-2 Refer to Fig. 6-21a.**

1. The loop length is 6500 ft, and the total loop demand is 350 kVA. The intersection point falls in the no. 2 zone. The loop may be designed as proposed, using no. 2 aluminum.
2. The loop length is 5500 ft, and total loop demand is 1200 kVA. The intersection point falls in the no. 1/0 zone. The loop may be designed as proposed, using no. 1/0 aluminum.
3. The loop length is 8000 ft, and total loop demand is 1300 kVA. The intersection point falls outside the no. 2 and no. 1/0 zones. Redesign the layout for two loops, dividing the area load between the two loops. (In this example, assume the subsequent layout consists of two loops as follows:

Loop a-6500 ft, 800 kVA

Loop D-7500 ft, 500 kVA

The proposed loops are both acceptable designs, using no. 2 aluminum.)

---

## Chapter 7

# Distribution Substations

The design of a distribution system is affected by the location and design of its supply substation. Indeed, the distribution substation is an integral part of the electrical distribution system.

### SITE SELECTION

The availability of land, annual costs, taxes, zoning laws, and environmental and public relations considerations are some of the factors that determine the ultimate location.

The number and locations of the substations may affect the voltage selected for the primary distribution system. The fewer and farther apart the substations, the higher the primary voltage selected and the larger the loads supplied. Also, the length of distribution feeders (and the distance of consumers from the substation) and the number of consumers supplied from a feeder are reflected in the size of conductors, voltage-regulation measures, and, equally important, the losses that may be incurred. Hence, the study of the most economical design of a distribution system must include substation and transmission supply costs as well as the effect, primary voltage on feeders, transformers, equipment, and methods of maintenance and operation.

In addition to the factors cited, other considerations should be taken into account in choosing a site for a substation:

1. It should be located as near as practical to the centers of the loads to be served; the summation of the loads (which are assumed to be concentrated at some points) multiplied by their distances from the proposed substation site should be at a minimum.
2. It should be possible to supply the loads without undue voltage regulation and with available standard equipment.

3. Access for incoming transmission lines and outgoing distribution feeders should be available with a minimum of inconvenience, and should allow for future expansion of such facilities.
4. A shutdown of the substation should not affect an undue number of consumers; the substation location in relation to other, adjacent substations, both present and future, should permit ties to them in event of emergency.

## GENERAL DESIGN FEATURES

Since the substation is the link between the transmission and distribution systems, its continuous and uninterrupted operation is of prime importance. For this reason, multiple incoming supply feeders are provided, relays are installed to operate switches and circuit breakers automatically to disconnect faulted feeders and equipment, and spare equipment may be provided for rapid restoration of service in the event of failure.

### **Equipment Installation**

#### *Arrangement*

Equipment may be connected in various arrangements by means of buses, switches, and circuit breakers as described in Chapter 4. The arrangements are usually such as to insure safety to workers and reliability of operation, the usual arrangement in many substations permitting work on almost any piece of equipment without interruption to the incoming or outgoing feeders. The choice of arrangement is based on economics and the degree of reliability desired; see Figure 7-1.

### **Insulation Coordination (BIL)**

The feature of coordination of insulation, associated with the reliability of the substation, has been detailed in Chapter 4. The impulse values of the insulation of transformers, circuit breakers, switches, lightning or surge arresters, regulators, bus supports, and other elements are chosen at different levels, determined from a minimum basic insulation level (BIL), usually based on the minimum line-to-ground voltage rating of the surge arresters. Such design assures that potential failures of insulation from overvoltages can be made to occur at the least destructive and most accessible points, where they can be readily found and repairs or replacement of damaged equipment can be made.



## Coordination of Protective Devices

The coordination of protective devices, both within the same substation and with devices on the associated transmission and distribution feeders, has been discussed in Chapter 4. Such coordination is essential to ensure that the operation of a particular device does not unnecessarily deenergize remaining unfaulted portions of the distribution system.

## Protection Control

### *Instrument Transformers*

The circuit breakers that serve to deenergize equipment require two sources of power for their proper operation: that which actuates the relays, and that which causes the mechanical operation of the equipment to take place.

The relays receive their actuating power (usually) from instrument transformers which measure the electrical quantities associated with the circuits or equipment they are to protect. These include current transformers, with a standard secondary current rating of 5 A, and, where a voltage input is required, potential transformers, with a standard secondary voltage rating of 120 V.

### *Auxiliary Circuits*

While the instrument transformers furnish the power that actuates the protective relays, a separate source of auxiliary power is provided to operate the trip coils, solenoids, and motors that may be involved. This separate source of power must be as reliable as practical.

In substations in which the power supply bus is sectionalized into two or more parts, transformers supplying station power may be connected to two sections separated from each other, with the transformer supplying the auxiliaries connected to one section and the equipment connected to the other. In other instances, the station transformer may be equipped with a throwover switch, operated manually or automatically, in order to improve the reliability of the supply of auxiliary power.

Where reliability must be of the highest order, storage batteries, "floating" on the line, connected to an ac supply through rectifiers, are also installed to complement other power sources; here, the auxiliary circuit is a dc one.

In almost every instance, one or more of the distribution feeders supplied by the substation are so arranged in the field as to permit them to be energized from adjacent feeders emanating from a different substa-

tion. Should the entire substation become deenergized, such feeders may be utilized to reenergize the station power supply, enabling the circuit breakers and other equipment to be operated electrically. Where the substations involved are fed from different transmission or generating sources, care should be taken to avoid the interconnection of transmission and generating sources through the substation buses.

As a further precaution, control and auxiliary wiring systems are ungrounded and are provided with ground-detecting devices that actuate a light or alarm indicating the presence of a fault on the circuit involved.

The auxiliary power supply may also supply some emergency station lighting.

## **Bus Design**

### *Electrical Considerations*

The design of buses in a substation must take into account not only the current-carrying requirements under both normal and short-circuit conditions, but also voltage drops, power losses, and temperature rises (usually a maximum of 30°C above a 40°C ambient). The current-carrying ability of buses, especially for the higher-capacity and higher-voltage circuits, must also take into account the skin effect of the ac flowing through them. Also, where buses are very closely situated (between phases or between circuits), a proximity effect must also be considered which may further distort the distribution of the current flowing in the conductor and may affect the current-carrying ability of the bus.

Voltage drops must also take into account the reactance of the buses, including the self-reactance of the buses themselves (which may be affected by their shapes and composition) as well as the mutual reactance from adjacent buses.

The enclosure of buses, for fire or mechanical protection, may lower the current rating, since the heat generated by the  $I^2R$  losses is not as freely dissipated. Further, if the enclosures are metallic, or cause the buses to be spaced farther apart, reactance values may be changed, in turn affecting the voltage drop in the buses. Where individual-phase buses are separately enclosed, no part of the enclosure or any phase may form a loop of conductive material, since such a loop would form a short-circuited turn and would overheat under normal and fault-current flow in the bus.

### *Mechanical Considerations*

Buses are usually made of copper or aluminum. Their cross-sectional shapes may include flat bars (single, or several in parallel), tubing, channels, or hollow squares. Sections may be joined together by means of bolts or clamps, or may be brazed or welded together; at intervals, however, expansion-type joints are employed to take care of the expansion and contraction due to load cycles.

The buses must also take into account the forces set up by short-circuit or fault currents that may flow through them (or in adjacent buses), as well as the voltage surges that may result from switching or lightning. The shape of the bus may provide sufficient rigidity and strength. They must also be supported on insulators capable of meeting both the electrical and mechanical requirements. Bus supports specified, therefore, usually include a fairly large safety factor, between 2 and 4.

Current transformers that are connected in these circuits must also withstand both the electrical and mechanical forces imposed on them.

### **Substation Electrical Grounds**

Grounding at a substation is of the greatest importance. Because of the strong alternating magnetic fields set up by the heavy short-circuit currents that may flow in the several elements, voltages of appreciable values may be induced in the metallic structural members, in the equipment tanks and their supporting frames, in metal conduits for power and communication circuits, in metal fences, etc. All of these must be grounded, preferably to a common ground. The ground connections of the surge arresters, as well as the neutral conductors of the feeders, both incoming and outgoing, and of the grounded wye-connected transformers (if any), should also be connected to the common ground.

Draining of the induced voltages to ground prevents dangerously high voltage rises from forming, especially in the vicinity of the substation during fault conditions.

Grounds may consist of a multitude of metal rods driven into the ground at frequent locations and connected together, or of a mesh buried (usually) beneath the substation. The number, spacing, size, and depth of burial of the conductors making up the mesh will depend on the nature of the soil and the ground resistance desired. Both rods and mesh may be installed and connected together.

## SUBSTATION CONSTRUCTION

Distribution substations may be constructed entirely indoors, entirely outdoors, or in a combination of the two ways.

### **Indoor**

In purely indoor construction, all the equipment is completely enclosed within a structure, protected from the weather. Measures are taken to ensure that the failure of a piece of equipment does not spread and involve other units. Reinforced concrete fire- and explosion-resistant walls or barriers are installed between major pieces of equipment, such as transformers, circuit breakers, and regulators. Sumps are usually provided beneath oil-filled equipment and connected to waste lines where they exist. The sumps should be of ample size to contain all of the oil in the equipment should its failure result in an oil spill. Control equipment, switchboards, batteries (if any), and other communication facilities may be located in separate fireproof compartments.

Automatic fire-extinguishing systems may be installed to smother any oil fire that may ensue; foam, carbon dioxide, a high-pressure fine spray of water, and other materials may be specified.

Ventilation may be by natural circulation of air, or by means of fans that may operate at peak load periods or when the internal ambient temperature exceeds a predetermined value.

In general, the rating and capacity of the equipment, particularly transformers and circuit breakers, may be lower than for similar units installed outdoors. On the other hand, the units need not provide for inclement weather conditions (e.g., bushings may have shorter creepage distances, tanks need not be watertight, etc.).

Provision, in the form of rails, rollers, or other devices, is made to permit the replacement of the several pieces of equipment. Space around each unit is provided to permit safe access for the maintenance, repair, or replacement of the unit.

The architecture of the exterior should blend with the surroundings, as should the associated landscaping, lawns, or other environmental prerequisites. Incoming and outgoing feeders are installed underground, out of sight.

### **Outdoor**

Outdoor substations have all of the equipment located outdoors within a securely fenced off area. Here, too, provisions are made for



the maintenance, repair, and replacement of the pieces of equipment. Sumps may be constructed beneath a unit, in the form of dikes or pits containing coarse gravel or crushed stone, of a sufficient volume to hold possible oil spillage from the unit. Depending on the availability of land and the spacing between units, fire walls between major units may be found desirable.

Transformers, circuit breakers, and other outdoor equipment are designed to operate in all kinds of weather. Tanks are usually hermetically sealed or are equipped with "breathing" devices; bushings and insulators have creepage paths sufficiently long to prevent flashover. Control facilities may be located in sealed compartments either associated with each unit or grouped together in an outdoor-type housing. Small strip heaters may be required to keep condensation from forming in the compartments.

The location of the outdoor substation may present serious environmental problems. These include appearance; sometimes extensive and expensive landscaping is required to conceal the substation partially or entirely from neighboring observers. Another source of objection may be the sound emanating from the transformers; sound barriers then have to be erected around those units to deflect or mitigate the sound emissions in a particular direction.

### **Combination Indoor and Outdoor**

In the combined indoor and outdoor arrangement, the major units, usually the transformers only (with their associated surge arresters), but sometimes circuit breakers also, are located outdoors, and the remaining equipment is housed in a building of some kind. The requirements already outlined should be followed in connection with each portion of the substation. Such substations are located in areas where appearances may not be a major consideration and some equipment, sometimes concealed by landscaping, may be found acceptable.

### **Unit Substations**

Unit substations are small, self-contained, metal-clad units, usually installed in residential areas where larger sites are unobtainable. They are usually well landscaped, and their incoming and outgoing feeders are placed underground. Primary feeders from one unit substation extend to meet those from other, adjacent unit substations so that, when one unit substation is out of service, its load can be picked up by the

feeders from the adjacent unit substations. Each unit substation, therefore, must be designed with spare capacity to enable this transfer of load to be made during contingency conditions.

### **Mobile Substations**

Mobile substations, which may be considered portable outdoor-type substations, have been discussed in Chapter 4. Provisions are generally made at the several types of substations to permit a mobile substation to be connected to pick up all or part of the load should a substation be out of service for a prolonged period of time.

### **Operation**

When an operator is in attendance, the speed and smoothness of restoration of service at times of interruption very often depend on the efficient performance of the operator.

Unattended substations may be designed in which some or all of the equipment is to function automatically. They may be operated by remote control from other substations, or from a central dispatching point, or they may be serviced by a "roving" or multistation operator. Automatic stations may, in many instances, shorten the time of interruption occurring from temporary abnormal conditions.

## **ONE-LINE DIAGRAMS OF CONNECTIONS**

The connection of apparatus in a substation is usually drawn in the form of a "one-line diagram" for convenience and simplicity. Inasmuch as all the phase connections in a polyphase system are alike, it is only necessary to show the connections for one phase to indicate the simultaneous operation (as nearly as practical) of all the phases.

There are two types of one-line diagrams. The first, usually referred to as an operating diagram, merely indicates all the major equipment and connections, with such pertinent information as will enable the engineer, field supervisor, and operator to call for and complete the desired switching.

The second type is an elaboration of the first and includes additional information, such as fusing, relaying, and location and rating of instrument transformers and other auxiliary equipment. Such a diagram lends itself to rapid analysis in the event of improper operation of equipment. See Figure 7-2

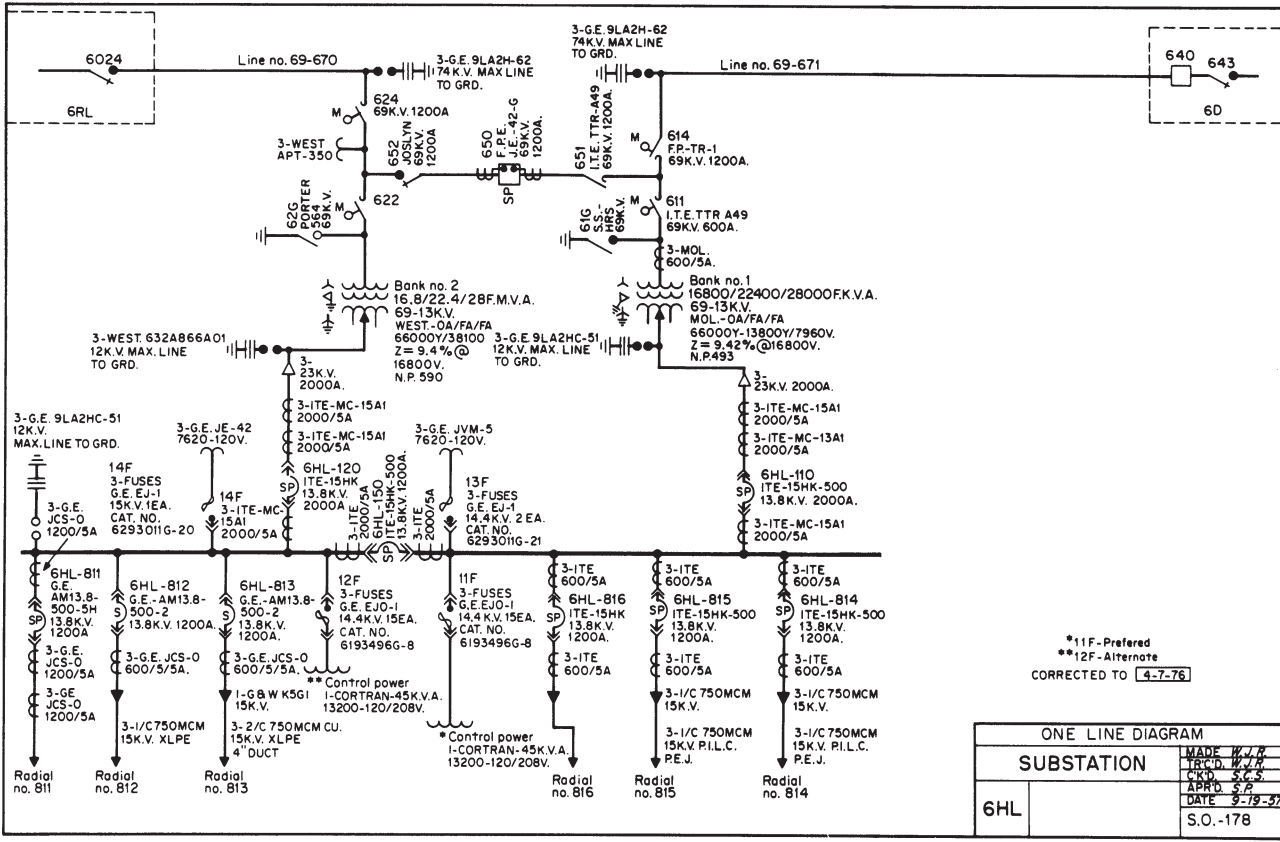


Figure 7-2. Typical substation one-line diagram. (Courtesy Long Island Lighting Co.)

## Chapter 8

# Metering

### SCOPE

There are two broad classes of metering that interest the distribution engineer: that used to operate or monitor the several elements of the distribution system, and that mainly used for revenue purposes. With the advent of the digital computer (used for billing, among other applications), the latter may also be employed in furthering the purposes of the first class of metering. Further, the development of microelectronic technology has made possible operations of the electric system heretofore thought impractical if not impossible.

The principle of operation of most meters is that of the interaction of two (or more) magnetic fields tending to produce rotation of one of the elements. They may, however, be thought of as small but accurate motors, with their rotation restrained by springs or other magnetic fields.

Basic electric meters include the ammeter for measuring current in amperes, the voltmeter for measuring electrical pressure in volts, and the wattmeter for measuring power in watts. The ammeter operates on the interaction of a magnetic field, set up by the current to be measured, with the field of a permanent magnet. The voltmeter is essentially an ammeter connected in series with a fixed resistance. A wattmeter is a combination of both the ammeter and voltmeter elements.

### OPERATION-MONITORING METERS

#### **Applications**

Ammeters are used for measuring loads on substation transformers, distribution feeders and transformers, secondary mains, and services. Voltmeters are used for measuring bus voltages at substations, both on the supply side of power transformers and on outgoing distribution feeders and regulators, at distribution transformers, secondary terminals, and

consumer services. In a modified form they serve as control relays for voltage regulators. Both kinds of meters are also used in the setting and maintenance of protective relays and in determining the volt-ampere loads on equipment. Wattmeters measure the power input and output at substations, and at other points where such measurements are desirable.

The three basic meters used in association with each other can determine the power factor of circuits and loads; the three elements may be combined in one instrument to read power factor directly. Likewise, resistance, reactance, and impedance measurements may be obtained from the ammeters and voltmeters used in association with each other, or in one instrument that is made to read such quantities directly.

### **Extending Ranges**

The range of these meters may be extended by means of auxiliary equipment. Ammeters for dc measurements may use a shunt calibrated so that only a predetermined proportion of the current flowing through it is measured by the ammeter; for ac measurements, a current transformer of a predetermined ratio achieves the same results. A voltmeter for dc measurements may use a potentiometer calibrated so that a predetermined proportion of the voltage across the entire potentiometer coil is measured by the meter; for ac measurements, a potential transformer of a predetermined ratio achieves the same results. Shunts and potentiometers are used to extend the range of dc wattmeters, and current and potential transformers are used to extend that of ac wattmeters.

### **Types**

These meters may be of the indicating type or of the recording type; they may also be of the portable or of the station or switchboard type. Indicating ammeters may also be constructed to retain maximum values of current readings; they are sometimes referred to as maximeters.

In ac systems, separate current and voltage measurements are made for each phase of a polyphase circuit, but power and volt-ampere measurements for the sum of all of the phases may be made with one polyphase meter, or may be made using two or more single-phase wattmeters.

### **Polyphase Power Measurements**

Power in a polyphase circuit may be measured by connecting a separate wattmeter in each of the phases and algebraically adding the values obtained. Equal accuracy, however, may be obtained by using

one less wattmeter, the remaining ones being properly connected among the phases of the polyphase circuit. This is known as Blondel's theorem for the measurement of power in a polyphase system of any number of wires without regard to any unbalance of currents and voltages that may exist among the phases.

#### *Blondel's Theorem*

The theorem may be stated as follows: In any system of  $N$  wires, the true power may be measured by connecting a wattmeter in each line but one ( $N - 1$  wattmeters), the current coil being connected in series in the line and the potential coil being connected between that line and the line that has no current coil connected in it; the total power is the algebraic sum of all the readings of the wattmeters so connected.

According to the theorem, then, the total power in a three-phase three-wire circuit, either wye- or delta-connected, may be measured by two wattmeters; a three-phase four-wire circuit would require three wattmeters.

If the power factor of the circuit falls below approximately 50 percent, it is likely that the reading of one of the wattmeters may be negative, and it may be necessary to reverse the terminals of the current or potential coil; this change should be noted in connection with any later measurement when the power factor may be greater than 50 percent.

## REVENUE METERING

Metering for revenue purposes, in itself, is not the responsibility of the distribution engineer, but the data accumulated by meters so used can serve in optimizing the planning and design as well as the operation of distribution systems. The same computer that translates meter readings into consumers' bills can also be programmed to make selective summaries of such data, simultaneously converting such consumption data into loads and demands on the several elements of the distribution system. The grid coordinate system of mapping is extremely useful in such instances; it is described in Appendix C at the end of this book.

Meters for revenue purposes measure energy in kilowatt-hours and power demand in kilowatts. Although constructed differently, they are connected in circuits in the same manner as wattmeters, and have both current and potential coils.

**Watt-hour Meters**

The watt-hour meter is essentially a small motor whose rotor, usually a metallic disk, is caused to turn by the torque produced by the reaction of the magnetic fields set up by the current and voltage coils with a magnetic field of the disk resulting from the eddy currents set up in it by those magnetic fields. Its speed of rotation can be made to be proportional to the power flowing in the coils of the meter; a magnetic brake regulates this speed to obtain the desired accuracy. A register which counts the revolutions of the disk acts to integrate the instantaneous values of power over a period of time; the integral is the expression for energy.

Watt-hour meters may be single-phase or polyphase, although the single-phase units constitute the greatest number in use, measuring the energy consumption of residential consumers.

**Transformer Load Monitoring**

The consumptions of each of the consumers supplied from one distribution transformer can be totaled to obtain the energy supplied through that transformer over the billing period of time, usually approximately a month. Factors can be applied to this total to convert it into an approximate demand in kWh or kVA. In this manner, the loading of that transformer can be monitored. The computer which compiles the consumers' bills for that period of days can be programmed to perform this function. Conversion factors are obtained and kept current by sample testing of small groups of representative consumers.

Similarly, the consumption supplied from each distribution transformer can be summarized for the transformers on each phase of an entire feeder or portions of that feeder. Carrying it a step further, these consumptions can be summarized for all the feeders on a substation bus or on the supply transformers. These values can also be converted to approximate kilowatt demands on the several elements of the distribution system. Comparison of the sum of the individual consumptions on a feeder to such readings on the feeder at the substation (making correction for differences in the time of the readings, if any) can give a rough indication of actual losses on the feeder.

The computer can be programmed to produce periodic readouts of these data together with average demands per consumer, and to identify distribution transformers and other elements that exceed values predetermined to indicate overloads and potential sources of troubles.

The distribution engineer is thus able to initiate actions not only to prevent inconveniences to consumers, but also to avert damage or destruction of equipment and other facilities that could cause long and costly interruptions affecting the safety and well-being of the public. Moreover, the updated values of consumer demands and circuit loadings enable the engineer to do a more effective and economical job of planning and design of the electric distribution system.

### **Power Factor Correction**

For some larger (usually industrial) consumers, the reactive kVA load is also measured in kVA-hours (by shifting the voltage  $90^\circ$  by means of reactors) along with kilowatt-hour consumption. By properly interrelating these quantities for the period of time covered, a value of average power factor of the consumer's load is obtained. With rate schedules tailored to reflect rewards (or penalties) for power factor, the installation of power factor-corrective measures at the consumer's expense is encouraged; these may be banks of capacitors, synchronous motors, or both. Such power factor improvement enables the distribution engineer to design more economical distribution systems affecting costs to all consumers.

### **Demand Meters**

The measurement of maximum demand for a consumer may be obtained by adding another dial and set of gears to the registers of the watt-hour meters. Kilowatt demands for consumer billing purposes are obtained basically by measuring the kilowatt-hour consumption over a 15-min period, multiplying this by 4 to obtain an hourly demand. In some instances, a period of 30 or 60 min is used and the multiplier adjusted accordingly. This is accomplished essentially by a "floating" hand that is pushed by the watt-hour element that returns to zero every period, after which the action is repeated.

At the billing period, the meter reader reads this floating hand and returns it to zero, eliminating any record of that demand reading. Another system does the same thing, but records the demand on a separate register, the actuating element returning to zero every period; the action is repeated, but the demand value is added to the previous reading. At the billing period, the reader reads the second register, which has "accumulated" the maximum demands, and resets the actuating element to zero. The maximum demand for the period is the difference between



the last reading and the previous one on the demand register; hence, a record of the maximum demands for each billing period is maintained.

### Demand Control

Rate schedules are designed to encourage the consumer to arrange the operation of loads so as to hold down maximum demand.

Many of the relatively smaller consumers arrange the operation of major pieces of equipment on a predetermined schedule in an effort to hold down their overall maximum demand, usually concentrating on reducing or eliminating short-term peaks.

In large industrial and commercial installations, the demand is continuously monitored by the consumer using impulses generated by the utility's demand meter (impulses that trigger the demand meter's 15-min periodic return to zero). These impulses are fed into the computer that supervises the operation of the consumer's equipment; in some programs, actual shedding of less critical loads within the billing (15-min) interval is done so as not to exceed a predetermined value; see Figure 8-1.

In general, the goal is to improve the consumer's load factor, and the first step usually is to obtain the consumer's load profile. If the profile shows only a few 15-min intervals where sharp peaks occur, it is a relatively easy matter to identify the equipment causing those demand peaks and take remedial measures. In most cases, however, a more detailed approach is followed to determine what, if any, demands can be

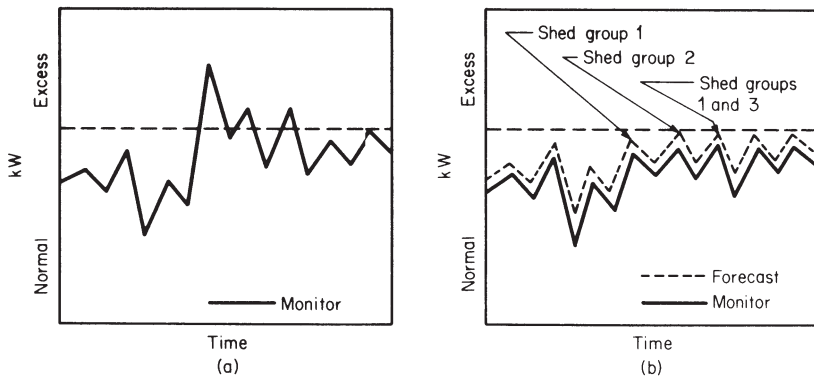


Figure 8-1. Continuously monitored demand control (a) without demand limit and (b) with demand limit. (Courtesy Johnson Controls, Inc.)

reduced or eliminated. This generally calls for classifying the consumer's major loads into four categories: those which (1) can be rescheduled, (2) can be deferred, (3) can be curtailed or eliminated, and (4) are essential base loads.

Often, this control of consumers' demands is a cooperative effort between the consumers and the utility's distribution engineer. Success of such efforts is beneficial to both the consumer and the utility. While this may reduce the consumer's demand payments and reduce the utility's revenue, the loss in revenue is almost always overshadowed by the utility's reduced carrying charges from the improved usage of fewer facilities and reduced energy costs from the reduction in losses that accompany the reduction of peaks. The reduction of these costs is of increasing concern to the distribution engineer.

## WIRING DIAGRAMS

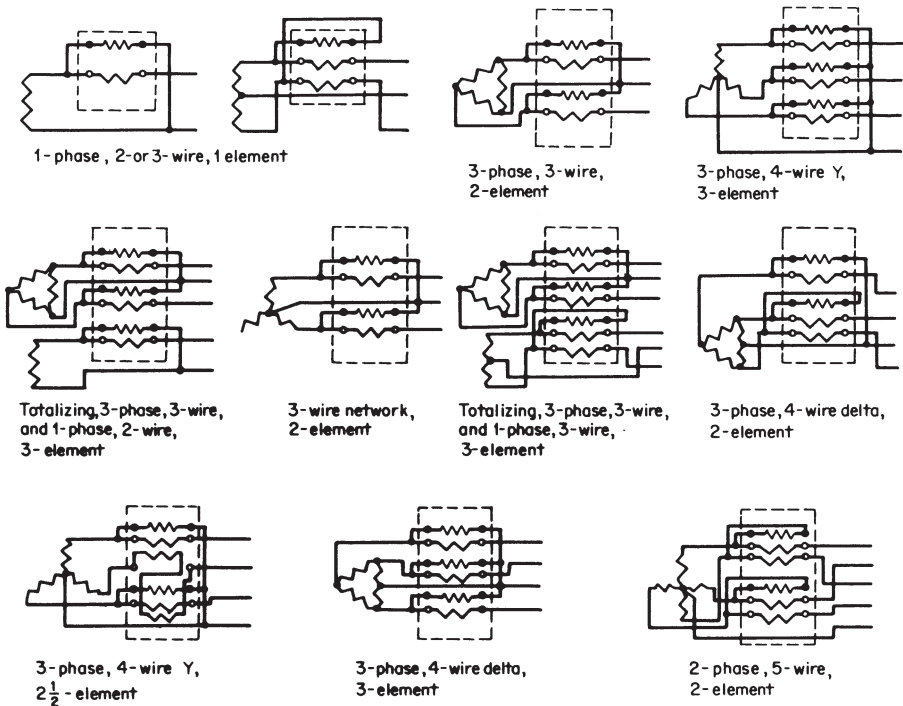
Wiring diagrams for the various meter connections for different types of distribution systems are shown in Figure 8-2.

## ELECTRONIC METERING

The development of so-called microelectronic processing (including solid-state) techniques is making the kilowatt-hour meter more than just a device for billing purposes; it also provides another tool for use by the distribution engineer and operator. By adding memory and other circuitry to the register of the meter, its functions can be expanded to provide additional data valuable to the distribution engineer. Further, microprocessors can be programmed to process the data and execute predetermined commands. This last feature can be extended to control individual consumer loads in order to restrict consumers' demands and, collectively, reduce the peak demands on the several elements of the electrical system all the way back to the generators. Incidentally, such systems facilitate the remote reading of consumers' meters and instantaneous billing, long the goal of the accounting departments.

### **Data Procurement**

Data that can be obtained from the meter and its electronically



**Figure 8-2** Schematic diagrams of meter applications for different types of distribution systems. (Courtesy Westinghouse Electric Co.)

enhanced register can include real and reactive power consumption and demands, peak and average demands, power factors, and such other items as the power factor at peak demands of both kW and kVA. Also, calendar information such as time, day, month, and year can be included, and different seasonal, holiday, leap year, and other complex rate schedules can be stored; when such data are employed at predetermined times and conditions, the price in effect and the rate-of-usage information can be readily obtained.

### Operating Functions

By coupling this electronic metering with its sophisticated registers to a communications network (microwave, radio, telephone, carrier, or combinations of these), control of consumers' loads (with prearranged and contractual assent) by the utility operator becomes practical. Such

control is directed primarily at restricting demands on the several parts of the *entire* electrical system, starting with elements of the distribution system. Not only is it possible to reduce capital outlays (and related annual carrying charges) for additional facilities, but it is also possible to reduce operating (e.g., fuel) expenses through the reduction of losses in the transmission and distribution systems and in the amount of spinning reserve generation required.

There are several methods which may be used to shift or reduce electrical demands. One simple and “minimum” system limits a consumer’s maximum demand during peak periods from a signal actuated by the utility operator. The metering circuit monitors the load automatically with a signal light at the meter and an alarm of some kind on the consumer’s premises. Exceeding the limit (after actuating by the operator) triggers the alarm and starts a programmable time delay of (say) 14 min (of the 15-min demand cycle), allowing the consumer time to reduce the demand before service is interrupted; see Figure 8-3. A second time delay prevents appliance damage to loads such as air-conditioning compressors, when service is restored.

### TRANSDUCERS

In many instances, it is desirable to measure nonelectrical quantities, and this may be done by converting them into electrical quantities,

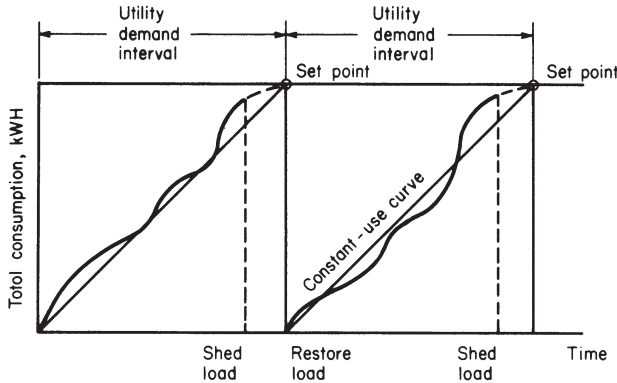


Figure 8-3. Last-moment method of demand control.

which are then metered or measured in the usual manner. This is accomplished by a class of devices generally called *transducers*. Thermocouples, photocells, and microphones are examples of devices which convert heat, light, or sound into electrical quantities; when these quantities exceed predetermined limits, they act to control the equipment with which they are associated. Other devices convert pressure or pressure differences into variations of electrical quantities, which again serve to actuate or control the equipment with which they may be associated.

Transducers may also be applied to convert electrical quantities into nonelectrical quantities.

**Part Three**

**Materials  
and Equipment**

*This page intentionally left blank*

## Chapter 9

# Conductors

### INTRODUCTION

Conductors, as carriers of the electrical energy, are perhaps the most important element of an electric circuit; often they are called wires, and the terms are used interchangeably. They may be installed overhead as bare, covered, or insulated conductors; and, in cable form, they may be installed underground in ducts or buried directly in the ground. Cables are also sometimes installed in trays in substation or industrial installations where immediate access to them is of relatively great importance.

Since a failure of a conductor results in a complete interruption to a circuit, it is imperative that the causes of such failure be minimized. The failure may occur from mechanical causes where the stresses and strains imposed are simply too great and the conductors literally tear apart. More often, however, the cause may initially be an electrical failure which then affects the conductors mechanically. Overloads or short-circuit currents, for example, may cause heating of the conductors to the point where they begin to liquefy (or melt) and ordinary mechanical stresses can no longer be sustained and the conductors pull apart, perhaps vaporizing in the process.

### MATERIALS

It is evident, therefore, that both the mechanical and electrical characteristics must be considered in the choice of conductors. In addition, the all-important element of cost limits the number of economically available materials suited for conductors. A brief discussion will highlight the properties of those most commonly used: copper; aluminum; aluminum conductor, steel-reinforced (ACSR); steel; and copper-clad steel. The chief characteristics of these conductor materials are compared in Table 9-1.



Table 9-1. Characteristics of conductor materials (commercial grades).

<i>Material</i>	<i>Conductivity, % (pure Cu = 100%)</i>	<i>Weight</i>		<i>Ultimate strength, lb/in<sup>2</sup> (× 1000)</i>	<i>Elastic limit, lb/in<sup>2</sup> (× 1000)</i>	<i>Modulus of elasticity (× 10<sup>6</sup>)</i>	<i>Temperature coefficient of linear expansion per degree (× 10<sup>-6</sup>)</i>	
		<i>lb/in<sup>3</sup></i>	<i>lb/1000 ft per 1000 cmil</i>				<i>°C</i>	<i>°F</i>
Copper—SD	99–100	0.320	3.027	36 to 40	18 to 20	12	17.1	9.5
MHD	98.5–99.5	0.320	3.027	42 to 60	23 to 33	14	17.1	9.5
HD	97–99	0.320	3.027	49 to 67	30 to 35	16	17.1	9.5
Aluminum, plain	61	0.0967	0.920	23 to 27	14 to 16	9	23.0	12.8
Aluminum, steel-reinforced	61	0.147	1.390	44	31	—	19.1	10.6
Steel	8.7	0.283	2.671	45 to 189	23 to 112	29	11.9	6.6
Copper-clad steel—30%	29.25	0.298	2.810	60 to 100	—	16 to 20	13.0	7.2
40%	39	0.298	2.810	60 to 100	—	16 to 20	13.0	7.2

To convert to metric system:

$$\text{lb/in}^3 \times 0.0277 = \text{kg/cm}^3$$

$$\text{lb/1000 ft} \times 0.1488 = \text{kg/km}$$

$$\text{lb/in}^2 \times 0.0703 = \text{kg/cm}^2$$

Courtesy The Anaconda Co., Wire and Cable Div.

## Copper

For many years, copper has been the most satisfactory conductor for electrical purposes. Its electrical and mechanical properties, coupled with comparative cost benefits, made it almost exclusively used universally.

Its conductivity is high, surpassed only by that of silver and some other rare metals; indeed, its conductivity is used as a reference for that of other materials.

### *Degrees of Hardness*

Although basically soft enough to be handled easily, copper can be increased in strength through annealing processes. It is available in three standard degrees of strength and hardness: hard-drawn, medium-hard-drawn, and soft-drawn. Hard-drawn copper results from the repeated drawing of the wire down to the desired size without annealing, i.e., without deliberate after-heating and cooling. Medium-hard-drawn copper results from drawing the wire down to the desired size; annealing must be made under controlled conditions or the degree of hardness will not be consistent enough to be considered constant for design purposes. Soft-drawn copper results from annealing after drawing is complete; here, too, annealing must be controlled to result in constant values of hardness.

As the names imply, the difficulty in handling copper wire depends on its hardness, as does its strength. Hence, for overhead lines, hard-drawn copper finds greatest application for long spans, medium-hard-drawn for intermediate-length spans, and soft-drawn for short spans and for such other uses as connecting leads, tie wires, and other applications where strength is not a major requirement and flexibility is highly desirable.

For cables, interior wiring, and other uses where mechanical strength is not of paramount importance, soft-drawn copper is almost always preferred because of its flexibility.

### *Flexibility*

To obtain additional flexibility, particularly where hard-drawn and medium-hard-drawn copper are involved, conductors are sometimes stranded; i.e., a conductor of a specific size may be made up of a number of smaller-crosssection conductors whose sum is equal to the cross section of the specific conductor. While this makes the conductor more flexible, it does increase the overall diameter of the conductor.

**Aluminum**

Although the conductivity of aluminum is only some 61 percent that of copper, the weight of aluminum is only about one-third that of copper. For the same conductivity, therefore, an aluminum conductor would weigh only about half as much as copper, although somewhat larger in diameter. The breaking strengths of aluminum and soft-drawn copper are also about the same. The result is that these two materials are economically competitive as conductors.

**Aluminum Conductor, Steel-Reinforced (ACSR)**

From the viewpoint of mechanical strength, plain aluminum conductors cannot be hardened and, hence, cannot compare with medium- and hard-drawn copper conductors. It is sometimes alloyed, however, with other materials to increase its strength slightly, but more often, its deficiency in strength is overcome by having steel reinforce the aluminum. This is accomplished by having strands of aluminum wire wrapped around a central core of one or more strands of high-strength steel wire. The breaking strength of this type of conductor, 2 or more times that of plain aluminum, is considerably greater than even that of a hard-drawn copper conductor of the same conductivity.

**Steel**

Although its conductivity is relatively low, yet because of its very high mechanical strength, steel is sometimes used as an electrical conductor. Its use is limited to those few occasions where mechanical strength is of paramount importance. It is usually protected from corrosion by galvanizing or otherwise protected by some covering.

**Copper-clad Steel**

The advantages of steel for strength and copper for conductivity are combined into a solid nonstranded-type copper-clad steel conductor. Obviously, this type of conductor is limited to the smaller-size copper conductor equivalents. The layer of copper is continuously bonded to the steel, resulting in a material that is essentially homogeneous. Such conductors are made in two grades of conductivity, 30 and 40 percent copper (as a percentage conductivity compared to the conductivity of hard-drawn copper of the same cross section) and in two grades of strength depending on the grade of steel around which the copper is placed. The copper covering acts to insure the conductors against destructive corro-

sion. This type of conductor is handled in the same manner as solid-type hard-drawn copper conductors.

### Other Materials

From time to time, other materials have been employed as conductors of electricity. Silver, because of its very high conductivity, has sometimes been used in very special situations where strength and cost are not the principal concerns.

Alloys of both copper and aluminum have also found special applications. Brass and bronze, though stronger than copper mechanically, have lower conductivities, and have found application in relatively few special situations.

Similarly, aluminum alloyed with small percentages of silicon, magnesium, iron, and other metals has been used where increased hardness and tensile strength are desired along with light weight, and where conductivity is of secondary importance.

### Characteristics of Conductor Materials

The more important characteristics of the several conductor materials mentioned above are given in Table 9-1. Conductivity and weight have already been discussed. While the words *strength* and *tension* have been used, further description is needed; these are quantified in the table in terms of elastic limits and ultimate strengths.

#### *Elastic Limit and Modulus of Elasticity (Sag)*

The elastic limit of a metal is the amount of elongation or stretch that the material can make under stress while still being able to return to its original dimensions, i.e., without permanent deformation after the stress is removed. The elasticity of a material can be measured as a ratio between the stress applied (in pounds per square inch or kilograms per square centimeter) and the elongation produced per unit length (say, inches per foot or millimeters per meter). This ratio is known as the *modulus of elasticity* and is a measure of the way a conductor will sag under loading.

A very small percentage elongation of a conductor is accompanied by a comparatively large increase in sag. Tension is approximately inversely proportional to sag; i.e., when the sag is increased, the tension (or stress) in the conductor is decreased. The elongation, up to the elastic limit and including a factor of safety, is taken into account in computing sags.

Elongation beyond the elastic limit can continue until the conductor is at or near the breaking point, which is a measure of the ultimate strength of the conductor. For stranded conductors, the ultimate strength is taken at about 90 percent of the sum of the strengths of the individual strands. The ultimate strength has little importance in the design of electric lines, but is a figure which allows factors of safety to be determined, i.e., a ratio of stress that would ultimately cause the conductor to fail to the allowed stress.

#### *Temperature Coefficient of Linear Expansion*

There is still another characteristic of materials that affects the performance of conductors: the temperature coefficient of linear expansion, or a measure of the change in length of the material with temperature. This is of great importance, as a sag installed in a line at a particular temperature, say in summertime, may be considerably different at another temperature, say in wintertime. These variations caused by temperature differences are taken into account in the design and construction of overhead lines.

#### *Conductor Sizes*

Since it is impractical to manufacture an infinite number of wire sizes, standards have been adopted for an orderly and simple arrangement of such sizes for manufacturers and users. The American Wire Gauge (AWG), formerly known as the Browne and Sharpe Gauge (B&S), is the standard generally employed in this country and where American practices prevail.

In defining conductor sizes, the *circular mil* (cmil) is usually used as the unit of measurement. It is the area of a circle having a diameter of 0.001 in, which works out to be  $0.7854 \times 10^{-6}$  in<sup>2</sup>. In the metric system, these figures are a diameter of 0.0254 mm and an area of  $506.71 \times 10^{-6}$  mm<sup>2</sup>.

Wire sizes are given in gauge numbers, which, for distribution system purposes, range from a minimum of no. 12 to a maximum of no. 0000 (or 4/0) for solid-type conductors. Solid wire is not usually made in sizes larger than 4/0, and stranded wire for sizes larger than no. 2 is generally used. Above the 4/0 size, conductors are generally given in circular mils (cmil) or in thousands of circular mils (cmil  $\times 10^3$ ); stranded conductors for distribution purposes usually range from a minimum of no. 6 to a maximum of 1,000,000 cmil (or 1000 cmil  $\times 10^3$ ) and may con-

sist of two classes of strandings. These wire sizes and their dimensions are given in Table 9-2.

Gauge numbers may be determined from the formula:

$$\text{Diameter, in} = \frac{0.3249}{1.123^n}$$

or

$$\text{Cross-sectional area, cmil} = \frac{105,500}{1,261^n}$$

where  $n$  is the gauge number (no. 0 = 0; no. 00 = - 1; no. 000 = - 2; no. 0000 = - 3).

**Table 9-2. Characteristics of solid and stranded conductors.**

Size	<i>Both solid and stranded conductors</i>							<i>Stranded conductor</i>	
	<i>Cross section</i>		<i>Weight, lb/1000 ft*</i>		<i>Resistance, Ω/1000 ft at 20°C</i>		<i>Solid conductor diameter, in</i>	<i>Number and diameter of strands, in</i>	<i>Diameter, in</i>
	<i>cmil</i>	<i>in<sup>2</sup></i>	<i>Cu</i>	<i>Al</i>	<i>Cu</i>	<i>Al</i>			
—	1,000,000	0.7854	3026.9	921.6	0.010	0.017	—	61 × 0.128	1.150
—	750,000	0.5891	2270.2	691.2	0.014	0.022	—	61 × 0.111	0.998
—	500,000	0.3927	1513.5	460.8	0.021	0.034	—	37 × 0.116	0.813
—	350,000	0.2749	1059.4	322.5	0.030	0.048	—	{ 37 × 0.097 19 × 0.136	{ 0.681 0.678
—	250,000	0.1964	756.7	230.4	0.041	0.068	—	{ 37 × 0.082 19 × 0.115	{ 0.575 0.573
4/0	211,600	0.1662	640.5	195.0	0.049	0.080	0.4600	{ 19 × 0.106 7 × 0.174	{ 0.528 0.522
3/0	167,772	0.1318	507.9	153.6	0.063	0.102	0.4096	{ 19 × 0.094 7 × 0.155	{ 0.470 0.464
2/0	133,079	0.1045	402.8	122.0	0.078	0.128	0.3648	{ 19 × 0.084 7 × 0.138	{ 0.418 0.414
1/0	105,625	0.0830	319.5	97.0	0.098	0.161	0.3250	{ 19 × 0.075 7 × 0.123	{ 0.373 0.368
1	83,694	0.0657	253.3	76.9	0.124	0.203	0.2893	{ 19 × 0.066 7 × 0.109	{ 0.322 0.328
2	66,388	0.0521	200.9	61.0	0.156	0.256	0.2576	7 × 0.097	0.292
3	52,624	0.0413	159.3	48.4	0.197	0.323	0.2294	7 × 0.087	0.260
4	41,738	0.0328	126.4	38.4	0.249	0.408	0.2043	7 × 0.077	0.232
5	33,088	0.0260	100.2	30.4	0.313	0.514	0.1819	7 × 0.069	0.207
6	26,244	0.0206	79.5	24.1	0.395	0.648	0.1620	7 × 0.061	0.184
7	20,822	0.0164	63.0	19.1	0.498	0.817	0.1443	7 × 0.053	0.167
8	16,512	0.0130	50.0	15.2	0.628	1.030	0.1285	7 × 0.047	0.154

\*For PE- and PVC-insulated conductors, add 550 lb per square inch of cross section for every 1000 ft.

To convert to metric system:

$$\text{in}^2 \times 645 = \text{mm}^2$$

$$\text{in} \times 2.54 = \text{cm}$$

Courtesy The Anaconda Co., Wire & Cable Div.

It will be noted that the diameter of the wire doubles approximately every sixth size (e.g., no. 2 has twice the diameter of no. 8), and the cross-sectional area therefore doubles every third size and is 4 times as great every sixth size (e.g., no. 2 has twice the area of no. 5 and 4 times that of no. 8).

The diameter of stranded wire is approximately 15 percent greater than the diameter of a solid wire of the same cross-sectional area.

The gauge numbers and wire designations apply to conductors of all materials. Usually, however, the equivalent wire sizes are denoted for the several materials in comparison to copper (e.g., 4/0 aluminum is equivalent to 2/0 copper). These are indicated in the tables for such conductors.

### *Conductor Coverings*

Although the practice has essentially been discontinued, in the early days of overhead line construction, conductors were sometimes provided with weatherproof coverings. Such coverings usually consisted of cotton braids impregnated with a water-resistant compound wrapped about the wire. These conformed to no standards, but the various thicknesses of covering used were designated by the number of braids: single-braid, double-braid, and triple-braid. These coverings were used on conductors operating at secondary voltages usually less than 500 V, and at primary voltages under 5000 V. It was felt that such coverings would prove useful in preventing short circuits in stringing new wire, when wires swung together, when they came in contact with tree limbs, or when objects fell or were thrown across the wires. Although the insulating value of such coverings is unreliable, it will be more or less in proportion to the thickness of the covering, the preservative, age, and other considerations. As indicated earlier, this practice has been essentially discontinued, but a great many such installations still exist and will be met in maintenance and reconstruction activities.

### *Tree Wire*

Where wires are strung among trees with the possibility of abrasion from contacting limbs and resultant short circuits, an especially heavy covering was applied to the wires. Often, this consisted of thick fiber, hemp, or sisal coverings, in some instances applied over some rubber insulation. Again, this practice is virtually obsolete, though some tree wire still remains in place.

Where fear of wires' coming together and tree problems are still considerations to be taken into account, present practice calls for installing fully insulated wire.

### *Insulated Wire*

Use of insulated wire on overhead systems was formerly restricted to transformer connections, overhead-to-underground and other jumper connections, and an occasional span or two. Insulation consisted of rubber covered with one or more weatherproof braids. The rubber insulation was subject to deterioration from temperature changes, moisture, sunlight, pollution, and other causes.

The development of plastics, such as polyethylene (PE) and polyvinyl chloride (PVC), has made available insulated conductors in which the plastic serves both as insulation and covering or sheathing. It has completely taken the place of weatherproof covered conductors, tree wire, and other insulated wire mentioned above. Indeed, the availability of such plastic-insulated wire has increased its usage in place of bare wire for overhead and for lead-sheathed underground cables, resulting in generally improved reliability for the former and wider application of underground systems.

One of the features of some of these plastics is their hardness, particularly at low temperatures. They are therefore somewhat more difficult to handle, and the plastic must sometimes be heated before it can be removed by knife or other tool, for making connections or for other purposes.

## CABLES

Conductors for use in underground systems must be provided with insulation sufficient to withstand the voltages at which they must operate. Generally, these consisted of stranded copper conductors (except very small-size conductors which were solid) with insulation of rubber, varnished cambric, or special oil-impregnated paper, all contained within a sheath made of lead. In some special circumstances, such as in heavy tree areas or where appearance was an important factor, these cables were installed on overhead systems, usually attached to a messenger wire for support between poles.

Because the rubber insulation sometimes contained sulfur compounds which reacted destructively with the copper, the conductor



strands were often tin-plated, adding to the complexity and cost of such insulated cables; these were generally limited to secondary voltage applications of 500 V or less and to primary voltages of 5000 V or less.

Single-conductor cables are used for spur or lateral or branch lines of feeders where numerous branch joints or splices are required, for secondary and service supply, for street lighting, and other such purposes, or where the conductor may be very large, making a multiconductor cable impractical. Multiple-conductor cables of two, three, or four conductors are used in the main portion of feeders, where there may be few branch connections required; in such instances they may be more economical, both from material and labor standpoints, than a number of single-conductor cables.

In some instances, where electrolytic or other chemical conditions may cause sheath corrosion or erosion, lead sheaths may be replaced with nonmetallic sheaths or the sheath (and cable) may be covered with nonmetallic materials such as plastics.

In some instances, such lead-sheathed cables may be buried directly in the ground, or laid under water in submarine installations. In these instances, the lead sheath is covered with jute or tar and armor wires of steel are wound around the whole for protection.

Although the installation of lead-sheath cables is a disappearing practice, many miles of such installations exist and will continue to exist for many years to come.

Cables in which the plastic takes the place of both insulation and sheath are now used almost exclusively for distribution circuits, and are more extensively buried directly in the ground. This not only eliminates ducts and manholes, but permits longer sections of cable to be used with fewer splices required. Aluminum often replaces copper as the conductor in these newer types of cables.

## SECONDARY MAINS

Secondary mains consisting of two or more conductors were sometimes fastened to insulators mounted on cross arms and more often on insulated racks attached to the sides of the poles. The "live" conductors were generally of weatherproof covered wire, though sometimes they were rubber-insulated with a covering wrapped about the rubber. The "neutral" conductor was generally a bare wire.

More recently, with the advent of plastics in this field, secondary conductors with plastic insulation are wound together or "cabled" with the bare neutral wire, the assembled conductors thus becoming self-supporting; more often, the conductors are made of aluminum, rather than the copper formerly almost universally used. Besides taking up less space on the top or side of the pole, cabled secondaries are easier to install and their reactance (which contributed to a loss or drop in voltage) is less than for the open-type conductors.

## SERVICE CONDUCTORS

Overhead services for many years were of the open-wire or multiple-conductor types. Open-wire construction, with separate weatherproof covered wire and bare neutral, held apart on separate insulators, not only was cheaper, but allowed a third or fourth conductor to be added very readily. In multiple-conductor construction, sometimes known as "duplex" or "triplex" cables, the service cable consisted of one or two insulated conductors about which the neutral conductor strands were wound, the whole enclosed by weatherproof braiding. This type of construction made for better appearance, and a slightly better reactance. Many of both open-wire and multiple-conductor services still exist and will continue to do so for an indefinite time.

Services also have employed "cabled" conductors, similar to those used for secondary mains. In some instances, consumers are served from midspan taps; in others, from poles. Economics and appearance are the determining factors.

In many instances, services are placed underground, generally for the sake of appearance. Lead-sheath rubber-insulated cables installed in ducts or conduits, or supplied with armor and buried directly in the ground, have been used. Plastic-insulated conductors requiring no sheathing have largely taken the place of such underground cables. They are buried directly in the ground, as previously described for main-line conductors.

## CONNECTIONS

Connections made between conductors, in joining two ends together or in making a tap off the other, should be electrically and mechani-

cally sound. They not only should introduce no additional resistance (and associated heating) at the points of contact, but they should also not be subject to corrosion or conductor stresses or movements.

In earlier times, such connections usually consisted of wires wrapped together and soldered. Later, twisted sleeves were employed in which the two ends of the conductor were inserted in a sleeve and the whole assembly twisted. Stranded conductors had each strand serviced separately before soldering. Many of these connections still exist.

The later development of "solderless" or mechanical connectors made obsolete the wrapped and soldered splices. Parallel-groove clamps, split-bolt connectors, and crimped sleeves made splicing more simple and more uniform, with substantial reduction in labor costs. Some of these are shown in Figure 9-1. For rapid installation, usually during periods of emergency, the "automatic" splice, employing wedges which, under pressure of the sagging wire, grip the ends of the conductors to

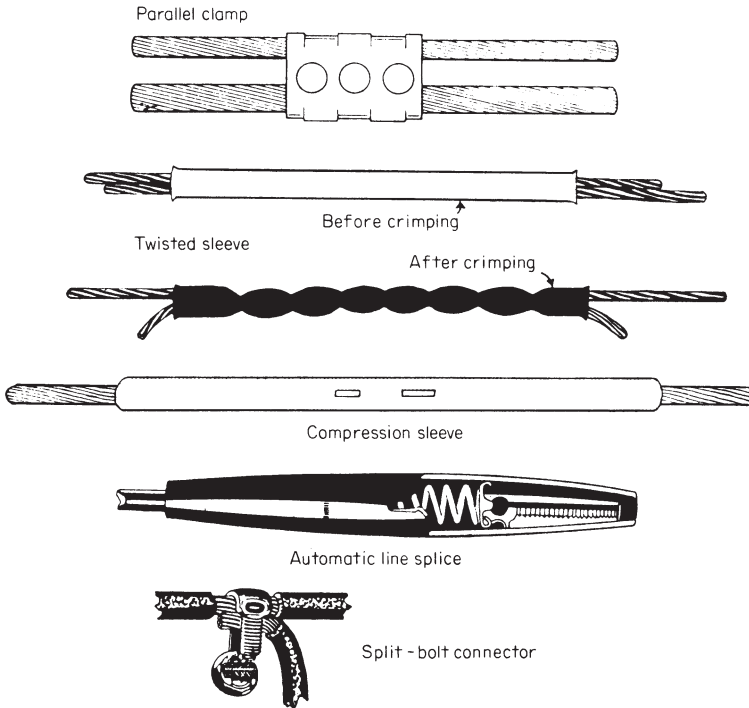


Figure 9-1. Mechanical connectors. (Courtesy Burndy Corp.)

be spliced, was also developed; this is relatively more expensive.

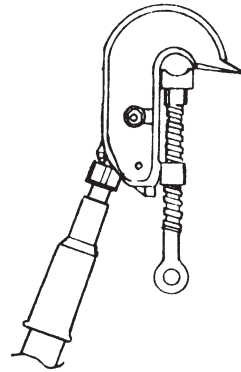
When necessary, friction tape, or insulating tape covered with friction tape, is employed to continue the covering or insulation. In present-day applications, the splices are often left bare.

In many instances, where it is desirable to disconnect the connection readily, special clamps, sometimes known as “live-line” or “hot-line” clamps, are used; these are shown in Figure 9-2.

The advent of aluminum conductors into a field in which the conductors previously were exclusively copper presents problems where conductors of dissimilar metals need to be connected together. Special care is exercised, since the connection may be affected by chemical interaction between the two metals, especially when wet and in the presence of some pollutants; but even more, because of the different rates of expansion when heated. The uneven expansion and contraction will eventually cause such splices to become loose, and their resistance to increase with consequent abnormal heating, with possible dire results.

Connectors for copper-to-copper conductors are usually made of copper, though bronze is sometimes used for greater strength. Where aluminum or ACSR conductors are to be connected to similar conductors, connectors of aluminum are used. Where the conductors to be connected are of dissimilar metals, connectors are so designed that only surfaces of similar metals come in contact with each other; aluminum clamps with copper bushings, or vice versa, are employed for this purpose. Care is taken to prevent water dripping from copper items, which may contain copper salts, from coming into contact with aluminum items.

While this discussion applies equally to overhead and underground installations, it must be noted that splices on underground cables, especially where lead-sheath cables are involved, are very much more complex. The connector must be smooth so that no corona discharge will pit the metals. The insulation covering the connector is carried over from one cable to the other by means of insulating tapes wound about the connector. The lead sheath is sweated or soldered to the cable sheaths and



**Figure 9-2. Live-line or “hot-line” clamp. (Courtesy A.B. Chance Co)**

is usually larger in diameter. The splice may be filled with an insulating compound, which is heated and poured into the splice, where it hardens on cooling. The new plastic-insulated cables are spliced with a connector between the two conductors and plastic tape of the same material as the insulation wrapped about the assembly; the tape tends to become homogeneous with time.

## OVERHEAD-TO-UNDERGROUND CONNECTION

Connections are often required to be made between overhead and underground conductors. With the advent of plastic-insulated cables, connections have been made directly between the overhead and underground conductors. Live-line clamps furnish a means for easy and rapid disconnection of the conductors involved. Potheads and weatherheads are dispensed with.

In older installations, many of which will continue to exist, special devices have been used. For primary voltages, *potheads* have been used. Here the conductors of the underground cable are connected to terminals in which the conductors are surrounded by poured insulation compound to prevent moisture or air from entering the cable insulation. The overhead wires are connected to the female end of the terminal, enclosed in an insulated cap. The connection is made by placing the cap over the terminal extending from the pothead case. Potheads so described are known as *disconnecting* potheads. Where the connections are made directly to the terminal extending from the pothead in a permanent fashion, the pothead does not carry this distinction.

For lower secondary voltages of 500 V or less, a simpler device was used. Here the conductors of the underground cable are brought out through a preformed insulator, usually of porcelain, in an assembly which inverts the leads so that rain cannot enter the cable. Such devices are known as *weatherheads*. Connection to the overhead wires is made with ordinary connectors of the several types described; see Figure 9-3.

## TIES

Ties are pieces of wire used to attach the conductors to the insulators on overhead systems. They should be flexible enough to be handled

easily, but must be mechanically strong to prevent the conductor from pulling away from the insulator under stress. For bare copper conductors, this tie wire is usually of soft-drawn copper; for weatherproof covered conductors, bare or weatherproof covered wire is used. For aluminum or ACSR conductors, soft-drawn aluminum wire is used. Wire sizes are optional, but are generally small enough to be flexible but strong enough for the purpose. Often such ties are made from old or discarded conductors of small sizes, no. 6 or no. 8 conductor. Where such ties are handled while the conductors remain energized, ties designed with loops that can be handled with so called hot-line tools or hot sticks are employed. Several types of ties are shown in Figures 9-4 and 9-5.

For special conditions, especially for live-line operations, clamps that are designed to hold the conductors, but are easily opened, are used. The economics of such clamps, however, are such that they are rarely used. Tie wires are almost universally used.

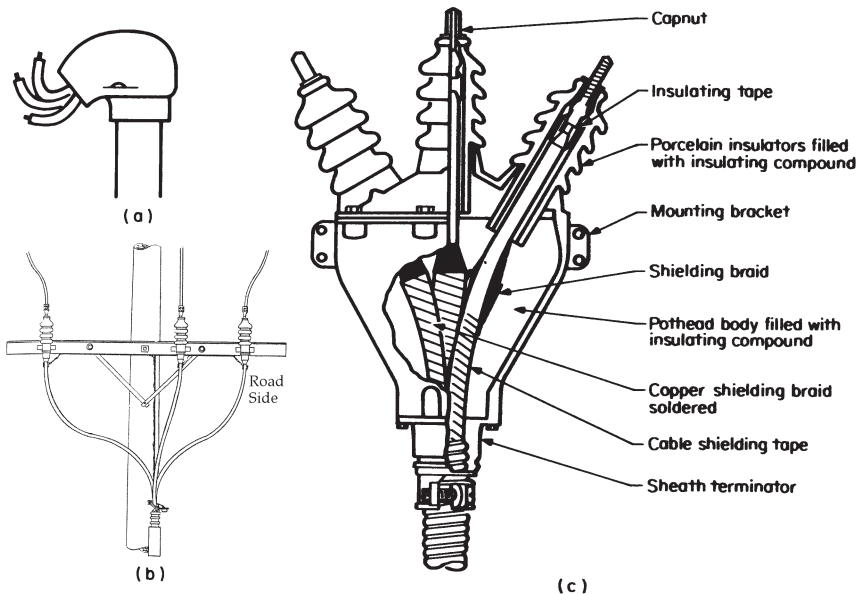


Figure 9-3. Connection between overhead and underground lines: (a) weatherhead for secondary lines; (b) pothead for primary lines; (c) cross section of pothead. (Courtesy G&W Electric Specialty Co.)

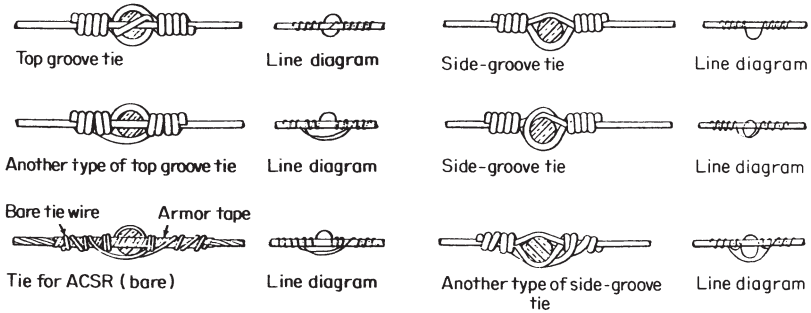


Figure 9-4. Wire ties for overhead conductors: handmade wire ties. (Courtesy EEI Overhead Reference Book.)

ELECTRICAL CHARACTERISTICS

Resistance values for the various sizes of conductors are assumed to be the same for ac and dc operation; the skin effect prevalent in ac circuits at the values normally encountered in distribution circuits is small and may be neglected; refer to Table 9-2.

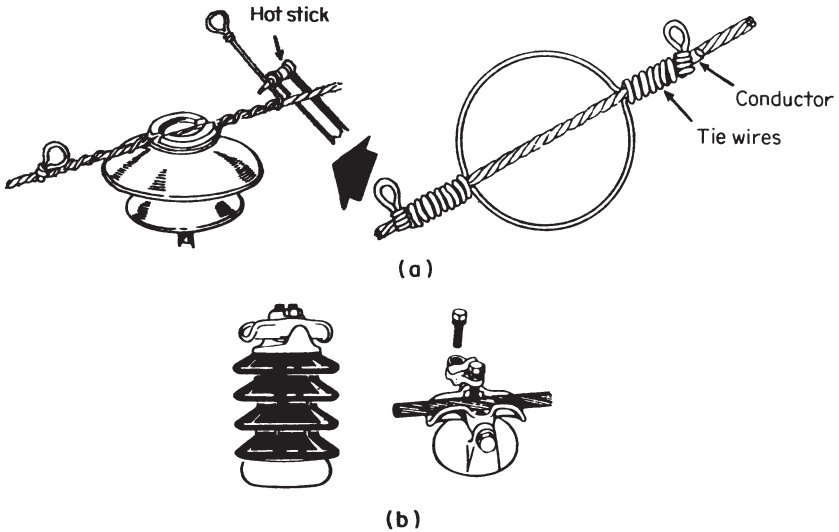


Figure 9-5. Wire ties for overhead conductors: (a) live-line-type tie; (b) clamp-type tie. (Courtesy A. B. Chance Co.)

Table 9-3. Inductive reactance per single conductor: copper or aluminum, 60 cycle,  $\Omega$ 1000 ft.

Wire size,	Spacing between conductors, in											
	$\frac{3}{8}$	$\frac{1}{2}$	1	2	4	6	8	12	18	24	30	36
<b>Cmil or no. stranded</b>												
1,000,000	—	—	—	0.0377	0.0534	0.0628	0.0693	0.0787	0.0881	0.0947	0.1000	0.1042
750,000	—	—	0.0250	0.0419	0.0568	0.0663	0.0727	0.0823	0.0915	0.0982	0.1025	0.1073
500,000	—	—	0.0286	0.0445	0.0604	0.0696	0.0762	0.0855	0.0948	0.1014	0.1065	0.1107
350,000	—	—	0.0354	0.0487	0.0646	0.0738	0.0803	0.0897	0.0990	0.1055	0.1107	0.1149
250,000	—	—	0.0365	0.0524	0.0683	0.0775	0.0841	0.0934	0.1027	0.1093	0.1144	0.1180
4/0	—	—	0.0384	0.0543	0.0702	0.0794	0.0860	0.0953	0.1046	0.1112	0.1163	0.1205
3/0	—	—	0.0411	0.0570	0.0729	0.0821	0.0887	0.0980	0.1073	0.1139	0.1190	0.1232
2/0	—	—	0.0437	0.0596	0.0755	0.0847	0.0913	0.1006	0.1099	0.1165	0.1210	0.1258
1/0	—	—	0.0464	0.0623	0.0782	0.0874	0.0940	0.1033	0.1126	0.1192	0.1248	0.1285
1	0.0276	0.0342	0.0501	0.0660	0.0819	0.0911	0.0977	0.1070	0.1163	0.1229	0.1280	0.1322
<b>Solid</b>												
2	0.0303	0.0369	0.0528	0.0686	0.0845	0.0938	0.1004	0.1097	0.1190	0.1256	0.1307	0.1348
3	0.0329	0.0395	0.0554	0.0713	0.0872	0.0964	0.1030	0.1123	0.1216	0.1282	0.1334	0.1375
4	0.0356	0.0422	0.0581	0.0740	0.0899	0.0991	0.1057	0.1150	0.1243	0.1309	0.1360	0.1402
6	0.0409	0.0475	0.0634	0.0793	0.0952	0.1044	0.1110	0.1203	0.1296	0.1362	0.1413	0.1455
8	0.0462	0.0528	0.0687	0.0846	0.1005	0.1097	0.1163	0.1256	0.1349	0.1415	0.1466	0.1508

Note: For stranded conductors, the inductance is approximately 0.0013  $\Omega$  less than for the same size solid conductors.

From *Overhead Systems Reference Book*.



Inductive reactance values, for multiwire circuits, depend on the distance between conductors with respect to each other; these are shown in Table 9-3. For distances between conductors not shown, values of inductive reactance may be interpolated from the values shown.

## *Chapter 10*

# **Poles, Cross Arms, Pins, Racks, and Insulators**

### WOOD POLES

Overhead distribution lines are almost universally supported on poles made of wood, though concrete and metal (steel and aluminum) are also used.

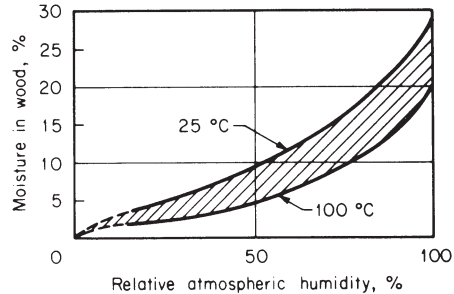
#### **Kinds of Wood**

The kinds of wood used frequently reflect the availability of materials in the different areas of the country. Western red cedar has wide application in western and northern regions, while southern or long-leaf yellow pine predominates in the rest of the country. Large amounts of northern white cedar and chestnut, however, still exist among older installations; limited amounts of Douglas fir may be found in the west and redwood in the far west, while cypress is occasionally used locally in some swampy areas of the southeast. Other woods are sometimes also used in the local areas in which they are produced. For special situations where high strength is required, wallaba may be used, though it is imported from northern South America and is comparatively denser and heavier and more expensive than other woods.

Blight has accounted for the rapid disappearance of chestnut, and northern white cedar has become obsolete not only because of diminished supply, but because it is inclined to be knotty and not very straight, making it harder to handle and work on, while it also does not present the best of appearances. Both chestnut and northern white cedar, however, have relatively long natural lives, and many still exist and may continue in service for some time. Most other woods (and particularly long-leaf yellow pine), however, are more susceptible to decay and must be treated with some kind of preservative to attain an economical life span.

### Moisture Absorption

Wood, being porous, has a tendency to absorb moisture, and the moisture content depends on the conditions under which the material is used. Wood exposed to the weather can absorb large amounts of water. Since wood is a hygroscopic substance, it tends to give off or take on water vapor until it comes into equilibrium with the surrounding air; changes in atmospheric humidity produce a continual fluctuation in the moisture content of the wood. The relation of the equilibrium moisture content of wood to the relative humidity of the ambient at three different temperatures is shown in Figure 10-1.



**Figure 10-1. Absorption of atmospheric moisture by wood.**

### Decay

Much of the difficulty experienced with wood poles is due to decay, particularly at the ground line. Decay is caused by fungi attacking the wood fibers, and the conditions most favorable to the growth of decay fungi are air, moisture, and heat, with the wood acting as their food supply. In the part of the pole below ground, moisture is usually present but air is in short supply; in the part above ground, the reverse is generally true. At and near the ground line, both of these elements exist in relatively substantial quantities and, hence, this particular area is more subject to decay.

### Preservatives

To eliminate, or at least retard, this destructive process, wood poles are first heated in a vacuum to drive out moisture (and to kill some of the fungi) and then treated with a preservative under pressure to fill the pores of the wood fiber; this not only poisons the food supply of the fungi (and insects), but also inhibits the absorption of moisture. Many different preservatives have been employed with varying degrees of effectiveness. No penetration process, however, is completely successful, and so periodic inspection and maintenance of the poles is usually

scheduled.

Poles are turned on large lathes to improve their appearance before being subjected to treatment with preservatives for their full length. Preservatives may add as much as 25 percent to the weight per cubic foot of the wood.

**Pole Classification**

Pole lengths are standardized and come in increments of 5 ft and range from 20 ft to over 90 ft; for distribution lines, however, lengths are usually limited to from 25 to 55 ft.

The strength of poles depends not only on the material, but on their crosssectional dimensions. This feature is also standardized and is denoted by “class” numbers, ranging from 00 to 10. For each standard length, the dimensions for each class are defined by standardized circumferences at the top of the pole and at a point 6 ft from the butt or bottom (approximately at the ground line). The top circumference for poles of all of the kinds of wood of the same class is the same; the lower circumference is different for different kinds of wood and determines the taper of the pole. American Standards Association (ASA) standard dimensions are given in Table 10-1 for southern pine, western red cedar, and wallaba poles; also shown are standard depth settings for the several lengths of poles.

**Pole Depth Setting**

For ordinary soils, depth settings start at 4 ft for 20-ft-length poles and progress to 7-1/2 ft for 55-ft poles; in rock, similar settings range from 3 ft to 5 ft. Pole setting depths for poles over 55 ft increase 0.5 ft for each 5 ft of incremental length, from 8 ft for 60-ft poles to 11 ft for 90-ft poles.

For less resistant soils and other media, deeper settings must be considered, as well as other methods for reinforcing the strength and stability of the pole, such as push braces, cribbing, and guying. Guying is one of the most efficient methods of relieving the pole from some or all of its horizontal load; it has been discussed in Chapter 5.

**Pole Strengths**

Poles of equal classes will carry equal loads at 2 ft from the top of the pole when set in the ground at standard ASA setting depths. The transverse loads which different class poles will carry are given in Table 10-2.

Table 10-1. Standard maximum horizontal force that can be applied to classes of poles.

Pole length, ft	Depth setting, ft	Wood*	Minimum circumference at 6 ft from butt (approximate ground line), in								
			Class and minimum top circumference, in								
			00 29	0 28	1 27	2 25	3 23	4 21	5 19	6 17	7 15
20	4	P	—	—	31.5	29.5	27.5	25.5	23.5	22.0	20.0
		C	—	—	34.5	32.0	30.0	28.0	25.5	23.5	22.0
		W	32.0	30.0	28.5	26.5	25.0	23.0	21.0	—	—
25	5	P	—	—	34.5	32.5	30.0	28.0	26.0	24.0	22.0
		C	—	—	38.0	35.5	33.0	30.5	28.5	26.0	24.5
		W	35.0	33.0	31.0	29.0	27.0	25.5	23.5	—	—
30	5½	P	—	—	37.5	35.0	32.5	30.0	28.0	26.0	24.0
		C	—	—	41.0	38.5	35.5	33.0	30.5	28.5	26.5
		W	38.0	36.0	33.5	31.5	29.5	27.5	25.5	—	—
35	6	P	45.0	42.5	40.0	37.5	35.0	32.0	30.0	27.5	25.5
		C	49.0	51.5	43.5	41.0	38.0	35.5	32.5	30.5	28.0
		W	40.5	38.0	36.0	33.5	31.5	29.0	27.0	—	—
40	6	P	47.0	44.5	42.0	39.5	37.0	34.0	31.5	29.0	27.0
		C	51.0	48.5	46.0	43.5	40.5	37.5	34.5	32.0	—
		W	42.5	40.5	38.0	35.5	33.5	31.0	28.5	—	—
45	6½	P	50.0	47.0	44.0	41.5	38.5	36.0	33.0	30.5	28.5
		C	54.0	52.0	48.5	45.5	42.5	39.5	36.5	—	—
		W	45.0	42.5	40.0	37.5	35.0	32.5	30.0	—	—
50	7	P	—	—	46.0	43.0	40.0	37.5	34.5	32.0	29.5
		C	—	—	50.5	47.5	44.5	41.0	38.0	—	—
		W	46.5	44.0	41.5	39.0	36.5	34.0	31.5	—	—
55	7½	P	—	—	47.5	44.5	41.5	39.0	36.0	33.5	—
		C	—	—	52.5	49.5	46.0	42.5	39.5	—	—
		W	48.5	46.0	43.0	40.5	38.0	35.0	32.5	—	—
60	8	P	—	—	49.5	46.0	43.0	40.0	37.0	34.5	—
		C	—	—	54.5	51.0	47.5	44.0	—	—	—
		W	50.0	47.5	44.5	42.0	39.0	36.5	33.5	—	—
65	8½	P	—	—	51.0	47.5	44.5	41.5	38.5	—	—
		C	—	—	56.0	52.5	49.0	45.5	—	—	—
70	9	P	—	—	52.5	49.0	46.0	42.5	39.5	—	—
		C	—	—	57.5	54.0	50.5	47.0	—	—	—
75	9½	P	—	—	54.0	50.5	47.0	44.0	—	—	—
		C	—	—	59.5	55.5	52.0	48.5	—	—	—
80	10	P	—	—	55.0	51.5	48.5	45.0	—	—	—
		C	—	—	61.0	57.0	53.5	49.5	—	—	—
85	10½	P	—	—	56.5	53.0	49.5	—	—	—	—
		C	—	—	62.5	58.5	54.5	—	—	—	—
90	11	P	—	—	57.5	54.0	50.5	—	—	—	—
		C	—	—	63.0	60.0	56.0	—	—	—	—

\*P = yellow pine; C = western red cedar; W = wallaba.

Some average figures regarding the characteristics of several kinds of wood are shown in Table 10-3.

**Table 10-2. Standard maximum horizontal force that can be applied to classes of poles\***

<i>Pole class</i>	<i>Load resistance 2 ft from top (approximate load that pole must withstand), lb</i>	<i>Increment between class numbers</i>
10	(No specifications)	—
9	900	—
8	1000	100
7	1200	200
6	1500	300
5	1900	400
4	2400	500
3	3000	600
2	3700	700
1	4500	800
0	5400	900
00	6400	1000

\*At standard depth settings.

**Table 10-3. Characteristics of various woods.**

<i>Wood</i>	<i>Weight, lb/ft<sup>3</sup></i>	<i>Ultimate strength, lb/in<sup>2</sup></i>
Northern white cedar	23	3,600
Redwood	24	4,400
Cypress	29	4,800
Western red cedar	23	5,600
Chestnut	41	6,000
Southern yellow pine	35	7,400
Douglas fir	32	8,000
Wallaba	—	11,000
Locust	—	12,800

**Pole Framing**

In preparing wood poles for use, any cutting or boring is done before the preserving process to eliminate points in which decay may occur. In older poles, a “roof” was cut either in the shape of a gable or at an angle, to prevent snow, ice, and water from accumulating on top and causing decay. Present preserving practices make this unnecessary.

For attaching cross arms, a “gain” cut into the side of the pole, in the form of a channel gouged out to the dimensions of the cross arm, at standard locations on the pole, may be found in older poles. Present practice calls for planning a flat surface on one side of the pole, referred to as a “slab” gain.

### **Dielectric Value of Wood**

Wood offers a marked resistance to the passage of an electric current and, at least for lower voltages, may be classed as a nonconductor. Its dielectric strength varies with the different species and is greater across the grain than along the grain; changes in temperature affect the dielectric strength substantially, approximately doubling with each decrease of 22.5°F or 12.5°C. The most significant variation, however, takes place with changes in moisture content: as wood dries from fiber saturation to the vacuumed oven-dry condition, its dielectric value approaches infinity. Preservatives, however, have great influence on the dielectric strength of the wood, especially those consisting of chlorides; older poles treated with creosote and its derivatives have been found to experience little change in dielectric strength as a result of the treatment. As the wood seasons, the effect of still more aging on its dielectric strength diminishes and ceases to be serious in the period of a year or so. Although the wood of poles (and cross arms) aids in the insulation of line conductors from each other and from grounds, it is not to be relied upon where safety to the public and workers is concerned.

### **Life Expectancy**

The life of wood poles, under “normal” conditions of soil and weather, when they are treated and maintained with reasonably effective preservatives, has been estimated to be from 25 years to over 100 years. These figures have been used in making economic studies, in establishing sinking funds for the retirement of poles (and other wood structures), and in designing pole lines calling for considerably larger and stronger poles than initially necessary. In view of the continuing changes in consumer requirements, in civic and traffic requirements, and in the materials and methods employed in providing electric service, the higher longevity considerations (100 years, or even 50 years) appear to be somewhat unrealistic.

## CONCRETE AND METAL POLES

### **General**

Concrete and metal poles are at present not used extensively for distribution purposes in the United States. They are, however, used extensively in Europe and other lands where woods suitable for poles are not readily or economically available. Concrete and metal poles are usually used where great strength and appearance are paramount requirements; concrete poles are made in several colors and finishes. Both concrete and metal poles come in cross sections that are circular, square, or polygonal (usually six- or eight-sided). Both allow electrical risers to be installed in the hollow space within them.

### **Access to Pole-Top Facilities**

The problem of access to the facilities at the top of concrete and metal poles has been met by the use of pole steps, whether they are installed permanently, or whether means are provided for their temporary installation. The permanent installation of steps is frowned upon from considerations of safety; their temporary installation is time-consuming, as well as similarly unsafe, as such steps can be installed by unauthorized people. This contrasts with the safety provided by wood poles, where skilled and trained workers, employing climbers, essentially eliminate this unauthorized access by the general public. The widespread use of bucket-type trucks that enable access to pole-top facilities has essentially eliminated the need of climbing, as well as the need for the installation of steps on the pole. Hence, this means has become common to all types of poles.

## CONCRETE POLES

### **Manufacture**

Concrete poles are manufactured with hollow cores to reduce their weight, which has been (and still is) a disadvantage, especially when they are handled in the field. Reinforcing steel strands are installed longitudinally for the full length of the pole and prestressed before the concrete is placed; reinforcing steel strands are also installed, essentially at right angles to the longitudinal reinforcing strands, usually as special coils wrapped around and welded to them in a manner to prevent movement during concrete casting. See Figure 10-2.



In addition to their heavier weight (compared with wood), concrete poles are relatively more expensive, another reason for their lessened usage. Representative data on the characteristics of hollow round and square reinforced concrete poles are contained in Appendix 10A at the end of this chapter.

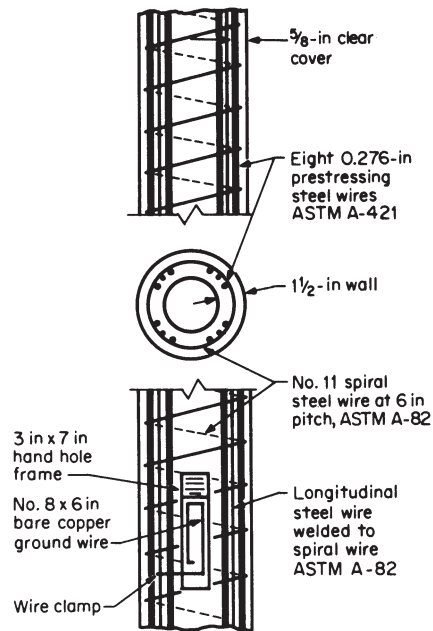
All concrete poles are tapered, and the square ones have chamfered corners. All provide cable entrance openings and hand holes to permit the installation of electric riser cables in their hollow cores.

### Advantages

Concrete poles are not adversely affected by wet or dry rot, birds (especially woodpeckers), fire, rust, or chemicals (such as fertilizers and salt spray). Besides being stronger and more rigid than wood, they are essentially maintenance-free; ground moisture and weather, which work against other types of poles, work in favor of concrete, hardening, toughening, and protecting its integrity. Considering the potential lifespans, concrete claims the lowest cost per year.

### METAL POLES

Metal poles are manufactured according to specifications drawn up for particular uses; their length and the thickness of the metal employed depend on their use and the desired strength. They are tapered and come in the same shapes as concrete poles—round, square, and polygons. They may also include provision for pole steps. Though generally of the color of the metal of which they are made, they may be painted in specified



**Figure 10-2. Typical reinforced concrete hollow pole section. (Courtesy Centrecon, Inc.)**

colors. They may be buried directly in the ground, set directly in bases of concrete, or bolted to metal base plates permanently set in concrete.

## CROSS ARMS

Cross arms are the most common means of supporting distribution conductors on poles. Although they are being used less frequently, their use will persist for some time.

### Standard Arms

Standard cross-section dimensions for wood cross arms (width by height) are:

- 3-1/4 in by 4-1/4 in
- 3-1/2 in by 4-1/2 in
- 3-3/4 in by 4-3/4 in
- 4 in by 5 in

Of these, the first two are most commonly used for distribution purposes, and usually only one of these will be stocked by an individual utility. The larger size finds greater use in the harsher northern and western climates, while the smaller finds use in the south and southwest. The rectangular cross section is slightly rounded or “roofed” on the top surface to shed rain and snow.

The length of the cross arm depends on the number of conductors it is to support and the spacing between them. Standard cross arms include two-, four-, six-, and eight-pin arms, although the four- and six-pin arms, 8 ft in length, are the more widely used. Spacing between pins for the six-pin 8-ft arm is standardized at 141 in, except for the space between the two center pins, the “climbing space” for the lineman’s safety; for primary voltages up to 15,000 V, this climbing space is 30 in, and for voltages above that value it is 36 in (with spacing between the six pins reduced to 13 in). Spacing between pins for the four-pin 8-ft cross arm is 26 in, with a space between the two center pins of 36 in, the climbing space. See Figure 10-3. Vertical spacing between cross arms is standardized at 2 ft.

Both Douglas fir and southern yellow pine are used for cross arms because of their comparatively high bending strengths and their dura-



**Wood Pins**

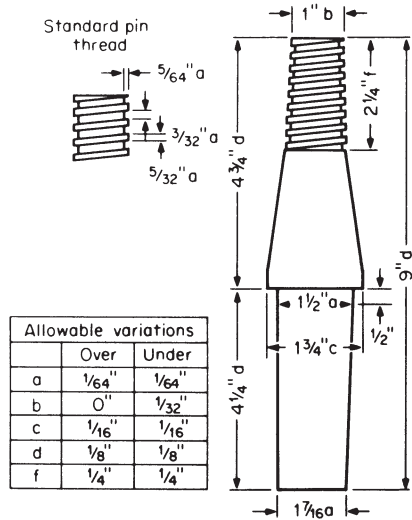
Wood pins are generally made of yellow or black locust, having an ultimate fiber bending strength of about 10,000 lb/in<sup>2</sup>. They are standardized in the dimensions of the pin and in the threads which accommodate the insulators. Where greater strength is required, galvanized metal pins having an ultimate fiber strength of 50,000 lb/in<sup>2</sup> for malleable iron and 60,000 lb/in<sup>2</sup> for steel are used.

Standard locust pins are 9 in. in length, with a shank 1-1/2 in. in diameter that fits into the cross-arm hole. A 1-3/4 in shoulder above this shank tapers to a 1-in-diameter part 2-1/4 in long, which is threaded to receive the insulator; refer to Figure 10-4.

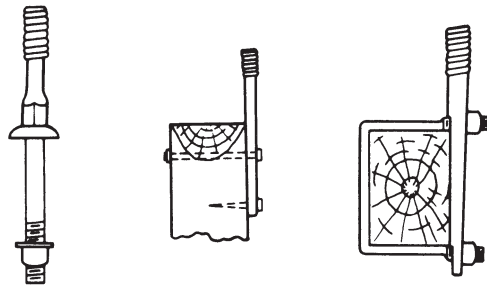
**Steel Pins**

Steel pins have many shapes; some are designed to be bolted through the cross arm, others to be bolted directly to the top of the pole. The steel pins may vary in length, and some may also be of hollow core section. Several types of steel pins are shown in Figure 10-5.

Long steel pins with angle bases, bolted to the side of the pole, serve to replace the cross arm in supporting conductors, making for a more streamlined, stronger, better-appearing line; refer to Figure 5-13 in Chapter 5.



**Figure 10-4. Standard wood pin.** (From *Overhead Systems Reference Book*.)



**Figure 10-5. Typical steel, pins.** (Courtesy A.B. Chance Co.)

## RACKS

Secondary conductors, for many years supported horizontally on wood cross arms, were relocated to a lower position on the pole and mounted vertically on a rack attached to the pole. They make for a better appearance and are stronger and less costly than cross arms; and the wires being in a vertical plane, service wires running in different directions do not cross each other. With this design the worker on the secondary conductors and services need not approach the primary conductors on the pole, making for a safer work method.

Many secondary-service installations on cross arms and on racks still exist and will continue to do so for a long time.

### Multispool Racks

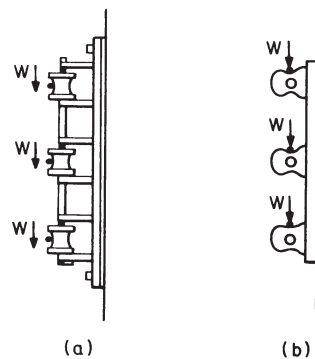
Racks, made of galvanized steel, are attached to the pole by one or more through bolts, some of which may be replaced by lag screws where loadings permit. The racks support insulators, spaced 6 or 8 in apart (although some may have a 4-in spacing), to which the conductors are attached. The conductors may be attached to a number of individual single-insulator racks, or to one rack containing several insulators. The insulators may be of the spool or knob type, as shown in Figure 10-6.

### Single-Spool Racks

Single-spool racks are also manufactured; on these, each insulator is bolted individually to the pole. While spool-type insulators are the more frequently used type, knob-type insulators are also used.

### Cabled Secondary Mains and Services

The rack has been supplanted in many instances by a single uninsulated clamp attached to the pole and supporting the secondary mains. Here, the conductors are cabled around a neutral wire, which also acts as a messenger wire carrying the conductors. A similar type of cabled conductor is used for services, with the neutral-messenger supporting the conductors from the pole to the consumer's premises.



**Figure 10-6. Typical secondary rack: (a) spool type; (b) knob type. (Courtesy McGraw Edison Co.)**

## INSULATORS

### Materials

Insulators, placed between energized conductors and the supporting structures, are now almost universally made of porcelain, although a great many glass insulators are still in service and will be for a long time. Fiberglass, epoxy, and other plastics are now beginning to be used in the manufacture of insulators.

#### *Glass*

Glass insulators, made in a variety of shapes and sizes, are electrically and mechanically adequate and very economical. Their usage, however, has been generally limited to circuits operating at voltages under 5 kV, principally because of their relatively (compared to porcelain) low resistance to shock and high coefficient of expansion. While the dielectric properties of glass may vary considerably depending on its particular treatment, its mechanical properties are reasonably consistent. Its tensile strength is usually less than 10,000 lb/in<sup>2</sup>; its minimum compressive strength is 50,000 lb/in<sup>2</sup>; its modulus of elasticity is 10,000,000 lb/in<sup>2</sup>; and its coefficient of expansion is 400 to 600 × 10<sup>-6</sup> per degree Fahrenheit, or 720 to 1080 × 10<sup>-6</sup> per degree centigrade.

Pyrex, a form of glass, partially overcomes the two deficiencies concerning shock and temperature changes, but its relatively high cost restricts its application generally to high-voltage transmission lines.

#### *Porcelain vs. Polymer*

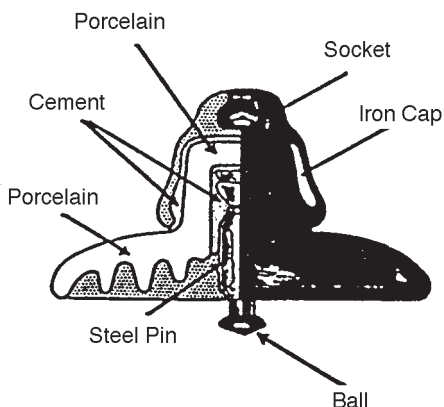
Porcelain is made from white clay to which powdered feldspar and silica are added. The material has greater (compared to glass) ability to resist sudden changes in temperature, and an external glaze protects it from shock. Depending on how insulators are manufactured, the tensile strength of the porcelain may vary from less than 2000 lb/in<sup>2</sup> to as much as 9000 lb/in<sup>2</sup>, and the corresponding minimum compressive strengths, from 15,000 to 60,000 lb/in<sup>2</sup>; its coefficient of expansion may be as low as 16.6 × 10<sup>-6</sup> per degree Fahrenheit, or 30 × 10<sup>-6</sup> per degree centigrade. The dielectric strength generally exceeds 16 kV/mm (16,000 kV/m), or some 400 kV/in.

Porcelain insulators are made by two processes: the "wet process," in which the insulation is molded, and the "dry process," in which the insulation is pressed into shape in steel molds. The dry-process insulator

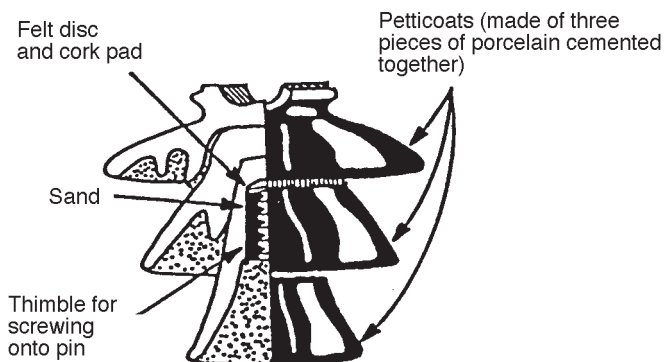
has less electrical and mechanical strength, but is also less expensive; it is more apt to puncture under electrical stress rather than to flash over. Dry-process insulators are more economical, however, and their use is generally limited to lower-voltage applications.

For many years, porcelain for insulation purposes on lines and equipment has exercised a virtual monopoly. It was perhaps inevitable that plastics, successful as insulation for conductors since the early 1950's, should supplant porcelain as insulation for other applications in the electric power field.

The positive properties of porcelain are chiefly its high insulation value and its great strength under compression. Its negative features are its weight (low strength to weight ratio) and its tendency to fragmentation under stress. Much of the strength of a porcelain insulator is consumed in supporting its own weight. Figure 10-7a&b.



**Figure 10-7 a. Ball and socket type suspension insulator.**



**Figure 10-7 b. Pin-type insulator.**

In contrast, the so-called polymer not only has equally high insulation value, but acceptable strength under both compression and tension. It also has better water and sleet shedding properties, hence handles contamination more effectively, and is less prone to damage or destruction from vandalism. It is very much lighter in weight than porcelain (better strength to weight ratio), therefore more easily handled. Figure 10-8, Table 10-4.

Economically, costs of porcelain and polymer materials are very competitive, but the handling factors very much favor the polymer.

Polymer insulation is generally associated with a mechanically stronger insulation, such as high strength fiberglass. The fiberglass insulation serves as an internal structure around which the polymer insulation is attached, usually in the form (and function) of petticoats (sometimes also referred to as bands, water shedders; but for comparison purposes, however, here only the term petticoat will be used). The insulation value of the Polymer petticoats is equal to or greater than that

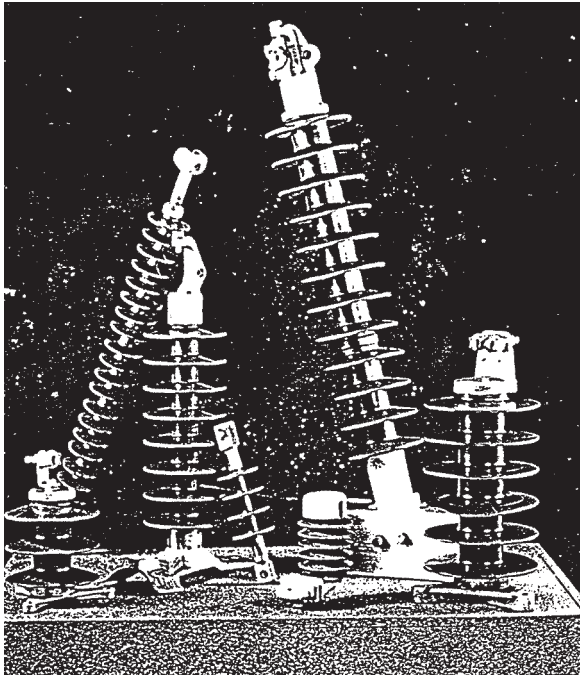


Figure 10-8. A variety of typical Polymer insulator shapes. (Courtesy Hubbell Power Systems)



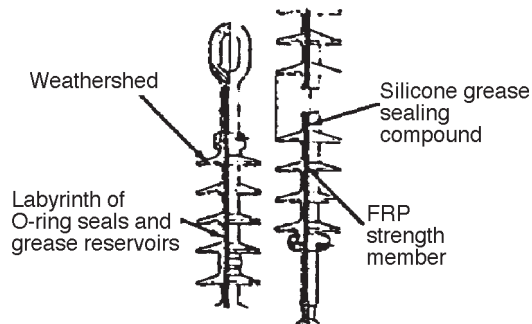
**Table 10-4. Polymer insulation weight advantage.**

<i>Product</i>	<i>Type (kV)</i>	<i>Porcelain Voltage (lbs)</i>	<i>Polymer Weight (lbs)</i>	<i>Percent Weight Reduction</i>	<i>Weight</i>
Insulator	Distribution	15	9.5	2.4	74.7
Arrester	Distribution	15	6.0	3.8	36.7
Post Insulator	Transmission	69	82.5	27.2	67.0
Suspension	Transmission	138	119.0	8.0	93.2
Intermediate					
Arrester	Substation	69	124.0	28.0	77.4
Station					
Arrester	Substation	138	280.0	98.9	64.7

of the fiberglass to which it is attached.

The internal fiberglass structure may take the form of a rod (or shaft), a tube, cylinder, or other shape. It has a high comparable compression strength as a solid and its tensile strength, equally high, is further improved by stranding and aligning around a fiber center. The polymer petticoats are installed around the fiberglass insulation and sealed to prevent moisture or contamination from entering between the petticoats and fiberglass; Figure 10-9. The metal fittings at either end are crimped directly to the fiberglass, developing a high percentage of the inherent strength of the fiberglass. It should be noted that fiberglass with an elastometric (plastic) covering has been used for insulation purposes since the early 1920's.

The polymer petticoats serve the same function as the petticoats associated with porcelain insulators, that of providing a greater path



**Figure 10-9. Polymer insulator showing fiberglass rod insulation and sealing (Courtesy Hubbell Power Systems).**

for electric leakage between the energized conductors (terminals, buses, etc.) and the supporting structures. In inclement weather, this involves the shedding of rain water or sleet as readily as possible to maintain as much as possible the electric resistance between the energized element and the supporting structure, so that the leakage of electrical current between these two points be kept as low as possible to prevent flashover and possible damage or destruction of the insulator. Tables 10-5a&b.

**Table 10-5a. Polymer improvement over porcelain (Courtesy Hubbell Power Systems)**

Voltage kV	Watts Loss Reduction* (watts per insulator string)				
	Relative Humidity				
	30%	50%	70%	90%	100%
69	0.6-	0.8	0.9	1.0	4.0
138	1.0	2.4	4.5	7.2	8.0
230	1.0	2.5	5.7	14.0	29.0
345	2.5	4.2	8.5	15.0	30.0
500	2.8	7.8	11.5	33.0	56.0

\*Power loss measurements under dynamic humidity conditions on I-strings.

When the insulator becomes wet, and especially in a contaminated environment, leakage currents begin to flow on the surface; if the current becomes high enough, an external flashover takes place. The rate at which the insulation dries is critical. The relationship between the outer petticoat diameter and the core is known as the form factor. The leakage current generates heat ( $I^2R$ ) on the surface of the insulator (eddy currents). In addition to the effects of the leakage current, the rate at which the petticoat insulation will dry depends on a number of factors. Starting with its contamination before becoming wet, the temperature and humidity of the atmosphere and wind velocity following the cessation of the inclement weather. In areas where extreme contamination may occur (such as some industrial areas or proximity to ocean salt spray), the polymer petticoats may be alternated in different sizes, Figure 10-9, to obtain

**Table 10-5b. Polymer Distribution Arrester Leakage Distance Advantage (Courtesy Hubbell Power Systems)**

<i>Standard MCOV</i>	<i>Standard Porcelain Leakage Distance (in)</i>	<i>Special Porcelain Height (inches)</i>	<i>Special Porcelain Leakage Distance (in)</i>	<i>Standard Porcelain Height (inches)</i>	<i>Standard Polymer Leakage Distance (in)</i>	<i>Polymer Height (inches)</i>
8.4	9.0	9.4	18.3	15.9	15.4	5.5
15.3	18.3	15.9	22.0	20.0	26.0	8.5
22.0	22.0	20.0	29.0	28.9	52.0	17.2

greater distance between the outer edges of the petticoats across which flashover might occur. When dry, the leakage current (approximately) ceases and the line voltage is supported across dry petticoats, preventing flashover of the insulator. It is obviously impractical to design and manufacture comparable porcelain insulators as thin as polymers and having the same form factor. Table 10-6.

Tested using the 5-hour uniform slurry test procedure. This test consists of applying a uniform coating of standard 400 ohm-cm slurry to the test arrester. Within 30 seconds, MCOV is applied for 15 minutes, during which time the surface leakage currents cause the surface to dry. Slurry applications are repeated for a total of 20 test cycles. After the 20th test cycle, MCOV is applied to the arrester for 30 to 60 minutes to demonstrate thermal stability. Surface leakage currents were measured at the end of the 5th, 10th, 15th and 20th test cycles.

In addition, in porcelain insulators, the active insulating segment is usually small and, when subjected to lightning or surge voltage stresses, may be punctured. In subsequent similar circumstances, it may break-down completely, not only causing flashover between the energized element and the supporting structure, but may explode causing porcelain fragmentation in the process; the one-piece fiberglass insulator will not experience puncture.

The polymer suitable for high voltage application consists of these materials:

1. Ethylene Propylene Monomer (EPM)
2. Ethylene Propylene Diene Monomer (EPDM)
3. Silicone Rubber (SR)

Both EPM and EPDM, jointly referred to as EP, are known for their inherent resistance to tracking and corrosion, and for their physical properties, SR offers good contamination performance and resistance to Ultra Violet (UV) sun rays. The result of combining these is a product that achieves the water repellent feature (hydrophobic) of silicone and the electromechanical advantages of EP rubber.

Different polymer materials may be combined to produce a polymer with special properties; for example, a silicone EPDM is highly resistant to industrial type pollution and ocean salt.

The advantageous strength to weight ratio of polymer as compared to porcelain makes possible lighter structures and overall costs as well

**Table 10-6. Comparison of Contamination Performance of Polymer versus Porcelain Housed Intermediate Class Arresters (Courtesy Hubbell Power Systems)**

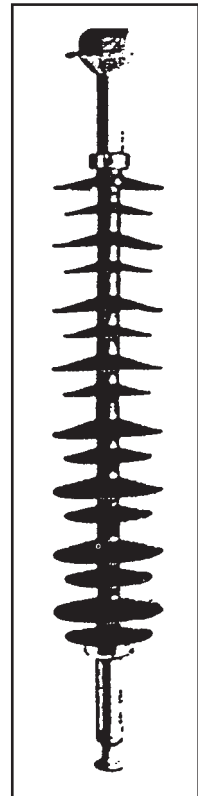
MCOV (kV)	Housing Material Distance (in)	Housing Leakage (mA crest)	Partial Wetting Test	5 Hr. Slurry Test Maximum Current After Slurry Number				
			Max. Current Temps. (°C)	Max. Disc.	5	10	15	20
57	Polymer	81	<1	<38	35	42	44	44
66	Porcelain	54	68	>163	—	—	—	—
84	Polymer	109	<1	<38	50	52	60	60
98	Porcelain	122.4	18	<82	143	160	175	185

as permitting more compact designs, resulting in narrower right-of-way requirements and smaller station layouts. The reduction in handling, shipping, packaging, storage, preparation and assembly, all with less breakage, are obvious—these, in addition to the superior electromechanical performance.

Fiberglass insulation with its polymer petticoats is supplanting porcelain in bushings associated with transformers, voltage regulators, capacitors, switchgear, circuit breakers, bus supports, instrument transformers, lightning or surge arresters, and other applications. The metallic rod or conductor inside the bushing body may be inserted in a fiberglass tube and sealed to prevent moisture or contamination entering between the conductor and the fiberglass tube around which the polymer petticoats are attached. More often, the fiberglass insulation is molded around the conductor, and the polymer petticoats attached in a similar fashion as in insulators. Figure 10-10.

Lightning or surge arrester elements are enclosed in an insulated casing. Under severe operating conditions, or as a result of multiple operations, the pressure generated within the casing may rise to the point where pressure relief ratings are exceeded. The arrester then may fail, with or without external flashover, exploding and violently expelling fragments of the casing as well as the internal components, causing possible injury to personnel and damage to surrounding structures. The action represents a race between pressures building up within the casing and an arcing or flashover outside the casing. The 'length' of the casing of the arrester limits its ability to vent safely. The use of polymer insulation for the casing permits puncturing to occur, without the fragmentation that may accompany breakdown and failure of porcelain.

Summarizing, the advantages of polymers over porcelain include:



**Figure 10-10. Polymer insulator arrangement areas of high contamination where flashover between petticoat edges is possible (Courtesy Hubbell Power Systems)**

- Polymer insulation offers benefits in shedding rain water or sleet, particularly in contaminated environments.
- Polymer products weigh significantly less than their porcelain counterparts, particularly line insulators, resulting in cost savings in structures, construction and installation costs. Table 10-7.
- Polymer insulators and surge arresters are resistant to damage resulting from installation and to damage from vandalism. The lack of flying fragments when a polymer insulator is shot deprives the vandal from his satisfaction with a spectacular event and should discourage insulators as convenient targets.
- Polymer arresters allow for multiple operations (such as may result from station circuit reclosings), without violently failing. Figure 10-11.
- Polymer insulators permit increased conductor (and static wire) line tensions, resulting in lower construction designs by permitting longer spans, fewer towers or lower tower heights.
- Polymer one-piece insulators, lacking the flexibility of porcelain strings and the firm attachment of the conductor it support are said to produce a tendency to dampen galloping lines.

Although polymer insulation has become increasingly utilized over the past several decades, there are literally millions of porcelain insulated installations in this country alone; economics does not permit their wholesale replacement. Advantage is taken of maintenance and reconstruction of such facilities to make the change to polymers.

Much of the data and illustrations are courtesy of Hubbell Power systems, and is herewith duly acknowledged with thanks.

### **Pin-Type**

Pin-type insulators may be constructed in one piece for voltages to about 35 kV and in two or three pieces from that voltage to 69 kV. They are shaped with a groove on top in which the conductor lies and is tied in place; they may also have a groove around the sides in which the conductor is placed and tied. The side groove is generally used where

**Table 10-7. Example—10 Miles, 345 kV, 250 Strings of Insulators**

Porcelain -	4500 bells, 52-3, 13.5 lbs. ea., total 60,760 lbs. 750 crates at 3.1 cu. ft. = 2,325 cu. ft. Insulator cost = \$51.760 (\$11.60/bell)
Polymers -	250 units, 14.4 lbs. ea., total 3 600 lbs. 5 crates at 75 cu. ft. = 375 cu. ft. Insulator cost = \$51.750

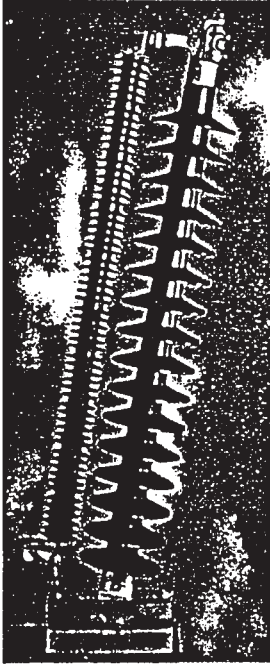
Savings

1. Storage space at receiving point (3 mos.) porcelain - 580 sq. ft.; polymer - 100 sq. ft.....	480 sq. ft.	\$ 60.00
2. Off-load, re-load at receiving point; porcelain - 10 man-hrs.; polymer - 2 man-hrs.....	8 man-hrs.	\$120.00
3. Breakage - off-loading, storage; re-load- porcelain - 1 percent; polymer - 0.....	1 percent	\$517.50
4. Truck - receiving point to tower sites (5 miles); porcelain- 1.00/cwt.; polymer .50/cwt .....	\$589.50	\$589.50
5. Off load at tower site porcelain - 5 man-hrs.; polymer - 1 man-hr.....	4 man-hrs.	\$60.00
6. Unpack at tower site; porcelain - 50 crates/hour, 25 man-hrs.; polymer - 50 insulators/hour, 5 man-hrs.....	20 man-hrs.	\$300.00
7. Breakage - off-loading through string assembly & cleaning porcelain - 1 percent; polymer - 0.....	1 percent	\$517.50
8. Assemble strings, attach blocks porcelain - 40 man-hrs.; polymer - 8 man-hrs.....	32 man-hrs.	\$480.00
9. Clean insulators; porcelain-10 min./string; polymer - 3 min./string.....	29 man-hrs.	\$435.00
10. Lift string into place (2 men); porcelain - 5 min./string; polymer - 2 min./string.....	25 man-hrs.	\$375.00
11. Install & connect to tower (2 men); porcelain - 5 min./string polymer - 2 min./string.....	25 man-hrs.	\$375.00
12. Breakage - lifting & installation; porcelain - 0.5 percent; polymer - 0.....	0.5 percent	\$258.75
13. Cleanup packaging materials at jobsite; porcelain - 6 man-hrs.; polymer - 1.5 man-hrs.....	4.5 man-hrs.	\$67.50

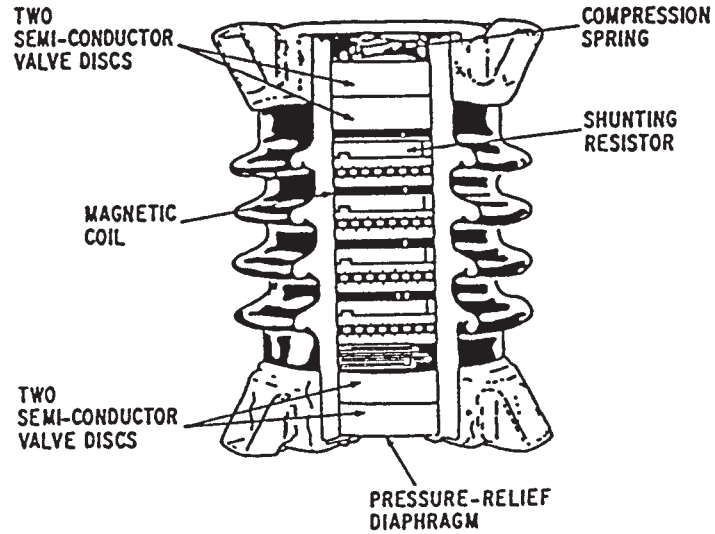
(Courtesy Hubbell Power Systems)



Figure 10-11. Polymer and porcelain cased arresters.



Polymer insulated  
intermediate type  
arrester

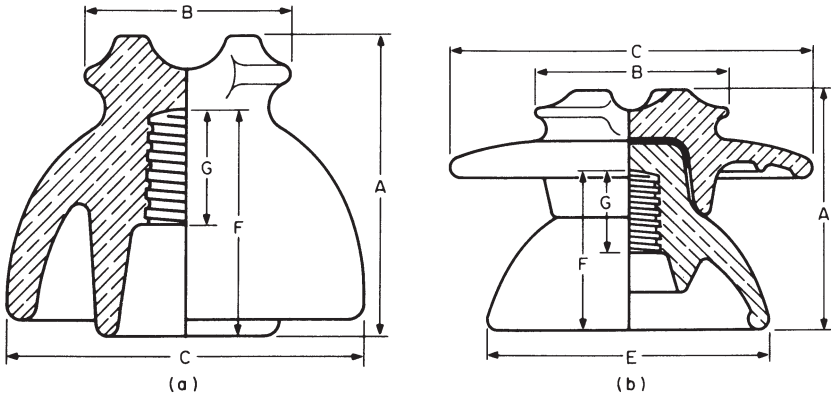


Cross-section of porcelain cased arrester

the line turns and the conductor imposes strains on the side. Both glass and porcelain insulators are shaped so as to provide a long path from the line conductor to the point of support where the insulator is screwed to the pin, usually considered a ground. Several ridges on the underside extend this path so that, figuratively, the insulator may be described as having an outside skirt and a number of inner petticoats; see Figure 10-12. Though constructed in a variety of shapes, colors, and ratings, all types of pin insulators share a common standard in the diameter, shape, and number of insulator threads per inch, a standard that matches that of the pins with which they are usually associated.

**Post-Type**

The post-type insulator is a variation of the pin-type insulator, in which the porcelain is shaped into a cylindrical block with its surface corrugated horizontally to provide a long path from the conductor to



	Max.	Min.
A .....	4 1/2	3 1/4
B .....	3	2 1/2
C .....	6 1/2	4 1/4
F .....	3 3/8	2 3/8
G .....	2	1 1/2

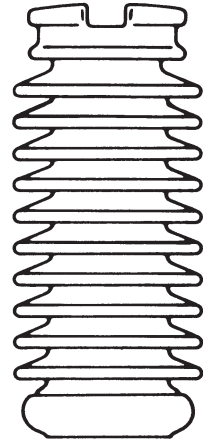
	Max.	Min.
A .....	6	5 3/8
B .....	5	4 1/2
C .....	9	9
E .....	7	7
F .....	4 1/8	3 3/4
G .....	2	1 7/8

**Figure 10-12. Typical pin-type porcelain insulators: (a) one-piece 11- to 15-kV pin insulator; (b) two-piece 33-kV pin insulator. (From *Overhead Systems Reference Book*.)**

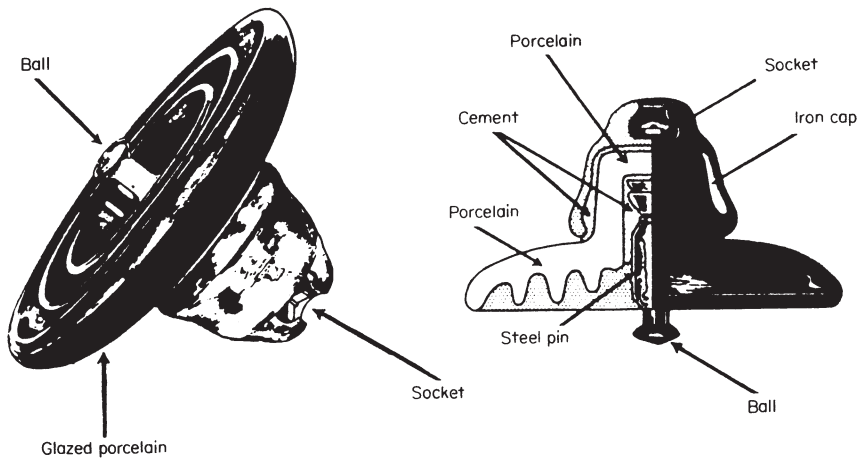
the point of support; grooves for the attachment of the conductor are provided at the top of the insulator; see Figure 10-13.

### Suspension- or Strain-type

The suspension- or strain- (or string-) type insulator consists of a porcelain disk contained between a ball-and-socket (or clevis-and-pin, or other) arrangement so that the porcelain is in compression; each disk has certain electrical and mechanical characteristics. The ball-and-socket arrangement permits units to be added to each other in a string, thus accommodating higher voltages. Several such strings can be connected mechanically in "parallel" to achieve necessary strength requirements. Disks vary in diameter from about 5 to 10 in, with standard vertical distances between ball and socket (or other components) of 41 and 51 in, and are rated for an allowable tension of 12,000 lb. See Figure 10-14.



**Figure 10-13. Typical post-type porcelain insulator. (Courtesy Ohio Brass Co.)**



**Figure 10-14. Typical suspension or strain-type porcelain insulator. (Courtesy Locke Insulator Co.)**

**Spool-type**

Spool-type insulators are used with secondary racks or in service brackets to support secondary mains and services; they come in two different sizes and colors for identification purposes. See Figure 10-15.

**Strain-ball Type**

The strain-ball insulator is generally employed in guys to insulate the upper part from the lower part; the lower part is insulated to protect people on the ground, while the upper part is insulated from the ground to protect the lineman on the pole. In some instances involving wye circuits with a common primary and secondary grounded neutral, this insulator is sometimes not inserted in the guy wire. The insulator consists of a ball or block of porcelain in which two transverse holes at right angles to each other contain the guy wires so arranged that the porcelain is always under compression. See Figure 10-16. This type of insulator is also used to dead-end smaller conductors at the cross arm where the operating voltage is less than 5000 V.

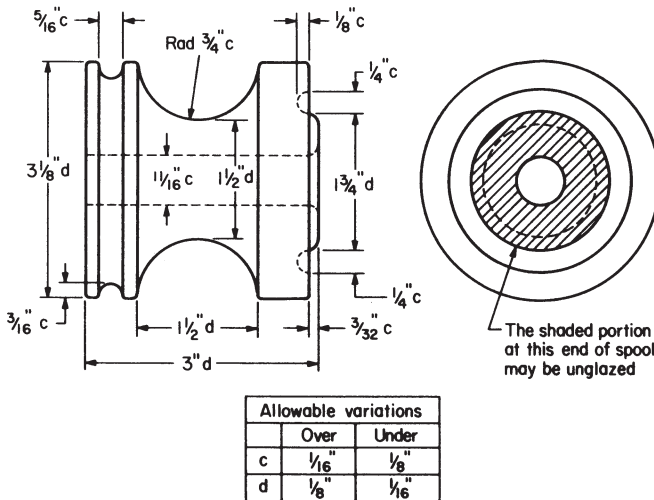
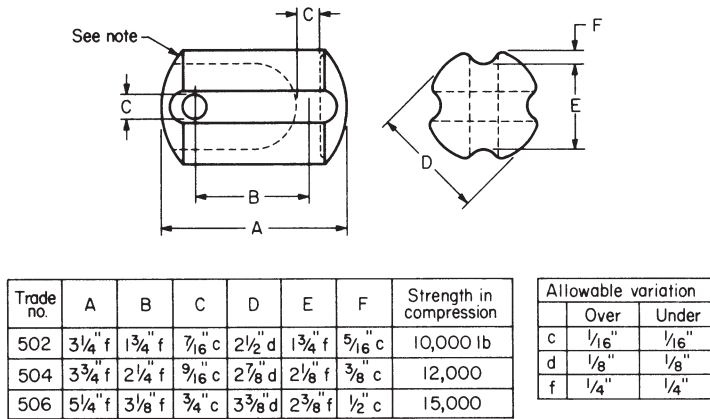


Figure 10-15. Typical spool porcelain insulator for secondary rack. Material: porcelain. Finish: brown glazed. (From *Overhead Systems Reference Book*.)



**Figure 10-16. Typical strain-ball-type porcelain insulator. Material: porcelain, wet process. Finish: brown glazed. Note: One end of insulator may be unglazed. (From *Overhead Systems Reference Book*.)**

**Other Types**

Other insulator types include the knob types sometimes used with secondary racks, previously described; and various other shapes for use as bushings, bus and service supports, and other specific purposes. Where porcelain is used, it is always designed to be under compression.

**TEST VOLTAGES**

Nominal ratings of insulators include not only their operating voltage, but flashover values as well. Flashover values depend in general on the leakage distances provided between the conductor and the point of attachment to the support. These values, however, may be subject to other factors, including local atmospheric and environmental conditions, types of support, maintenance programs, etc. Typical minimum flash-over voltage values are contained in Table 10-8.

Table 10-8. Typical flashover voltage requirements.

<i>Nominal voltage (between phases), kV</i>	<i>Minimum rated dry flashover voltage of insulators, kV*</i>
0.75	5
2.4	20
6.9	39
13.2	55
23.0	75
34.5	100
46.0	125
69.0	175

\*Interpolate for intermediate values.  
 For current industry recommended values, refer to the latest revision of the National Electric Safety Code.

## APPENDIX 10A

# Concrete Distribution Poles: Representative Specifications\*

### SCOPE

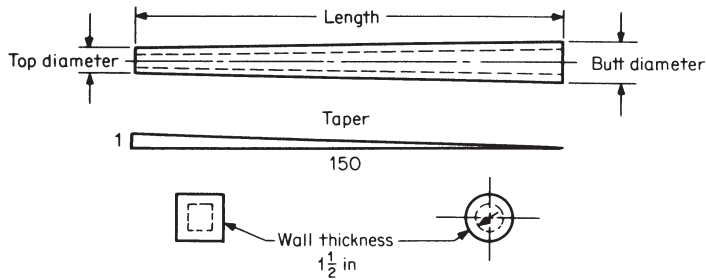
These specifications apply to the manufacture of machine-made, pretensioned, prestressed concrete distribution poles, designed in accordance with recommendations of the American National Standards Institute (ANSI).

### SHAPE

The poles shall be single, hollow, round or square cross section, with a taper of 1 to 150. They shall have a uniform nominal wall thickness of 1-1/2 in as shown in Figure 10-17.

---

\*Adapted from data furnished by Centrecon, Inc., and by Concrete Products, Inc.



**Figure 10-17. Typical reinforced concrete hollow distribution pole. (Adapted from Centrecon, Inc.)**

## DIMENSIONS AND STRENGTH

### Round Poles

The dimensions and strength of the round poles shall be as shown in Table 10-9. The poles shall be grouped into seven classes based on the design ultimate strength as given in Table 5-22 in Chapter 5.

### Square Poles

The dimensions and strength of the square poles shall be as shown in Table 10-10.

### Ultimate Strength

The design ultimate strengths are determined to meet the working strength requirement of wood poles in accordance with the *ASA Specifications and Dimensions for Wood Poles*. The factor of safety of 2 shall be used for prestressed concrete poles.

## COLORS AND FINISHES

The poles shall be furnished in colors and finishes specified by the buyer. Colors shall be white, gray, buff, green, brown, and black. Finishes shall be Mold Finish; Natural Aggregate, exposed or polished; or Terrazzo Aggregate, exposed or polished. Other finishes will be furnished on request.

Table 10-9. Dimensions and strengths round hollow concrete poles.

Overall length		Class	Setting depth, ft-in	Top diameter, in	Butt diameter, in	Design ultimate moment, ft · lb	Allowable moment—SF = 2, ft · lb	Nominal weight, lb
m	ft-in							
12	39-4	A	5-11	7½	13½	100,530	50,260	2540
13	42-8	A	6-3	7½	14½	110,130	55,060	2830
14	45-11	A	6-7	7½	14½	119,470	59,730	3130
15	49-2	A	6-11	7½	15½	128,800	64,400	3470
16	52-6	A	7-3	7½	15½	138,400	69,200	3800
12	39-4	B	5-11	7½	13½	84,830	42,410	2480
13	42-8	B	6-3	7½	14½	92,930	46,460	2760
14	45-11	B	6-7	7½	14½	100,800	50,400	3060
15	49-2	B	6-11	7½	15½	108,680	54,340	3380
16	52-6	B	7-3	7½	15½	116,780	58,390	3710
9	29-6	C	4-11	6½	11½	50,810	25,400	1520
10	32-10	C	5-3	6½	11½	57,560	28,780	1770
11	36-1	C	5-7	6½	12½	64,130	32,060	2010
12	39-4	C	5-11	7½	13½	70,690	35,340	2430
13	42-8	C	6-3	7½	14½	77,440	38,720	2710
14	45-11	C	6-7	7½	14½	84,000	42,000	3000
15	49-2	C	6-11	7½	15½	90,560	45,280	3310
16	52-6	C	7-3	7½	15½	97,310	48,650	3640
9	29-6	D	4-11	6½	11½	41,780	20,890	1490
10	32-10	D	5-3	6½	11½	47,330	23,660	1720
11	36-1	D	5-7	6½	12½	52,730	26,360	1960
12	39-4	D	5-11	7½	13½	58,120	29,060	2390
13	42-8	D	6-3	7½	14½	63,670	31,840	2670
14	45-11	D	6-7	7½	14½	69,070	34,540	2960
15	49-2	D	6-11	7½	15½	74,460	37,230	3260
16	52-6	D	7-3	7½	15½	80,010	40,000	3570
9	29-6	E	4-11	6½	11½	33,870	16,930	1470
10	32-10	E	5-3	6½	11½	38,370	19,180	1700
11	36-1	E	5-7	6½	12½	42,750	21,370	1930
12	39-4	E	5-11	7½	13½	47,130	23,560	2360
13	42-8	E	6-3	7½	14½	51,630	25,810	2640
14	45-11	E	6-7	7½	14½	56,000	28,000	2930
15	49-2	E	6-11	7½	15½	60,380	30,190	3220
16	52-6	E	7-3	7½	15½	64,880	32,440	3530
9	29-6	F	4-11	6½	11½	27,100	13,550	1460
10	32-10	F	5-3	6½	11½	30,700	15,350	1680
11	36-1	F	5-7	6½	12½	34,200	17,100	1920
12	39-4	F	5-11	6½	13	37,700	18,850	2160
13	42-8	F	6-3	6½	13½	41,300	20,650	2410
14	45-11	F	6-7	6½	14½	44,800	22,400	2680
15	49-2	F	6-11	6½	14½	48,300	24,150	2960
9	29-6	G	4-11	6½	11½	21,450	10,720	1460
10	32-10	G	5-3	6½	11½	24,300	12,150	1670
11	36-1	G	5-7	6½	12½	27,080	13,540	1900
12	39-4	G	5-11	6½	13	29,850	14,920	2150
13	42-8	G	6-3	6½	13½	32,700	16,350	2400
14	45-11	G	6-7	6½	14½	35,470	17,730	2660
15	49-2	G	6-11	6½	14½	38,240	19,120	2930

Courtesy Centrecon, Inc.



Table 10-10. Dimensions and strengths—square hollow concrete poles.

Overall pole length, ft	Pole size—tip/butt, in	E.P.A., ft <sup>2</sup>		Ultimate ground-line moment, ft · lb	Breaking strength load 2 ft. below tip, lb	Deflection per 100 ft · lb, in	Deflection limitations, ft · lb	Pole weight, lb
		Concrete strength, lb/in <sup>2</sup>						
		6000, standard	7000, when specified					
25	7.6/11.65	43.3	45.3	84,000	4540	0.03	4100	2260
30	7.6/12.46	38.7	40.7	132,000	5740	0.03	5000	2880
35	7.6/13.27	33.8	36.2	147,000	5350	0.03	5900	3600
40	7.6/14.08	29.4	31.7	163,000	5090	0.03	6800	4370
45	7.6/14.89	25.7	28.1	178,000	4880	0.06	3850	5225
50	7.6/15.70	22.3	24.7	193,000	4710	0.06	4300	6160
55	7.6/16.51	19.1	21.7	209,000	4590	0.06	4750	7270

**Glossary of Terms**

**E.P.A.** Effective projected area, in square feet of transformers, capacitors, streetlight fixtures, and other permanently attached items which are subject to wind loads.

**Concrete strength** This is a reference to the compressive strength of the concrete in pounds per square inch as measured by testing representative samples 28 days after casting.

**Ultimate ground-line bending moment** This is the bending moment applied to the pole which will cause structural failure of the pole. This is the result of multiplying the load indicated in the column Breaking Strength by a distance 2 ft less than the pole height (i.e., 2 ft less than the length of pole above ground). Figures under Ultimate Ground-Line Moment assume embedment of 10 percent of the pole length plus 2 ft. The figures in this column on technical charts are maximum moments expected to be applied to the pole. Appropriate safety factors should be used by the designer.

**Breaking strength** This is the approximate load which, when applied at a point 2 ft below the tip of the pole, will cause structural failure of the pole.

**Ground line** The point at which an embedded pole enters the ground or is otherwise restrained.

**Deflection** The variation at the tip of the pole from a vertical line resulting from the application of loads such as equipment, wind, ice, etc.

**Ground-line bending moment** The product of any load applied at any point on the pole multiplied by its height above ground line.

**Dead loads** This refers to the load on a pole resulting from the attachment of transformers and other equipment permanently.

**Live loads** These are loads applied to the pole as a result of wind, ice, or other loads of a temporary nature.

## MATERIALS

### Cement

The cement used for the concrete shall be portland cement, type I, II, or III, conforming to ASTM designation C-150.

### Aggregates

The concrete shall be made with fine and coarse aggregates conforming to ASTM designation C-33.

The fine aggregates shall be graded from 3/8 in to no. 100 sieve, with 100 percent passing the 3/8-in sieve and not more than 10 percent passing the no. 100 sieve.

The maximum-size coarse aggregate shall not exceed one-fifth of the minimum dimension of the member nor three-fourths of the clear spacing between the prestressed wires. The maximum size of coarse aggregate to be used shall conform to the smaller of the two limitations mentioned above.

### Water

The water used for mixing concrete shall be clean and free of injurious quantities of substances (acid, alkalines, oil, and vegetable matter) deleterious to concrete or to prestressing steel.

### Admixture

The admixture used for the concrete shall conform to ASTM C-494, and shall not contain more than a trace of calcium chloride.

### Reinforcement

The prestressing steel wire shall conform to ASTM A-421 with the strengths as noted in the following table.

<i>Diameter</i>	<i>Yield strength</i>	<i>Tensile strength</i>
9 mm (0.354 in)	192,000 lb/in <sup>2</sup>	220,500 lb/in <sup>2</sup>
7 mm (0.276 in)	177,000 lb/in <sup>2</sup>	206,200 lb/in <sup>2</sup>

The reinforcing steel wire used for main reinforcement and spiral reinforcement shall conform to ASTM A-82.

**Embedded Materials**

The embedded materials, such as sleeves for through holes, sockets for step bolts, and other inserts, will be corrosion-resistant and weather-proof.

**GENERAL REQUIREMENTS****Design Ultimate Strength**

The design ultimate strength for each class of pole shall be as given in Table 5-22 (in Chapter 5) for round poles and in Table 10-6 for square poles.

**Through Holes**

The through-hole spacing and sizes for framing shall be as shown in Figure 10-18a, b, and c for round poles and Figure 10-19 for square poles.

**Step Bolts**

Each pole may have provisions (if specified) for installing step bolts to gain access to, and perform work on, the poles as shown in Figure 10-18a, b, and c as well as Figure 10-19.

**Grounding Wire Exits**

The grounding wire exits shall be as shown in the specifications. Fish wire shall be attached to poles at the time of manufacture to facilitate ease in installation of grounding wire.

**Pole Cap**

Each pole shall have permanently attached to its top an insulating pole cap. This cap shall be constructed of a nonconductive material that will not become conductive during its service life.

**Butt Cap**

Each pole manufactured under this specification shall have permanently attached thereto a concrete butt cap.

**Cable Entrance**

These poles shall be furnished with cable entrance opening, hand hole, and hollow core or PVC raceway for use with underground wiring.

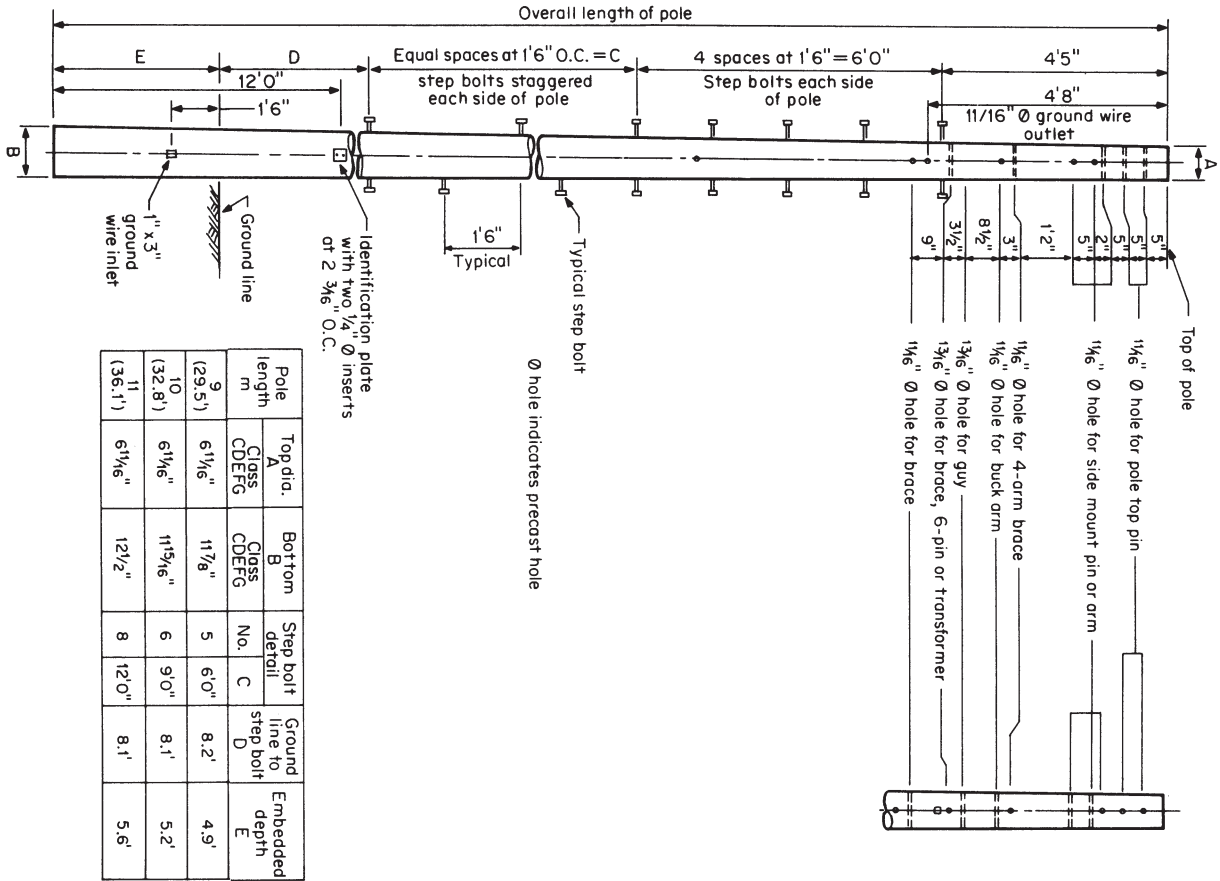


Figure 10-18a. Reinforced concrete round hollow distribution pole. Pole steps optional. Use of top third of upper part of pole. (Courtesy Centrecon. Inc.)

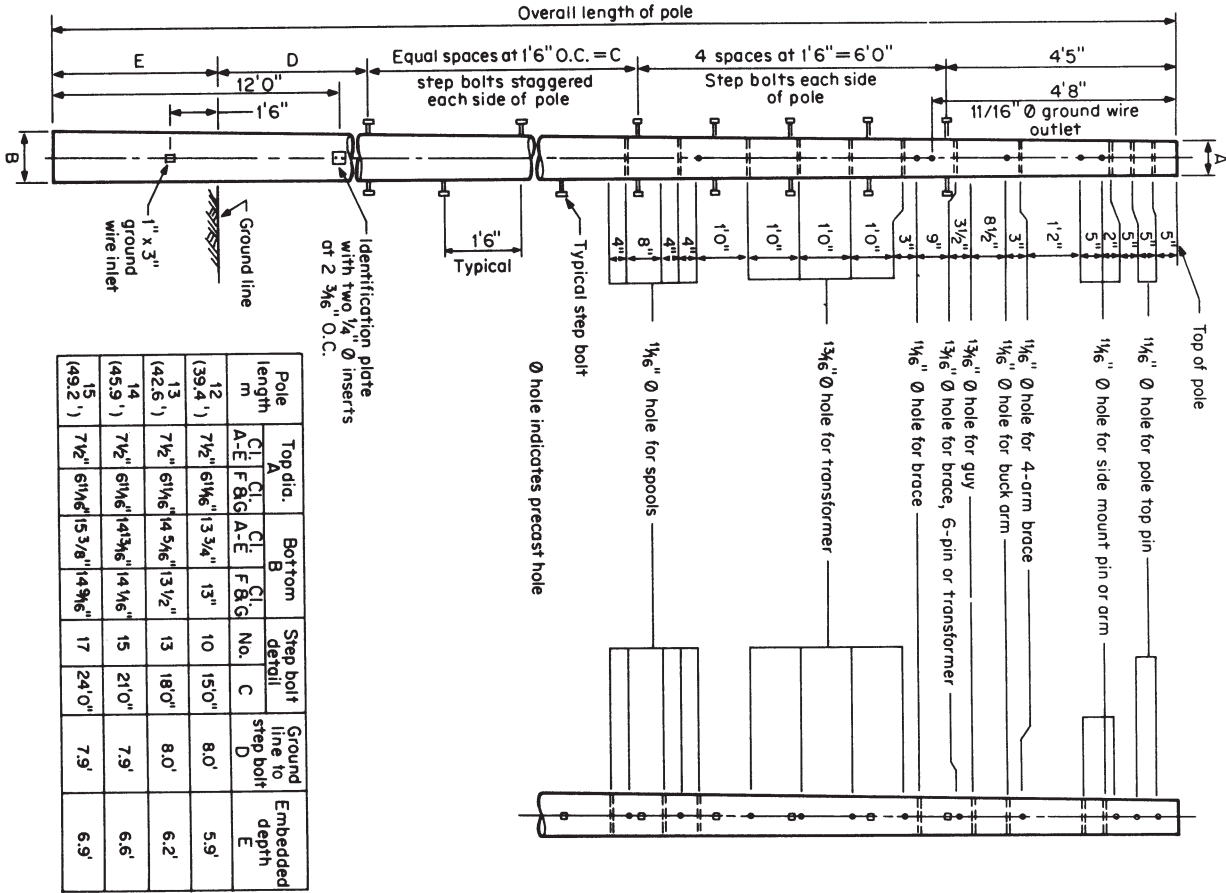


Figure 10-18b. Reinforced concrete round hollow distribution pole. Pole steps optional. (b) Use of top two-thirds upper part of pole. (Courtesy Centrecon, Inc.)

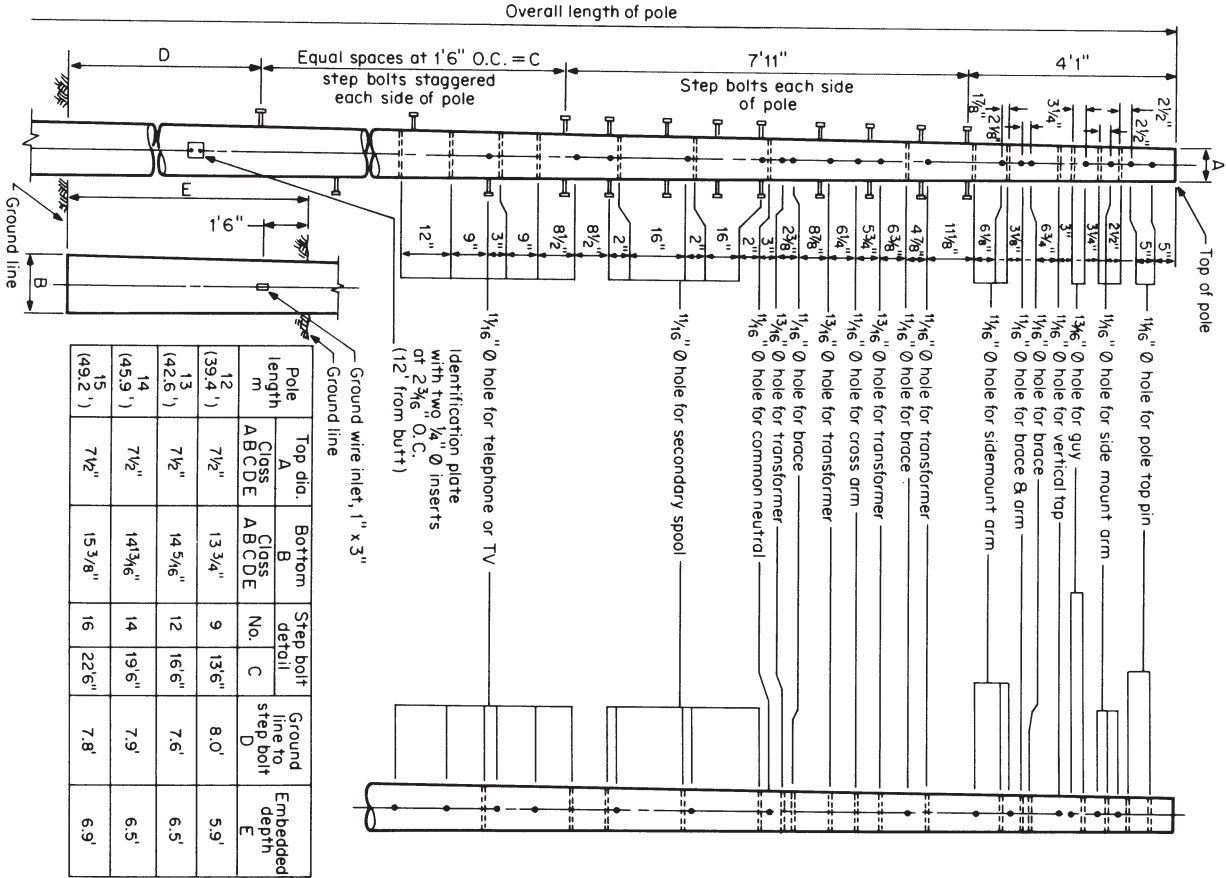


Figure 10-18c. Reinforced concrete round hollow distribution pole. Pole steps optional. (b) Use of top full upper part of pole. (Courtesy Centrecon, Inc.)

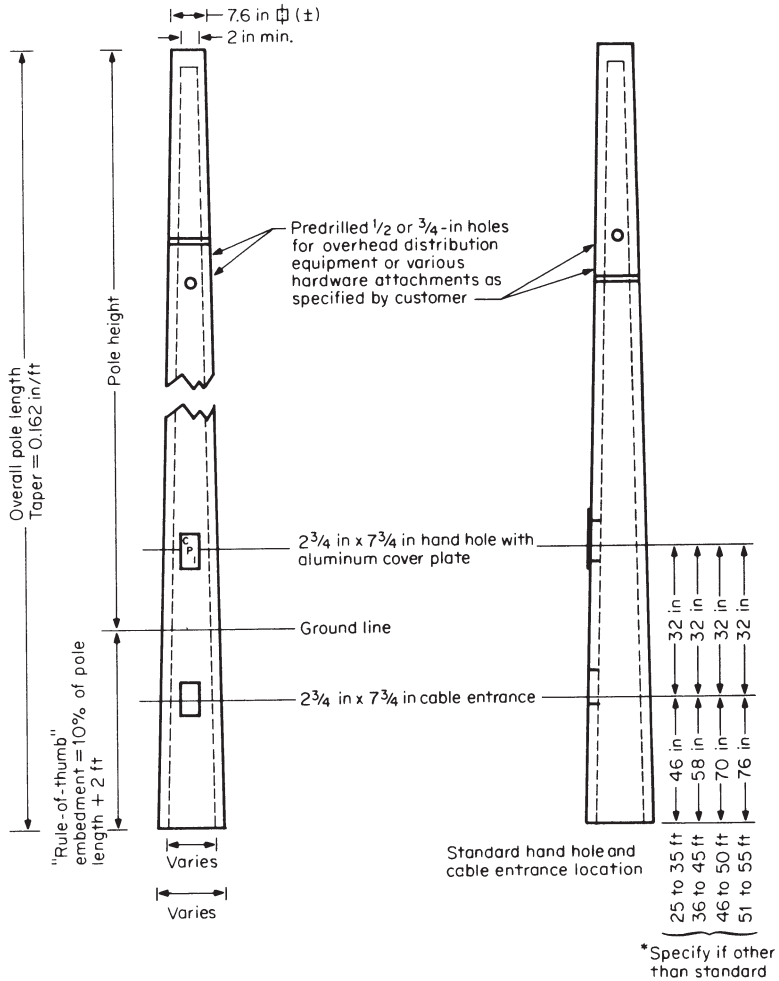


Figure 10-19. Reinforced concrete square hollow distribution pole. (Courtesy Concrete Products, Inc.)

## MANUFACTURE

### **Placement of Steel Reinforcement**

All prestressing steel and reinforcing steel shall be accurately positioned and satisfactorily protected against the formation of rust or other corrosion prior to placement to the concrete.

All prestressing steel shall be free of loose rust, dirt, grease, oil, or other lubricants or substances which might impair its bond with the concrete.

All unstressed reinforcing steel shall be free of loose rust, dirt, grease, oil, or other lubricants or substances which might impair its bond with the concrete.

Spiral reinforcement shall have a minimum size of gauge no. 11 with 6-in pitch, or equivalent steel ratio in volume, and shall be mechanically welded to the unstressed reinforcement.

The amount of concrete cover on the outside of the major steel reinforcement shall be not less than 5/8 in.

### **Embedded Items**

Sleeves, sockets, inserts, or other embedded items shall be accurately set in the molds and secured to prevent movement during the concrete placing process. They shall be cast in the concrete so that the axis of the insert is normal to the outside surface of the pole. Particular care shall be used to insure proper cover on all embedded items.

### **Mixing Concrete**

The proportions of water to cement shall produce a concrete after steam curing having a minimum compressive strength of 3500 lb/in<sup>2</sup>. A minimum 28-day compressive strength of 6000 lb/in<sup>2</sup> after atmospheric curing shall be required.

Concrete shall be mixed until there is a uniform distribution of the materials and shall be discharged completely before the mixer is recharged.

### **Placing Concrete**

#### *Round Poles*

The poles shall be formed and compacted by centrifugal force in a machine of suitable type so designed that the molds may be revolved at the required speed to insure distribution and dense packing of the concrete without the creation of voids behind the reinforcing steel.



Metal molds shall be used which shall be adequately braced and stiffened against deformation under pressure of the wet concrete during spinning. They shall also be sufficiently rigid to take the prestressing force without allowing deformation, which will reduce the spinning speed.

Filling the mold and spinning shall be a continuous operation and the spinning shall take place before any of the concrete in the mold has taken an initial set. Excess water forced to the center of the mold during the spinning cycle must be drained in a suitable manner.

### *Square Poles*

Square poles shall be cast in steel molds which are true to shape and line.

Concrete shall be poured in one continuous operation while being vibrated with high-frequency vibration to achieve consolidation and insure high density.

### **Applying Prestressing Force**

The initial prestressing force shall be the smaller of 70 percent of tensile strength or 80 percent of yield strength. Tensioning shall be carried out in such a manner that the initial prestressing force shall vary no more than  $\pm 5$  percent from design value.

### **Concrete Curing**

The poles shall be cured with low-pressure steam for as long as necessary to reach the strength required by the design for transfer of prestressing force.

Prior to the application of heat, a minimum initial setting period of 2 h is required. The rate of rise of temperature shall not exceed 20°F per hour during the second 2 h of the curing cycle nor 60°F per hour during the third 2 h. The maximum temperature shall not exceed 175°F. Fresh concrete shall be protected so as to be free from rain, hot sun, or wind and rapid loss of moisture prior to the start of the steam-curing cycle. Temperature and moisture for each steam-curing cycle shall be continuously controlled and recorded to ensure the adequate curing of the concrete.

### **Concrete Testing**

Samples for strength tests of concrete shall be taken not less than once each day in accordance with ASTM C-172. Standard 4- × 8-in test

cylinders shall be used to insure the required strength of products. Standard cylinders for acceptance tests shall be molded and laboratory-cured in accordance with ASTM A-39. Each strength test shall be performed at 1, 7, and 28 days after casting. The strength level of the concrete will be considered satisfactory if the averages of all sets of two consecutive strength test results equal or exceed the required strength and if no individual strength test result falls below the required strength by more than 500 lb/in<sup>2</sup>.

### **Bending Test**

A bending strength test of a pole shall be performed in order to assure that the pole meets the minimum structural strength requirements in accordance with specifications.

### **Manufacturing Tolerance**

1. Length:  $\pm 3/8$  in per 10 ft of length
2. Outer dimension:  $+3/16$  in,  $-1/8$  in
3. Wall thickness:  $-1/8$  in
4. Deviation from straight line: not more than  $1/8$  in per 10 ft of length
5. Location of reinforcement: main reinforcement cover,  $\pm 1/8$  in; spacing of spiral,  $+ 1/4$  in
6. Location of embedded items:  $\pm 1/8$  in

### **Workmanship**

All poles shall be unpolished but free of burrs, chips, holes, excess cement, and other surface irregularities. All poles shall present a straight and symmetrical appearance after erection. Crooks, curvatures, and twisting edges shall be prohibited. All raceway openings to cable entrance and hand holes shall be free of burrs, cement, or aggregate. Any surface roughness or obstructions that would injure or harm the insulation of electrical cables under normal installation or operating procedures will be prohibited.

### **Quality Control**

Manufacturing procedures and quality control shall follow the recommendations of the Prestressed Concrete Institute.

*This page intentionally left blank*

## *Chapter 11*

# **Transformers, Cutouts, and Surge Arresters**

### TRANSFORMERS

The transformer, one of the most efficient pieces of electrical apparatus (usually better than 98.5 percent efficient), having no moving parts, transfers electric power from one circuit to another magnetically; in the process, it enables changes to be made in the voltage (and current) output. It is this latter characteristic that has enabled the development of economically feasible ac systems.

While output voltage values may thus be stepped up (at power plants and transmission substations), they can also be stepped down to values suitable for distribution purposes. The first such transformation takes place at the distribution substation, where incoming transmission line voltages are stepped down to primary feeder voltage values. A second transformation takes place at the distribution transformer connected to the primary feeder; here, the voltage is further reduced to values suitable for utilization at the consumer's premises.

#### **Main Parts**

Transformers consist essentially of two windings, insulated from each other, wound around a common core usually made of steel and having excellent magnetic properties. The assembly is contained in a steel tank and submerged in an insulating coolant, usually an oil of high dielectric strength. The electric leads connecting the coils to their respective circuits are passed through the tank by bushings made of porcelain or plastics. The dielectric values of the insulations of the several components are deliberately so scaled between them that voltage surges which may cause damage will cause failure to occur at the bushings, a point which can be readily discovered and repaired or replaced at relatively minor cost. More detailed discussion of this insulation coordination is contained in Chapter 4.

### Core Types

Cores may be of the *shell* type or *core* type. In the first, the steel core surrounds the windings; though providing a better magnetic circuit, the units become larger and heavier, and are usually restricted to the larger-size transformers generally found in substations and in underground network units; they are usually polyphase units.

In the core type, the windings surround the steel core, resulting in a more compact, smaller unit, generally more suitable for the sizes of transformers associated with overhead and radial primary distribution systems; these are almost always single-phase units.

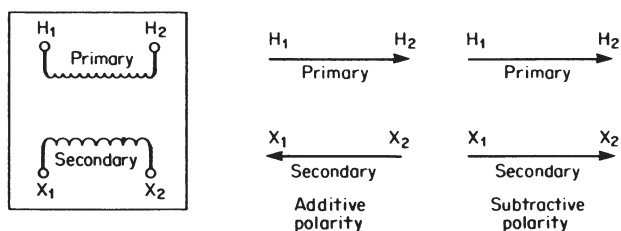
### Windings

Windings are usually designed to have the requisite number of turns take up the minimum amount of space, to sustain the forces set up when large or short-circuit currents flow in them, and to allow space for the cooling medium to transfer the heat created to the tank and atmosphere. They are also designed electrically to produce an optimum combination of  $I^2R$  losses and  $IZ$  impedance drops ( $IR$  resistance and  $IX$  reactance voltage drops).

In core-type transformers, the low-voltage winding is usually placed next to the core and the primary winding outside and next to the secondary winding, requiring only one high-voltage insulation between the two windings and the core. In shell-type transformers, the primary and secondary windings consist of a number of pancake-shaped coils connected in series, but the primary and secondary "pancake coils" are placed alternately around the core; the arrangement reduces the reactance between windings and provides better cooling paths for heat dissipation.

### Polarity

In a transformer, the vector relationship between the primary and secondary voltages depends on the way the windings are wound in relation to each other. To identify this relationship, if both windings are connected in series, as in an autotransformer, the voltage in the secondary can add to or subtract from the primary voltage. Where the primary and secondary voltage vectors are in opposite directions, the transformer is said to have *additive* polarity; where the vectors are in the same direction, the transformer is said to have *negative* or *subtractive* polarity. These polarities are shown in Figure 11-1.



**Figure 11-1. Polarity of a transformer.**

Since transformers are connected in parallel with each other, or in polyphase banks, it is essential that the terminals be connected so that the proper voltage relationships ensue. The polarity marks or designations provide the means of accomplishing this. Primary terminals are marked  $H_1, H_2, H_3$ , etc., while the secondary terminals are marked  $X_1, X_2, X_3$ , etc. See Figure 4-6a through k in Chapter 4 for transformer connections using these markings. In these standardized designations, the  $H_1$  (primary) and  $X_1$  (secondary) terminals in a transformer having subtractive polarity will be on the *left* when the observer faces the low-voltage bushings; for an additive-polarity transformer, the  $X_1$  (secondary) terminal only will be on the *right* when the observer faces the low-voltage bushings. Standards of the ASA call for distribution transformers rated up to 200 kVA and voltages below 8600 V to have additive polarity, and those above these values to have subtractive polarity; the polarity is usually specified on the transformer nameplate.

## DISTRIBUTION TRANSFORMERS

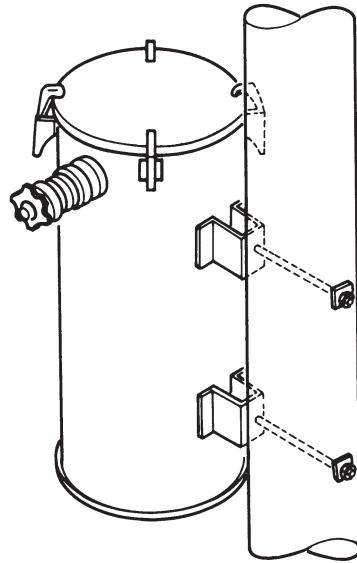
Distribution transformers may be installed on poles, on the ground on pads, and under the ground directly or in manholes and vaults. The transformers used in these types of installations differ mainly in their packaging, as the internal operating features are very much the same.

### Overhead Transformers

The overhead type of distribution transformer is mounted directly on a pole by means of two lugs, welded to the transformer tank, that engage two bolts on the pole, as shown in Figure 11-2a; this is known as

*direct mounting*, in contrast to older methods in which the transformer was bolted to a pair of hanger irons that were hung over a cross arm. Where more than one transformer is required, as in power banks, the transformer lugs engage studs on a bracket which is bolted, like a collar, around the pole; the units form a cluster around the pole, from which the term *cluster mounting* is derived; see Figure 11-2b.

Where the load (weight) of the transformer or transformers may be too great for the pole, they may be placed on a platform erected between two or more poles in a structure, or they may be placed on a protected ground-level pad.



**Figure 11-2a. Direct pole mounting of a transformer (Courtesy Westinghouse Electric Co.)**

### **Pad-Mounted Transformers**

Transformers may be mounted on concrete pads at, or slightly below, ground level within an enclosure or compartment that may be locked for protection. These are generally installed as part of so-called underground residential distribution (URD) systems, where appearance is a major consideration; refer to Figure 6-19 in Chapter 6.

The transformers may have their energized terminals exposed when the compartment is open, or the terminals may be mounted behind an insulating barrier and connections from the cables made through bayonet-type connections on insulated elbows which are plugged into jacks connected to the terminals; these units are referred to as *dead-front* units and provide an additional margin of safety. Refer to Figures 6-18 and 6-19 in Chapter 6.

### **Underground Transformers**

In the underground type of transformer, also called the subway type, the tank is not only hermetically sealed for water tightness, but its walls, bottom, and cover are made thicker to withstand higher internal

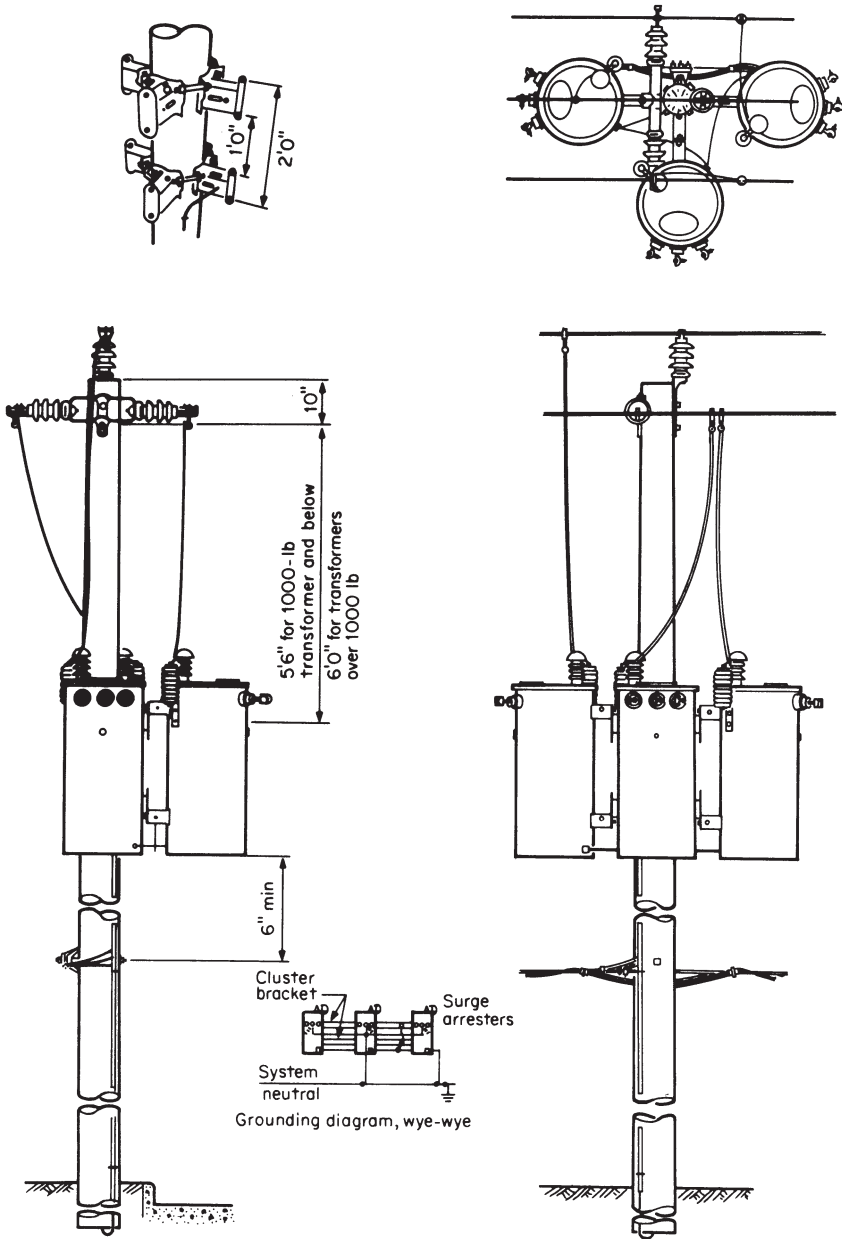


Figure 11-2b. Cluster mounting of transformers. (Courtesy Long Island Lighting Co.)



and external pressures; the cover is bolted to the tank (with intervening gaskets) by a relatively large number of bolts, and in some instances, welding is used. These units are designed to operate completely submerged in water.

In larger units, where cooling of the tank itself is not sufficient, radiator fins are welded to the tank to provide additional cooling surface, or pipes are welded to the tank for the circulation of oil through them; in the latter case, the additional surface of the pipes as well as the circulating oil is useful for cooling.

Connections to the supply cables are made by means of watertight wiped joints between a fluid-tight bushing and the cable sheath. Another means provides for the making of connections in a chamber attached to the transformer tank in which the primary-voltage transformer windings are brought out in fluid-tight bushings. In some units, this chamber also houses high-voltage disconnecting and grounding switches.

Where these units supply low-voltage secondary networks, they also house the network protector in another watertight compartment, usually situated at the opposite end of the transformer tank from the primary connection and switch chamber. Refer to Figure 6-4 in Chapter 6.

### **Ratings**

Transformers are rated by voltage class and in kVA for capacity. Standard voltage classes are 2400, 4160, 7620, 13,200, 23,000, 34,500, 46,000, and 69,000 V for single-phase and three-phase units, with secondary voltages of 120/240, 120/208, 240/480, and 277/480 V. Standard sizes may include 5, 10, 15, 25, 37-1/2, 50, 75, 100, 167, 250, 333, and 500 kVA for overhead and pad-mounted units, and in addition to these, underground units may also include 667-, 1000-, 1500-, and 3000-kVA units. The units may be both single-phase and three-phase, although the larger sizes are almost always three-phase units.

### **Transformer Protection**

Distribution transformers generally fall into two broad classifications: "conventional," in which the protective devices are mounted externally to the unit; and completely self-protected (CSP), in which protection devices are included inside the transformer tank.

Protection is provided the transformer against overload or failure, and from voltage surges (lightning, switching) that may damage the insulation.

### *Conventional Transformers*

Associated with the conventional transformer are a fused cutout which separates the transformer from the primary in the event of overload or the failure of some component of the transformer, and a lightning or surge arrester which bleeds the high-voltage surge to ground before it has a chance to damage the insulation or other parts of the transformer. Fused cutouts and surge arresters will be discussed later in this chapter.

### *Completely Self-Protected Transformers*

In the completely self-protected transformer, the primary fuse is situated within the case, and because its characteristics are different from those of the external primary fuse, it is referred to as a "weak link." Additional protection from overloads is provided by means of circuit breakers on the secondary side, which coordinate with the weak link; i.e., in the event of overload or fault on the secondary main, the secondary circuit breakers open before the weak link blows. The surge arrester is mounted outside the tank, but connected to its primary terminal. For single-phase units on a wye-grounded system, therefore, only one connection is required to be made to the primary line; this makes for a simpler, neater-appearing, and more economical mounting of transformers. Moreover, these units are also equipped with a warning light which may be seen from the ground and which indicates the unit has been thermally overloaded.

### *Grounds*

In a grounded wye system employing a common neutral for both the primary and secondary systems, the secondary neutral is connected to the transformer tank and the tank grounded. For safety purposes, a second visible ground conductor is connected between the neutral terminal and the neutral conductor of the secondary mains.

Similar protection is provided for ground-level or pad-mounted transformers. Surge protection is usually not required for transformers installed underground, although exceptions are made where such transformers are installed close to underground risers connected to overhead systems; surge arresters may then be installed at the transformer or at the pole, or both.

### **Single-Phase Transformers**

Most of the distribution transformers in service are single-phase units supplying single-phase loads directly or supplying polyphase

loads in banks of two or three units. The secondary winding is usually divided into two equal parts, each part having a voltage of 120 V between its terminals. The two parts may be connected in parallel for two-wire 120- V operation, in series for two-wire 240- V operation, or in series for three-wire 120/240 V operation; refer to Figure 4-6a in Chapter 4. In older units, the four leads from the two parts of the secondary winding were brought outside the tank through insulated bushings, and connections were made outside the tank; in more recent construction, the connections of the parts are made inside the tank and only those leads are brought out that the circuit requires. In many cases, the middle or neutral lead is not brought out through an insulated bushing, but is connected to a stud on the tank which also serves as a means of grounding the transformer tank.

Leads from the primary winding are brought out of the tank through insulated bushings usually made of porcelain of sufficient dimensions to accommodate the intended primary supply voltage. Where the primary supply is a delta-connected or ungrounded wye circuit, the leads employ two bushings. Where the primary supply is a grounded wye circuit, only one lead is brought out through a porcelain bushing; the other lead is connected to the tank and brought out by means of a stud, which may also be connected to the secondary neutral lead, and which also serves for making connection to the distribution-circuit neutral conductor.

(It is most important that care be exercised when connecting or energizing single-bushing transformers, or any transformer with one end of the primary coil connected to the transformer tank, to make *absolutely* certain that the ground connections on the tank of the transformer are made to the system neutral *first*. Failure to do so could lead to energizing the transformer tank at line voltage, jeopardizing the safety of anyone working at or near that transformer.)

Single-phase units may also be used to supply two-phase and three-phase loads from a polyphase primary supply; they may also be used as boosting or bucking transformers in single-phase primary supply circuits; connections are shown in Figure 4-6a through k in Chapter 4.

The primary windings may also be furnished with taps which permit changes in the transformation ratio to accommodate the need for a fixed raising or lowering of the secondary voltage, or to provide for phase transformation from three-phase to two-phase (or vice versa) as noted previously.

**Polyphase Transformers**

In polyphase (usually three-phase) transformers, the connections between the phase windings on both the primary and secondary sides are made within the tank of the transformer, and the leads are brought out through porcelain bushings. Whether connected for delta or wye and whether on the primary or secondary side, three leads are brought out on each side. In most instances where a grounded wye circuit is involved, the neutral is brought out through a stud connected to the transformer tank, as mentioned previously for single-phase units. In the relatively few instances where ungrounded wye circuits are involved, the “neutral” or common junction point is brought out through a fourth porcelain bushing.

Taps on the primary side are also furnished to permit the same changes in ratio of transformation as were described for single-phase transformers.

**Transformer Cooling**

Most distribution transformers, whether overhead, pad-mounted, or subway types, have their cores and coils submerged in insulating oil. The heat produced by the iron and copper losses is carried by convection currents in the oil to the tank and there dissipated into the atmosphere. Excessive temperatures and the formation of hot spots are thus prevented, avoiding damage to the insulation and conductors.

Moisture and sludge formed from the effect of the oxygen in the air on hot oil tend to reduce the dielectric quality of the oil.

Where the use of oil is undesirable, principally because of fire hazard, air-cooled or askarel-cooled units may be employed, although these are generally limited to larger sizes and to transformers installed in vaults. Askarels, although nonflammable, are heavier, less effective coolants, and more expensive than oil; they are also environmentally undesirable, containing carcinogenic PCB compounds, and are extremely irritating to eyes and skin.

**Transformer Impedance**

Transformer nameplate data also include the impedance of the transformer expressed as a percentage of its nominal rated voltage. This information is important when transformers are connected in parallel, or in polyphase banks, as units of different impedances will not share the load equitably and will cause circulating currents producing unneces-

sary heating when connected in banks; refer to Chapter 4 for additional discussion.

## FUSE CUTOUTS

Distribution transformers (of the conventional type) are usually connected to the primary supply lines through a fuse cutout. The cutout contains a fusible element (a link) whose melting automatically disconnects the transformer from the primary to prevent damage from overloads; it also disconnects the line from the transformer in the event of a fault in the transformer, not only preventing spread of damage in the faulted transformer, but also preventing interruption to the primary supply circuit that would affect other transformers and consumers served from that circuit.

Fuse cutouts are also used to disconnect faulted or overloaded parts of a primary circuit from the remaining unfaulted portion of the circuit.

The size of the fuse is generally based on the size of the transformer or load on the primary section it is to protect.

For voltages of 5000 V or lower, the fuse element, enclosed in a fiber tube, is mounted inside a porcelain box, engaging the two contacts at the top and bottom of the box. The fuse is usually mounted on the door of this box, which is hinged at the bottom; in some models, the melting of the fuse causes the door to drop open as an indication that the fuse has blown. See Figure 11-3a.

For voltages above 5000 V, the fuse element is mounted in the open between two contacts at either end of an insulating porcelain support, as shown in Figure 11-3b. The tube containing the fuse drops when the fuse melts, indicating that the fuse has blown. For obvious reasons, this type is known as an open-type cutout.

The design of fuse cutouts should take into consideration the voltages which will be applied to them and the currents that will flow through them. As the currents that may flow under fault conditions may be of rather large magnitude, the fuse cutouts should be strong enough to withstand the resultant forces without damage to themselves or to surrounding objects.

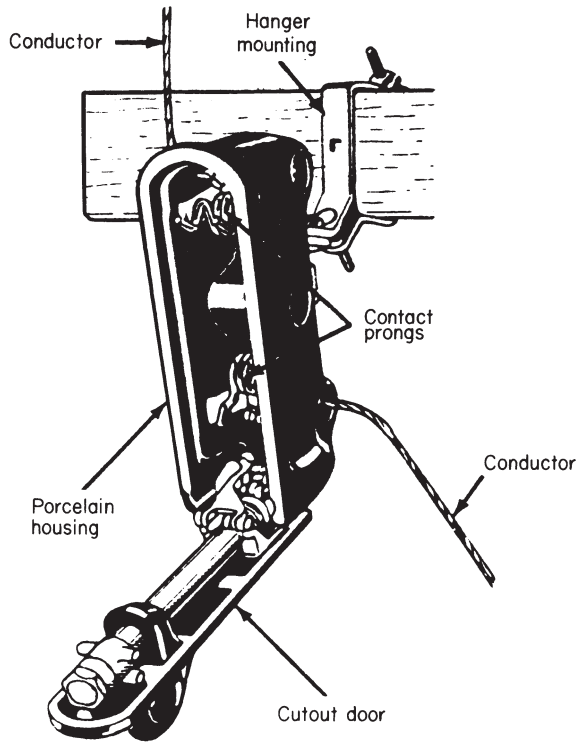
### **Fuses**

A fuse is a fusible link that melts when excessive current flows through it, the time of melting varying with the magnitude of the cur-

**Figure 11-3a. Door-type fuse cutout.**  
(Courtesy A.B. Chance Co.)

rent flowing through it. Further description and discussion of fuse operation are given in Chapter 4.

Fuses for different applications are of several types; those used in connection with the primaries of distribution feeders and transformers are of the expulsion type. These contrast with the open or link types used with secondary voltages and the filled-type fuses of large capacity generally used with higher voltages such as are found on incoming supply feeders at substations.



*Expulsion-type Fuses*

The fuse link consists of a fusible element with a cap on one end and a flexible stranded cable on the other. The fuse fits into an insulating tube, usually of fiber, with the cap holding it in place on one end and making contact with the nut or fitting at that end; the flexible cable is held taut by a spring or by being wound around a stud and held in place by a knurled nut. The assembly is fitted between the stationary terminals of the cutout.

The minimum time required to melt the link is determined by the composition and dimensions of the link. At the primary voltages involved, however, an arc will persist between the ends of the melted link. The rapid expansion of the surrounding air confined in the tube will tend to blowout the arc; the heat acting on the fiber will also produce a gas under pressure, aiding in extinguishing the arc. The mounting or en-



**Three-Shot Fuses**

When fuses are used to sectionalize a primary feeder, it is sometimes desirable to reenergize the portion disconnected by the blowing of a fuse, e.g., after a fault of a temporary nature. Three fuses are mounted in parallel, but only one fuse is connected in the line. When that fuse blows, as it swings open it trips a latch that places the second fuse in service. Should this fuse also blow, the operation is repeated for a third fuse. If the third fuse should blow, the line remains deenergized.

**Safety Considerations**

Besides providing adequately for normal and fault currents and for the voltage at which a cutout is to be operated, designs provide for the mounting or cutout to withstand severe climatic conditions, including snow, ice, rain, and severe temperature differences. Protection is also provided against decay, insects, birds, rodents, snakes, etc. Metal parts are made noncorrosive, not only from rust but from corrosive atmospheres. All nonenergized metal parts are bonded together and connected to one or more grounds. The cutouts are also installed out of reach of the general public and are operated with auxiliary devices such as an insulated switch stick handled from the ground.

**Oil Fuses**

Where very large interrupting capacity is required in a fuse, it is submerged in oil in a hermetically sealed steel tank. Here, the hot gases are not expelled, but are allowed to expand into sealed explosion chambers at the top of the cutout; the remnants of the fuse remain under the relatively cool oil. The magnetic field set up by the large current flowing through the fuse in turn sets up magnetic fields within the tank that aid in snuffing out the arc that forms, the insulating lining of the tank preventing the arc from contacting the tank.

The fuse link is fitted on an insulating frame that fits between the contacts inside the tank. The assembly is so shaped that it can only be inserted into an open position, preventing a premature blowing of the fuse before the assembly is locked in the closed position. Stationary contacts inside the tank are brought out by means of porcelain bushings.

The relatively high cost of oil fuses generally restricts their use to transformers in vaults or underground manholes, and to where voltages are less than 15 kV.



## SURGE ARRESTERS

Lightning or surge arresters serve to bleed a high-voltage surge to ground before it reaches the line or equipment which they are to protect. They do this by presenting a lower-impedance path to ground than that presented by the line or equipment. The voltage surge breaks down the insulation of the arrester momentarily, allowing the surge to go to ground and dissipate itself; the insulation of the arrester then recovers its properties, preventing further current from flowing to ground, and returning the arrester to a state ready for another operation.

### Types of Arresters

Lightning or surge arresters consist basically of an air gap in series with another element which has the special characteristic of providing a relatively low resistance or impedance to the current produced by a high-voltage surge, and a high resistance or impedance to the flow of power current at the relatively low operating voltage of the distribution line to which it is connected. In some later units, the air gap may be omitted.

#### *Pellet Type*

In the pellet type of arrester, the second element is made up of a tube full of lead pellets. The lead pellets are actually lead peroxide coated with lead oxide. The pellets normally act as insulation preventing current from flowing to ground. When a high-voltage surge is impressed on them, a current will flow that heats them and turns the lead oxide (a poor conductor) into lead peroxide (a good conductor). After the surge is discharged to ground, the surface of the pellets is changed by the discharge current back to lead oxide and restores the arrester to its original condition. Although rapidly becoming obsolete, a great many of this type of arrester exist and will for a long time.

#### *Valve Type*

In the valve type of arrester, the second element may be made of some particular substance such as ceramic material containing conducting particles, such as metal oxides (Thyrite and Cranulon are commercial names), or other substances having characteristics under surge-voltage conditions similar to those described above. Many of these are built in modular units, several connected in series to accommodate the line voltage impressed on them.

*Expulsion Type*

The expulsion type of arrester may not employ a second air gap enclosed in a tube made of fiber in series with a fixed air gap. As with fuse holders made of fiber, when a high voltage occurs creating an arc across the gap, the heat acting on the fiber gives off a nonconducting gas under pressure that blows out the arc, interrupting the flow of surge current and restoring the arrester to its original condition.

**Installation**

Surge arresters are installed as close as possible to the equipment or line to be protected so that the resistance of the connection to ground may be held to a minimum. The ground is of the utmost importance, as the arrester will not operate without one. If possible, the arrester should have its own ground, in addition to connections to other grounds.

Since the arrester is to protect the insulation of the line or equipment associated with it, its insulation should be coordinated with that of the line or equipment. This is discussed in some detail in Chapter 4.

**Rating**

Standard arresters are rated not only on the nominal voltage class of the line to which they are to be connected, but also as to the crest voltage (the basic impulse insulation level) they can withstand; refer to Chapter 4 for more detail. Table 11-1 lists some standard ratings for surge arresters associated with distribution circuits of various voltage classes.

**Table 11-1. Standard ratings of surge arresters for distribution voltages.**

<i>Voltage reference class, kV</i>	<i>Crest voltage, kV*</i>	<i>Voltage reference class, kV</i>	<i>Crest voltage, kV*</i>
1.2	30	15	110
2.5	45	23	150
5.0	60	34.5	200
8.7	75	46	250
12.0	95	69	350

\*Basic insulation level (BIL) in kilovolts with a standard 1.5- by 40-μs wave.

Courtesy McGraw Edison Co.

*This page intentionally left blank*

## Chapter 12

# Regulators, Capacitors, Switches, and Relcosers

### VOLTAGE REGULATORS

A voltage regulator is used to hold the voltage of a circuit at a predetermined value, within a band which the control equipment is capable of maintaining and within accepted tolerance values for distribution purposes. Regulators may be installed at substations or out on distribution feeders on poles, pads, or platforms or in vaults.

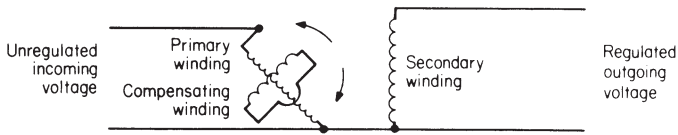
Voltage regulators are essentially autotransformers, with the secondary (or series) portion of the coil arranged so that all or part of its induced voltage can be added to or subtracted from the line or incoming primary voltage (across which the primary or exciting portion of the winding is connected). The voltage variations are accomplished by changing the ratio of transformation automatically without deenergizing the unit.

#### Types

There are two types of voltage regulators in use in distribution systems: the induction regulator and the tap-changing-under-load (TCUL), or step-type, regulator. The first is usually limited to circuits operating at 5000 V or less and is being rapidly replaced by the latter, employed where relatively larger amounts of power and higher voltages are involved.

#### *Induction Regulator*

In the induction type of voltage regulator, the primary (high-voltage) winding and the secondary (or series) windings are so arranged that they rotate with respect to one another (Figure 12-1). The primary coil is usually the stator and the secondary coil the rotor, the direction of rotation generally depending on whether the incoming voltage is to be raised or lowered. The voltage induced in the secondary or series winding will depend on the position in relation to the primary winding. Depending on the position, the induced voltage can add to or subtract from the input voltage to obtain the outgoing voltage.



**Figure 12-1. Induction regulator windings.**

During the rotation of the primary coil, the moving magnetic field can cause a large reactance voltage drop in the secondary. To dampen (or cancel) this effect, a third coil is wound at right angles to the primary coil on the movable core and short-circuited on itself. The moving primary coil will induce a voltage in the third coil which will, in turn, set up a moving magnetic field of its own, which will tend to oppose that set up by the motion of the primary coil. The reactance of the regulator unit is thus kept essentially constant.

#### *Step-Type (or TCUL) Regulator*

The TCUL, or step-type, regulator is also essentially an autotransformer, and is connected in the circuit in the same manner as the induction regulator. This type does not employ rotation of one of the coils, but changes voltages by means of taps in the primary coil, as shown schematically in Figure 12-2. The portion of the coil with taps is a separate part of the primary coil with arrangements included for a reversal in its connection so that the voltage within that portion of the primary coil can be added to or subtracted from the voltage in the rest of the primary coil.

Each tap is changed by the opening and closing of an associated “selector” switch. To avoid disconnecting the transformer from the line each time a tap is changed, the taps are so arranged that two adjacent taps are connected through a small autotransformer each time the tap change is in progress. The midpoint of this “preventive” autotransformer is connected to the primary coil, as illustrated in Figure 12-3. A small air gap is inserted in the core of the autotransformer to reduce the size of the magnetic field, which could cause an excessive voltage drop in the coil.

Small circuit breakers, known as *transfer switches*, make and break the circuit under oil. The selector switches are always closed while the corresponding transfer switch is open, and opened while the transfer

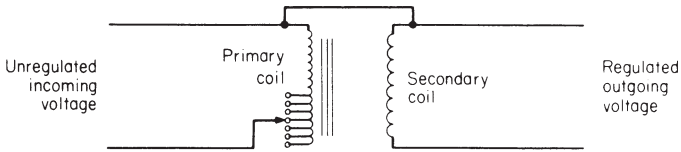


Figure 12-2, Step-type or TCUL regulator.

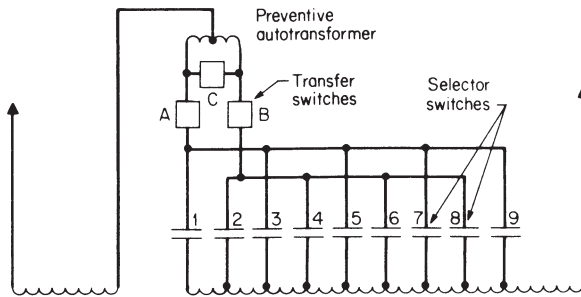


Figure 12-3, Operation of step-type (TCUL) regulator. (Courtesy Westinghouse Electric Co.)

switch is closed. In this design, three transfer switches and one selector switch for each tap are required for operation. The transfer switches are often contained in a separate compartment attached to the main tank of the regulator so that they may be maintained without the necessity of draining the oil from the entire regulator unit. The oil in this compartment may be more readily contaminated because of the frequency of the switches' operation.

The sequence of operation of both the selector and transfer switches is shown in Table 12-1. The switches are operated in proper sequence by a motor-operated mechanism which may be controlled manually or automatically. A time-delay device prevents short-duration dips from operating the control relays.

### Control

The rotation of the primary coil in the induction regulator and the tap changing in the step-type (TCUL) regulator are controlled by a voltage-regulating relay (earlier known as a *contact-making voltmeter*) connected to the output side of the regulator. Associated with it is a *line-drop*

**Table 12-1. Sequence of operation of TCUL regulator switches.**

<i>Switch</i>	<i>Position</i>								
	<i>1</i>	<i>2</i>	<i>3</i>	<i>4</i>	<i>5</i>	<i>6</i>	<i>7</i>	<i>8</i>	<i>9</i>
Transfer switch A	X	X	X	X	X	X	X	X	X
B		X	X	X	X	X	X	X	X
C	X	X	X	X	X	X	X	X	X
Selector switch 1	X	X							
2		X	X	X					
3			X	X	X				
4				X	X	X			
5					X	X	X		
6						X	X	X	
7							X	X	X
8								X	X
9									X

Courtesy Westinghouse Electric Co.

*compensator*, which is essentially a miniature reproduction of the electric circuit to be regulated and determines the voltage applied to the voltage-regulating relay. A more detailed description of these devices' operation is contained in Chapter 4.

### Rating

Both induction and step-type regulators are rated on their nominal voltage classification and their plus-minus percent of voltage regulation. Their capacity, or kVA rating, as a percentage of the volt-amperes transformed is the same as the percent voltage transformed using the incoming primary voltage as a base. This is the same rating used for autotransformers.

For example, if the regulator boosts (or bucks) the voltage 10 percent, it transforms only 10 percent of the load in kVA. If the load to be served is 1000 kVA, the size of regulator required is 100 kVA.

### CAPACITORS

Capacitors are also used to improve voltage regulation on distribution circuits, but their operation differs from that of induction and step-type regulators. By introducing capacitive reactance in the circuit, they

effectively counteract the inductive reactance of the circuit, affecting its impedance. This, in turn, may cause a voltage drop or rise. It will also tend to improve the circuit power factor, thereby decreasing the current required for a given load and reducing losses in the circuit.

**Construction**

Capacitors are usually constructed of sheets of aluminum foil separated by liquid-insulating-impregnated paper or other material, wrapped in bundles. The bundles are connected together electrically in series-parallel circuits, and the number of such bundles determines the voltage and capacitance rating of the units. The bundles are contained in a steel tank through which the leads are brought out by means of porcelain bushings.

**Operation**

Sufficient numbers of units are assembled in a bank of capacitors to provide the required capacitance or reactive power. Capacitors should be installed as close as possible to the inductive load (equipment) so that the current supplied over the circuit will be as nearly as possible in phase with the voltage (unity power factor).

In utility practice, however, capacitors are installed at intervals on the circuit to counter the effect of the inductance of the circuit itself as well as that of the inductive loads connected to it. Capacitor banks may be installed outdoors on poles in racks, on platforms, or on pads. They may also be installed indoors in vaults or other enclosures, and in substations.

Since the loads on a circuit change almost continuously, means are sometimes provided to switch on or off some or all of the units in a capacitor bank, so that the capacitance (approximately) cancels out the inductance of the system. This may be accomplished by time docks, overvoltage or undervoltage relays, or remote-control devices.

*Protection*

When installed outdoors, capacitor banks are usually protected by fuse cutouts and surge arresters, somewhat in the way transformer installations are protected. In indoor installations, the banks may be protected by switches or fuse cutouts. Large banks of capacitors, such as may be found connected to substation buses, are usually connected by means of circuit breakers of ample capacity and short-circuit duty



to accommodate the switching on and off of such banks, either in their entirety or in part. The employment of capacitors is discussed in greater detail in Chapter 4.

To protect against the failure of one unit in a bank affecting the entire bank, each capacitor unit in the bank is usually fused individually.

#### *Discharge of Capacitors*

Some arrangement of resistors or reactors connected to the terminals of the capacitors is often provided for discharging the potentially dangerous energy that remains in a capacitor that has been charged, even after it is disconnected from the line. This phenomenon is known as *dielectric absorption*. Where the capacitors are connected between a phase of the primary feeder to which distribution transformers are connected and ground, discharge facilities may not be required, since the charge in the capacitor will drain off through the transformer winding. The rapidity at which this occurs will depend on the distance and the size and configuration of the conductors between the capacitor and the transformer.

#### **Series Capacitors**

Capacitors may be connected in series with the line to compensate for reactive voltage drop in the circuit and provide an instantaneous and almost perfect voltage regulation. Their use is generally limited to low-voltage heavy-current application, such as welders and furnaces. The units so employed may be the same as those used for shunt operation.

#### **Rating**

Capacitor units are rated according to their nominal voltage class (e.g., 2400 or 7620 V) and their kVA rating: 15, 25, 50, 100, 150, 200, and 300 kVA. Banks of such units, both for single-phase and three-phase operation, are assembled to provide the required capacitance.

#### **Maintenance**

Capacitors require little maintenance beyond occasional inspection for blown fuses, cracked bushings, leaking tanks, and the accumulation of dirt or other pollutants (severe smoke, salt fog, chemical fumes, etc.) on insulating surfaces. Maintenance is often accomplished by replacing only the unit in the bank requiring attention.

## SWITCHES

In addition to the fuse cutouts and potheads mentioned in Chapter 9 and 11, other devices are used for connecting or disconnecting circuits or portions of them.

### Disconnects

Disconnects are switches designed *not* to be opened when any amount of load current flows through them. Their use is generally limited to places where no load current or only a small charging current is to be interrupted. They are usually installed in a circuit so as to enable a line or a piece of equipment to be isolated from the energized portion of the circuit; they provide a visual break in the circuit as a positive safety measure for the worker. On the other hand, when used as normally open devices, they may be closed to energize a line or piece of equipment where only charging current will flow; in some instances, some relatively large load current may also flow when the disconnect is closed. In either case, the disconnect should be closed firmly to prevent the possibility of arcs forming between the blade and terminal clip as the blade approaches the (energized) clip.

Disconnect switches, air-break switches, and oil switches are sometimes gang-operated; i.e., the three single-pole disconnects (for a three-phase system) are mechanically connected and operated together.

### Air-break Switches

Air-break switches are generally used to interrupt relatively small amounts of load current, such as in sectionalizing primary feeders or interrupting the exciting current of large transformers or a group of smaller transformers. The switches may be closed to pick up loads, but extreme care must be used in opening a circuit carrying load.

Air-break switches are essentially disconnect switches equipped with so-called arcing horns. These are metal rods attached at an angle to the stationary terminal of the switch. As the blade of the switch is opened under load, the arcing horns remain in contact with the blade until after the main contacts have separated. As the blade continues to travel, an arc will form between it and the arcing horn. The arc will lengthen as the blade continues to travel, until it can no longer sustain itself and becomes extinguished. Pitting or burning from the arc occurs on the horn and part of the switch blade, where it can be tolerated.

Auxiliary devices are sometimes employed to increase the load-interrupting capability of such switches. One scheme interposes a low-capacity high-interrupting-duty fuse between the stationary contact and the moving element or blade; the fuse interrupts the circuit safely while the switch blade is still in place.

#### *Construction*

Air-break switches are built rather ruggedly not only because they may have large fault currents flowing through them, but also because they are exposed to the weather. They are designed to operate under severe weather variations, with special attention paid to prevent contacts and hinges from “freezing” in position in cold, snowy, and icy weather.

### **Oil Switches**

#### *Operation*

Where load currents are to be interrupted relatively often, oil switches not designed to interrupt fault currents are used. Here, the switch is opened under oil, the oil serving to quench the arc that forms. Usually, however, a fuse is connected in series with the switch to clear the circuit should the switch fail to interrupt the circuit. Oil switches of this type, such as double-throw switches, are often used to transfer a primary service from one feeder to another and may be operated manually or automatically.

While the oil switch is more dependable than the air-break switch, it is more costly and its use is generally limited to those applications where other means are unsatisfactory.

#### *Rating*

Like disconnects and air-break switches, oil switches are rated on their voltage classification and their normal current-carrying capacities. Inasmuch as fault current may flow through them, their fault-current-carrying capabilities are often included in their specifications.

## **CIRCUIT BREAKERS**

### **Types**

A circuit breaker generally is an oil switch but is built more ruggedly to enable it to interrupt not only the relatively large load currents

but also the much larger fault currents which may occur on a circuit. Some circuit breakers, however, are designed to open in air, with special provisions for handling the arc that follows when the contacts are opened. These are known as air circuit breakers, and their interrupting capability is usually much lower than that for oil circuit breakers. Other circuit breakers are designed to have their contacts open in a vacuum or in an ambient of inert gas such as sulfur hexafluoride (SF<sub>6</sub>), with improved interrupting capability claimed for these latter types.

### **Operation**

All types of circuit breakers are designed to operate automatically in opening the circuit under fault conditions, or to be opened or closed manually when desired.

Circuit breakers are generally installed at substations on the ends of primary feeders. They may be used elsewhere, however, where heavy short-circuit currents must be interrupted and cannot be handled by other means such as fuses. Such locations, for example, are at-large consumers served at primary voltages.

Circuit breakers are usually actuated by overcurrent- or fault-sensing relays which serve to open them. This is done by tripping a compressed spring. Opening may be achieved in from 2 to 60 or more cycles, including the extinguishing of the arc, from the time the relay contacts are made. Relays also control their reclosure, which is accomplished by means of solenoids or electric motors. Circuit breakers may be set for a single operation, or for multiple reclosing operations before "locking out."

To insure their operation, the operating power source for the operation of the relays and the circuit breakers may be storage batteries floated on the line through a rectifier so that they are continuously fully charged.

Further discussion of circuit breakers may be found in Chapters 4, 7, and 13.

### **Rating**

In addition to their voltage classification and current-carrying capacity, the interrupting capability is a most important part of the circuit breaker rating.

## RECLOSERS

Reclosers are essentially circuit breakers of relatively lower normal current- and short-circuit current-carrying capability. Their overcurrent- and fault-sensing devices and reclosing controls are a part of the unit and are contained within it.

### **Operation**

The coils operating the closing mechanism obtain their power from the source side of the recloser. These coils also operate a mechanism that compresses the springs, which, when tripped, open the circuit breaker contacts rapidly. Another coil, in series with the coil operating the closing mechanism, trips a latch that releases the compressed springs to open the circuit breaker. A relay reenergizes the coil operating the dosing mechanisms, which automatically close the circuit breaker. A time delay inserted in the relay circuit permits the reclosing of the breaker a number of times (usually three) before locking it open. The reclosing feature may be switched out of operation when only a single operation is desired (e.g., when workers may be working on the circuit). The unit may also be operated manually.

Reclosers may be installed out on one or more branches of a circuit so that a fault on those branches need not affect the entire circuit. Temporary faults (such as a tree limb falling on the line) will not cause a lengthy outage to service on the branch, but only a momentary interruption.

Reclosers may sometimes be installed at substations as circuit breakers on distribution feeders where loads are relatively small and likely short-circuit or fault current low enough not to exceed the rating of the recloser. Such conditions may often be found in rural areas.

### **Rating**

Recloser units may be single-phase or polyphase, and are rated according to voltage class, normal carrying current, and fault-current interrupting capability. Additional discussion may be found in Chapter 4.

## *Chapter 13*

# **Distribution Substation Equipment**

### EQUIPMENT

The principal equipment usually found in a distribution substation includes power transformers; circuit breakers and their associated protective relays and control devices; high-voltage fuses; air-break and disconnect switches; surge or lightning arresters; voltage regulators; storage batteries; measuring instruments; and, in some instances, capacitors and street lighting equipment. Associated with all of these are cables and buses and their supports.

Many of these items have been discussed previously in connection with their functions in the planning and design of distribution systems and in their construction and installation; this discussion may generally be found in Chapters 2, 4, 5, 6, 7, 11, and 12. Discussion in this chapter will focus on those characteristics of these same items which were not discussed previously but which are associated with the activities of the distribution engineer.

### TRANSFORMERS

Substation transformers function in a manner similar to distribution transformers, but have significant differences in their construction and operation. Features shared by both categories include the usual employment of oil (sometimes air or askarels) for insulating and cooling purposes, taps for changing the ratio of transformation, and insulation coordination together with basic insulation levels. Transformers may be of the single-phase or three-phase types.

#### **Core**

Substation transformers, and especially the polyphase units, are usually constructed with shell-type cores which surround the windings,

as compared with the usual distribution transformer, in which the windings surround the core.

### **Polarity**

Substation transformers are usually wound for additive polarity, in accordance with EEI, NEMA, and other standards, as contrasted with the subtractive polarity of distribution transformers.

### **Bushings**

The bushings of substation transformers on the low-voltage side are usually made of porcelain and are similar to the primary bushings found on distribution transformers, but of greater current-carrying capacity. The high-voltage-side bushing, however, in addition to the greater current-carrying capability, depending on the magnitude of the voltage, may consist of a solid porcelain cylinder (with petticoats) as insulation for voltages up to about 35 kV, or an oil-filled hollow porcelain cylinder for values up to about 69 kV; for 69 kV and higher voltages, the hollow porcelain cylinder may contain layers of oil-impregnated paper insulation with metal foil inserted at several locations among the layers, forming a series of capacitors which serve to even out and equalize the electrostatic stresses set up within the bushing; see Figure 13-1. Other high-voltage bushings may be filled with an inert gas such as sulfur hexafluoride ( $SF_6$ ).

Like distribution transformers designed for line-to-ground operation, single-phase transformers may have only one bushing on both the high- and low-voltage sides; three-phase transformers may have only three high- and three low-voltage bushings, with a neutral stud as a common terminal for both high- and low-voltage windings.

### **Oil**

Substation transformers may also show evidence of greater precaution taken in keeping air and moisture from the oil. In some units, an inert gas, such as nitrogen, fills the space above the oil, and the transformer tank is sealed. A "relief diaphragm" is sometimes installed in a vent in the sealed transformer which ruptures when the internal pressure exceeds some predetermined value, indicating possible deterioration of the insulation. In some units, a pressure relay is installed to give an indication of pressure rise in the tank.

Some outdoor units are equipped with a tank on top of the trans-

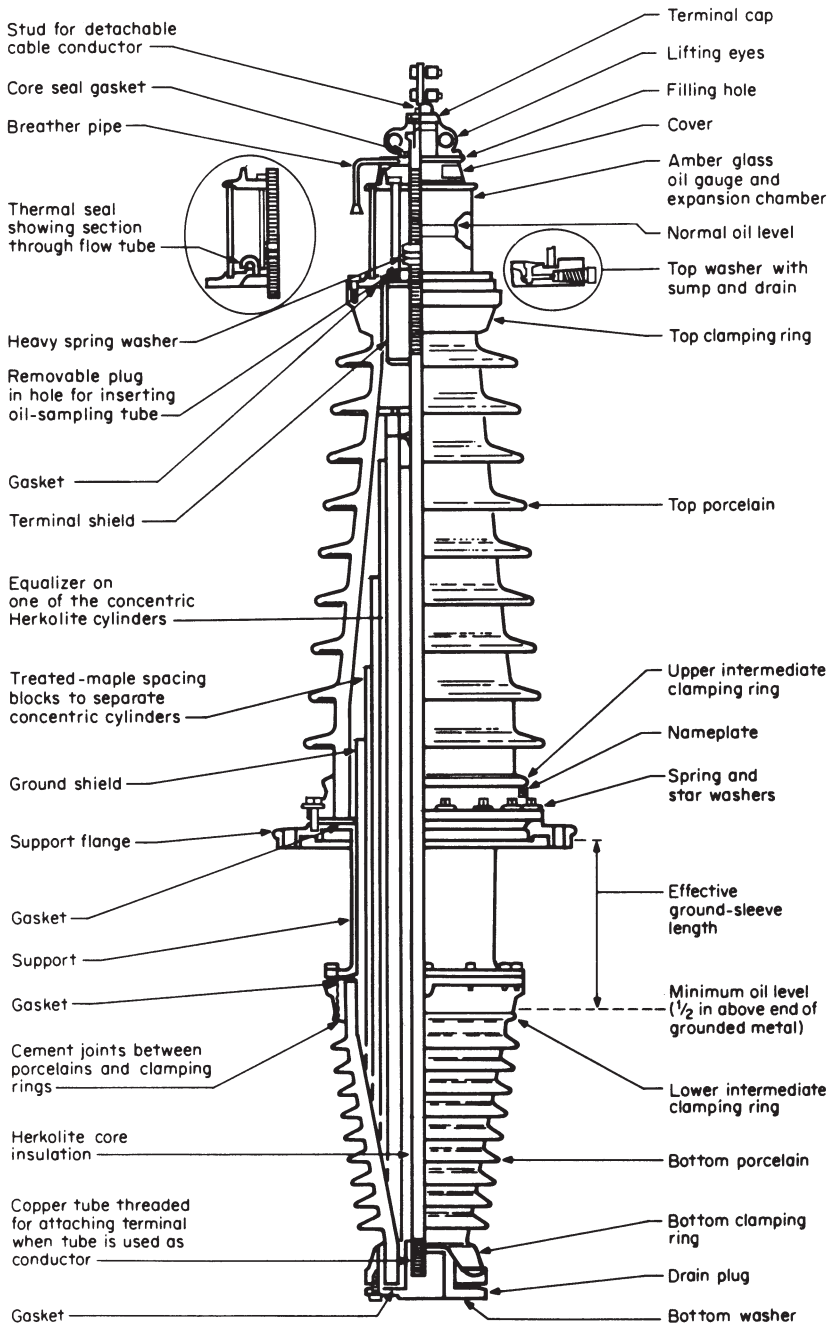


Figure 13-1. Typical oil-filled bushing for a 69-kV transformer. (Courtesy General Electric Co.)



former, called a *conservator*, in which the expansion and contraction of the oil takes place. The tank is sometimes open to the atmosphere through a breathing device. The condensation of moisture and the formation of sludge take place in the tank, which is also provided with a sump from which the condensation and sludge may be drawn off. See Figure 13-2.

### Cooling

Substation transformers may be equipped with fins or radiators to enhance the ability of the transformers to dissipate the heat generated by their copper and iron losses. Both the fins and the radiators increase the surface area transferring heat to the atmosphere. The radiator, in addition, increases the natural circulation of oil by the convection currents set up within the unit.

This cooling capability may be further increased by fans blowing against the fins and radiators, increasing the rate of heat transfer to the surrounding atmosphere. Further cooling may be obtained by pumps forcibly increasing the rate of circulation of oil in the radiators. Both means are often used together. In some cases, resort is had to water cooling by means of pipes installed within the transformer tank through which water is circulated, or by means of an external heat exchanger through which the hot oil and water are separately circulated with the aid of pumps.

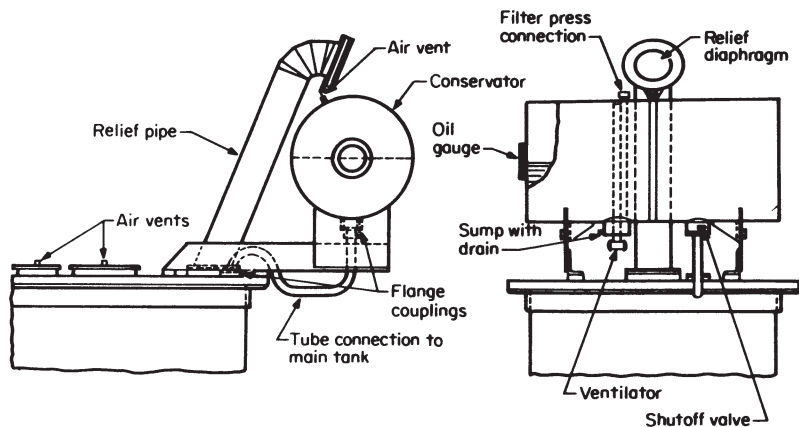


Figure 13-2. Diagram showing main features of a conservator. (Courtesy General Electric Co.).

**Rating**

In addition to the voltage classification, substation transformers may have several ratings expressed in kVA, each rating associated with the type of cooling employed: a normal rating with no added means of cooling; a higher rating with forced air or forced oil circulation; and a still higher rating when both means are used in combination; for example, 10,000 kVA; 12,000 kVA-FA; 15,000 kVA-FA/FO. Ratings may also include permissible noise levels at maximum loads, expressed in decibels at standard distances from the unit.

**Impedance**

The impedance of substation transformers is usually higher than that of distribution transformers in order to hold down the current that may flow during a fault on the system connected to its low side.

**CIRCUIT BREAKERS AND PROTECTIVE RELAYING**

Protective devices have been described in Chapters 4, 7, and 12. The same considerations that apply to the types of bushings for the several levels of voltage for transformers on their high-voltage side also apply to circuit breakers. Current transformers for relaying, metering, or other purposes may also be included in the bushing.

Circuit breakers may be single-phase or three-phase; these may consist of a single pole within an individual tank, or the three poles may be contained in a single tank.

Ratings of circuit breakers include their voltage classification in kV, their normal current-carrying capacity in amperes, their short-circuit- or fault-current interrupting capability in amperes or kVA, and, in some instances, their speed of opening, in cycles.

**Metal-Clad Switch Gear**

Modular metal-clad switch gear is constructed to incorporate circuit breakers, disconnecting devices, interlocks, measuring instruments, current and potential transformers, relays, and buses into a single, compact, factory-assembled unit or module for each circuit; a number of these units are capable of being assembled together.

Beside the compactness, the modular construction provides for flexibility in switching arrangements and for ready, inexpensive future

expansion. With no live parts exposed and with interlocks to prevent energized switch gear from being drawn out, protection for both worker and equipment is enhanced. Connections into and out of this type of switch gear can be made via underground cables, making for neat appearance.

Ratings of metal-clad switch gear are determined by its current-breaking capability:

<i>Voltage classification</i>	<i>Normal current capacity</i>	<i>Fault-current interrupting duty</i>
5 kV	2000 A	50,000 kVA
15 kV	2000 A	500,000 kVA
34.5 kV	2000 A	1,500,000 kVA

Units above these ratings may be tailor-made for specific installations.

## FUSES

Fuses associated with distribution transformers and primary circuits have been described in Chapters 4, 5, and 11. Their time-current characteristics and their coordination with each other and with reclosers and circuit breakers have been discussed.

### High-Voltage Fuses

In some smaller or rural substations, where possible short-circuit currents may be limited to relatively low values, a high-voltage fuse may be substituted for the incoming circuit breaker. While its operation, including coordination with other protective devices on the same circuit, is the same as for distribution fuses, its construction is greatly different from that associated with door- and expulsion-type cutouts. The high-voltage fuse links are usually enclosed in a container, which tends to suppress and confine the arc and vaporizing metal, making the fuse capable of interrupting moderate short-circuit currents at the higher voltages.

#### *Liquid-Filled Fuses*

In liquid-filled construction, the fuse link is enclosed in a tube that

is filled with a fire-extinguishing fluid such as carbon tetrachloride. A spring holds the fuse under tension so that, when it blows, the resultant arc is quickly lengthened and quenched in the fluid; the gas formed is inert and aids in blowing out the arc. If the pressure becomes excessive, provision is made to have the cap on the “outgoing” side of the fuse blow off, preventing the rupture of the tube and confining damage to the fuse itself.

*Solid-filled Fuses*

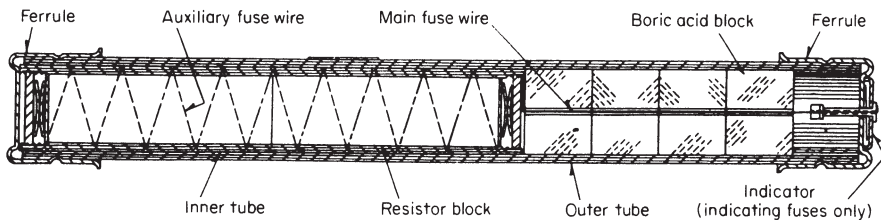
In solid-filled construction, the material surrounding the fuse element may be sand or powdered boric acid. In the sand-filled type, the heat and gases generated when the fuse melts are absorbed by the sand, which tends to squelch the arc. In the boric acid type, the heat produced decomposes the boric acid, which forms steam under pressure that acts to squelch the arc. See Figure 13-3.

**Ratings**

High-voltage fuses for this type of application are rated not only for their voltage classification and normal current-carrying capacity, but also as to their short-circuit-current interrupting capability.

DISCONNECT AND AIR-BREAK SWITCHES

Disconnects are rated by voltage classification in kV and normal current-carrying capacity in amperes. They are not rated to interrupt any current. These have been discussed in Chapters 4, 5, 7, and 12.



**Figure 13-3. Cross section of boric acid-type expulsion fuse. (Courtesy Westinghouse Electric Co.).**

Also discussed in these chapters have been air-break switches. They may be single-pole or three-pole gang-operated. They are also rated by their voltage classification and normal current-carrying ability, but, in addition, have a current-interrupting capability expressed in amperes.

## SURGE OR LIGHTNING ARRESTERS

Surge arresters may be of the valve or expulsion type and have been described in Chapter 6. They are rated not only on their normal voltage classification in kV, but also on their crest voltage capability in kV at a standard  $1.5 \times 40\text{-}\mu\text{s}$  wave (or other specified wave), and their discharge-current capability in amperes or thousands of amperes (kA). For high-voltage application, surge arresters may consist of a number of unit-value valve arresters connected in series in one overall unit, as shown in Figure 13-4 for a 69-kV arrester.

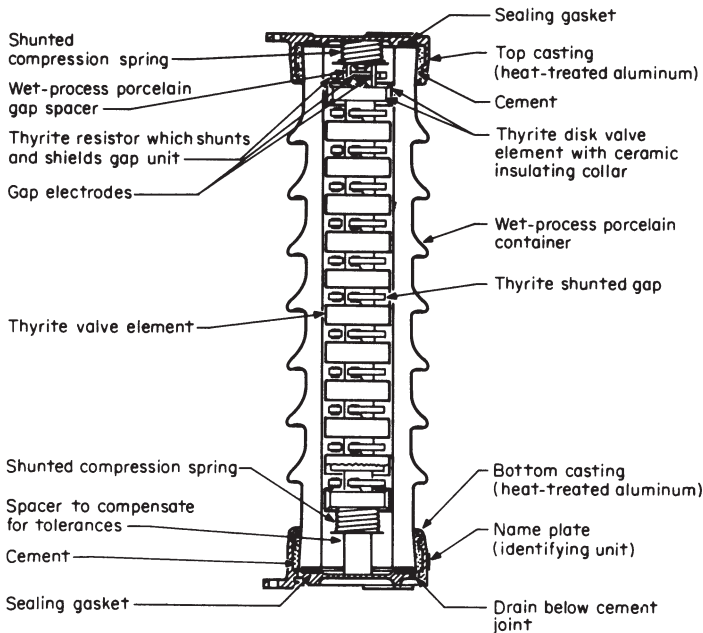


Figure 13-4. Cross section of a 69-kV Thyrite (valve) surge arrester. (Courtesy General Electric Co.).

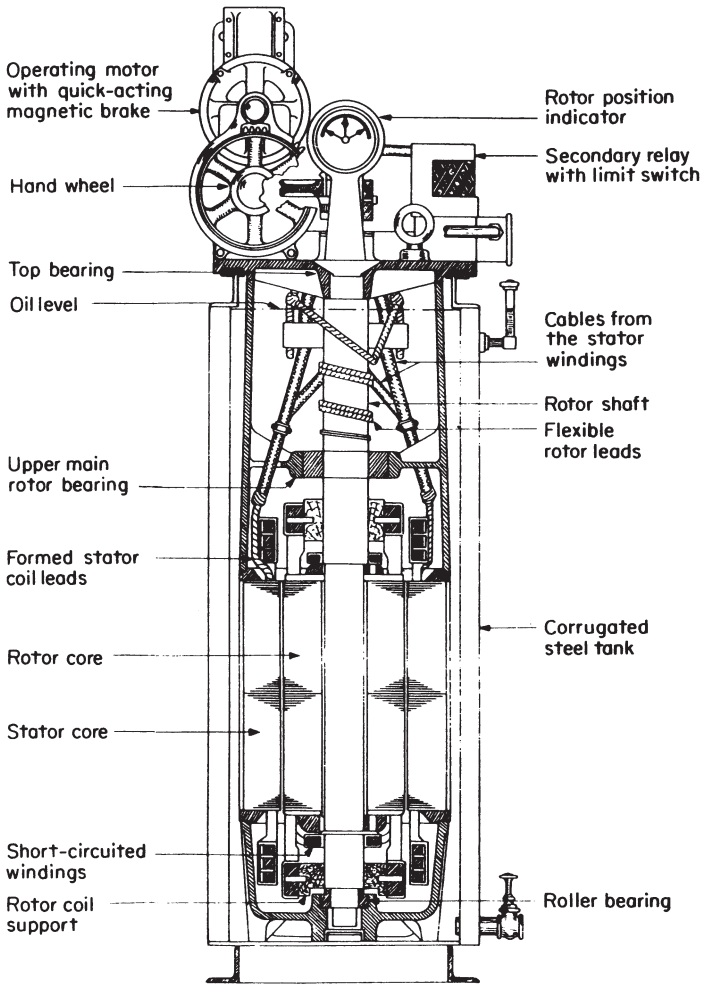


Figure 13-5. Cross section of typical induction voltage regulator. (Courtesy Westinghouse Electric Co.).

### VOLTAGE REGULATORS

Voltage regulators may be of the induction type or the TCUL or step type, and have been described in Chapters 4, 7, and 12. A cross section of an induction regulator is shown in Figure 13-5. Regulators are rated by voltage classification in kV and the plus-minus percent voltage-

regulation capability. In step-type regulators, the percent voltage of each step and the number of steps is often also specified. The current or kVA capability of the regulators is the same as the maximum voltage change times the full load rating of the circuit in which they are connected.

## STORAGE BATTERIES

Storage batteries constitute a reliable source of dc energy to the control systems in substations. Such control systems may operate at nominal voltages of 6, 12, 24,48, or 120 V, although the latter three are the preferred values. Since the batteries are made up of a number of individual cells, each producing approximately 2 V, a number of them are connected in series-parallel circuits to provide the required voltage and capacity. These have been mentioned in Chapter 7 in connection with the operation of circuit breakers and their associated relays.

The most frequently used batteries are the so-called lead-acid type and the nickel-alkaline type (sometimes also called the Edison battery). The first type employs plates made of lead and sulfuric acid as the electrolyte; the second, plates made of nickel oxide and iron or cadmium, with potassium hydroxide as the electrolyte. Separators are made of treated wood, glass wool, porous rubber, or plastic material. Containers for the lead-acid cells are usually made of glass, rubber, plastic, or asphaltic compositions, with ports or vents for exhausting of gases and renewal of water or acid. Containers for the nickel-cadmium alkaline cells are nickel-plated sheet steel, hermetically sealed, but with valves to allow the venting of gases; the electrolyte needs no replacement.

Storage batteries are usually rated in ampere-hours and their capacity on the basis of an 8-h rate. Battery efficiencies run from 85 to 90 percent, with the lower efficiencies experienced at the more rapid rates of discharge and charge.

Batteries are permanently connected to a dc source usually supplied through small copper oxide or selenium rectifiers from an ac supply, and connected as shown in Figure 13-6.

## MEASURING INSTRUMENTS

Measuring instruments usually include ammeters, voltmeters, watt-hour meters, and kilowatt demand meters; wattmeters, reactive

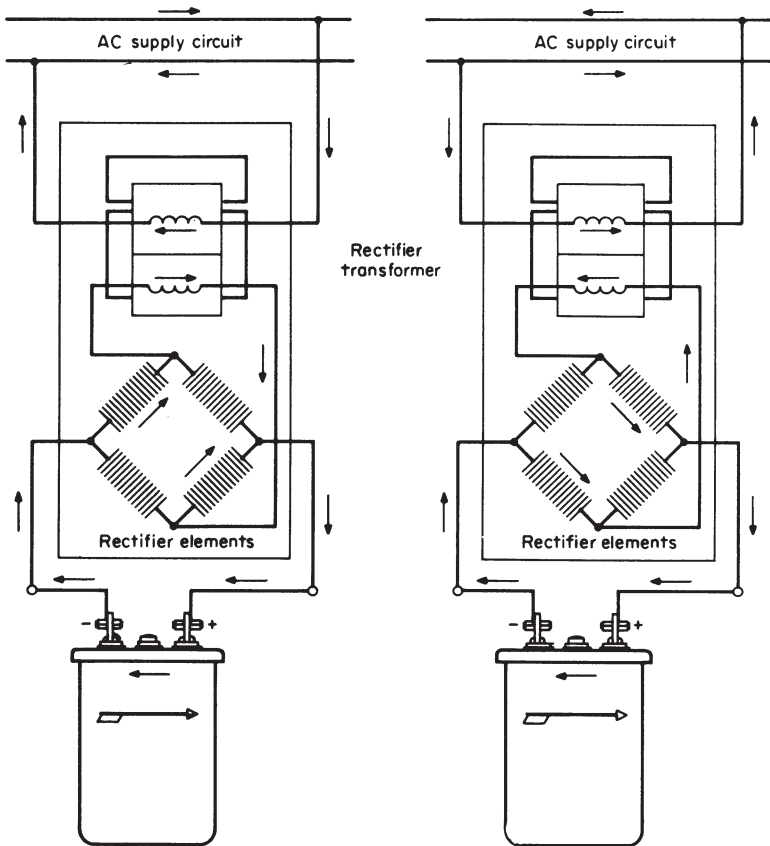


Figure 13-6. Basic rectifier connections for battery charging.

volt-ampere, and power factor meters may also be found in some installations. These have been generally discussed in Chapter 8, and as they are universal types of instruments they will not be described further. Associated current and potential transformers have been described elsewhere.

### CAPACITORS AND STREET LIGHTING EQUIPMENT

Capacitors and lighting equipment have been described in Chapters 4, 5, and 12 and need no further discussion.



## BUSES AND BUS SUPPORTS

Buses and their supports have been discussed in Chapter 7 and need no further discussion.

## ALL SUBSTATION EQUIPMENT

For current information and further details on substation equipment, reference should be made to manufacturers' instruction books and catalogs. Consultation with manufacturers' and suppliers' representatives and engineers will prove most valuable.

**Part Four**

**U.S. Energy  
Policy Act of 2005**

*This page intentionally left blank*

## *Chapter 14*

# **U.S. Energy Policy Act of 2005**

### PREFACE

In an effort to stem or slow the ever increasing gap between demand and supply of fossil fuels (principally oil) reflected in rising prices, the United States Government in its Energy Policy Act of 2005 has mandated some rules and regulations, along with incentives and penalties, to accomplish this purpose.

Briefly, these call for a decrease in the usage of electrical energy supplied by the Utility. The general method is twofold: (1) By accomplishing certain tasks by reducing or eliminating the use of Utility generated energy; and (2) by generating of electric energy using replenishable fuels, designated as “green” fuels, to replace or augment the Utility supply sources.

The principal green fuels mentioned are Wind, Sunshine (solar power), Geothermal (volcano, hot springs, etc.) Hydro (water), and Natural Gas (methane). As geothermal and hydro sources imply no important changes in technologies, they will not be considered further in this discussion. Also, natural gas although actually a form of non-replenishable fossil fuel, is included because of its relatively environmentally clean residue emissions, the government included it as a preference to coal and oil; it, too, will receive no further consideration here, leaving wind and solar power sources as the most fruitful areas for further attention.

### WIND POWER

Power available from wind varies as the cube of the wind speed. If the wind speed doubles, the power of the wind (the ability to do work) increases 8 times. One of the effects of the cube rule is that it has an

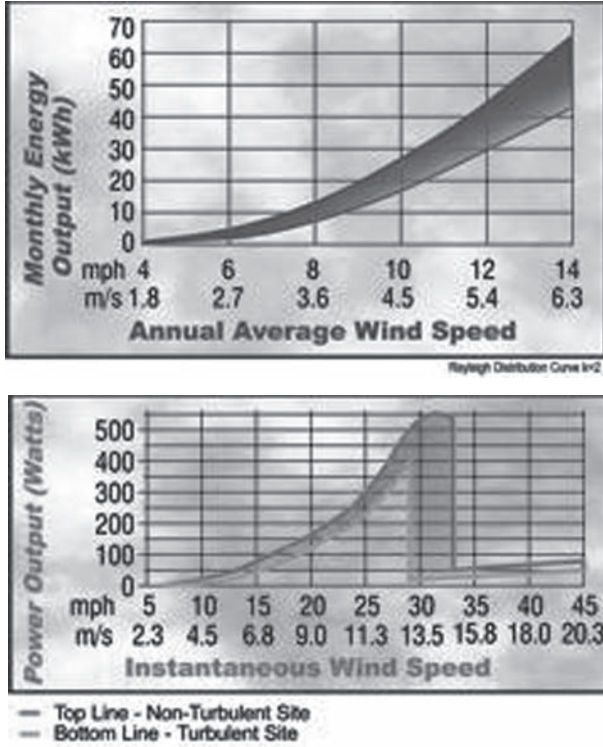


Figure 14-1a. Pertinent data. (Courtesy e-Marine, Inc.)

average wind speed reflecting wide swings from very low to very high velocity, and may have twice or more the energy potential of a site with the same average that experiences little variation. This is because the occasional high wind packs a lot of power into a short period of time.

Wind is used as the fuel to generate electricity in a generator on whose shaft is mounted on a propeller. The unit, mounted in a nacelle, is mounted on a structure sufficiently high to enable a free flow of wind undisturbed by structures, contour of the earth or other impediments below. The propeller may consist of blades whose pitch may be varied automatically to achieve a uniform, steady flow of air, (as in an airplane), and may be “feathered” during periods of exceedingly stormy weather to keep the unit from damage by the wind. The propeller is often surrounded by a circular shield to keep the windflow from disturbance by severe gusts of wind. The whole nacelle unit is mounted on a circular track that enables the propeller to face the wind direction for optimum



**Figure 14-2. Wind turbines.**

use of the prevailing wind.

The output of the generator, usually alternating current, passed through a transformer to attain a voltage suitable, when rectified into direct current, to be stored in a storage battery. When called upon to deliver energy, the current supplied by the battery may be used directly or converted through inverters to an alternating current suitable in voltage, frequency and wave form compatible to that of the Utility supply. It may then be connected to enhance the utility supply, the utility system acting as a sort of storage for the energy produced by the wind.

For environmental reasons, appearance and noise, these units are generally situated away from populated centers, off shore in many instances where undisturbed winds are also an asset. These units are contained in a bank whose collected output is fed through cables connecting them to the utility system. The location and spacing of these units is such that the windflow to each unit is not affected by that of the adjacent ones.

Where such an installation is meant to supply a particular consumer, provision should be made for the utility system to provide electric energy during periods of calm or when stormy weather may call for shutting down the operation. Despite the need for a “tether” connection

to its load, it is the most practical and fruitful employment of wind as a “green” fuel.

### SOLAR POWER

The rate at which solar radiation reaches a unit of area in space in the region of the Earth’s orbit is referred to as the solar constant. Of the energy received, roughly 19% is absorbed by the atmosphere while clouds on average reflect another 15% of the total energy. The generally accepted standard is for peak power of 1020 W/m at sea level. The aver-

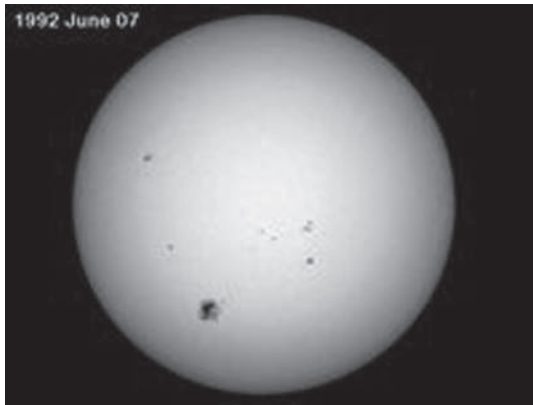


Figure 14-3a. US annual average solar energy received by a latitude tilt photovoltaic cell. (Courtesy of Wikipedia, the free encyclopedia.)



Figure 14-3b. The sun provides 1,400 watts/meter<sup>2</sup> at the distance of the Earth’s orbit, but less at ground level. (Courtesy of Wikipedia, the free encyclopedia.)

age power, which is an important quantity, is lower, when considering solar power. In North America, the average power is between 125 and 375 W/m between 3 and 9 kWhm/day. It should be noted the maximum solar radiation energy intensity is meant here, not the power delivered by photovoltaic panels, which are about 15% efficient. Hence, a solar panel delivers 15 to 60 W/m, or 0.45-1.35 W/m/day (annual day and night average). After passing through the Earth's atmosphere, most of the sun's energy is in the form of visible and ultraviolet light.

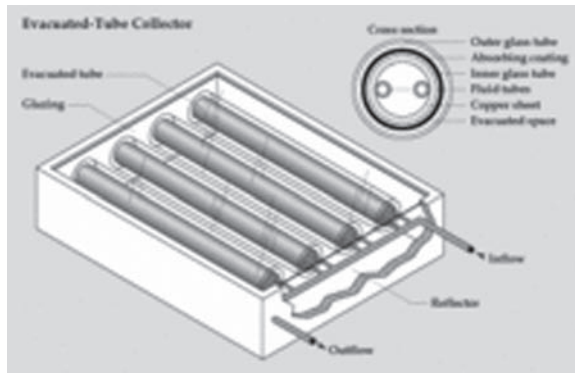
Energy from the sun may be utilized in two ways from heat directly in raising temperatures, and by photovoltaic action in which the rays of the sun act on certain materials producing electrical energy. In the first instance, the heat from the sun that bathes buildings and structures is employed directly or heating purposes, or is captured by coils of tubes in which water or other gels transport this heat to where it may be employed directly or stored in a reservoir of hot water; heat exchanging units may then transport it where needed to other locations or to operate device whose actions are based on heat (e.g. air conditioners based on heat). These heat accumulation devices may be incorporated in the design and architecture of the buildings and structures, thus relieving wholly or in part the use of utility supplied electrical energy that regularly exercise this function.

More important to this discussion is the generation of electrical energy from the rays of the sun acting on certain materials, notably silicon, in vacuum tubes or in what are known as photovoltaic cells that produce electrical energy. While this energy is relatively small, the amount depends not only on the intensity of the rays, but on the area exposed and also on the length of time of exposure. The energy thus created is direct current and is collected in storage batteries, from which it is converted to alternating current through inverters to voltages, frequencies and wave shapes compatible to those of the utility system supply connection of this energy may be used on the premises, added to the utility supply, to both, the last also acting as a storage and a back-up source when darkness or other conditions cause the photovoltaic action to cease. Essentially, this is just another cogeneration example—unlike wind power generators, they require no “tethers” for utilization of the energy thus created. While the amounts produced so far are relatively very small, the technology producing them appear to hold great promise. Some units are provided with dual facilities, photovoltaic cells for producing electricity and coils of tubes for circulating the water or gels that absorb the heat of the rays of the sun.





**Figure 14-4a.** A photovoltaic cell produces electricity directly from solar energy.



**Figure 14-4b.** Evacuated (or vacuum) tubes panel.

## OTHER “GREEN” FUELS

The hydrogen fuel cell to produce electrical energy, while practical as a new technology, has proven uneconomical. The cost, or amount of energy expended in providing the flow of hydrogen, at the present time, appears to be greater than the cost of or the amount of energy so produced. The principle must await other technological improvements before resuming.

Another “green” fuel may be found in vegetation. For example, corn stalks and leafage may be burned to produce heat, while the corn itself may be squeezed to produce oil that may also be burned, or it

may be distilled producing alcohol that may also be burned or used to "dilute" gasoline to produce ethanol. Again, except in a very few special cases, economics would stifle any extensive application. Other grains would also be excluded.

## CONSERVATION

Replace incandescent lighting with fluorescent ones. Reduce IR losses with adequate wiring. Replace single-phase motors with three-phase ones when possible. Turn off lights and appliances when not in use.

Rearrange tasks so that several can be worked with the same lighting. Rearrange operation of devices and appliances so that loads do not coincide. Where possible, have such devices and appliances operate during off-peak hours (e.g. dishwashers, clothes washers).

Other common-sense suggestions.

## STORAGE

Storage of electrical energy is still confined generally to storage batteries. Feeding such energy from cogeneration operation into the utility system may be considered as a form of storage. For relatively large amounts, conversion into heat for storage for any length of time is prevalent. For short periods, controlled discharging of capacitors may be employed, e.g., to keep machines rolling during switching interruptions; mechanically, flywheels also are useful.

## THE PRIMARY CIRCUIT

In the quest for service reliability, the secondary network is designed to have a number of primary feeders supply a grid or network, Figure 2-19 (p. 31). Spare capacity, properly positioned, is included so that the interruption of one or more (in accord with design criteria), may be out of service while the spare capacity picks up the load so dropped continuing acceptable standards of quantity and quality during the period of contingency. Other less expensive methods may result in comparably satisfactory reliability of service.

*This page intentionally left blank*

**Part Five**

**Other Design  
Considerations**

*This page intentionally left blank*

## *Chapter 15*

# **Nontechnical Considerations**

### INTRODUCTION

The maintenance of good employee, consumer, and community relations cannot be divorced from the planning and design of distribution systems. Indeed, along with the other functions connected with the utility's business, these must be considered an integral part of the distribution engineer's responsibility. The distribution system involves not only the utility's employees, but contact with every consumer at some stage in the process of providing and maintaining electric service. Moreover, electricity is intimately connected with the life of a community as a whole. The distribution engineer, therefore, must be ever conscious not only of the obligations of a fellow employee and a good neighbor, but also those of a good citizen.

The technology and expertise which the distribution engineer brings to the problems of safety, quality of service, and economy must also be extended to include those involving nontechnical considerations. While the previous chapters deal with the resolution of technical questions employing the natural laws of science and mathematics, the solution to nontechnical problems requires the employment of heavy dollops of common sense.

### SAFETY

Safety to the employees and the public (who are, after all, the distribution engineer's neighbors) has been previously discussed in terms of electrical and mechanical technical considerations (e.g., selection of utilization voltages, adequate strength of poles and conductors, etc.). In addition, however, several other considerations should be taken into account.

**Accessibility**

As much as practical, the utility's facilities have to be both accessible (to the workers) and inaccessible (to the public). For example, a distribution pole line should be so located that free and easy access to the facilities is available at all times, yet it should not interfere with pedestrian and vehicular traffic, nor intrude into areas (such as playgrounds) where its presence may constitute a particular hazard. This accessibility and inaccessibility should prevail even under adverse or contingency conditions.

Moreover, the conductors and equipment on the poles should be so situated that they can be handled safely by the people working on them. This not only implies providing sufficient working space, but includes considerations of how the work may be performed safely. Safe methods include the use of protective equipment (such as rubber gloves and sleeves, line hose, etc.), the use of live-line tools and equipment, and the deenergization and grounding of the facilities on which work is to be performed. This last, in turn, may include the design of additional facilities to maintain service, as much as practical, to the consumers involved.

The continual development of new and better tools and equipment is also reflected in the design of distribution lines. For example, the development of bucket trucks and plastic insulation resulted in "armless" construction wherein cross arms are eliminated and insulated conductors are spaced closer together chiefly to obtain a more desirable appearance.

Horizontal and vertical clearances between the power line and adjacent structures must take into account the possibility of contact with television and radio antennas, flagpoles, and other encumbrances that may exist on, or may later be added to the structures rather than being limited only by technical or code requirements.

Clearances are specified in the National Electric Safety Code, and in local rules and regulations. These, it must always be remembered, are only recommendations for minimum values. The judgment of the distribution engineer can, and must, supersede them when other factors make exceeding these values desirable, if not imperative.

**Maintainability**

Each item selected, and its place in the distribution system, must be viewed in light of its possible failure or malfunction for whatever reason.

Provision, therefore, must be made in the design for adjustment, repair, revamping, or even replacement, should that occasion arise. The design of the distribution system, therefore, should take into consideration the method of maintaining each of the several elements making up the distribution system.

### *The Distribution System*

In general, the safest means is to be able to deenergize and ground the particular item requiring maintenance, preferably without affecting the remainder of the circuit. Circuits, both primary and secondary, are arranged so that small sections may be deenergized by interconnecting the remaining portions to other sources, by means of some sort of switches. Smaller pieces may be deenergized by means of hot-line or live-line clamps.

Where deenergization is not practical, work may be carried out by insulating the worker. This is accomplished by protective gear, such as rubber gloves, sleeves, blankets, line hose, insulator hoods, and other, similar devices. Another method insulates workers from ground by having them work from insulated platforms or insulated buckets mounted on line trucks. Still another means involves the handling of the energized facilities by tools having sufficient insulation properties which, properly handled, enable the worker to accomplish required maintenance by essentially a remote operation of the tools; this is referred to as live-line, or hot-line, maintenance. To facilitate such operations, appropriate details and modifications are included in the design of distribution systems, e.g., wider spacing of conductors; hot-line ties that hold conductors to the insulators; "unnecessary" extensions of primary and secondary mains so that mains butt each other, permitting their temporary connection during contingencies by means of jumpers; the arrangement of terminals at substations to accommodate portable substations; and the limitation of buried cables in URD systems to enable their bypass by an emergency length of cable laid on the ground during cable failures.

### *Equipment*

Design for maintainability also extends to individual pieces of equipment installed on the distribution system. For example, in both substation and distribution transformers, provision is made so that taps can be changed through a hand hole in the cover of the transformer (while it is deenergized), bushings can be repaired or replaced, or oil



changed, without the necessity of removing the transformer to the shop for dismantling.

## QUALITY OF SERVICE

There is more to the quality of electric service to the consumer than the electrical and mechanical considerations described in previous chapters. The selection and maintenance of proper voltage, of materials and equipment of ample capacity, and the maintenance of frequency within very rigid limits all contribute to the quality of electric service rendered the consumer. Equally, if not more, important, however, are service continuity and environmental considerations, which also play a large part in the high standard of quality established by the power suppliers in this country.

Continuity of service may be affected by the nature of the area served. For example, if the facilities are to be installed in a heavily treed area, initial and periodic tree trimming may be required, and armless design with insulated conductors, or the installation of an overhead sheathed cable, may also be specified in order to have a minimal effect on the trees. Indeed, if the aesthetic value of the trees is prized by the consumers in the area, good consumer and community relations may dictate consideration of underground construction. Similarly, areas exposed to severe storm or wind conditions, or to lightning displays, may require additional considerations, as will areas of atmospheric pollution such as concentrations of salt spray or chemical contamination. Also, the proximity of airports and military bases may introduce additional sources of hazard that may require relocation or undergrounding of facilities.

Occasionally, underground installations may also require remedial or preventive considerations. For example, chemical action from minerals in the soil, and from electrolytic action caused by stray direct currents from railroad return circuits or by those generated by the presence of dissimilar elements (usually metals) either in contact with each other or immersed in soil chemicals acting as electrolytes, may be such as to require special considerations. Some have been mentioned in the previous chapters, but relocation of facilities or their installation overhead may be the individual solutions to such problems.

Moreover, both overhead and underground systems in particular areas may be subject to the effects of hurricanes, tornadoes, floods, earth-

quakes, landslides, and other destructive acts of nature. The incidence of their occurrence may substantially affect the planning and design of distribution systems in those areas.

In addition to the environmental problems brought about by nature, other environmental problems, usually concerning appearance, may affect final plans and designs. These may arise from the desires of single consumers, from groups of consumers, or from the community as a whole. In areas where property values may be adversely affected by the appearance of utility facilities, alternate plans and designs may need to be considered. For example, installation of overhead facilities along rear-lot property lines to improve appearance is sometimes considered, although access to the facilities, while not restricted, may be hampered. Armless construction has also been discussed. Other measures may include the substitution of concrete or metal poles for wood poles, and the coloring of poles (wood, concrete, or metal) and visible equipment (transformer and capacitor tanks, insulators, etc.) to blend with the surroundings, or with the sky.

Community pride in government buildings, civic centers, historical structures, and landmarks may call for special attention and treatment, which the distribution engineer must recognize; the engineer might also seek to participate in the determination of preservation measures.

The interests and desires of members of a community are often reflected in ordinances and regulations promulgated by their representatives on appropriate boards and councils of authority. In many cases, the statutes specify the community's relationship with the electric utility serving it and, more specifically, the design of facilities to be installed. Revenues from the community may or may not justify their demands, but the distribution engineer has little choice but to modify the designs to meet the requirements.

## ECONOMY

### **Operating Modifications**

In the planning and design of distribution systems, the economics of the cost of installation (including materials, equipment, labor, engineering, and overhead) to serve a given load are generally determined by Kelvin's law; i.e., that combination of designs and equipment whose annual carrying charge is equal to the annual cost of losses sustained

therein usually indicates the economic preference among the several designs under consideration. The designs are often modified by the distribution engineer to provide spare capacity to serve future load growth. The amount of additional expenditures that can be justified may be calculated by determining the future worth of present expenditures (or vice versa). This, however, may be based on many assumptions of which the distribution engineer may be unaware; therefore the engineer must use discretion and experience in selecting the proper ones for study.

As indicated above, the conclusions reached from economic considerations may be substantially modified because of special conditions that interpose themselves for geographic, seasonal, or environmental reasons.

### **Standardization**

Even after all of these factors have been taken into account, the use of standardized sizes, kinds, and types of materials and equipment again skews the economics and may seriously affect the cost-effectiveness of the final design and construction.

Standardization, however, permits substantial economies to be realized. It enables quantity purchase of materials at lower unit costs as well as the purchase of fewer items and smaller overall amounts to be stocked; it also allows fewer and more specialized tools to be employed. It makes for the interchangeability of materials, equipment, and tools; and because such standardization leads to standardized construction and maintenance practices, it also permits the interchangeability of personnel.

Indeed, such standardization of materials and work practices also tends to result in greater safety to and productivity from the work force. Training can be more effective if concentrated on fewer and more repetitive tasks. In addition to humanitarian considerations, these contribute to more efficient and economical operations.

The utilization of such standards may disturb the economic optimization sought, as its effect on cost-effectiveness may be negative for an individual project. On overall balance, however, such standardization results in positive improvement in the economics of distribution design.

### **Civic Improvement**

Another instance in which the discretion of the distribution engineer is exercised is that in which projects of reinforcement, rebuilding,

or modernization of distribution facilities cannot be ordinarily justified economically. Advantage is taken, however, of other activities, usually associated with civic improvements such as road widenings, sewer, water-line, and subway construction, beautification programs, and similar projects, which may necessitate the handling, making safe, or temporary relocation of the distribution facilities. Here, logic would indicate the undertaking of changes that would otherwise not have been justified from a strictly economic viewpoint.

## CONCLUSION

These are only a few examples in which recommendations based solely on tangible technical considerations may be overridden by nontechnical considerations influencing the design of the distribution finally selected.

The distribution engineer, therefore, must not only be aware of new and improved materials and equipment, but must be cognizant of changes in codes, regulations, and construction and maintenance standards and practices. Many of these are brought about by the development of new methods as well as new materials and equipment; many are also influenced by the changing public expectations resulting from changing social values and economic conditions. Indeed, the engineer must not only keep abreast of such changes, but should be an active contributor to them.

In selecting each item and designating its place in the distribution system, the engineer must examine step by step its impact on safety, service quality, and economic results before making a final determination and issuing orders to the field.

*This page intentionally left blank*

## Chapter 16

# Operating Considerations

### INTRODUCTION

There are yet other requirements which the design of distribution systems must meet, other than those of meeting the consumer's and community's needs and desires. The additional requirements, in the main, have arisen from the changing national economic and energy situations. Collected under the general subject of operating requirements are the installation and arrangement of facilities to achieve a better quality of service, but also a more efficient distribution system and a more economical overall electric system from the generating plant to the consumer's premises.

The operations may be classified into four specific functions and may be listed under simplified headings:

1. Quality of service
2. Load shedding
3. Cogeneration
4. Demand control (or peak suppression)

These are somewhat interrelated, and all involve the distribution system.

### QUALITY OF SERVICE

Operations involving the improvement of quality of service to the consumer have been discussed in previous chapters, and include measures to:

1. Isolate faults and restore service to the unfaulted portion of the distribution system
2. Transfer loads between phases or between circuits to relieve overloads or potential overloads, and improve voltage conditions

3. Switch on and off capacitors installed out on the distribution feeders (and in the substations) to improve power factor, reducing the value of current flowing and releasing capacity of distribution facilities, with resultant voltage improvement
4. Enable portions of the distribution system, including the substation portion, to be deenergized for construction and maintenance purposes without affecting the remaining portion of the circuit

Designs of distribution systems include provisions for carrying out these operations by means of suitable circuit extensions and switches. With the development of electronic and miniaturized systems of control and communication, many of these operations, generally performed manually and sometimes with a significant lapse of time, may now be performed automatically almost instantaneously.

## LOAD SHEDDING

### **Why**

The need for load shedding stems from two general causes, usually unforeseen:

1. Lack of sufficient power supply.
2. Lack of sufficient transmission or distribution load-carrying ability.

These conditions may come about from:

1. Load growth faster than the construction of new facilities can be accomplished.
2. Abnormally high unforeseen demands that are created by unusual seasonal changes or by some special events that cause a significant loss in diversity of consumers' loads.
3. Failure or overload in some element or elements of the supply facilities; e.g., transmission line failure, substation transformer failure, etc., for a prolonged period.

## How

In this context, load shedding implies decreasing the load on the substation bus, substation transformer, or incoming transmission line. This may be accomplished in two basic ways:

1. Voltage reduction.
2. "Brownout," or periodic disconnecting of feeders for relatively short periods of time on a predetermined schedule. In rare instances is resort had to the employment of both of these methods at the same time.

### *Voltage Reduction*

Voltage reduction may be accomplished by manipulating voltage regulators at the substation on individual feeders, or on the substation bus, where the substation's voltage is so regulated. Voltages may be reduced by steps according to the amount of load shedding required. In circuits that supply essentially lighting or unity power factor loads, a 1 percent voltage drop results in almost a 1 percent drop in load.

Steps may be 1 or 2 percentage points each to a maximum of about 8 percent; more often, however, voltage is lowered in two steps, (say) 5 percent and 8 percent.

Lowering voltage beyond this 8 percent value may prove self-defeating as light output from incandescent lamps decreases to the point where additional lighting may be turned on. Fluorescent lighting is also affected as maintenance of the electron flow in the fluorescent tube becomes tenuous. Power loads usually continue to operate satisfactorily at the lower voltage, drawing more current, so that they have little effect on load reduction. This increase in current, however, may cause overheating, loss of torque, and other undesirable conditions to take place.

In some instances, the lowering of voltage may take place on the transmission or subtransmission incoming supply circuit or circuits when they are equipped with voltage regulators at the sending ends. In this event, the voltage regulators on the distribution feeders (or on the distribution feeder bus) at the substation may have to be blocked in a fixed or neutral position so as not to negate the effect of the reduced voltage on the incoming supply.

Regulators installed in the field on portions of primary circuits, for practical reasons, are usually left alone and allowed to travel to their



maximum position if necessary. The relatively small amounts of load that can be shed by attending to these units is often not worth the effort necessary to adjust them to nonautomatic operation at the start and to return them to automatic operation at the end of a usually short period of time.

#### *Distribution System Problems*

Where distribution feeders are deliberately designed to accommodate such lowering of voltage below normal values, it may be necessary to reinforce or provide for some consumers, usually at the ends of primary circuits. These may have a sufficiently low normal voltage that the additional drop may cause damage to some of their connected loads. In most cases, provision involves the shortening of secondary mains and the more closely spaced installation of transformers; also, taps may be set for a lower (or the lowest) ratio of transformation. Sometimes, the installation of a booster transformer in those farthest sections of the primary circuit will accomplish the purpose. In any event, this feature requires investigation and the taking of necessary measures preferably before the need for such voltage reduction to shed load is placed in effect.

Where the need for voltage reduction stems only from some deficiency in the distribution system, that deficiency should be identified and removed as quickly as possible; such a need might occur in the case of overloads in an outgoing underground cable supplying a feeder where the cable carries too great a load under normal conditions, or under contingency conditions where it may be called upon to carry the load of an additional circuit or circuits, or parts of them.

#### *Low-Voltage Network*

Where the feeders supply a low-voltage secondary network, extreme care must be exercised in lowering the voltage on the supply primary feeders. Operation of the regulators must be coordinated so that the voltage on each of the feeders is lowered as simultaneously as practical to prevent opening of network protectors on the feeder if its voltage alone is lowered. In turn, the additional load picked up by the feeder or feeders whose voltage is not lowered may cause "hunting" between the protectors of the several feeders, or may cause feeders to trip from overloads in a cascading effect that would shut down the network. In some instances, the overcurrent relays on the feeder circuit breakers may be blocked to prevent feeders from tripping from temporary overloads until

all the regulators have been adjusted and locked in at the desired lowered voltage level. If the voltage lowering operation is to be a relatively frequent occurrence, relay settings on the network protectors in the field may be made sufficiently insensitive to keep the protectors from hunting and the feeders from cascading out.

### **Brownout**

Brownout is a procedure in which feeders are taken out of service for a relatively short period of time on a predetermined basis, usually one at a time, to reduce the demand on the substation supply transformers or on the facilities back to the generating station. Critical loads, such as hospitals and military bases, are usually supplied from two sources with double-throw facilities to accomplish a switch over to an energized source, either manually or automatically. Where this arrangement does not exist, it may be necessary to sectionalize that portion of a feeder supplying such critical loads, connecting it to an energized feeder when its normal supply feeder is deenergized. In some instances, where more than one critical load may exist on a feeder, that feeder may be exempt from the brownout procedure. Feeders supplying low-voltage networks are usually exempt as the load dropped by them in such an operation would be picked up by the others supplying the network, and the net reduction in load would be very nearly zero.

## COGENERATION AND DISTRIBUTED GENERATION

Basically, cogeneration involves the interconnection of consumers' generation to the utility's distribution system. Changing energy and economic conditions have made such interconnections feasible in many instances, and, in some areas, mandated by law (e.g., Texas). Large users of steam and hot water have found it economically desirable to generate electricity and use the "waste" heat to meet their steam and hot water requirements. The electricity so produced that they do not use themselves is sold to the utility, usually at an advantageous rate. This is because regulatory guidelines tend to favor a rate paid for power purchased by a utility (the avoidable cost to produce power) to be based on the utility's *least* efficient power plant, whereas the cost of power to a utility consumer is usually based on an *average* cost to produce power.

A smaller version of cogeneration and distributed generation is

designed for connection to the distribution system at strategic points. They are installed for economic and other reasons to supply loads that otherwise would involve generating stations and transmission facilities. They usually consist of small units driven by small gas turbines, and may also include wind, solar, geothermal, fuel cells, and other types of units. They may be consumer or utility owned.

### **Paralleling the Systems**

Paralleling the consumer's generation facilities with those of the utility requires that additional protection equipment be installed at the cogenerator's facilities.

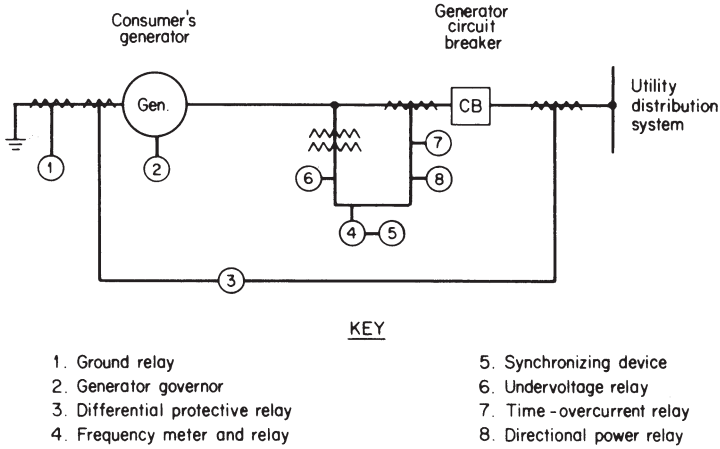
The principal features of this additional protection include:

1. Automatic synchronizing of the generator output with the utility.
2. Relaying to prevent the closing of the circuit breaker to the utility system until the cogenerator's generator is open, for protection of that generator.
3. Relaying to open the circuit breaker to the utility system on loss of power in the utility system.
4. Relaying to open the circuit breaker to the utility system on a ground fault on the utility system.
5. Relaying to control the cogenerator's generator circuit breaker to provide generator overcurrent protection, phase current balance protection, reverse power protection, under- and over-frequency protection, and under- and overvoltage protection.
6. Control of engine governor equipment for speed, generator phase match, and generator load.

The electrical connections and indicated protection are shown on the one-line diagram in Fig. 16-1a.

### **Modes of Operation**

There are several load relationships that may exist between the cogenerator and the utility:



**Figure 16-1a. One-line diagram of minimum protective relaying for cogeneration and distributed generation installations.**

1. The cogenerator always supplying power at a constant rate; i.e., the cogenerator supplying a part of the utility's base load.
2. The cogenerator always supplying power in variable amounts, fluctuating with the consumer's needs; i.e., the cogenerator supplying only a marginal part of the utility's load.
3. The cogenerator and the utility both supplying the consumer's requirements on a normal or contingency basis.
4. The utility supplying all of the consumer's requirements on a contingency basis.

**The Distribution System**

The variation in the modes of operation not only may affect the settings applied to the protective relays, but may influence the design of the utility's distribution system. Obviously, the distribution facilities required will vary with the mode of operation, and the problem of maintaining voltage within acceptable limits as conditions change (e.g., from mode 1 to mode 4 above) may tax the engineer's ingenuity. The wide variations that may take place in voltage profiles and current distribu-

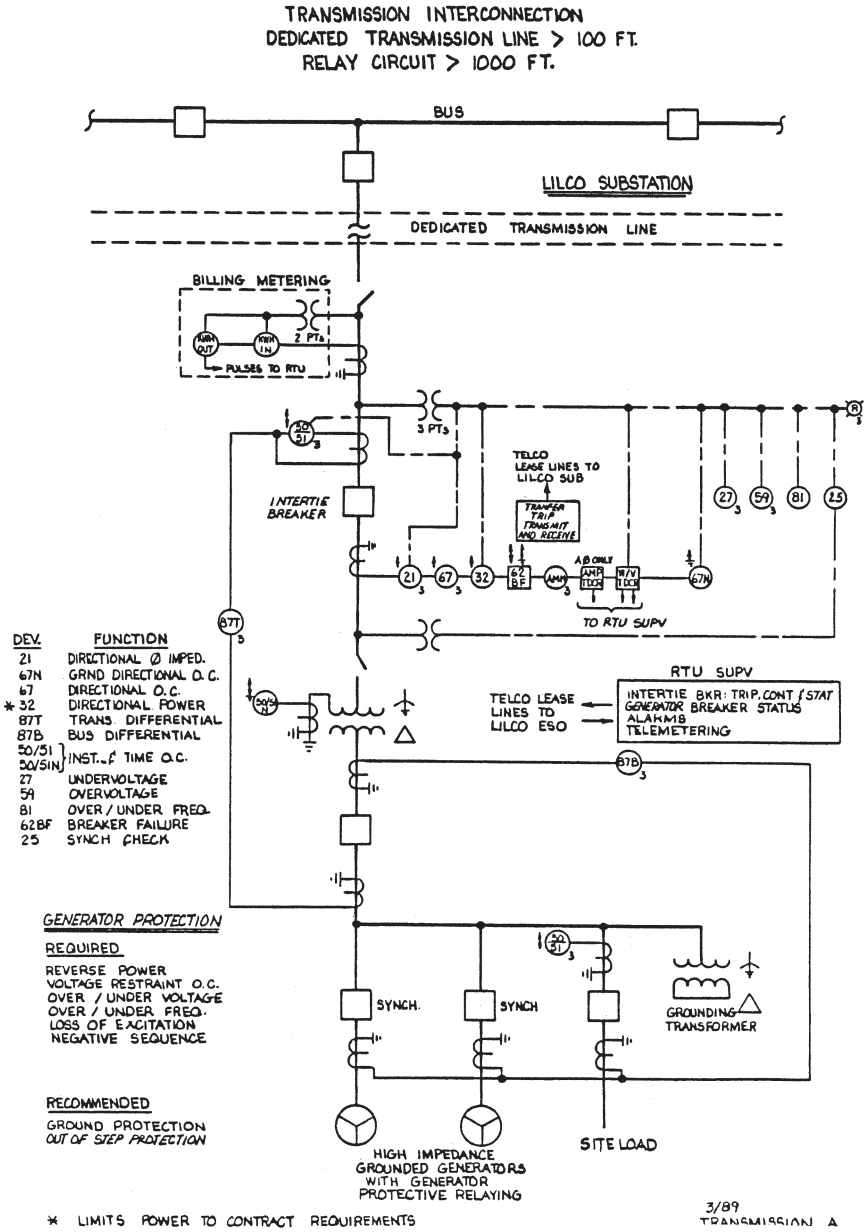


Figure 16-1b. More detailed wiring diagram of relaying and other protective devices for cogeneration and distributed generation instructions.

tion in the distribution circuit to which the cogenerator is connected may require rearrangement of the circuit configuration to maintain safe and acceptable standards of electricity supply. These may require the installation of additional switching facilities to achieve desired sectionalization and rearrangement; preferably the switches should be automatically operated. Moreover, as generators are usually under control of one operating group while the distribution system is controlled by a separate group, some difficulties in coordination may arise.

## METERING

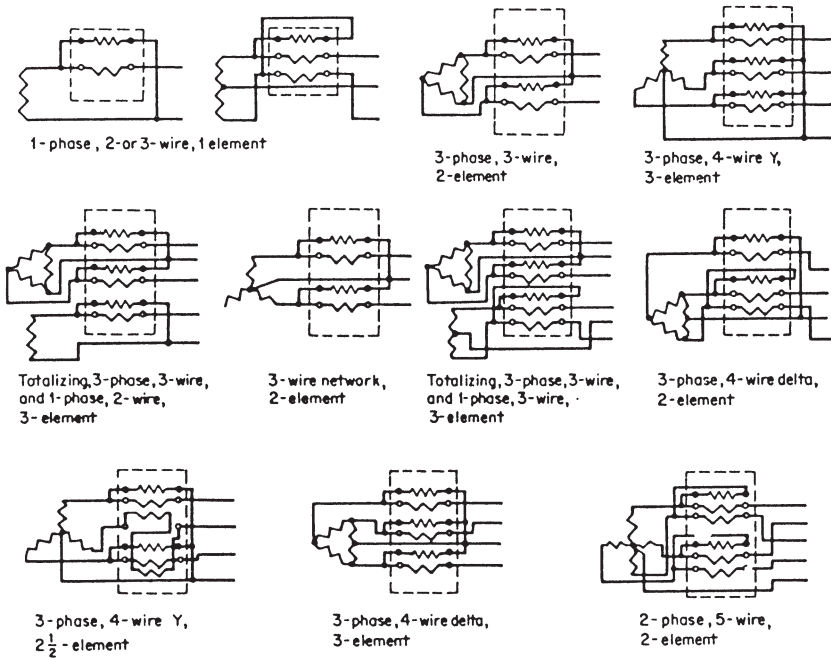
Metering in an electric utility falls into two broad categories: metering for the billing of consumers, that is, for revenue reasons, and metering for operating and monitoring the functions of the several elements of the electric system so as to achieve efficiency and economy in the costs of operation. While these two categories apply to separate and distinct functions, with the advent of digital computers, the data collected for billing purposes may be employed in furthering operating and monitoring purposes.

Billing meters include watt-hour meters, wattmeters or demand meters, meters for measuring reactive power (volt amperes), and power factor for larger commercial and industrial consumers. In the case of larger consumers, the meters may be of both the indicating and recording types, and instrument transformers used to reduce the actual quantities to safe and manageable values. Schematic diagrams of different meter applications are shown in Figure 16-2.

Operational and monitoring meters include, in addition to those mentioned, ammeters, voltmeters, frequency meters, thermometers, barometers, clocks, and indicators and alarm units associated with them. Here, too, metering may be of both recording and indicating types and instrument transformers are almost always employed.

Where cogeneration exists, meters installed may be used for both purposes.

In measuring power in a polyphase circuit, separate wattmeters or watt-hour meters may be connected in each of the phases and the values added algebraically to obtain the total demand or consumption. However, equal accuracy may be obtained by using one less of these meters, the remaining ones being connected properly among the phases



**Figure 16-2. Schematic diagrams of meter applications for different types of distribution systems. (Courtesy Westinghouse Electric Co.)**

of the polyphase circuit. This is known as Blondel's theorem and may be stated:

"In any system of  $N$  conductors, the true power may be measured by connecting a wattmeter in each conductor but one ( $N-1$  wattmeters), the current coil being connected in series in the line and the potential coil connected between that line and the line that has no current coil connected in it; the total power is the algebraic sum of all the readings of the wattmeters so connected."

If the power factor of the circuit should be approximately 50 percent or less, it is probable that one of the wattmeters will register a negative value, in which case it may be necessary to reverse the connections to the terminals of the current or potential coil; should the power factor

become greater than the 50 percent, it will be necessary to change back that connection.

#### REMOTE METER READING AND DEMAND CONTROL

Electronic developments that have made e-mail (and the internet) inexpensive and universal means of communication have also made practical the remote reading of consumer's meters. Periodic inquiry automatically sent to each consumer identifies the meter and records the dial consumption and other data, transmitting it to the computer center where it may be automatically processed, producing the bill sent to the consumer.

In some cases, usually commercial and industrial consumers, where it is desired to hold down their demands by arranging their loads not to coincide, and where practical to be scheduled for off peak hours (usually evening and early morning hours), the same means of communication is used to operate relays and switches to accomplish this purpose, often employing the same reading facilities.

#### TRANSFORMER LOAD MONITORING

The same computer that translates meter readings into consumers' bills may also be programmed to make selected summaries of such data, simultaneously converting consumption into loads and demands on the several elements of the electric system, but principally on the distribution system. The grid coordinate system of mapping, described in Appendix G, facilitates this collection and conversion of data.

The computer totals the consumption of all of the consumers supplied from one distribution transformer over the billing period of time; factors are applied to these totals to convert them into demands in kW or kVA. Conversion factors are derived and updated periodically by sampling methods. In like manner, the consumption of the transformers on each phase of a distribution circuit may be summarized to determine the maximum demand of the circuit. Applying the same method, the demands on the substation bus and supply transformers may be closely approximated, as well as losses on each feeder. Such data may be used



for balancing loads on phases of a circuit, between circuits, and even between substations.

The computer may also be programmed to determine changes in the average demand per consumer, identifying transformers and other elements of the electric system that exceed predetermined values uncovering overloads and potential failures. Hence, damage or destruction of facilities may be averted, improving the reliability of service to consumers and permitting better and more economic planning and design of transmission and distribution systems.

### POWER FACTOR CORRECTION

At some large consumers, along with the kilowatt-hour consumption, the reactive kilovolt-ampere hours load is measured (by inserting a reactor, shifting the voltage by 90°), and by properly interrelating these quantities, the average power factor of a consumer over a billing period of time may be determined. Rate schedules may provide rewards or penalties reflecting the consumer's power factor. Correction measures may then be applied, if desirable.

### DEMAND CONTROL

This subject has been discussed earlier. The data supplied to the relays or computer supervised machines may be derived from the same meters used for billing purposes.

One, so-called "Ideal Rate," method is illustrated in Figure 16-3. This method depends on the establishment of an ideal rate curve with two offset lines: one to establish a load shed point before the ideal rate is exceeded, and one which allows loads to be restored. Separation between these lines can be adjusted to meet local requirements such as minimum off-on times for equipment. It should be noted that the ideal rate curve does not begin at zero at the start of the demand interval as the "instantaneous rate" curve does. Rather, it starts from an established offset point that takes into account nondiscretionary loads. If this were not done, the lower shed line would keep all equipment off at the beginning of each interval.

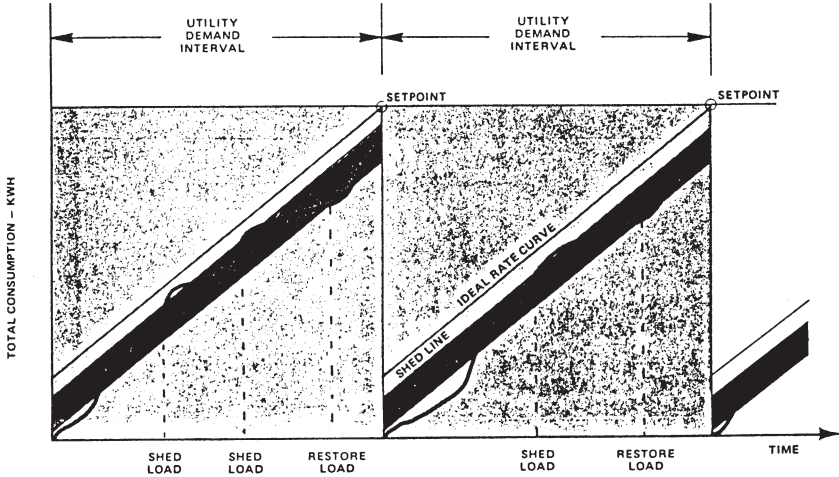


Figure 16-3. "Ideal rate" method of demand control. (Courtesy McQuay-Perfex Inc.)

The slope of the ideal rate curve is then defined by the offset established for the shed line and the chosen demand set point. The main advantages of the ideal rate method controllers are the ease with which operational modifications can be made to optimize their use (e.g., changing offsets), and their low costs due to restricted computational requirements.

The main disadvantage is that this type of controller must be synchronized with the utility's demand meter to make sure it is controlling over the same interval that the utility is averaging demand. Some utilities may be unwilling to provide the "end of interval" timing pulse that is required to establish this synchronization.

### DEMAND CONTROL (OR PEAK SUPPRESSION)

From an economic viewpoint, it is desirable to hold down the peak load or maximum demands on all the parts of the electric system-generation, transmission, and distribution. This has the desirable effects of reducing plant investment and at the same time reducing operating expenses (fuel) because of reduced  $I^2R$  losses. This has been touched upon in Chapter 8.

Load shedding as described above is a form of demand control or peak suppression, but is associated with contingencies usually of a temporary nature; demand control applies to a permanent reduction in maximum demands as a normal condition.

### **Basic Concept**

For a utility, the most efficient use of its facilities, from an investment point of view, is to use them throughout their lifetimes at maximum loads. By definition, if this were done, the load factor for the facilities would be 100 percent. This does not occur, because some consumer loads are not always required and are turned off. The closer the utility can approach 100 percent load factor, however, the better the investment can be utilized, and the lower a unit of output can be priced.

The load factor concept in supplying a given load applies equally well whether it is applied to the utility itself or to a single consumer. For example, it is not unusual for a utility to have an annual load factor of 50 to 60 percent because of seasonal air-conditioning loads; this implies that a great part of the facilities used to meet summer peak demands will remain idle the rest of the year.

Typical load factors range from less than 20 percent for some residences to over 90 percent for some industrial plants (like some manufacturing plants having large air-filtering installations). In between, office buildings typically may have load factors of 20 to 30 percent and large, three-shift manufacturing plants 70 to 80 percent. Small to medium industries may have load factors ranging from 20 to 70 percent.

### **Conservation**

Demand control is also a conservation measure, as it will substantially reduce losses, in both the utility's and the consumer's facilities. These reductions will be reflected in fuel consumption at the utility's generating plants and in both demand and energy charges (including fuel adjustment charges) in the consumer's bill.

Although the total overall consumption by a consumer may remain the same, the leveling of demands will decrease the *maximum* current flow, though the *reduced* current flow may continue for a longer period of time. As losses ( $I^2R$ ) vary as the square of the current, the lower current should result in a substantial reduction in the total energy requirements of the consumer.

Experience has also indicated that reviews for reducing demand

often discover unnecessary operation of some equipment, and result in elimination of some operations and improved methods of operation—all of which result in decreased energy consumption.

### **Load Management**

Basically, to reduce the demand on its facilities, the utility must seek to reduce the individual consumers' demands. Preferably, the individual consumers' demands should also be coordinated so as to achieve a minimum coincident demand. This latter feature is more difficult of attainment than the first, as it involves cooperation not only between the utility and the consumer, but among a number of consumers as well. Methods for reducing demands differ for large consumers, such as industrial plants, and for small consumers, such as residences; both, however, employ rate incentives.

#### *Large Consumers*

For large consumers this subject was touched upon in Chapter 8, in connection with the demand metering of large consumers and their role in schemes employed for reducing consumer demands. This is important to the consumer, as utility rates include demand charges based on the registered maximum demand. The timing impulses from the demand meter are used in several schemes to hold down demands to predetermined values.

To reduce demand requires that nonessential load peaks be reduced or eliminated. Loads are analyzed into several categories:

1. Those that are essential, that cannot be turned off without affecting safety and operations.
2. Those that may be curtailed or turned off for relatively short periods of time without being noticed (e.g., 10 min out of each hour); they may be programmed to be shut off sequentially for predetermined periods of time.
3. Those that may be deferred, put off to some random off-peak time which may differ from day to day (or other period).
4. Those which may be conveniently rescheduled regularly to off-peak periods.

Typical examples of such categories for large industrial consumers are shown in Table 16-1.

**Table 16-1. Typical categories of large consumer loads.**

<i>Category</i>	<i>Examples</i>
Essential Elevators Production equipment (some) Ventilators (some) Pumps (some)	Lighting (some)
Curtable Heaters Ventilators Refrigerators Water pumps Ovens	Air conditioners
Deferrable Air compressors Water heaters Equipment testing	Coolers
Reschedulable Process ovens Incinerators Trash compactors Battery chargers	Electric furnace

### *Load Cycling*

Cycling involves the turning off and on of individual loads or groups of loads. How long they can be turned off and how often is predetermined, and the off-on times are staggered so that a minimum number of such loads are on at anyone time to achieve the smallest practical maximum demand.

Most automatic demand-control systems employ load cycling

and involve some technique of demand forecasting to determine when loads should be turned off and on. All are based on the consumer's actual consumption, and its rate compared to some predetermined ideal rate. Several methods of obtaining the comparison have been devised yielding different degrees of accuracy and precision; these will not be further detailed as they are not within the scope of this book. Almost all employ pulses obtained from the utility's demand meter for matching the demand under consideration with that being recorded by the demand meter. Demand-control equipment also acts to control "average" maximum demands, leaving the utility still needing to meet the actual or peak maximum demand.

Demand control usually leads to increased off-on switching of equipment. Care must be taken, therefore, to ensure that thermal overloads and mechanical failure of switching devices do not occur because of short cycling of equipment.

#### *Small Consumers*

Most small consumers are residential consumers whose demand is not usually metered. Efforts by the utility to hold down their demands are limited almost to promotional rates which, for practical purposes, cannot be policed. More and more, however, utilities are installing demand meters or clocking devices connected to the larger loads, such as hot water heaters, dish and clothes washers, etc. Consumers are thereby encouraged to install small computer-actuated devices for controlling the turning off and on of such loads; these include supplementary time delays so that the initial inrush currents on the various appliances will not (because of possible loss of diversity) all occur simultaneously, causing service interruption and possible damage to the appliance.

Thermal devices have been developed for storing cold and heat during off-peak periods to be used during periods of electrical peaks. Such devices are also beyond the scope of this book.

#### **Load Management Control**

A number of utilities have assumed control of devices that will switch off loads on their system automatically when undesirable demand levels are being reached. This involves the identification of non-critical loads that can be placed under the control of the utility with agreed-upon constraints regarding maximum time to be left off. Agreements with consumers include favorable "interruptible" rate schedules.

These may be controlled by means of signals transmitted by radio, carrier, or telephone communication. (Similar means of communication are also employed in small residential consumers, mentioned earlier.)

Costs for such demand-control installations are sometimes shared with the (large) consumer, where the same equipment is also used to control the consumer's maximum demand. This demands an almost continuous review to ascertain that a target value set up by the consumer will not run afoul of that set up by the utility.

### **Utility Problems**

The utility generally must meet seasonal and daily load peaks, peaks of relatively short duration. Generation, transmission, and distribution facilities must be provided to meet these demands.

#### *Generation*

Utilities generally have three levels of power generation equipment; base-load units, usually the newest and most highly efficient (as well as the most expensive); midrange units, which are less efficient and are perhaps the most recent of older generation facilities; and units generally operated as peak units, the least efficient and usually the oldest, but sometimes new units specifically designed for this short-term purpose. Controlling system demands, therefore, results in lessened need to operate the least efficient units and, in the long term, defers the addition of the most expensive newest units.

#### *Transmission*

Transmission lines are the bulk carriers of electrical energy, and fall into the same category as generators as far as investment is concerned. Here, too, the older and less efficient transmission lines, usually those operating at lower voltages than the newest lines, constitute part of the transmission network, including those facilities needed to ensure continuity of adequate service in contingencies. Controlling system demands will not only result in lowered *PR* losses, as indicated previously, but will also defer, if not make unnecessary, the installation of new and expensive transmission lines.

#### *Distribution*

The same general observations concerning transmission lines also apply to distribution circuits. Additional distribution facilities (includ-

ing substations) and conversions or construction at higher voltages can be deferred if the system demands can be controlled.

In the case of distribution facilities, however, a problem arises as to the rating of equipment, particularly transformers. The rating of such equipment, though nominally predicated on its current-carrying ability, is actually based on the allowable temperature at which insulation may be subject to failure. This temperature is a function not only of the heat caused by the losses (copper and iron) developed within the unit, but also of the duration of the developed heat. The control of demands on the distribution system will, on the one hand, reduce the maximum values of heat applied (as noted previously), but on the other, may reduce the thermal margin of safety resulting from the duration of the heating cycles. In some instances, no doubt, the net overall effect may be negligible; in others, especially during periods of prolonged hot ambient temperatures, such as exist in summertime, the net overall effect may be appreciable. Units so affected should, therefore, be closely monitored.

## CONCLUSION

The need for conservation of investment capital and use of energy resources indicates the desirability of operating practices that no longer separate the distribution system from other parts of electrical system operations. Moreover, electronic and miniaturization advances make practical the integration and automatic management of such operations. These may be listed as:

1. Load management for conservation and improved overall system efficiency. This may include the direct control of consumer loads (and energy storage where practical), and other means to alter the shape of the utility system load curve.
2. Alternative energy resource management to control utility- or consumer-owned generation which will integrate with the distribution system.
3. Distribution system management during normal and contingency operation, including reporting of interruptions, sectionalizing and



reconfiguration of circuits, remote operation of equipment, load monitoring and reactive power (VAR and capacitors) control, and even remote meter reading for revenue billing purposes.

4. Integrated systemwide control to provide for overall system operation during periods of widespread emergencies.

The distribution engineer, to a greater degree, must take into account the impact of these integrated operations on planning and design practices.

# Appendices

*This page intentionally left blank*

## Appendix A

# Circuit Analysis Methods

### INTRODUCTION

In the analysis of circuits to determine current distribution and voltage drops in the individual parts of the circuits, several basic principles are employed. These call for the reduction of the circuitry into successively simpler forms until a single loop circuit results. Computation of current and voltage values can then be made, essentially reversing the order of simplification, until all the individual parts of the circuit have been analyzed. These procedures are especially applicable to network-type circuits.

#### **Kirchhoff's Laws**

Kirchhoff's laws encompass two fundamental simple laws which apply to both dc and ac circuits, no matter how complex they may be:

1. The current flowing away from a point in the circuit (where three or more branches come together) is equal to the amount flowing to that point. Expressed another way, the vector or algebraic sum of all the currents entering (and leaving, a negative entry) a point is zero.
2. The voltage acting between two points in a circuit acts equally on all the paths connected between the two points. Expressed another way, the vector or algebraic sum of all the voltage drops (or rises, negative drops) around a closed loop is zero.

Applying Kirchhoff's laws to the parts of a circuit, a number of equations between the unknowns can be drawn. The number of independent equations which can be written from the first law is 1 less than the number of junction points; from the second law, the number is equal to the number of branches less the number of junction point equations. The equations can be algebraically solved for all the unknowns. In practice, however, these laws are more often used to check results obtained by other means.

## CIRCUIT TRANSFORMATIONS

**Wye to Delta**

Refer to Fig. A-1.

$$\begin{aligned}
 I_a + I_b + I_c &= 0 \\
 I_a &= I_B - I_c \\
 I_b &= I_c - I_A \\
 I_c &= I_A - I_B \\
 \Delta &= Z_a Z_b + Z_b Z_c + Z_c Z_a
 \end{aligned}$$

and

$$Z_a = \frac{\Delta}{Z_a} = Z_b + Z_c + \frac{Z_b Z_c}{Z_a} \quad Z_b = \frac{\Delta}{Z_b} = Z_c + Z_a + \frac{Z_c Z_a}{Z_b}$$

**Delta to Wye**

Refer to Fig. A-1.

$$I_A = \frac{I_c Z_B - I_b Z_C}{Z_A + Z_B + Z_C} = \frac{(I_c Z_c - I_b Z_b) Z_a}{\Delta'} \quad Z_a = \frac{Z_B Z_C}{Z_A + Z_B + Z_C}$$

$$I_B = \frac{I_a Z_C - I_c Z_A}{Z_A + Z_B + Z_C} = \frac{(I_a Z_a - I_c Z_c) Z_b}{\Delta'} \quad Z_b = \frac{Z_C Z_A}{Z_A + Z_B + Z_C}$$

$$I_C = \frac{I_b Z_A - I_a Z_B}{Z_A + Z_B + Z_C} = \frac{(I_b Z_b - I_a Z_a) Z_c}{\Delta'} \quad Z_c = \frac{Z_A Z_B}{Z_A + Z_B + Z_C}$$

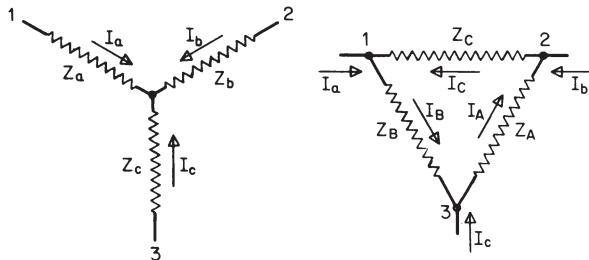
where  $\Delta' = Z_A Z_B + Z_B Z_C + Z_C Z_A$ .

Figure A-1. Delta-wye transformations.

### Changing Bases

To convert  $Z$  in ohms at a voltage  $E$  to  $Z'$ , the equivalent value on a voltage base  $E'$ ,

$$Z' = Z \left( \frac{E'}{E} \right)^2$$

To convert  $Z$  in percent on a kVA base  $V$  to  $Z'$ , the equivalent value on a kVA base  $U'$ ,

$$Z' = Z \frac{U'}{U}$$

To convert  $Z_p$  in percent on a kV A base  $V$  to  $Z_z$  in ohms on a voltage base  $E$ ,

$$Z_z = \frac{3Z_p E^2}{U \times 10^5}$$

and, conversely

$$Z_p = \frac{U \times 10^5}{3E^2}$$

where  $E$  = line-to-neutral voltage and  $U$  = total three-phase kVA.

### Paralleling Two Impedances

Refer to Figure A-2.

$$Z = \frac{Z_a Z_b}{Z_a + Z_b}$$

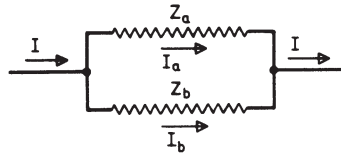
where  $Z$  is the equivalent impedance; and

$$I_a = I = \frac{Z_b}{Z_a + Z_b} \quad I_b = I \frac{Z_a}{Z_a + Z_b}$$

### SUPERPOSITION THEOREM

In a network containing several voltage sources, the current in the several branches may be found by replacing all but one of the voltage sources by their particular resistances (dc) or impedances (ac) and determining the current contributed by the one source in each of

**Figure A-2. Parallel-  
ing two impedances.**



the branches. The process is repeated with each of the other voltage sources, and separate current distribution in the several branches from each of the voltage sources is again determined. The vector or algebraic sum of all of the currents in each branch (as determined above) gives the value of the current in that branch with all of the voltage sources in place.

## SYMMETRICAL COMPONENTS

### General

The method of symmetrical components is essential to the analysis of unbalances between phases of a polyphase circuit.

A balanced three-phase system is represented by three vectors of equal magnitude with a phase displacement of  $120^\circ$ . Normal current and voltage conditions assume balanced phases, allowing the magnitude of the current or voltage of one phase to represent each of the three phases. Calculation of the three-phase performance then involves the analysis of one phase by a single-phase calculation with the result rotated through  $120^\circ$  and  $240^\circ$  to complete the three phases.

The unbalanced three-phase system is represented by vectors whose magnitude and phase displacement are not equal. The equivalent single-phase circuit represented by one phase cannot be used for calculations, as it does not include a measure of the conditions on the other two phases.

For ease of calculation, the method of symmetrical components can be used to separate the unbalanced three-phase system into three components, two being balanced three-phase components, the third a uniphase component. Each of these component systems can be represented by an equivalent single-phase system. Thus, the solution of the component systems separately by an equivalent single-phase calculation and then the addition of the three components in proper phase relation simulates the unbalanced system, the solution of which is desired.

### Symmetrical Component Systems

The unbalanced system of vectors can be divided into three components called the positive-phase sequence components, negative-phase sequence components, and zero-phase sequence components (see Figure A-3). Positive-phase sequence components are balanced three-phase vectors, whose time sequence of maxima occur in the order  $E_a, E_b, E_c$ . Being balanced, the vectors have equal amplitudes and are displaced 120° relative to each other; and

$$\begin{aligned} E_{a1} &= E_{a1} \\ E_{b1} &= e^{j240} E_{a1} = a^2 E_{a1} \\ E_{c1} &= e^{j140} E_{a1} = a E_{a1} \end{aligned} \tag{1}$$

in which  $a$  is the unit vector,  $e^{j120} = -0.5 + j0.866$ , that is, an operator which indicates that a vector to which it is attached has been rotated

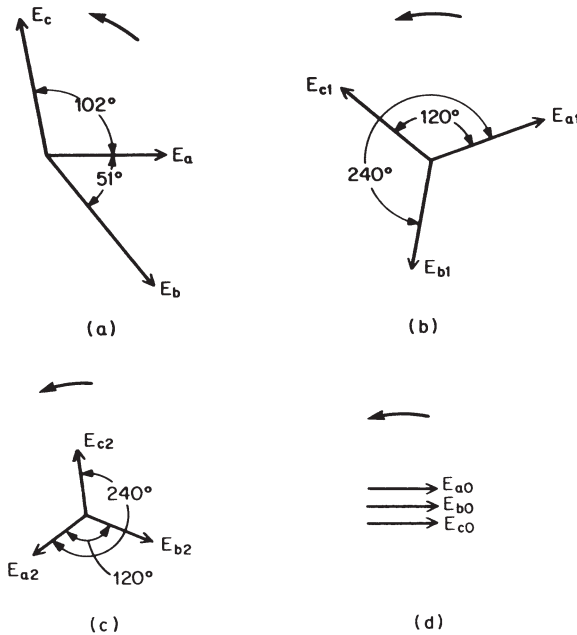


Figure A-3. Unbalanced vectors and symmetrical components. (a) Three-phase system with unbalance. (b) Positive-phase sequence component. (c) Negative-phase sequence component. (d) Zero-phase sequence component.



through  $120^\circ$  in a positive or counterclockwise direction; and  $a^2$  is the unit vector  $e^{j240} = -0.5 - j0.866$ , that is, an operator which indicates that a vector to which it is attached has been rotated through  $120^\circ$  twice or  $240^\circ$  in a positive direction; see Figure A-4 and Table A-1.

The negative-phase sequence components are balanced three-phase vectors whose time sequence of maxima occur in the order  $E_{a2}' E_{c2}' E_{b2}'$  as shown in Figure A-3c.

$$\begin{aligned} E_{a2} &= E_{a2} \\ E_{b2} &= e^{j120} E_{a2} = a E_{a2} \\ E_{c2} &= e^{j240} E_{a2} = a^2 E_{a2} \end{aligned} \tag{2}$$

The zero-sequence components are three-phase vectors of equal magnitude without phase displacement, as shown in Figure A-3d.

$$\begin{aligned} E_{a0} &= E_{a0} \\ E_{b0} &= E_{a0} \\ E_{c0} &= E_{a0} \end{aligned} \tag{3}$$

In each of the three systems, fixing the phase position and magnitude of one vector immediately determines the other two vectors. Phase sequence should not be confused with the rotation of the vectors. Standard convention calls for counterclockwise rotation for all vectors; hence, positive and negative vectors will rotate in the same direction.

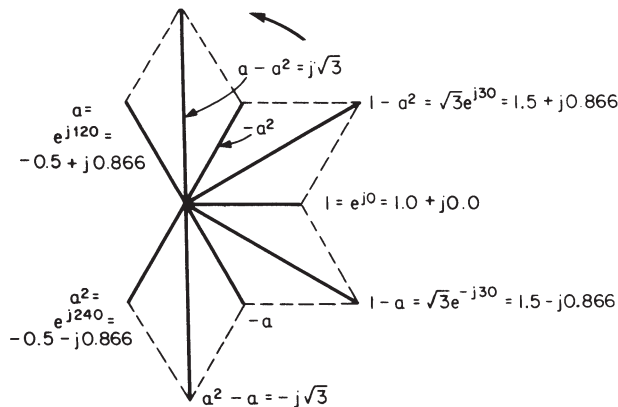


Figure A-4. The properties of the vector  $a$ .

**Table A-1. Properties of the vector  $a$ .**

---

$1 = e^{j0} = 1.0 + j0.0$
$a = e^{j120} = -0.5 + j0.866$
$a^2 = e^{j240} = -0.5 - j0.866$
$a^3 = e^{j360} = 1.0$
$a^4 = e^{j480} = a$
$1 + a + a^2 = 0$
$1 - a = \sqrt{3}e^{-j30} = 1.5 - j0.866$
$1 - a^2 = \sqrt{3}e^{j30} = 1.5 + j0.866$
$a - a^2 = \sqrt{3}e^{j90} = j\sqrt{3}$
$a^2 - a = \sqrt{3}e^{-j90} = -j\sqrt{3}$

---

**Combination of Sequence Quantities to Form Phase Quantities**

In all three systems of the symmetrical components, the subscripts denote the components in the different phases. The total voltage is then equal to the sum of the corresponding components of the different sequences in that phase. The three unbalanced vectors in Figure A-3a may be equated:

$$E_a = E_{a0} + E_{a1} = E_{a2} \tag{4}$$

$$E_b = E_{b0} + E_{b1} = E_{b2} \tag{5}$$

$$E_c = E_{c0} + E_{c1} = E_{c2} \tag{6}$$

or, by substituting their equivalent values:

$$E_a = E_{a0} + E_{a1} = E_{a2} \tag{7}$$

$$E_b = E_{a0} + a^2E_{a1} = aE_{a2} \tag{8}$$

$$E_c = E_{a0} + aE_{a1} = a^2E_{a2} \tag{9}$$

The unbalanced system is thus defined in terms of three balanced systems.

**Resolution of Three Vectors into Their Symmetrical Components**

The magnitude of the symmetrical components in an unbalanced system can be found by graphical methods, by analytical methods, or by meters with suitable connections. Each of these solutions depends upon the addition of the unbalanced three-phase vectors in a manner that can-

cels two of the components and adds the third component. Graphically, the positive-sequence component  $E_{a1}$  is found by rotating phase B + 120° with respect to phase A, rotating phase C - 120° (+ 240°) with respect to phase A, and adding the two rotated phases to phase A and dividing by 3 to correct for the addition, as shown in Figure A-3b. Analytically, the positive-sequence component may be obtained by multiplying Eq. (8) by  $a$  and Eq. (9) by  $a^2$  and adding them to Eq. (7):

$$\begin{aligned} & E_a + aE_b + a^2E_c \\ &= E_{a0} + E_{a1} + E_{a2} + aE_{a0} + a^3E_{a1} + a^2E_{a2} + a^2E_{a0} + a^3E_{a1} + a^4E_{a2} \\ &= (1 + a + a^2)E_{a0} + 3E_{a1} + (1 + a^2 + a)E_{a2} \end{aligned}$$

Solving for  $E_{a1}$  and recalling that  $1 + a^2 + a = 0$ ,

$$E_{a1} = \frac{E_a + aE_b + a^2E_c}{3} \quad (10)$$

This is the procedure, outlined under the graphical solution, above, expressed as an equation.

Either of these operations (graphical or analytical) eliminates the negative and zero components from the resultant.

The negative-sequence component is found graphically by rotating phase B + 240° (- 120°) in respect to phase A, rotating phase C + 120° in respect to phase A, and adding the two rotated phases to phase A and dividing by 3 to correct for the addition; refer to Figure A-5c.

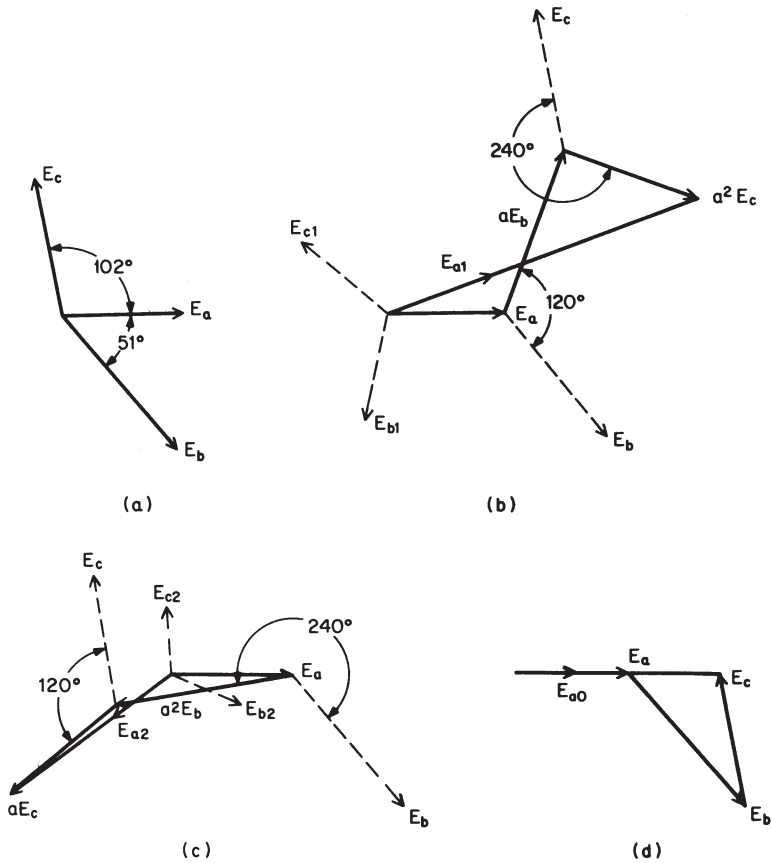
Analytically, the negative-sequence component may be found by multiplying Eq. (8) by  $a^2$  and Eq. (9) by  $a$ , and adding the results to Eq. (7):

$$\begin{aligned} & E_a + E_b + E_c \\ &= E_{a0} + E_{a1} + E_{a2} + E_{a0} + a^2E_{a1} + aE_{a2} + E_{a0} + aE_{a1} + a^2E_{a2} \\ &= (1 + a^2 + a)E_{a0} + (1 + a + a^2)E_{a1} + 3E_{a2} \end{aligned}$$

Solving for  $E_{a2}$ ,

$$E_{a2} = \frac{E_a + a^2E_b + a^2E_c}{3} \quad (11)$$

These operations eliminate the positive- and zero-sequence components from the resultant.



**Figure A-5. Graphical construction for the determination of sequence components. (a) Original vectors. (b) Positive sequence. (c) Negative sequence. (d) Zero sequence.**

The zero-sequence component is found graphically by adding the phase B and phase C vectors to phase A without rotation, then dividing by 3 to correct for the addition; refer to Figure A-5d. Analytically, the zero-sequence component may be found by adding the three equations, Eqs. (7), (8), and (9):

$$\begin{aligned}
 & E_a + E_b + E_c \\
 &= E_{a0} + E_{a1} + E_{a2} + E_{a0} + a^2E_{a1} + aE_{a2} + E_{a0} + aE_{a1} + a^2E_{a2} \\
 &= 3aE_{a0} (1 + a^2 + a)E_{a1} + (1 + a + a^2)E_{a2}
 \end{aligned}$$

Solving for  $E_{a0}$ ,

$$E_{a2} = \frac{E_a + E_b + E_c}{3} \quad (12)$$

Suppose the given voltages are balanced; e.g.,

$$E_a = E_{a0} \quad \text{and} \quad E_b = E_{a0} \quad \text{and} \quad E_c = E_{a0}$$

Then

$$E_{a0} = \frac{E_{a0} + a^2 E_a + a E_{a0}}{3} = \frac{1_a + a^2 + a}{3} = 0$$

$$E_{a1} = \frac{E_a + a^3 E_a + a^3 E_a}{3} = \frac{1_a + a^3 + a^3}{3} = E_a$$

$$E_{a2} = \frac{E_{a0} + a^2 E_a + a E_{a0}}{3} = \frac{1 + a + a^2}{3} = 0$$

In a balanced three-phase system, therefore, the zero- and negative-sequence components disappear, leaving only the positive-sequence components; i.e., the three voltages  $E_a$ ,  $E_b$ , and  $E_c$  as measured, are the positive-sequence components. While the above equations have been stated in terms of voltage, they apply equally well to currents.

The zero-sequence component, being a uniphase component, can exist in a three-phase system only when a path to ground exists which allows the flow of ground current (zero-sequence current times 3) or the establishment of a definite potential in relation to ground. It is apparent, therefore, that in three-phase three-wire systems and in lines feeding delta connections, where the currents and voltages must add to zero, the zero-sequence component is not present. The negative-sequence component, not being present in balanced systems, indicates an unbalance whenever it is present in a system.

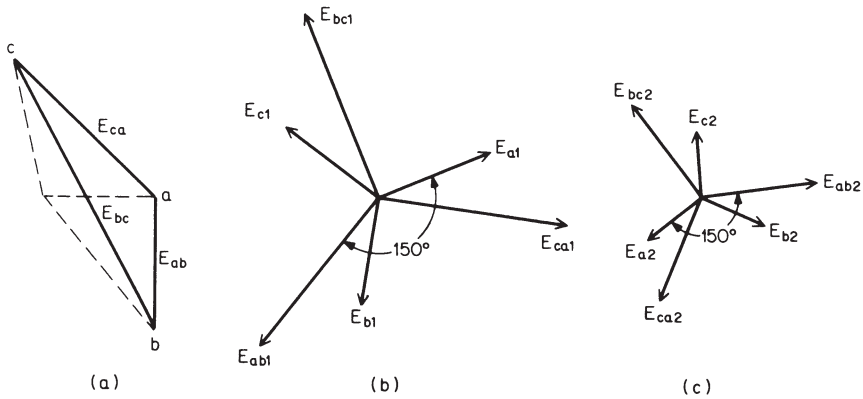
## SEQUENCE FILTERS

If a device is obtained which will perform the rotations and additions for a particular component, the resultant can be applied on a meter which will indicate the magnitude of the component desired. The mea-

surement of sequence components requires that a current flow through the measuring device which is directly proportional, but not necessarily equal, to the component being sought, and therefore that the effects of the other two components be eliminated. If the rotation of vectors were performed exactly in accordance with Eq. (10) or (11), the measuring device would be more complicated than necessary. Refer to Figure A-6, which shows the positive- and negative-sequence components for both the wye and delta voltages of the unbalanced three-phase voltages (Figure A-6a).

It will be noted that the positive- and negative-sequence components of the delta voltages bear definite relations to the positive- and negative-sequence components, respectively, of the wye voltages, and the zero-sequence component of the delta voltages is always zero. These relations follow:

$$E_{a1} = \frac{E_{ab1}}{\sqrt{3}} e^{j120} \qquad E_{ab1} = \sqrt{3} E_{a1} e^{-j150}$$



$$E_{a1} = \frac{E_{ab1}}{\sqrt{3}} e^{j150}$$

$$E_{ab1} = \sqrt{3} E_{a1} e^{-j150}$$

$$E_{a2} = \frac{E_{ab2}}{\sqrt{3}} e^{-j150}$$

$$E_{ab2} = \sqrt{3} E_{a2} e^{j150}$$

$$E_{a0} = \text{indeterminate}$$

$$E_{ab} = 0$$

Figure A-6. Positive- and negative-sequence components: (a) unbalanced voltages; (b) positive-sequence components; (c) negative-sequence components.

$$E_{a1} = \frac{E_{ab1}}{\sqrt{3}} e^{j120} \quad E_{ab2} = \sqrt{3} E_{a2} e^{-j150} \quad (13)$$

$$E_{a0} = \text{indeterminate} \quad E_{ab0} = 0$$

It is obvious that if the delta voltages are used in metering positive- or negative-sequence components, the zero-sequence component is automatically eliminated, and it is only necessary to eliminate the effect of one component.

### Positive-Sequence Voltage Filter

Assume that it is desired to measure the positive-sequence voltage of a three-phase four-wire system. Using phase  $a$  as a reference, then:

$$E_{a1} = \frac{E_{ab1}}{\sqrt{3}} e^{j150} = \frac{\sqrt{3}}{9} (E_{ab} + aE_{bc} + a^2E_{ca}) e^{j150} \quad (14)$$

and

$$E_{ab0} = \frac{E_{ab} + E_{bc} + E_{ca}}{3} = 0 \quad (15)$$

From Eq. (15),

$$E_{bc} = -E_{ca} - E_{ab} \quad (16)$$

Substituting Eq. (16) in Eq. (14) gives

$$E_{a1} = \frac{\sqrt{3}}{9} (1 - a)E_{ab} + (a^2 - a)E_{ca} e^{j150} \quad (17)$$

Recalling that  $1 - a = \sqrt{3}e^{-j30}$  and  $a^2 - a = \sqrt{3}e^{-j90}$ , then

$$\begin{aligned} E_{a1} &= \frac{\sqrt{3}}{9} (\sqrt{3} E_{ab} e^{-j30} + \sqrt{3} E_{ca} e^{-j90}) e^{j150} \\ &= \frac{E_{ab}}{3} e^{j120} + \frac{E_{ca}}{3} e^{j0} \end{aligned} \quad (18)$$

Recalling that  $e^{j120} = a$  and  $e^{j0} = -a^2$ , then

$$E_{a1} = \frac{aE_{ab} - a^2E_{ca}}{3} = 0 \quad (19)$$

The coefficient of  $E_{ab}$ , namely,  $a$ , indicates a rotation through  $120^\circ$ . Likewise  $-a^2$  indicates a rotation of  $E_{ca}$  through  $60^\circ$ . The difference in angle is  $60^\circ$ , so that the current through a measuring device will be proportional to the positive-sequence voltage, if it consists of a component proportional to  $E_{ab}$  and another bearing the same relation to  $E_{ab}$  except lagging  $60^\circ$ ; refer to Figure A-7a. The current  $I_m$  is therefore proportional to the positive-sequence voltage  $E_a$ , but lags it by  $120^\circ$ . If the impedance of the measuring coil is negligible, such a current will obviously be obtained by the connection shown in Figure A-8a. The resistor  $R$  across the voltage  $E_{ab}$  allows the current  $I_T$  proportional to  $E_{ab}$  to flow through the measuring device; while the reactor, which has a phase angle of  $60^\circ$  or equals  $Re^{j0}$ , across the voltage  $E_{ca}$  allows the current  $I_x$  which is proportional to  $E_{ca}$  and lagging it by  $60^\circ$ , to flow through the metering device. The total current through the metering device is, therefore, proportional to the positive-sequence voltage  $E_a$ . That the current is proportional to the positive-sequence voltage, even when the impedance of the metering device is not negligible, can be shown from Figure A-8a.

$$E_{ab} = I_r(R + Z_m) = I_x Z_m \tag{20}$$

$$E_{ca} = I_x(Re^{j0} + Z_m) = I_r Z_m \tag{21}$$

Multiplying Eq. (20) by  $a$  and Eq. (21) by  $-a^2$  and adding, remembering that  $e^{j60} = -a^2$ ,

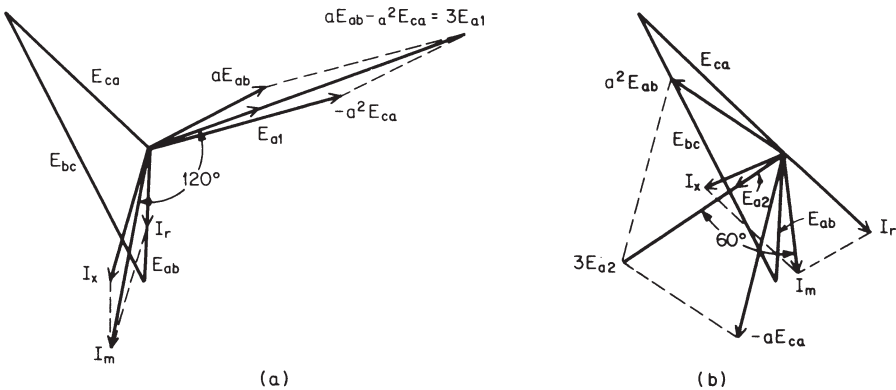


Figure A-7. (a) Positive- and (b) negative-sequence voltages from line voltages.



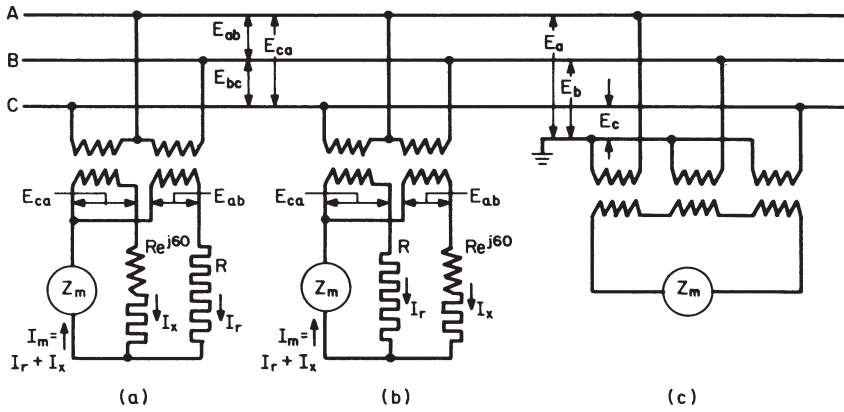


Figure A-8. Sequence voltage filters: (a) positive sequence; (b) negative sequence; (c) zero sequence.

$$\begin{aligned}
 aE_{ab} - a^2E_{ca} &= 3E_{a1} \\
 &= aI_rR + aI_rZ_m + aI_xZ_m + a^4I_xR - a^2I_xZ_m - a^2I_rZ_m \\
 &= I_r(aR + aZ_m - a^2Z_m) + I_x(aZ_m + a^4R - a^2Z_m) \\
 &= I_r[aR + (a - a^2)Z_m] + I_x[a^4R + (a - a^2)Z_m]
 \end{aligned}$$

Remembering that  $a^4 = a$ ,

$$3E_{a1} = (I_r + I_x)[aR + (a - a^2)Z_m]$$

Therefore

$$I_m = I_r + I_x = \frac{3E_{a1}}{aR + (a - a^2)Z_m} \tag{22}$$

Writing this equation in another form by dividing both numerator and denominator by  $a$ , giving:

$$I_m = \frac{3a^2E_{a1}}{R + (1 - a)Z_m} \tag{23}$$

when  $Z_m$  is small enough to be neglected, this equation becomes:

$$I_m = \frac{3a^2E_{a1}}{R} = \frac{3E_{a1}}{R} e^{-j120} \tag{24}$$

which shows that for this case the current through the metering device lags the reference voltage by  $120^\circ$ .

When the connection (Figure A-8a) is desired for voltage measuring purposes, it will often happen that  $Z_m$  is quite small. Hence the external impedance, which usually forms a large portion of the total impedance of the voltmeter, may be replaced by the impedances  $R$  and  $Re^{j60}$ .

The combination of impedances  $R$  and  $Re^{j60}$  was originally known as a *sequence network*. Owing to the possibility of confusing it with the term *network* as applied to the low-voltage ac network system, the combination of impedances  $R$  and  $Re^{j60}$  is now designated a *sequence filter*.

Other combinations of impedances may be used as well, as long as they fulfill the fundamental condition that the impedance in the phase which leads by  $120^\circ$  has a phase angle  $60^\circ$  greater than the other impedance. For example, in Figure A-8a, the impedance  $Re^{j60}$  could be replaced by a resistance, and the resistance  $R$  by a capacitive impedance  $Re^{-j60}$ . This change, of course, changes the phase angle of the resultant current. Unless the phase angle of  $I_m$  meets certain requirements, as for example in the measurement of power, the impedances shown in Figure A-8a are used.

### Negative-Sequence Voltage Filter

Negative-sequence voltage can be measured in the same manner as positive-sequence voltage, except that the resistance branch and the impedance branch of the filter must be interchanged. In vector representation, negative-sequence voltages are represented with the same direction of rotation, but with two phases interchanged from their positive-sequence positions. From the physical standpoint this is equivalent to reversal of phase rotation.

Interchanging two phase leads in the positive-sequence filter will cause the network to indicate the voltage of opposite phase rotation, which is then the negative-sequence voltage. This may be accomplished on the line side of the potential transformers by interchanging any two leads. On the measuring side, the common connection is a return or neutral wire instead of a phase wire, so that the change on this side may be made only by interchanging the two impedances (refer to Figure A-8b). To check these observations the analytical derivation may be made in a manner similar to that for the positive-sequence filter. It will be found that the negative-sequence voltage in terms of line voltage  $E_{ab}$  and  $E_{ca}$  is:

$$E_{a2} = \frac{a^2 E_{ab} - a E_{ca}}{3} \quad (25)$$

and

$$I_m = \frac{-3a^2 E_{a2}}{R} = \frac{3E_{a2}}{R} \quad (26)$$

If  $Z_m$  is negligible, the solution may be found in Figure A-7b.

### Zero-Sequence Voltage Filter

Since the zero-sequence component does not appear in the line-to-line voltages, the line-to-neutral voltages must be used. By definition, the zero-sequence voltage is given by the equation:

$$E_0 = \frac{E_a + E_b + E_c}{3}$$

The connection of Figure A-8e obviously gives across a high-resistance meter  $E_a + E_b + E_c$ , which is  $3E_0$ .

### Sequence Current Filters

As in the case of voltage filters, the determination of each of the three sequence current components requires the elimination of the other two components. In a three-phase three-wire system, without any neutral or ground connections, no zero-sequence current can flow, and the problem is somewhat simplified. Mathematically, this requires that:

$$I_{a0} = \frac{I_a + I_b + I_c}{3} \quad (27)$$

By definition,

$$I_{a1} = \frac{I_a + aI_b + a^2I_c}{3} \quad (28)$$

Substituting for  $I_b$  from Eq. (27),

$$I_{a1} = \frac{1}{3} [(1 - a)I_a - (a - a^2)I_c] \quad (29)$$

Remembering that  $1 - a = \sqrt{3} e^{-j30}$  and  $a - a^2 = \sqrt{3} e^{j90}$ , then

$$I_{a1} = \frac{1}{3} (\sqrt{3}I_a e^{-j30} - \sqrt{3}I_c e^{-j90}) \tag{30}$$

Factoring out  $j\sqrt{3}$ ,

$$\begin{aligned} I_{a1} &= \frac{j\sqrt{3}}{3} (I_a e^{-j120} - I_c) \\ &= \frac{j\sqrt{3}}{3} (a^2 I_a - I_c) \end{aligned} \tag{31}$$

As would be expected, these equations are similar to the voltage equations and show that when the zero-sequence component is not present, the positive-sequence current can be expressed in terms of two line currents. Similarly, the negative-sequence current may be expressed in terms of two line currents. In the case of voltage networks, it was possible to obtain the required phase shift by means of series impedance. In the current case this is not possible, since the current throughout the current-transformer series circuit is everywhere the same. Hence, parallel combinations of impedance must be used with the measuring coil in series with one branch.

When the system is grounded or provided with a neutral conductor, zero-sequence currents may flow in the phase conductors, which will affect the measuring currents. Hence, some means must be provided to remove the zero-sequence components. One of the most convenient means is to use pairs of current transformers connected in opposition instead of single-current transformers; see Figure A-9.

From the figure,

$$I_w = I_a - I_b$$

By definition

$$\begin{aligned} I_a &= I_{a1} + I_{a2} + I_{a0} \\ I_b &= I_{b1} + I_{b2} + I_{b0} \end{aligned}$$

and

$$I_w = I_{a1} + I_{a2} + I_{a0} - I_{b1} + I_{b2} + I_{b0}$$

From Eqs. (1), (2), and (3):

$$I_{b1} = a^2 I_{a1} \quad \text{and} \quad I_{b2} = a I_{a2} \quad \text{and} \quad I_{b0} = I_{a0}$$

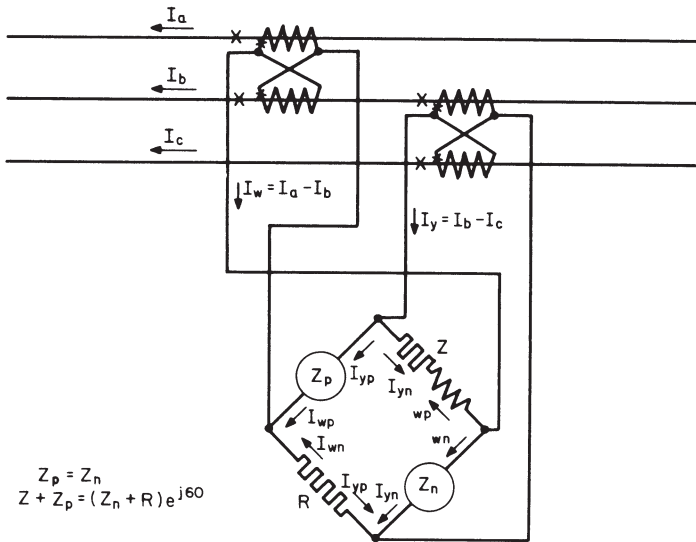


Figure A-9. Sequence current filter.

Thus

$$\begin{aligned}
 I_w &= I_{a1} + I_{a2} + I_{a0} - a^2 I_{a1} - a I_{a2} - I_{a0} \\
 &= (1 - a^2) I_{a1} + (1 - a) I_{a2} \\
 &= \sqrt{3}(I_{a1} e^{j30} + a I_{a2} e^{-j30})
 \end{aligned}
 \tag{32}$$

In a similar manner it may be shown that:

$$I_y = \sqrt{3}(a^2 I_{a1} e^{j30} + a I_{a2} e^{-j30})
 \tag{33}$$

It will be observed from Eqs. (32) and (33) that the positive- and negative-sequence components of  $I_w$  and  $I_y$  are directly proportional to the corresponding components of  $I_a$  and  $I_b$ ; i.e.,

$$I_{w1} = \sqrt{3} I_{a1} e^{-j30}
 \tag{34}$$

$$I_{w2} = \sqrt{3} I_{a2} e^{-j30}
 \tag{35}$$

With the elimination of the zero-sequence component of current by the use of cross-connected current transformers,

$$I_{w0} = \frac{I_w + I_y + I_z}{3} = 0 \quad (36)$$

where

$$I_z = I_c - I_a = -I_w - I_y \quad (37)$$

By definition

$$I_{w1} = \frac{1}{3} (I_w + aI_y + a^2I_z) \quad (38)$$

Substituting Eq. (37) in Eq. (38),

$$\begin{aligned} I_{w1} &= \frac{1}{3}(I_w + aI_y + a^2I_z) \\ &= \frac{1}{3}(1 - a^2)I_w + (a - a^2)I_y \\ &= \frac{1}{3}(\sqrt{3}I_w e^{j30} + \sqrt{3}I_y e^{j90}) \end{aligned}$$

Factoring out  $e^{j60}$ ,

$$I_{w1} = e^{j60} \left( \frac{\sqrt{3}}{3} I_w e^{-j30} + \frac{\sqrt{3}}{3} I_y e^{j30} \right) \quad (39)$$

From Eq. (34),

$$I_{a1} = \frac{I_{w1}}{\sqrt{3}e^{j30}} = \frac{1}{\sqrt{3}} I_{w1} e^{-j30} \quad (40)$$

Substituting Eq. (39) in Eq. (40),

$$\begin{aligned} I_{a1} &= \frac{1}{\sqrt{3}} e^{j30} \left( \frac{\sqrt{3}}{3} I_w e^{-j30} \pm \frac{\sqrt{3}}{3} I_y e^{j30} \right) \\ &= \frac{1}{\sqrt{3}} e^{j30} \left( \frac{I_w}{\sqrt{3}} e^{-j30} + \frac{I_y}{\sqrt{3}} e^{j30} \right) \end{aligned} \quad (41)$$

By similar development,

$$I_a = \frac{1}{\sqrt{3}}e^{-j30} \left( \frac{I_w}{\sqrt{3}}e^{j30} + \frac{I_y}{\sqrt{3}}e^{-j30} \right) \quad (42)$$

Equation (41) indicates that a current proportional to the positive-sequence current may be obtained if a portion of  $I_w$  which lags  $I_w$  by  $30^\circ$  and a similar portion of  $I_y$  which leads  $I_y$  by  $30^\circ$  are taken through a measuring device. Likewise a current proportional to the negative-sequence current may be obtained by passing through a measuring device a portion of  $I_w$  which leads  $I_w$  by  $30^\circ$  and a similar portion of  $I_y$  which lags  $I_y$  by  $30^\circ$ .  $I_w$  and  $I_y$  may be divided into the necessary components by means of two impedances of equal magnitude but differing in phase by  $60^\circ$ , connected in parallel. Separate filters may be used to obtain the currents proportional to the positive- and negative-sequence currents or to allow simultaneous measurements of both currents. The most-used filter in the sequence network is shown in Figure A-9; it must be designed with the following relation between the impedances to meet the requirements outlined above:

and

$$Z_p = Z_n \quad \text{and} \quad Z + Z_p = (Z_n + R)e^{j60}$$

The current  $I_w$  passing through the filter divides into two parts  $I_{wp}$  and  $I_{wn}$  equal in magnitude but differing in phase by  $60^\circ$ .  $I_{wp}$  lags  $I_w$  by  $30^\circ$  and  $I_{wn}$  leads  $I_w$  by  $30^\circ$ . Similarly the current  $I_y$  divides into two parts  $I_{yp}$  and  $I_{yn}$  equal in magnitude but differing in phase by  $60^\circ$ .  $I_{yp}$  leads  $I_y$  by  $30^\circ$  and  $I_{yn}$  lags  $I_y$  by  $30^\circ$ . The current through  $Z_p$  is  $I_{wp} + I_{yp} = I_p$ . From Eq. (41):

$$I_{wp} = \frac{I_w}{\sqrt{3}} e^{-j30} \quad \text{and} \quad I_{yp} = \frac{I_y}{\sqrt{3}} e^{j30}$$

Therefore

$$I_p = \frac{I_{a1}}{\frac{1}{\sqrt{3}} e^{-j30}} = \sqrt{3} I_{a1} e^{-j30} \quad (43)$$

The current through  $Z_n$  is  $I_{wn} + I_{yn} = I_n$ . From Eq. (42)

$$I_{wn} = \frac{I_w}{\sqrt{3}} e^{j30} \quad \text{and} \quad I_{yn} = \frac{I_y}{\sqrt{3}} e^{-j30}$$

Therefore

$$I_n = \frac{I_{a2}}{1} = \sqrt{3}I_{a2}e^{j30} \tag{44}$$

$$\frac{1}{\sqrt{3}} e^{-j30}$$

Referring to Figure A-10, which is a vector diagram of the currents through the filter when the line currents are balanced, the currents through the positive-sequence measuring coil ( $I_{wp}$  and  $I_{yp}$ ) add to give a current  $I_p$  equal to  $\sqrt{3}$  times the positive-sequence current and lagging it by  $30^\circ$ . The currents through the negative-sequence measuring coil ( $I_{wn}$  and  $I_{yn}$ ) are equal and opposite and therefore cancel. It will be remembered that for balanced currents the negative-sequence current is zero.

Inspection of Figure A-11, which is a vector diagram of the currents through the current filter when the line currents are unbalanced, will show that the current through the positive-sequence measuring coil again is equal to  $\sqrt{3}$  times the positive-sequence current and lagging it by  $30^\circ$ . The currents through the negative-sequence measuring coil do not add to zero in this case but add up to equal  $\sqrt{3}$  times the negative-sequence current and to lead it by  $30^\circ$ .

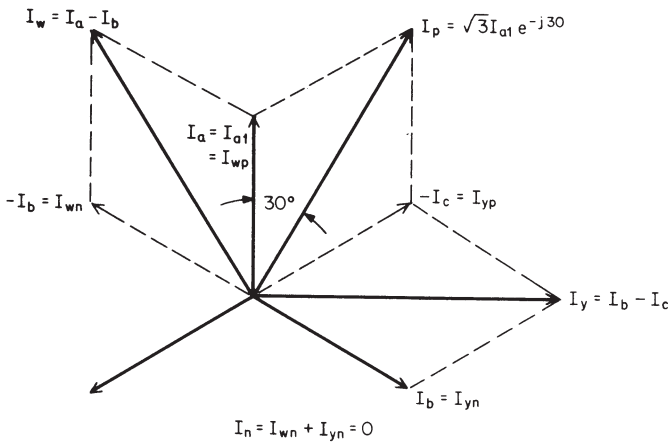


Figure A-10. Sequence current filter-balanced currents.



Thus the filter of Figure A-9 produces, under balanced or unbalanced conditions alike, currents proportional to the positive- and negative-sequence currents existing in the system from which it is energized.

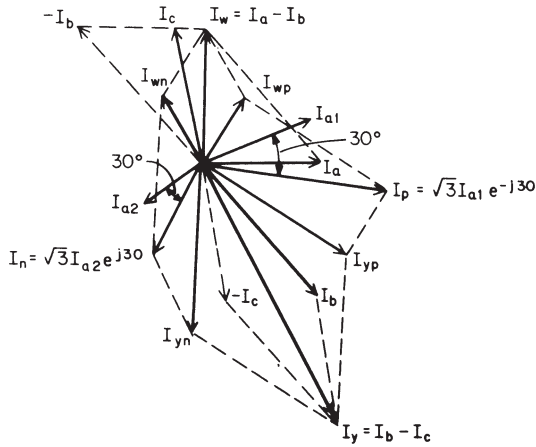


Figure A-11. Sequence current filter-unbalanced currents.

## Appendix B

# Economic Studies\*

### INTRODUCTION

#### **Purpose**

Economic studies are the means of evaluating the economic consequences of a particular proposal or of a number of alternate proposals for meeting a problem. Basic questions which continually face the management of any business are:

1. Will a venture be sufficiently profitable to justify the risk assumed in its undertaking?
2. Which of several ways of undertaking the venture will maximize the profits?

#### **Scope**

Economic studies may range from the extremely simple to the extremely complicated. In some cases, they may appear to be no more than the application of good common sense. The most important thing is the orientation which motivates a person to apply common sense or perform a more complicated evaluation of a situation.

#### **Characteristics**

No matter how complicated, economic studies all have certain definite characteristics:

1. Money to carry out every plan represents either:
  - a. Annual Expense—Obtained from operating revenue; or
  - b. Capital expenditure—Obtained from financing, reinvested depreciation reserve, reinvested earnings. In general, capital costs represent the initial purchase price of installed plant; or
  - c. Both annual expense and capital expenditure.

---

\*Reprinted from Anthony J. Pansini, PE, *Maximizing Management Effectiveness*. Copyright by Greenvale Press, Greenvale, N.Y., 1977. All rights reserved.

2. Capital expenditures incur future annual expense.
3. The source usually available to a company to meet its annual expenses of operation, including taxes and obligations on its securities, is the revenue it receives from its consumers. Mathematically, therefore, the most economical of a number of plans (the one which will maximize profits) is the one which will require the minimum amount of additional revenue. A convenient way to conduct an economic study is to evaluate the effect of alternate proposals on the revenue requirements of the company.
4. Expenditures may take place (and thus affect revenue requirements) at different intervals over a period of time. The economic study must compare such expenditures on a consistent common basis.
5. The economics of alternate plans will generally be only one factor, although a major one, in the final selection of the most advantageous plan. Any differences in the non-tangible items of comparison, however, must be recognized and considered with economic differentials among the several plans. The assignment of a value for the effect of inflation may be arbitrary and best omitted from the calculations and considered a judgmental factor in the final recommendations. (The effects of inflation at several rates are contained in Table B-1; other rates may be interpolated.) The differences in the various plans should be pointed out so that the phases of each alternative may be fully evaluated.

## ANNUAL CHARGES

The overall revenue requirement of a project, or the cost of doing business, is the sum of annual charges for:

1. Return on investment (stockholder, bondholder, etc.)
2. Depreciation (sinking fund, etc.)
3. Insurance expense
4. Property tax expense
5. Income tax expense
6. Operating and maintenance expense
7. Other taxes (e.g., on gross revenue)

**Table B-1. Inflation factors (compound interest):  $(1 + I)^n$ .**

n	<i>Inflation rate—i in percent</i>								
	2	3	4	5	6	7	8	9	10
1	1.020	1.030	1.040	1.050	1.060	1.070	1.080	1.090	1.100
2	1.040	1.061	1.082	1.103	1.124	1.145	1.166	1.188	1.210
3	1.061	1.093	1.125	1.158	1.191	1.225	1.260	1.295	1.331
4	1.082	1.126	1.170	1.216	1.262	1.311	1.360	1.412	1.461
5	1.104	1.159	1.217	1.276	1.338	1.403	1.469	1.539	1.611
6	1.126	1.194	1.265	1.340	1.419	1.501	1.587	1.677	1.772
7	1.149	1.230	1.316	1.407	1.504	1.606	1.714	1.828	1.949
8	1.172	1.267	1.369	1.477	1.594	1.718	1.851	1.993	2.144
9	1.195	1.305	1.423	1.551	1.689	1.838	1.999	2.172	2.358
10	1.219	1.344	1.480	1.629	1.791	1.967	2.159	2.367	2.594
11	1.243	1.384	1.539	1.710	1.898	2.105	2.332	2.580	2.853
12	1.268	1.426	1.601	1.796	2.012	2.252	2.518	2.813	3.138
13	1.294	1.469	1.665	1.886	2.133	2.410	2.720	3.066	3.452
14	1.319	1.513	1.732	1.980	2.261	2.579	2.937	3.342	3.797
15	1.346	1.558	1.801	2.079	2.397	2.759	3.172	3.642	4.177
16	1.373	1.605	1.873	2.183	2.540	2.952	3.451	3.970	4.595
17	1.400	1.653	1.948	2.292	2.693	3.159	3.727	4.328	5.054
18	1.428	1.702	2.026	2.407	2.854	3.380	4.026	4.717	5.560
19	1.457	1.754	2.107	2.527	3.026	3.617	4.348	5.142	6.116
20	1.486	1.806	2.191	2.653	3.207	3.870	4.635	5.604	6.727
21	1.516	1.860	2.279	2.786	3.400	4.141	5.071	6.109	7.400
22	1.546	1.916	2.370	2.925	3.604	4.430	5.477	6.659	8.140
23	1.577	1.974	2.465	3.072	3.820	4.741	5.915	7.258	8.954
24	1.608	2.033	2.563	3.225	4.049	5.072	6.388	7.911	9.850
25	1.641	2.094	2.666	3.386	4.292	5.427	6.899	8.623	10.83
26	1.673	2.157	2.772	3.556	4.549	5.807	7.451	9.399	11.92
27	1.707	2.221	2.883	3.733	4.822	6.214	8.047	10.25	13.11
28	1.741	2.288	2.999	3.920	5.112	6.649	8.691	11.17	14.42
29	1.776	2.357	3.119	4.116	5.418	7.114	9.386	12.17	15.86
30	1.811	2.427	3.243	4.322	5.743	7.612	10.14	13.27	17.45
31	1.848	2.500	3.373	4.538	6.088	8.145	10.95	14.46	19.19
32	1.885	2.575	3.508	4.765	6.453	8.715	11.82	15.76	21.11
33	1.922	2.652	3.648	5.003	6.841	9.325	12.77	17.18	23.23
34	1.961	2.732	3.794	5.253	7.251	9.978	13.79	18.73	25.55
35	2.000	2.814	3.946	5.516	7.686	10.68	14.90	20.41	28.10

The first five of these charges can usually, for convenience, be estimated as a percentage of original investment. The operating and maintenance charges should be separately estimated for each project. The tax (if any) on gross revenue must be calculated after all other charges are determined.

### Return on Investment

A growing company must continually provide money for capital construction. In many cases, a large proportion of such funds are realized by sale of securities, bonds, debentures and stocks. These securities are purchased by people who believe that the future earnings of the company will provide a return on their investment commensurate with the hazards of the business and the nature of the security purchased. If the return provided is not sufficient to meet the expectations of investors when they analyze the risk involved, they will not invest in that firm. It is axiomatic then, that if a company is to be able to attract the necessary capital for continued expansion, it must maintain an adequate return on its invested capital.

### Depreciation

The purpose of a depreciation allowance is to set aside a sufficient amount periodically (usually each year) to accumulate, over the life of the equipment, the original capital investment less net salvage.

There are a number of ways of taking account of depreciation; among the many types are two aptly named Straight Line Depreciation and Annuity Depreciation.

#### *Straight Line*

Depreciation The straight line method of calculating depreciation means that a fixed percentage is applied to surviving plant each year (usually monthly) to determine the accrual. The accrual rate is determined from the reciprocal of the average service life adjusted for salvage. This may be expressed by the equation:

$$D = \frac{1}{S} (1 - \text{SAL})$$

where  $D$  = straight line depreciation rate

$S$  = average service life

$\text{SAL}$  = salvage ratio

#### *Annuity Depreciation*

It is also possible to express the annual charge for depreciation as an equivalent uniform annual charge. In cases where there is no salvage or dispersion (Iowa SQ dispersion), the annuity may be found in the fu-

ture worth-to-annuity column in the compound interest table. This factor is determined from the equation:

$$AA = \frac{i}{(1 + i)^n - 1}$$

where AA = annuity depreciation rate  
i = return as a percent of investment  
n = number of years

Dispersion is a factor to be considered in depreciable plant accounts. From actuarial studies, the nearest (Iowa) dispersion curve for each plant account has been previously determined. Thus to determine the annuity depreciation for a dispersed plant, the above equation is modified:

$$AA = \left( \frac{1}{\sum_{n=1}^m \frac{R_n}{(1 + i)^n}} - 1 \right) \times (1 - SAL)$$

where, in addition to above:  
m= maximum or total life  
R<sub>n</sub>= mean annual survivor ratio  
SAL= salvage ratio

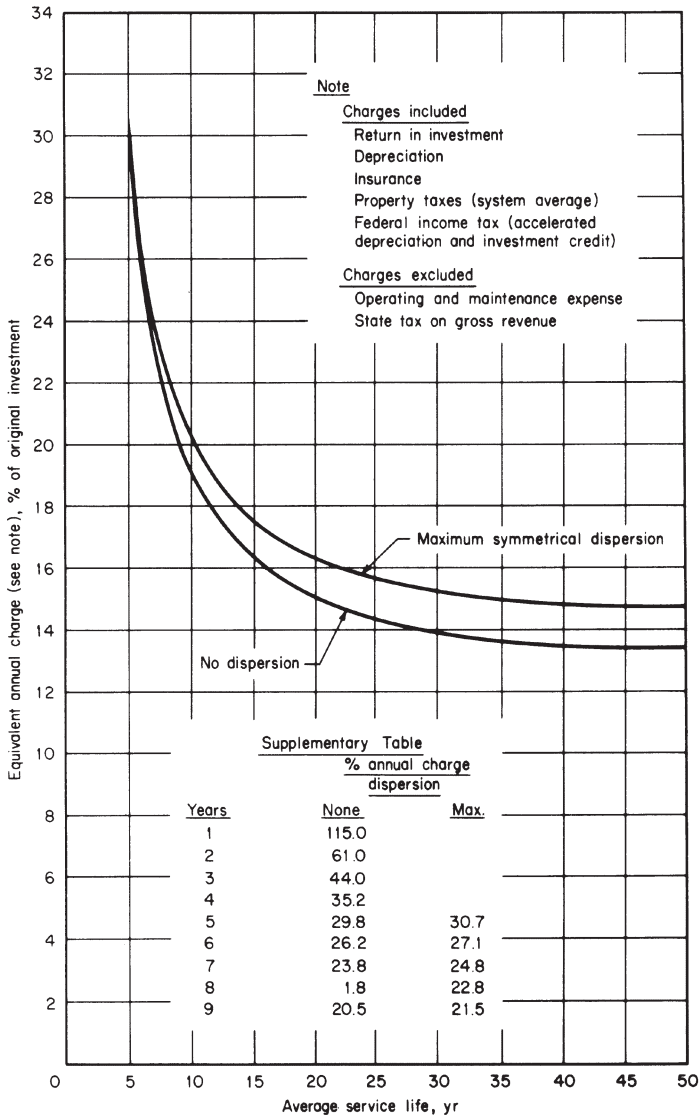
The annuity depreciation factors for a dispersed plant have been calculated for every (Iowa) curve; please refer to Figure B-1. An elementary treatment of Depreciation, for illustrative purposes, is given in Table B-2.

There are many other ways of considering depreciation, and reference should be made to appropriate treatises on this subject.

**Insurance**

Unless specifically known, a value of 0.1% of original investment generally is sufficient to be used for insurance.

The four major forms of insurance carried to provide protection against damage to property are:



**Figure B-1.** Equivalent annual charges as a percentage of original investment, assuming no salvage on project and 7 percent return on investment.

1. Fire insurance.
2. Boiler and machinery insurance covering accidental damage to such objects.
3. Coverage against damages due to motor vehicle collision, falling aircraft, storms, etc.
4. Insurance for general liability in excess of some value (e.g., \$50,000).

**Table B-2. Treatment of depreciation.**

Year	Investment at beginning	Depreciation	7% return	Total annual cost	Present worth	
					Factor	Amount
<b>A. Straight line depreciation</b>						
1	\$1,000	\$200	\$70	\$270	0.935	\$252
2	800	200	56	256	0.873	224
3	600	200	42	242	0.816	198
4	400	200	28	228	0.763	174
5	200	200	14	214	0.713	<u>152</u>
						1000
<b>B. Very slow depreciation</b>						
1	\$1,000	0	70	70	0.935	65
2	1,000	0	70	70	0.873	61
3	1,000	0	70	70	0.816	57
4	1,000	0	70	70	0.763	54
5	1,000	1000	70	1070	0.713	<u>763</u>
						1000
<b>C. Very fast depreciation</b>						
1	\$1,000	1000	70	1070	0.953	1000
2	0	0	0	0	0.873	0
3	0	0	0	0	0.816	0
4	0	0	0	0	0.763	0
5	0	0	0	0	0.713	<u>0</u>
						1000
<b>D. Sinking fund depreciation (sinking fund factor from interest table)</b>						
1	\$1,000	174	70	244	0.935	228
2	—	174	70	244	0.873	213
3	—	174	70	244	0.816	199
4	—	174	70	244	0.763	186
5	—	174	70	244	0.713	<u>174</u>
						1000



The premium expense of such insurance, expressed as a percentage of total investment, is usually very small, and the value of 0.1 % as an average annual charge adequately covers premiums on the insurance carried. In any special case where items of insurance make up a substantial portion of operating expense, they should be considered separately in the estimation of operating expense.

### **Property Taxes**

Taxes on property fall into two classes: Special franchise or business taxes (applied to facilities on public property and to certain businesses); and, Real estate taxes (applied to facilities on private property). Plant classified as "Land Rights" (easements) or "Personal Property" such as tools, furniture and vehicles is not usually taxable. Depreciation is theoretically allowed on property, but in practice it' is often not considered in computing taxes.

### **Federal Income Tax**

Federal income taxes are levied on taxable income as defined in applicable laws. The relationship of taxable income to revenue and to return on investment is illustrated by Figure B-2a and b. Since fate of return on a project is the ratio of income available from the project to the net (depreciated) investment in the project, income tax must be calculated on the same basis of income or return.

### **Operating and Maintenance Expenses**

Operating and maintenance expenses are constituent parts of the total annual charge. As a general rule, operating and maintenance expenses cannot be expressed as a percent of the plant or unit of property investment since they do not vary directly with the investment cost. Expenses must be specifically estimated based on the individual project and must include applicable loadings as well as direct charges. In the comparison of alternate plans, costs common to the plans in the same year may be eliminated since their difference will be zero. Large non-recurring expenses must be evaluated on a present worth basis in the year of their occurrence.

### **Gross Earnings Tax**

Some States (e.g., New York) levy earning taxes which are based on gross revenues. In evaluating alternate plans, the variation in this charge

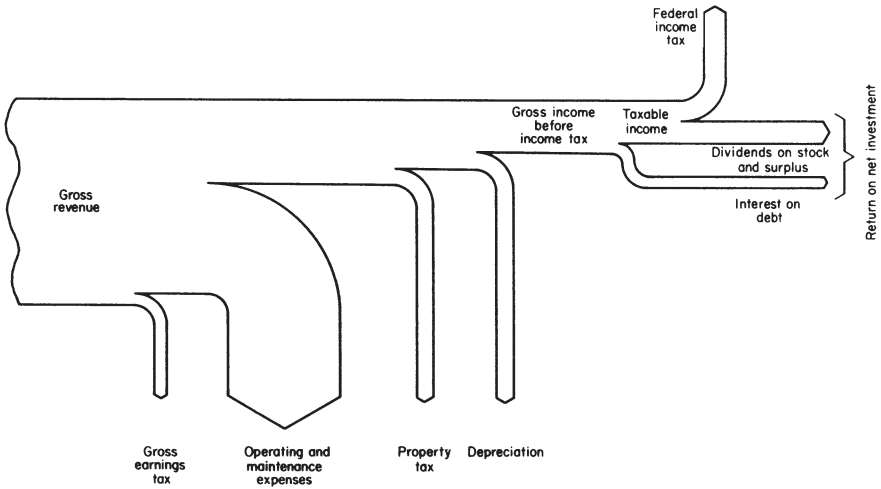


Figure B-2a. Revenue and expense flow diagram.

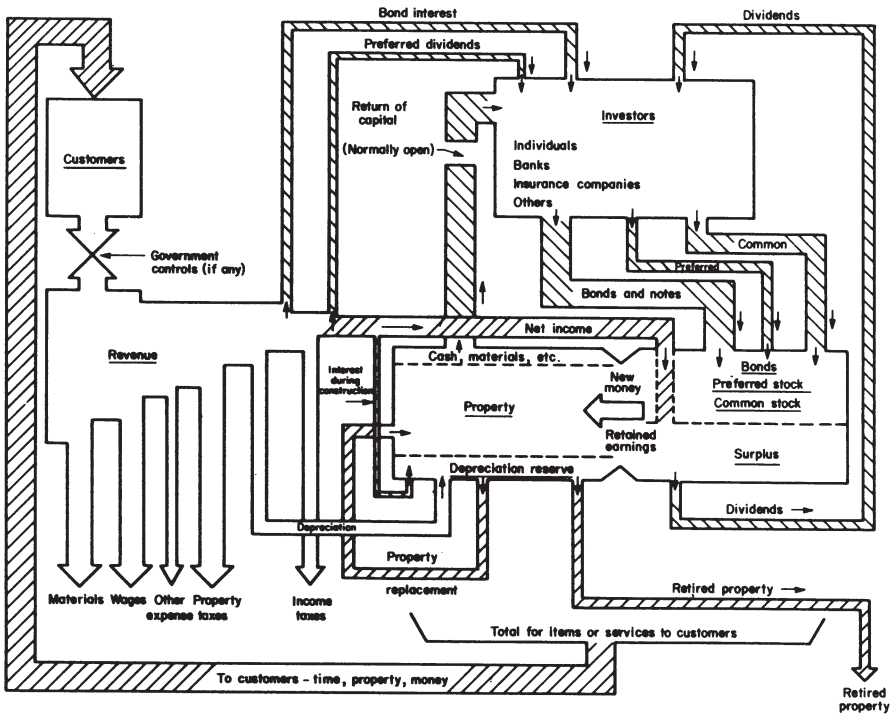


Figure B-2b. Financial flowchart.

among plans will not affect the relative conclusions, and its consideration may be omitted unless total revenue requirements are desired.

## BROAD ANNUAL CHARGE

For a complete study, it is necessary to evaluate the annual charges as discussed above applicable to a particular project. For many comparisons, enough accuracy can be obtained by using a more practical method employing broad annual charges. When the average service life exceeds twenty-five years, a broad annual charge of 15% of original investment may be used as a rough estimate of all charges exclusive of operating and maintenance expenses and gross earnings. taxes. Figure B-1 shows the variation in total annual charge with service life and indicates the approximate basis for the 15% value.

This overall charge of 15% of original investment should not be applied to projects with a service life of less than 25 years. The annual charges on projects with a service life of less than 25 years increase rapidly as service life shortens, as shown in Figure B-1. For such projects, a value determined from the upper curve of Figure B-1 for the service life of the particular project will provide a reasonable first approximation of the annual charge.

## TIME VALUE OF MONEY

### **Earning Power**

Money has earning power. A dollar today is worth more than a dollar a year from now because of this earning power available through investment. The precise value of today's dollar in the future will depend upon the rate of interest earned on the invested dollar. Thus, one dollar today, invested at a 7% interest rate, will be worth \$1.07 one year in the future. Conversely, \$1.07 available a year from now has a present worth of \$1.00. By using this concept, that money has an increasing value over a period of time, any expenditure in the future may be expressed in its equivalent "present worth" today. This principle is used to convert expenditures made at varying times to an equivalent value at any given instant.

### Conversions

Such conversions may be made by converting values to:

1. Present worth-the value today.
2. Future worth-value at any specified time in the future.
3. Annuity-a uniform series of payments over a period of time.

The result of spending capital money is a series of annual charges extending over the service life of the property in which the capital is invested. Some of these annual charges will be uniform every year and may be considered an annuity. Other annual charges will vary from year to year resulting in a non-uniform series; these can be converted to a uniform series.

Conversion factors at 7% interest for all these manipulations are provided in Table B-3.

There are a number of different ways of developing the conversion factors. The convention used in Table B-3 is that annuity payments and future worth values are evaluated at the end of periods (years) and present worth values are evaluated at the beginning of periods. Developed in this way, Table B-3 is in its most directly usable form since all payments are assumed to be made at the end of a year (December 31) throughout this study.

### EXAMPLES

Eight conversions cover all cases and are summarized and illustrated in the following examples and worth-time diagrams.\*

---

#### **EXAMPLE B-1. Present worth to future worth (single amount at any date to single amount at any subsequent date).**

You have just won \$5,000, tax free. How much money will you have at the end of 10 years, if you invest it at 7% compounded annually?

---

\*Courtesy Long Island Lighting Co.

Table B-3. Compound interest table.

<i>n</i>	<i>Lump sum</i>		<i>Uniform annual series</i>			
	<i>Present worth to future worth, (1 + i)<sup>n</sup></i>	<i>Future worth to present worth, 1 / (1 + i)<sup>n</sup></i>	<i>Annuity to future worth (1 + i)<sup>n</sup> - 1 / i</i>	<i>Future worth to annuity i / (1 + i)<sup>n</sup> - 1</i>	<i>Annuity to present worth (1 + i)<sup>n</sup> - 1 / i(1 + i)<sup>n</sup></i>	<i>Present worth to annuity i(1 + i)<sup>n</sup> - 1 / (1 + i)<sup>n</sup> - 1</i>
1	1.070	0.9346	1.000	1.00000	0.935	1.07000
2	1.145	0.8734	2.070	0.48309	1.808	0.55309
3	1.225	0.8163	3.215	0.31105	2.624	0.38105
4	1.311	0.7629	4.440	0.22523	3.387	0.29523
5	1.403	0.7130	5.751	0.17389	4.100	0.24389
6	1.501	0.6663	7.153	0.13980	4.767	0.20980
7	1.606	0.6227	8.654	0.11555	5.389	0.18555
8	1.718	0.5820	10.260	0.09747	5.971	0.16747
9	1.838	0.5439	11.978	0.08349	6.515	0.15349
10	1.967	0.5083	13.816	0.07238	7.024	0.14238
11	2.105	0.4751	15.784	0.06336	7.499	0.13336
12	2.252	0.4440	17.888	0.05590	7.943	0.12590
13	2.410	0.4150	20.141	0.04965	8.358	0.11965
14	2.579	0.3878	22.550	0.04434	8.745	0.11434
15	2.759	0.3624	25.129	0.03979	9.108	0.10979
16	2.952	0.3387	27.888	0.03586	9.447	0.10586
17	3.159	0.3166	30.840	0.03243	9.763	0.10243
18	3.380	0.2959	33.999	0.02941	10.059	0.09941
19	3.617	0.2765	37.379	0.02675	10.336	0.09675
20	3.870	0.2584	40.995	0.02439	10.594	0.09439
21	4.141	0.2415	44.865	0.02229	10.836	0.09229
22	4.430	0.2257	49.006	0.02041	11.061	0.09041
23	4.741	0.2109	53.436	0.01871	11.272	0.08871
24	5.072	0.1971	58.177	0.01719	11.469	0.08719
25	5.427	0.1842	63.249	0.01581	11.654	0.08581
26	5.807	0.1722	68.676	0.01456	11.826	0.08456
27	6.214	0.1609	74.484	0.01343	11.987	0.08343
28	6.649	0.1504	80.698	0.01239	12.137	0.08239
29	7.114	0.1406	87.347	0.01145	12.278	0.08145
30	7.612	0.1314	94.461	0.01059	12.409	0.08059

*Solution*

See Figure B-3a. The \$5,000 is a present worth, the value 10 years hence is a future worth. The future worth is obtained by multiplying the present worth by the conversion factor “Present Worth to Future Worth” for 10 years from Table B-3:

$$\text{Future worth in 10 years} = \$5,000 \times 1.967 = \$9,835$$

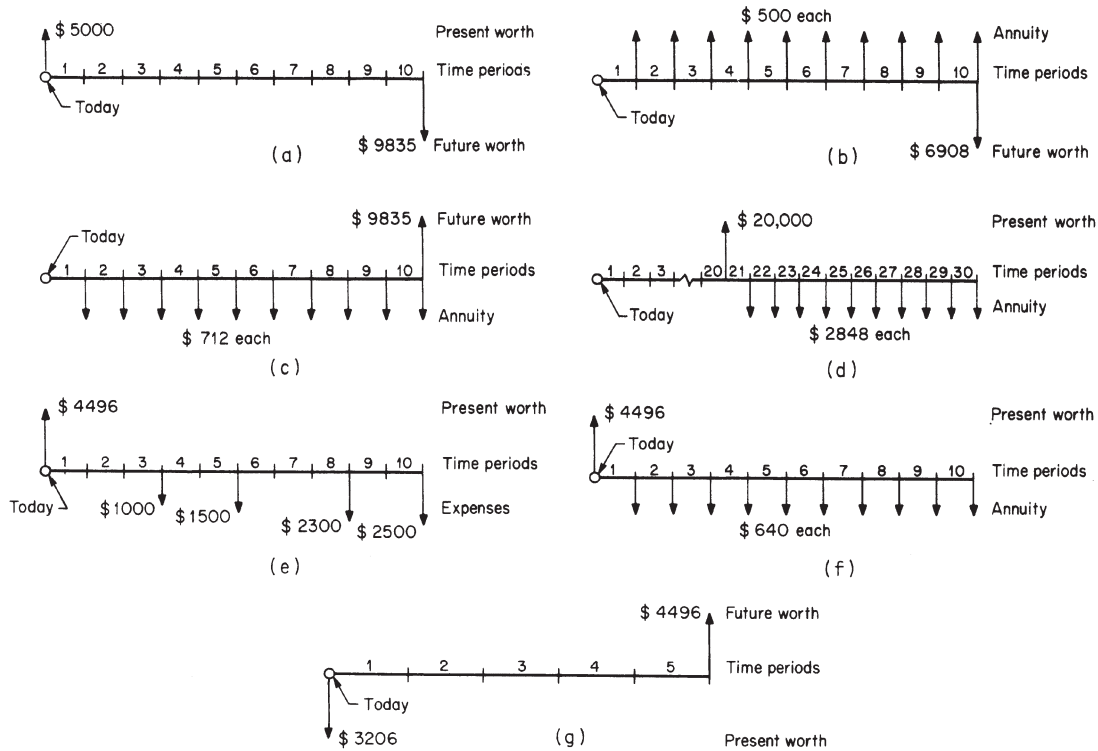


Figure B-3. (a) Illustrating present worth to future worth. (b) Illustrating annuity to future worth. (c) Illustrating future worth to annuity. (d) Illustrating present worth to annuity. (e) Illustrating non-uniform expense. (f) Illustrating uniform annual charge. (g) Illustrating present worth, years hence vs. today.

---

**EXAMPLE B-2. Future worth to present worth (single amount at any date to single amount at any previous date).**

You have estimated that 10 years from now the unpaid mortgage on your house will be \$9,835. How much money do you have to invest today at 7% interest to just accumulate \$9,835 in 10 years?

*Solution*

The \$9,835 is a future worth; the present worth of that amount is desired. From Table B-3, the conversion factor is 0.5083:

$$\text{Present worth} = \$9,835 \times 0.5083 = \$5,000$$

This is the reverse of Example B-1. The conversion factor for future worth to present worth is simply the reciprocal of the present worth to future worth factor. The worth-time diagram is the same as for Example B-1.

---

---

**EXAMPLE B-3. Annuity to future worth (annuity over any period to single amount at end of period).**

You plan to save \$500 of your earnings each year for the next 10 years. How much money will you have at the end of the 10th year if you invest your savings at 7% per year?

*Solution*

The \$500 each year is an annuity since it is a uniform amount each year. You wish to know the future worth. From Table B-3, the annuity to future worth factor, 10 years, is 13.816:

$$\text{Future worth of the annuity} = \$500 \times 13.816 = \$6,908$$

Note from Figure B-3b that annuity payments are assumed to be made at the end of each time period. The conversion factor evaluates future worth at the same time that the last annuity payment is made.

---

---

**EXAMPLE B-4. Future worth to annuity (single amount at any given date to annuity over any previous period ending at the given date).**

If the unpaid mortgage on your house in 10 years will be \$9,835, how much money do you have to invest annually at 7% interest to have just this amount on hand at the end of the 10th year?

*Solution*

See Figure B-3c. The \$9,835 is a future worth; the uniform amount (annuity) to set aside annually is desired. From Table B-3, the future worth to annuity factor, 10 years, is 0.07238:

$$\text{Annuity} = \$9,835 \times 0.07238 = \$712$$

**EXAMPLE B-5. Present worth to annuity (single amount at any given date to annuity over any subsequent period starting at the given date).**

You hold an endowment type insurance policy which will pay you a lump sum of \$20,000 when you reach age 65. If you invest this money at 7% interest, how much money can you withdraw from your account each year so that at the end of 10 years, there will be nothing left?

*Solution*

See Figure B-3d. The \$20,000 can be considered the present worth at the end of the 10th year. From Table B-3, the present worth to annuity factor, 10 years, is 0.14238:

$$\begin{aligned} \text{Annuity which may be withdrawn for 10 years} &= \$20,000 \times 0.14238 \\ &= \$2,848 \end{aligned}$$

Note that direct use of the conversion factor assumes the first withdrawal to take place one period after the lump sum of \$20,000 is received.

**EXAMPLE B-6. Annuity to present worth (annuity over any period to single amount at start of the period).**

You have estimated that for the first 10 years after you retire you will require an annual income of \$2,848. How much money must you have invested at 7% at age 65 to realize just this annual income?

*Solution*

The present worth of an annuity for 10 years is desired. From Table B-3,



the annuity to present worth factor, 10 years, is 7.024:

$$\text{Present worth} = \$2,848 \times 7.024 = \$20,000$$

The worth-time diagram is the same as for Example B-5.

**EXAMPLE B-7. Present worth non-uniform expenses to equivalent uniform annual charge.**

The maintenance expenses for the next 10 years on a piece of equipment are estimated as follows:

<u>Year</u>	<u>Amount</u>
3	\$1,000
5	1,500
8	2,300
10	2,500

What is the present worth of these expenses? What is the uniform annual payment for 10 years equivalent to this non-uniform series? What does this mean?

*Solution*

See Figure B-3e. The expense amounts are future worths in the year indicated. The present worth is desired. Future worth to present worth factors from Table B-3:

<u>Year</u>	<u>Amount</u>	<u>Factor future worth to present worth</u>	<u>Present worth</u>
3	\$1,000	0.8163	\$ 816
5	1,500	0.7130	1,070
8	2,300	0.5820	1,339
10	2,500	0.5083	1,271
Total			\$ 4,496

*Amount*

The total present worth of these non-uniform series of expenses is \$4,496. The equivalent uniform annual series is obtained by applying the present worth

to annuity factor for 10 years to the present worth. From Table B-3, present worth to annuity factor, 10 years, is 0.14238:

$$\text{Equivalent uniform annual charge} = \$4,496 \times 0.14238 = \$640$$

(See Figure B-3f.) This means that if you had \$4,496 and invested it at 7%, you could withdraw the required amounts to meet exactly either the nonuniform series of expenses or payout an equivalent amount of \$640.

---

---

**EXAMPLE B-8. Present worth some years hence to present worth today.**

Assume the expenses given in Example B-7 were to be associated with a piece of equipment to be installed 5 years from now. What is the present worth of the non-uniform expenses in that case?

*Solution*

See Figure B-3g. The present worth previously obtained was the present worth for the expenses incurred in the 10 years following installation of the project. This is a present worth 5 years from now. In terms of today's present worth, it is a future worth 5 years away. The present worth today is obtained simply by converting the future worth in 5 years to a present worth. From Table B-3, the future worth to present worth factor, 5 years, is 0.7130:

$$\text{Present worth today} = \$4,496 \times 0.7130 = \$3,206$$

---

## PROCEDURE FOR ECONOMIC STUDIES

The procedures for commencing an economic study may be laid out in a sequence of steps:

1. The facts concerning the different plans that could be used to meet the requirements of the problem should be set down. The plans should be made as comparable as possible.
2. The capital expenditures which will be incurred under each of the plans and the timing of these expenditures should be determined. The amounts and timing of operating and maintenance expenses

must be estimated; allocations of cost to capital and expense must be adhered to.

3. A study period must be selected during which the revenue requirements incurred by the plans will be evaluated. In economic studies, it is seldom possible to find a study period which will precisely reflect the timing inherent in each of the plans under study. It will often be helpful to draw a diagram of the timing of capital and expense dollars for each of the plans in determining the study period. The study period chosen must be one determined on the basis of judgment. In every case, it must be sufficiently long to approximate the overall effects, over a long period of time, of the money reasonably to be spent for both capital and operating expenses.
4. The annual charges resulting from the capital expenditures in each phase must be calculated if broad annual charges cannot be applied. In considering alternate plans, items common to the several plans may be omitted from the calculations. The effect of temporary installations, salvage, and of the removal of equipment which can be used elsewhere on the system must be taken into account.
5. When annual revenue requirements are non-uniform, the present worth of the revenue requirements for each plan must be calculated. The most economical plan will have the lowest present worth of revenue requirements. In the case where annual revenue requirements are uniform throughout the study period, the plan with the lowest annual requirements will be the most economical.
6. The comparison of the economic differences among the plans may be made on the dollar differences among the present worths of the revenue requirements. If percentage difference is considered, the dollar differences may be misleading as, in conducting the study, charges which are the same in the several plans are generally omitted; this will distort the base upon which a percentage difference is derived.
7. A recommendation of the most advantageous plan must be made. The plan with the minimum revenue requirements would be recommended from an economic point of view. Other considerations

may indicate the recommendation of one of the other plans despite higher revenue requirements.

## CONCLUSION

Economic studies constitute perhaps the most important ingredient in the implementation of a project. In sum, the consideration of any undertaking must answer satisfactorily three basic requirements or questions:

1. Why do it at all?
2. Why do it now?
3. Why do it this way?

The answers to these can, in large part, be supplied by the results of economic studies.

*This page intentionally left blank*

## Appendix C

# The Grid Coordinate System: Tying Maps to Computers\*

by Anthony J. Pansini EE, PE  
Engineering & Management Consultant Waco, Texas

### INTRODUCTION

The grid coordinate system is the key that ties together two important tools, maps and computers. Maps are a necessity for the better operation of many enterprises, especially of utility systems. Their effectiveness can be increased many fold by adding to their information data contained in other files. Much of the latter data are now organized and stored in computer-oriented file—on punched cards and on magnetic tapes, drums, disks, and cells. Generally, these data can be retrieved almost instantly by CRTs (cathode ray tubes) or printouts. The link that makes the correlation of data contained on the maps and in the files practical is the grid coordinate system.

Essentially, the grid coordinate system divides any particular area served into any number of small areas in a grid pattern. By superimposing on a map a system of grid lines, and assigning numbers to each of the vertical and horizontal spacings, it is possible to define any of the small areas by two simple numbers. These numbers are not selected at random, but have some meaning. Like any graph, these two coordinates represent measurements from a reference point; in this respect they are similar to navigation's latitude and longitude measurements.

Further subdivision of the basic grid areas into a series of smaller grids is possible, each having a decimal relation with the previous one (i.e., by dividing each horizontal and vertical space into tenths, each resultant area will be one-hundredth of the area considered). By using more detailed maps of smaller scale, it is possible to define smaller and

---

\*Reprinted (with modifications) from *Consulting Engineer*,® January 1975, vol. 44, no. 1, pp. 51-55. © Copyright by Technical Publishing, a company of the Dun & Bradstreet Corporation, 1975. All rights reserved.

smaller areas simply by carrying out the coordinate numbers to further decimals. For practical purposes, each of these grid areas should measure perhaps not more than 25 ft by 25 ft (preferably less, say, 10 ft by 10 ft) and should be identified by a numeral of some 6 to 12 digits.

For example, by dividing by 10, an area of 1,000,000 ft by 1,000,000 ft (equivalent to some 190 miles square) can be divided into 10 smaller areas of 100,000 ft by 100,000 ft each, identified by two digits, one horizontal and one vertical. This smaller area can again be subdivided into 10 smaller areas of 10,000 ft by 10,000 ft each, identified by two more digits, or a total of four with reference to the basic 1,000,000-ft square area. Breaking down further into 1000- by 1000-ft squares and repeating the process allows these new grids to be identified by two more digits, or a total of six. Again dividing by 10 into units of 100 ft by 100 ft, and adding two more digits, produces a total of eight digits to identify this grid size. One more division produces grids of 10 ft by 10 ft and two more digits in the identifying number—for a total of 10 digits, not an excessive number to be handled for the grid size under consideration; see Figure C-1.

This process may be carried further where applications requiring smaller areas are desirable; however, each further breakdown not only reduces the accuracy of the measurements, but also adds to the number of digits, which soon becomes unmanageable. Experience indicates that a “comfortable” system should contain 10 digits or fewer for normal uses.

While the decimal relation has been mentioned, other relations can be used, such as sixths, eighths, etc., or combinations, such as eighths and tenths, and others.

### **Standard References**

To give these numerals some actual physical or geographical significance, they may be tied in with existing local maps, U.S. Geological Survey maps, coast and geodetic survey maps, state plane coordinate systems, standard metropolitan statistical areas, or latitude and longitude bearings. They may also be tied in with maps independent of all of these.

While reference to state and federal government systems lends some geographical significance, it produces identifying grid numbers with several additional digits. It is not necessary for any grid coordinate system to have this reference to a government system, but if it is desired,

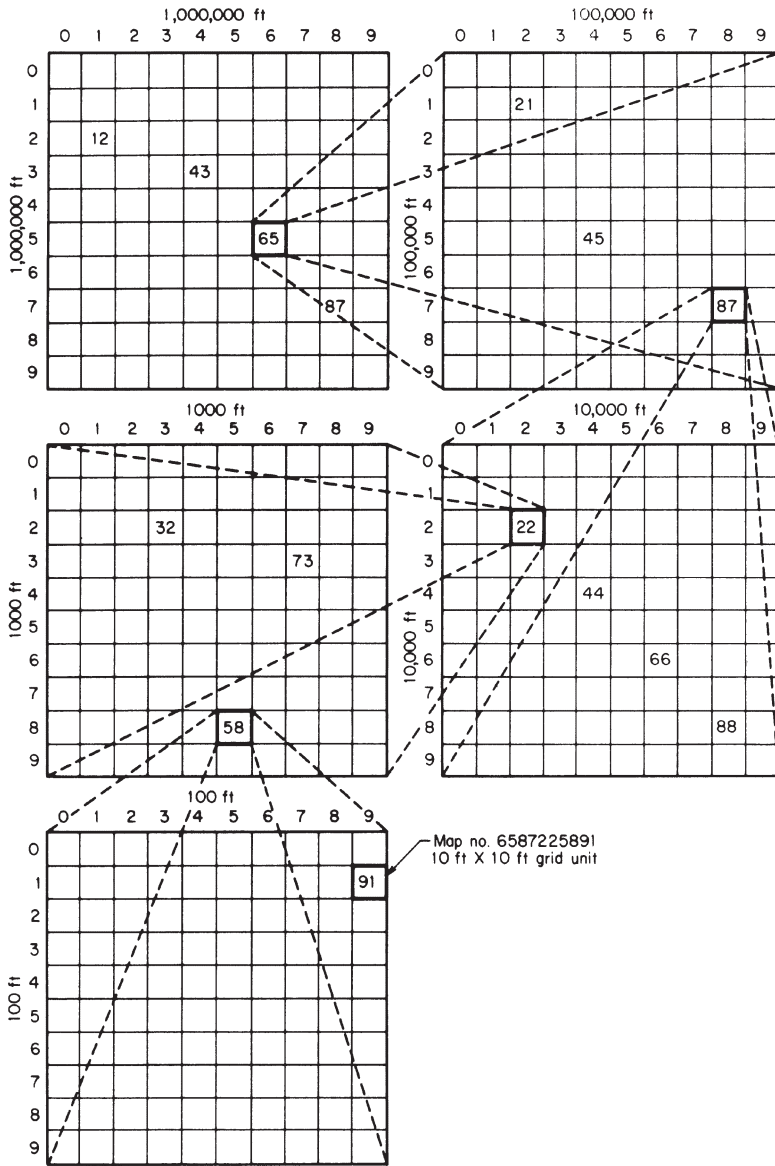


Figure C-1. Development of grid coordinate system.



it is a relatively simple procedure to develop a computerized look-up program that can translate such coordinates.

Basic grid coordinate maps may be developed from the conversion of existing maps to a usable scale, if such maps are reasonably accurate and complete, both as to their geography and content. They may also be developed from exact land surveys, from aerial surveys, or from combinations of all of these.

Excellent maps are also available for most of the country. U.S. Geological Survey maps show latitude and longitude lines every few miles; they also show numerous triangulation stations with the latitude and longitude for each station determined to an extreme degree of accuracy. Further, detail maps are available for practically every city and township, showing streets, houses, and lots. Despite the fine degree of accuracy of these maps, minor inaccuracies and discrepancies are bound to occur.

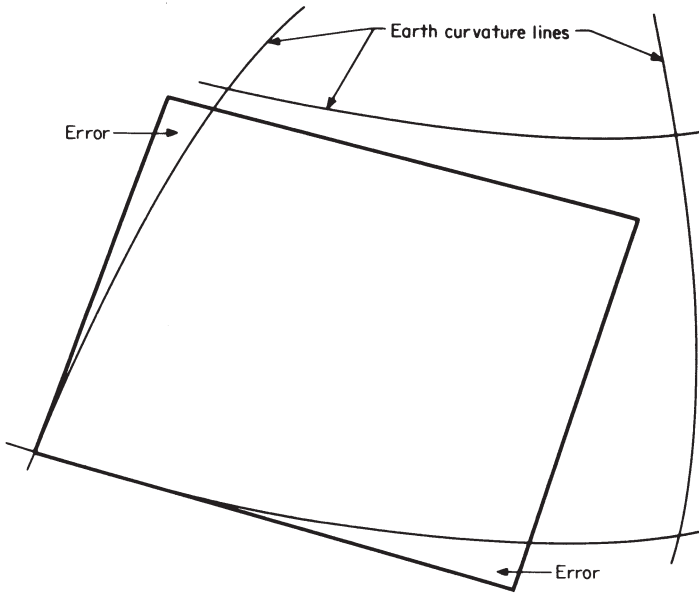
#### *Earth's Curvature*

Curvature Errors occur in mapping the earth's curved surface on a flat map; see Figure C-2. For example, in the case of the approximate 190-mi square mentioned previously, in the continental United States, the error introduced by this curvature, measuring from the center (95 mi in the longitudinal, or north-south direction) would probably not exceed 2 percent, a tolerable error. These errors need not be of great import, except in establishing match lines between maps. No gaps or overlaps should appear between adjacent maps, or between property or lot lines within a map. Tolerances of a few percent ordinarily are acceptable.

### GRID COORDINATE MAPS

A grid coordinate map system should meet the following requirements:

1. It should include a simple and easily understood system of numerals for locating the data under consideration (numerals only; the  $x$  and, coordinates).
2. The grid areas should be small enough to be consistent with the purposes for which they are to be used (25 ft by 25 ft or less).



**Figure C-2. Error introduced in grid coordinate system by earth curvature.**

3. The number of digits in the grid number should be held to a practical number so as not to become cumbersome and unwieldy (normally not more than about 10).
4. It should be designed to allow for expansion so that it will not have to be radically revised if unforeseeable expansion should occur.
5. It must provide reasonable accuracy (tolerances of a few percent), and it may or may not be tied in with some government or other established coordinate system.
6. Map sizes should be manageable (say, 24 or 36-in square).
7. Maps of different scales should be included in the system to accommodate different kinds of data (for circuit data, say 1000 or 500 ft; for details of facilities, say, 100 ft for overhead and 50 or 25 ft for underground).

8. A key map must show the entire grid area.
9. Optional is a grid atlas showing street locations with grid overlay.

In attempting to design a grid coordinate system for a very large area, it may be difficult to meet these requirements. In such instances it may be desirable and practical to divide the entire area into two or more convenient districts, establishing a separate grid coordinate system in each district and tying the separate systems together with match lines at the borders. A prefix letter or number may be used to identify districts, though this may not prove necessary in actual operation.

The size of individual maps should be large enough to encompass an area suitable for the purpose but small enough not to be unwieldy; sizes of 24 or 36 in square have proven practical. Maps of different scales are used for different purposes; for example, a 50- or 100-ft scale is used for dense or crowded areas; 300- or 500-ft for less dense or rural areas; and 500- or 1000-ft or even larger for district or overall area viewing. The series of scales used should be such that the larger-scale maps fit into those of smaller scale completely and evenly. Match lines of each sheet should fall on corresponding match lines of adjacent sheets.

The grid pattern applicable to each of the several scale maps may be printed directly on each map as light background lines, perhaps even in a different color, or printed on the back of the maps when they are reproduced. Alternately, a grid overlay can be applied to each map to be used when it is necessary to determine a grid coordinate for an item on the map. The actual grid number need not be printed on every item on every map unless desired. Such numbers assigned to key locations on each map normally suffice; the others may be determined from the grid background or overlay. To maintain their permanence and to minimize distortion from expansion and contraction because of changing humidity and temperature, the maps should be printed on a material such as Mylar, a translucent polyester-base plastic film; this is especially true of the base maps from which others of different scales and purposes are derived.

As much as practical, the data on the maps should be uncluttered and as legible as possible. It may be desirable in some instances to provide two or more maps (of the same scale) for several purposes; marks for coordinating these several maps, should it be necessary, may be included on each of the maps.

Maps may be further uncluttered by deliberately removing as much of the information on them as appears desirable and practical and consigning such information to files readily accessible by computer. In many instances, this information already is included or duplicated in such files, but may need to be labeled with the appropriate grid coordinate number. The use of CRTs and printouts makes this information available at will.

### **Application of Grid Coordinate Numbers**

The grid coordinate number may be applied to each item of information contained in the computer-operated files by location. This may be done in several ways: manually, by machine, or a combination of the two.

The manual method is to superimpose or overlay the grid pattern on existing maps and manually assign numbers to each item to be processed. As mentioned previously, the grid pattern may be transferred to the master or original maps, and reproduced (or microfilmed) on the maps for the user; here numbers can be assigned directly from the map.

The machine method of grid number assignment employs an electronic scanning device called a *digitizer*. This machine includes a drafting table for map display and a cursor or pointer. The postal address and other fixed data are inserted on a punch card. For a particular map, the grid numbers of the map are set on the digitizer console. The digitizer assigns the  $x$  and  $y$  coordinates when the cursor is placed on a selected point and activated. These data are fed to a keypunch, which produces a punched card. In this method of producing the grid coordinate numbers, the digitizer enables additional refinement to be achieved, producing additional decimal numbers for the  $x$  and  $y$  coordinates. Hence, the ultimate grid area that can be measured can be one-tenth or one hundredth, etc., of the basic unit area (1 ft by 1 ft, or 0.1 ft by 0.1 ft, for a 10- by 10-ft base area).

When numbers are assigned manually from maps, this degree of accuracy is not possible, nor is it necessary if the principal purpose of the grid coordinate system is to identify an item rather than a precise point. While the actual accuracy of such additional digits can be questioned, they provide a method of further subdividing a map for closer location of an item, but more important, they make possible a system of automatic mapping using the computer.

The grid coordinate number corresponding to the location of an item in question is added to its record and now becomes its computer

*address.* In assigning these numbers to existing files, the digitizer generally can properly identify the location from a suitable map. As a practical matter, however, there will be some locations or descriptions that cannot be identified using the digitizer, and these may require manual processing and actual checking in the field; fortunately these usually constitute only a small percentage of the total records.

In the maintenance of such files, the grid coordinate numbers associated with changes in, or with the introduction of new items into, the records can be assigned manually by the originator of the record.

## COORDINATE DATA HANDLING

As implied earlier, the grid coordinate system provides an easy and simple but, more important, a very rapid means of obtaining data from files through the use of the computer. In some respects, it assigns addresses to data in the same way as the ZIP code system in use by the postal service. The manner in which the grid number may be used is illustrated in the following examples; for convenience they refer to electric utility systems, although obviously they apply equally well to other endeavors employing maps and records.

Data contained on maps and records generally apply to the consumers served and the facilities installed to serve them. While maps depict (by area) the geographic and functional (electrical) interrelationship between these several components, the records supply a continuing history (by location) of each component item (consumers and facilities).

In the case of consumers, such data may include, in addition to the grid coordinate number, the name and post office address. Also a history of electric consumption (and demand where applicable), billing, and other pertinent data over a continuing period, usually 18 or 24 months. There may also be data on the consumer's major appliances; also the date and work order number of original connection and subsequent changes. The grid coordinate number of the transformer from which the consumer is supplied is included, as well as that for the pole or underground facility from which the service to the consumer is taken. Sometimes interruption data may be included. Other data may include telephone number, tax district, access details, hazards (including animals), dates of connection or reconnection, insurance claims, easements, meter data, meter reading route, test data, credit rating, and other pertinent information. Only a

small portion of these data are shown on maps, usually in the form of symbols or code letters and numerals. In the case of facilities, such data may include, in addition to the grid coordinate number, location information, size and kind of facility (e.g., pole, wire, transformer, etc.), date installed or changed, repairs or replacements made (including reason therefore, usually coded), original cost, work order numbers, crew or personnel doing work, construction standard reference, accident reports, insurance claims, operating record, test data, tax district, and other pertinent information. Similarly, only a small portion of these data are shown on maps, usually in the form of symbols or code letters and numerals.

Data from other sources also may be filed by grid number for correlation with consumer and facility information for a variety of purposes. Such data may include government census data; police records of crime, accidents, and vandalism; fire and health records; pollution measurements; public planning; construction and rehabilitation plans; zoning restrictions; rights-of-way and easement locations; legal data; plat and survey data; tax district; and much other information that may affect or be useful in carrying out utility operations.

Obviously, all these data, whether pertaining to the consumer or to the utility's facilities, are not necessarily contained on one map or in one record only; indeed, there may be several maps and records involved, each containing certain amounts of specialized or functionally related data. All, however, may be correlated through the grid coordinate system.

### **Data Retrieval**

Data contained in the files may be retrieved by means of the computer and may be presented visually by means of CRTs for one-time instant use, or by printouts and automatic plotting for repeated use over an indefinite time period. Data presented may be the exact original data as contained in one or more files, or extracted data obtained as a result of correlating data residing in one or more files, or a combination of both; such extracted data may or may not be retained in separate files for future use.

These data may be retrieved for an individual consumer or an individual item of plant facilities, or may be other data for a particular location. They may be retrieved for a group of individual locations, or for a particular area, small or large. The various specific purposes determine what data are to be retrieved and how they are to be presented. They

also determine the programs and equipment required. Data thus retrieved then are used with data contained on the map to help in forming the decisions required. The decisions may include new data that can be reentered in the files as updating material, that can be plotted or printed for exhibit purposes, or that can be reentered on maps for updating or expanding the material thereon; all of these may be done by means of the computer.

The grid coordinate number is applied to utility facilities for ease of location and positive identification in the field. In the case of electric utilities, these may include services, meters, poles, towers, manholes, pull boxes, transformers, transformer enclosures, switches, disconnects, fuses, lightning arresters, capacitors, regulators, boosters, streetlights, air pollution analyzers, and other equipment and apparatus; also the location of laterals on transmission and distribution circuits.

## OTHER APPLICATIONS

Similarly, for gas utilities, the applications of grid coordinate numbers may include mains, services, meters, regulators, valves, sumps, test pits, and other equipment; also the location of boosters, laterals, and nodes on the gas systems. For water systems, they may include mains, services, meters, valves, dams, weirs, pumps, irrigation channels, and other facilities. For telephone and telegraph communication systems, including CATV circuits, they may include mains, services, terminals, repeaters, microwave reflectors, and other items including poles, manholes, and special items.

Grid coordinate numbers also may find application in many other lines of endeavor: highway systems, railway systems, oil fields, social surveys (police, health, income, population distribution, etc.), market surveys (banks and industries), municipal planning and land use studies, nonclassical archeology, geophysical studies, and others where such means of location identification may prove practical.

The use of grid coordinates facilitates positive identification in the field; the numbers are posted systematically on facilities, such as street-light or traffic standards, poles, and structures, and at corners or other prominent locations.

An atlas, consisting of a grid overlay on a geographical map, aids the field forces in locating consumers and plant facilities and provides

a common basis for communication between office and field operating personnel.

The grid pattern permits the classical manipulation of data by individual grid sections or areas comprising several grid sections. In addition to the sample presentation of such data by means of CRT displays and typed printouts, data may be presented in the form of plotting in various graphical forms, in patterns indicating the distribution of data, the density of particular data, the accumulation of data within fixed boundaries, the determination of area boundaries for predetermined data content (the analysis of data within a given polygon), the calculation of lengths and distances between grid locations, and the mapping of facilities in acceptable detail—and all of these operations may be performed automatically by means of the computer.

Further, summaries and analyses employing the grid coordinate system may be more readily made and are susceptible to combination and consolidation, resulting in perhaps fewer and more comprehensive reports (eliminating the duplication of much needless data and the presentation of more complete and meaningful conclusions in one place).

In all of the foregoing discussion, the point must be made that all of the handling of data using the grid system may also be accomplished without the use of the grid system. It is apparent, however, that this latter method will in the vast majority of cases employ more effort in terms of work hours and will be more time-consuming, so as to render many applications impractical, even though their desirability may be great; in short, the grid coordinate system enhances the economics of data handling.

## ECONOMICS

It is not to be denied that the introduction of the grid coordinate system will impose additional cost to the maps and records function. It is also evident that these costs will be offset by the decreased personnel requirements in the processing of data derived from the maps and records, especially when the computer may be made to take up a large part of this burden. Moreover, more refinement and a wider scope in processing of data are attainable.

The cost of implementing a grid coordinate system can be evaluated fairly accurately. Many factors will influence the final determination;



these include the area of the system involved, the number of consumers and facilities, the condition of the basic and auxiliary maps and records, the number and scope of the applications desired, the extent of automation, and many other factors. A very approximate estimate may average perhaps about one day's revenue per consumer. Practical considerations associated with implementation may well dictate a period of several years, perhaps 5 years or even more, over which the expenditure will have to be made to accomplish the desired goals.

The offsetting savings from the introduction of a grid coordinate system, including those derived from the additional worth of the wider utilization, are difficult to pinpoint. It should be observed that while it is probable that a single application will not justify the adoption of the grid coordinate system, except in some unusual or special set of circumstances, it is also probable that the multiplicity of practical applications indicated will justify the relatively modest expenditure necessary for the conversion of present maps and records to the grid coordinate system.

The personnel requirements necessary to implement a grid coordinate system over a reasonable (short-term) period of time must be viewed together with the overall probable lessened longer-term in-house requirements. Since such a conversion is a one-time operation, it recommends itself admirably to the classical use of contractors having the special skills and experience. Further, such outside services are not apt to be diverted by crisis incidents prevalent in many enterprises.

One final observation. With the national consensus apparently pointing to an ultimate metric system for the United States to conform with world standards, the adoption of a grid coordinate system provides an excellent opportunity for its introduction with a minimum of conversion effort.

With the advent of the computer, it was inevitable that the grid coordinate system should be developed to provide a simple means of addressing the computer. The grid number provides the link between the map and the vast amount of data managed by the computer. This happy marriage of two powerful tools results not only in better operations but in improved economy as well. It is a must in the modernization of operations in many enterprises and especially in utility systems.

## Appendix D

# Automated Distribution Comes of Age\*

by Thomas J. Kendrew and John A. Marks

### INTRODUCTION

The subject of automated distribution for electric utilities is receiving widespread attention. The idea has been around for over 10 years—that is, the idea of an “expert system” designed to automatically operate and coordinate the use of all of a utility’s distribution components in real time. Only recently, with advances in digital and communications technology, has its application been a real possibility.

The time for implementation has come. Consider that electric utilities are among the largest users of data of any industry and, according to some experts, are the largest users of real-time data. In today’s utility industry, computer workstations are on the desks of nearly everyone from the CEO to the plant maintenance technician. At corporate headquarters, managers, engineers, clerks, and specialists of every kind process and analyze business and operational information through a host of computers big and small. From next month’s revenue projection to next week’s system load forecast, to the next day’s customer billing run, data are the operational lifeblood of the utility industry.

Such a thumbnail sketch of utilities’ data processing and communications functions could give the impression that all those computers and other electronic gear are neatly connected into very large systems encompassing the full range of utility operations. Information entered anywhere in the system would wind its way up, down, and across the organization, to be electronically filtered out to those people and systems that need it and are authorized to receive it.

---

\*Reprinted from *Computer Applications in Power*, Vol 2, No 1, January 1989—Power Engineering Society, Copyright IEEE.

## BRIDGING THE ISLANDS OF COMMUNICATION

But that is far from the case. In fact, most utilities' computers and communications systems were designed only to perform specific functions, such as supervisory control and data acquisition (SCADA) in transmission or distribution operations or financial accounting in corporate systems. Most were put in place, piecemeal, as needs arose or as new technology opened opportunities to automate. Although such independence can be a strength in certain respects, it can become a disadvantage when different systems must work together.

Most systems were installed with no, or only limited, capability to communicate with other systems. Rarely have all of the systems' utility uses come from the same vendor, with compatible interconnections or with standard communications protocols—the procedural codes that govern how data are exchanged among systems. Therefore, islands of communication have resulted.

An integrated distribution system is a way of connecting all the components of a utility's distribution system into a single communications network. The potential benefits of automated distribution systems are striking. The Electric Power Research Institute (EPRI) has worked with several electric utilities and found that the improved productivity and the remote monitoring resulting from an automated distribution system could save as much as 10 percent of their annual operation and maintenance expenses. Other utilities may find such automation of substantial value, and appropriate evaluation studies of automation functions are recommended.

## SINGLE FUNCTIONS NOW JUSTIFY INSTALLATION

Today, as utilities look more closely into the applicability of currently available automated distribution systems, economies are beginning to emerge that justify its installation on the basis of a single function.

One example is the new "smarter substation." Today's microprocessors can operate in the harsh environment of a distribution substation and, if so ordered, make operating decisions and issue commands. Automated distribution systems provide far more automation than existing SCADA systems. A SCADA system usually provides limited substation data and some operating capability but provides very little knowledge

of the distribution system beyond the substation feeder breaker. Using a SCADA system, an operator may be able to open or close the feeder breaker, but that is about it.

During a persistent fault condition with a feeder lockout, a dispatch operator must make some decisions about the fault conditions based on his or her intimate knowledge of the distribution system. Before any decisions are made, the operator must analyze wall maps for feeder routing. When routing is identified, an emergency repair crew is contacted and feeder patrolling starts. After the fault is located, it is isolated and power is restored to other, unaffected areas.

Restoration of the unaffected areas, therefore, requires interaction between the dispatch operator, several data bases, and field personnel. The distribution dispatch center may have information available concerning the loading and availability, of backup feeders, again through data bases, and the dispatcher will determine if a switch can be closed to pick up load for an isolated part of the faulted feeder. After restoring service to all nonaffected zones of the faulted feeder-which takes an average of three hours-work starts on the faulted area.

The above example outlines the necessary response to a single-point utility system fault and the subsequent measures taken to restore customer service. During a major storm, this condition could multiply by one or two orders of magnitude, depending on the size of the storm area or the size of the utility itself. Under these conditions, the system operator must prioritize outage reports for a step-by-step investigation of feeders, which will inevitably result in longer outages for some customers.

An automated distribution system ties numerous data management and processing systems scattered throughout utility operations into a central control system. This lets a utility centrally automate more than 100 distinct functions and subfunctions. Centralized communications has the potential of becoming a data highway for all of a utility's data functions.

## SIMULATING AN OPERATOR'S DECISIONS

Automated distribution has the capability of opening and closing switches automatically, using the same techniques that an operator uses. The difference is that fault isolation and service restoration are done at

the substation level, in a few minutes, using substation microprocessors that have been programmed to react as an operator would. The processor also calls on different data bases, just as an operator would, to clear a fault and will queue up multiple faults and also clear them on a pre-established priority base. After the fault has been cleared, the processor will call the dispatch center and report what has happened. With an automated distribution system, restoration takes minutes instead of hours.

The scenario described in the previous paragraphs only touches on one capability of an automated distribution system. It was used because it shows that an "expert" system is capable of operation through computer control without human intervention. In addition, the automated system has digital protection capability far beyond the ability of today's conventional systems. For example, if an operator enters an incorrect protection value, the system may reject it. Another example is breaker backup. If the protection unit is inoperative and no command is issued to the breaker, the data-acquisition system will sense this and issue a trip command.

Finally, an automated distribution system is adaptive, with several built-in characteristics such as time-over-current (roc) curves, reclosing, underfrequency, backup, sync check, and diagnostics, only to mention a few subfunctions. These are implemented on a feeder rather than phase base.

## LOAD MANAGEMENT TOOL

Automated distribution can also aid in load management, balancing load between substation transformers and allowing for better utilization of transformer capacity. An unattended distribution substation could be considered attended through an on-site microprocessor. With the on-site microprocessor, load can be transferred within minutes, power transformers can be loaded to a full rating (not 50 percent as some are) to allow for the failure of an adjacent transformer. This capability could defer capital investments for additional transformer capacity, a major savings.

An integrated volt/VAR function could produce a large savings due to the control of losses and improved voltage control. This function alone may have the capability of paying for the automated distribution system.

**APPLICATIONS FOR AUTOMATED DISTRIBUTION**

**Automatic control**

Bus sectionalizing

- Fault isolation
- Service restoration
- Overload detection

Feeder deployment  
switching and automatic  
sectionalizing

- Fault location
- Fault isolation
- Service restoration
- Feeder reconfiguration

Integrated voltage and  
VAR control

- Bus voltage control
- Substation-transformer  
circulating current control
- Line-drop compensation
- Feeder remote-point voltage  
control
- Feeder reactive power control
- Substation reactive power  
control

Substation-transformer  
load balancing

- Transformer load loss  
reduction
- Minimization of overloads

Cold load pickup on feeders

**Manual control**

Distribution dispatch  
center/SCADA interface

**Data acquisition and  
processing**

Analog data freeze  
Data monitoring  
Data logging

**Interface**

Distribution communications  
interface

- Distribution line carrier
- Radio
- Telephone
- Others

**Protection**

Automatic reclosing  
Bus fault protection  
Instantaneous overcurrent  
Time overcurrent  
Substation-transformer protection  
Underfrequency protection

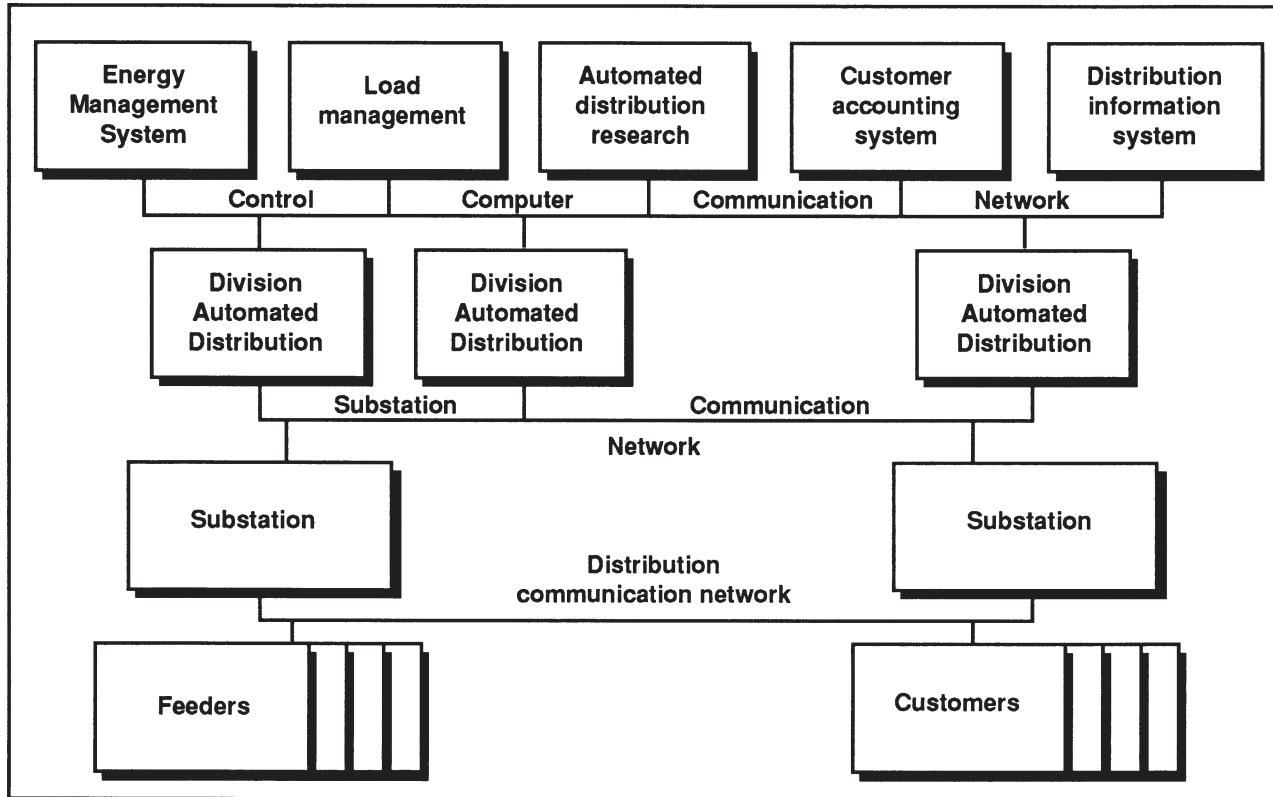
**Load Management**

Load control  
Remote service connection,  
disconnection  
Pass-through commands

- Fault isolation
- Service restoration

**Remote metering**

Load survey  
Peak demand metering  
Remote meter programming  
Tampering detection



Concept of integrated utility systems—An automated distribution system uses extended local area network (ELAN) concepts and appropriate communication protocols to address the requirement for network transparency to the user.

Remote meter reading and monitoring is also possible with automated distribution. In fact, the list of automated distribution capabilities could go on and on to describe more than 150 programmable functions.

## AUTOMATED DISTRIBUTION FEATURES

The main component of automated distribution is its backbone communications system. The central processor must be able to receive input from remote sources, process data, and transmit instructions back to those sources or substations. The central processor data base must be addressable so that the software patched into the system from remote sources is indifferent to incoming data location or format. Utilities must be willing to convert information stored in a variety of forms from maps, to text, to diagrams, into readable form in the central digitized data base (as seen in the figure). The data base then coordinates and processes information from throughout the distribution network.

The automated distribution system communicates with remote elements of the distribution network over all types of communications media. This versatility enables the central utility data base to independently control the myriad of functions performed throughout the distribution network.

Automated distribution is much more than a communications system, or load control, or a sophisticated SCADA system; it is true automation where software capability will actually replace the operator in some of the normal utility operations, thereby freeing them for other duties and improving their productivity. Automated distribution has endless capabilities because of its ability to interconnect systems or data bases that store data in many forms, acting as a translator for systems that essentially speak different languages. Utility planners are now looking at specific installations that take advantage of automation's ability to reconfigure a system in ways that can reduce the need for redundancy, defer construction of costly facilities, and maintain reliability with reduced resources. Automated distribution is as attractive from the engineering viewpoint as it is from operations.

Installation of an automated distribution system provides a second order of benefits to the innovative utility. Automated distribution establishes a valuable interface between the utility and the customer.



Through this central network, the utility can receive instantaneous information from substations during potential brown-out periods and then alter load distribution accordingly. This eliminates the need to appeal to customers to reduce use during peak periods. Automated distribution offers greater service reliability for customers and a more economical use of resources to the utility. It also provides a medium by which the utilities can advise customers of rapidly changing conditions. The benefits of an automated distribution system, therefore, filter through to the entire utility system.

### INSTALLING AN AUTOMATED DISTRIBUTION SYSTEM

The degree of compatibility between the automated distribution structure and a utility's organizational structure is a major factor in determining the success of the automated distribution system. Automation should be used to enhance the productivity of an operation; yet this may be difficult to accomplish if the system itself is at odds with the structure of the company. This is not to say that changes cannot or should not be made in a utility's organizational structure. Rather, the chances of successful integration of automated distribution will be greater if radical changes in the organizational structure are not required.

### CONCLUSION

As utility system load grows, utility systems necessarily become more sophisticated, and control of the large amounts of data necessary to properly operate these systems will similarly become unmanageable. Computerized distribution systems are well suited to tackle new challenges that will face utilities. Automation projects are paving a road for the future, and the need for that road is more critical with each passing day. As the need develops, the automation systems are being proven and will be ready to be incorporated into utility operations for both large and small utilities.

#### **For Further Reading**

"Building a Framework for Integrated Communications," *EPRIJ*, vol. 13, no. 5, pp. 26-35, July/Aug. 1988.

## **BENEFITS OF AUTOMATED DISTRIBUTION**

### **Investment related**

- Deferred generation
- Released transmission capacity
- Deferred distribution substation
- Deferred distribution substation transformer capacity
- Deferred feeder(s) and/or feeder getaway(s)
- Reduced wiring and cabling at distribution substation
- Displace or reduce need for:
  - Conventional SCADA master and remote terminals
  - Conventional metering and recorders at substation
  - Transducers (e.g., using waveform sampling)
  - Conventional controls, such as capacitor bank controls
  - Conventional protection

### **Interruption related**

- Increased revenue because of faster restoration
- Reduced crew time to locate faults and restore service

### **Customer related**

- Reduced customer complaints because of:
  - Low voltage
  - Prolonged outages
- Value to customer of improved reliability

### **Operational savings**

- Improved cash flow because of remote metering
- Improved conservation voltage regulation
- Improved engineering and planning decisions because of more accurate and timely distribution system data
- Repair and maintenance savings
- Generation fuels savings because of:
  - Reduced substation transformer losses
  - Reduced primary feeder and distribution transformer losses
  - Load management
  - Reduced spinning reserve requirement
- Reduced travel to distribution substations and feeders to switch load and gather data
- Reduced loss of revenue from theft of service

### **Improved system operation**

- Capability to change digital protection settings remotely
- Improved data for distribution-system operators during emergencies
- Improved detection of system equipment malfunction
- More sensitive protection (adaptive changes for reconfiguration, cold load pickup, etc.)
- Simplified change of substation sectionalizing routines
- Capability to reassemble distribution system quicker

"Building the Smarter Substation," *EPRIJ*, vol. 13, no. 4, pp. 16-21, June 1988. "Distribution Automation: Shifting from Research to Development," *Electrical World*, pp. 53-58, July 1988.

"Distribution Automation: What It's All About," Thomas J. Kendrew, *EPRI*, presented at the 40th Annual Power Distribution Conference, 1987.

"Automating the Distribution Network," *EPRI J*, vol. 9, no. 6, pp. 20-28, Sept. 1984.

# Appendix E

## U.S. and Metric Relationships

<i>Metric to U.S.</i>		<i>U.S. to metric</i>	
<b>Length</b>			
1 mm	= 0.03937 in	1 in	= 25.4 mm
1 cm	= 0.3937 in	1 in	= 2.54 cm
1 m	= 39.37 in	1 in	= 0.0254 m
1 m	= 3.2808 ft	1 ft	= 0.3048 m
1 m	= 1.094 yd	1 yd	= 0.9144 m
1 km	= 0.6214 mi	1 mi	= 1.609 km
<b>Surface</b>			
1 mm <sup>2</sup>	= 0.00155 in <sup>2</sup>	1 in <sup>2</sup>	= 645.2 mm <sup>2</sup>
1 cm <sup>2</sup>	= 0.155 in <sup>2</sup>	1 in <sup>2</sup>	= 6.452 cm <sup>2</sup>
1 m <sup>2</sup>	= 10.764 ft <sup>2</sup>	1 ft <sup>2</sup>	= 0.0929 m <sup>2</sup>
1 m <sup>2</sup>	= 1.196 yds <sup>2</sup>	1 yd <sup>2</sup>	= 0.8361 m <sup>2</sup>
1 hectare	= 2.471 acres	1 acre	= 0.4047 hectare
1 hectare	= 0.00386 mi <sup>2</sup>	1 mi <sup>2</sup>	= 258.99 hectare
1 km <sup>2</sup>	= 0.3861 mi <sup>2</sup>	1 mi <sup>2</sup>	= 2.59 km <sup>2</sup>
<b>Volume</b>			
1 cm <sup>3</sup>	= 0.061 in <sup>3</sup>	1 in <sup>3</sup>	= 16.39 cm <sup>3</sup>
1 m <sup>3</sup>	= 35.314 ft <sup>3</sup>	1 ft <sup>3</sup>	= 0.0283 m <sup>3</sup>
1 m <sup>3</sup>	= 1.308 yd <sup>3</sup>	1 yd <sup>3</sup>	= 0.7645 m <sup>3</sup>
1 liter	= 0.0353 ft <sup>3</sup>	1 ft <sup>3</sup>	= 28.32 liters
1 liter	= 61.023 in <sup>3</sup>	1 in <sup>3</sup>	= 0.0164 liter
1 liter	= 1.0567 qt	1 qt	= 0.9463 liter
1 liter	= 0.2642 gal	1 gal	= 3.7854 liters
1 m <sup>3</sup>	= 264.17 gal	1 gal	= 0.0038 m <sup>3</sup>
<b>Weight</b>			
1 g	= 0.0353 oz	1 oz	= 28.35 g
1 kg	= 2.2046 lb*	1 lb	= 0.4536 kg
1 T metric	= 1.1023 net tons**	1 net ton	= 0.9072 T (metric)
<b>Compound Units</b>			
1 kg/m	= 0.6720 lb/ft	1 lb/ft	= 1.4882 kg/m
1 kg/cm <sup>2</sup>	= 14.223 lb/in <sup>2</sup>	1 lb/in <sup>2</sup>	= 0.0703 kg/cm <sup>2</sup>
1 kg/m <sup>2</sup>	= 0.2048 lb/ft <sup>2</sup>	1 lb/ft <sup>2</sup>	= 4.8825 kg/m <sup>2</sup>
1 kg/m <sup>3</sup>	= 0.0624 lb/ft <sup>3</sup>	1 lb/ft <sup>3</sup>	= 16.0192 kg/m <sup>3</sup>
1 kg·m	= 7.233 ft·lbs	1 ft·lb	= 0.1383 kg·m
1 kW	= 1.340 hp	1 hp	= 0.746 kW
1 kg·m/cm <sup>2</sup>	= 46.58 ft·lb/in <sup>2</sup>	1 ft·lb/in <sup>2</sup>	= 0.0215 kg·m/cm <sup>2</sup>

\*Avoirdupois.

\*\*1 ton = 2000 lb.

*This page intentionally left blank*

# Index

## A

ac 37, 38, 40, 43, 119, 124, 302, 328, 373, 408  
ACSR 182, 325  
additive polarity 374, 375, 400  
air-break switches 395, 399, 406  
air conditioning 49  
air gap 386, 387  
alarm 439  
alcohol 419  
alley arms 162  
alternating current 32, 39, 415  
    circuits 10  
    systems 9  
aluminum 182, 183, 224, 225, 296, 313, 316, 317, 320, 322, 323, 325, 327, 331  
    conductors 268, 313, 325  
aluminum conductor, steel-reinforced (ACSR) 316  
American Wire Gauge (AWG) 318  
ammeters 301, 302, 408, 439  
ampere-hours 408  
amperes 46, 301, 406  
anchors 170, 171, 172, 177, 188, 191, 193, 203  
arc 115, 383, 384  
architecture 417  
armless construction 165  
armor 323  
armor wires 322  
arm guys 171  
arresters 98, 115, 116, 117, 349  
askarel-cooled 381  
askarels 399  
astronomical time switch 133

asymmetric current 126  
autotransformer 32, 77, 90, 92, 374, 389  
auxiliary circuits 294

## B

ball-and-socket 356  
banked secondaries 29, 30  
banking 27  
banks 85, 382  
barometers 439  
basic impulse insulation 387  
basic insulation level (BIL) 97, 107, 116, 292  
batteries 297  
bayonet-type 376  
beams 159, 163, 164, 166, 257  
bending moment 149, 159, 164, 165, 167, 171, 252  
bending radii 230  
bending strengths 339, 441  
bending stress 165  
Blondel's theorem 303, 440  
blowers 239  
bolts 162, 163, 164, 166, 167, 176, 225, 226, 340, 342  
boost-buck 90  
booster 76, 434  
bottom 376  
brace 177  
brass 317  
breakers 25  
bronze 317, 325  
Browne and Sharpe Gauge (B&S) 318  
brownout 433, 435

- bucket-type trucks 337
- bulk power 6
- buried logs 177
- bus(es) 5, 6, 7, 64, 74, 79, 95, 97, 99, 115, 169, 292, 295, 296, 301, 347, 351, 358, 399, 403
- buses and bus supports 410
- bushings 70, 97, 169, 270, 282, 297, 298, 351, 358, 373, 378, 380, 394, 400, 403
- C**
- cabled secondary mains and services 342
- cables 32, 46, 53, 81, 106, 175, 204, 229, 230, 231, 241, 268, 270, 277, 279, 284, 313, 315, 321, 322, 338, 364, 378, 399
  - manholes 232
  - multiple-conductor 241
  - primary and secondary 268, 269, 270
- cadmium 408
- caisson type 238
- cantilever 226
  - beam 148
- capacitance 81
  - rating 393
- capacitive reactance 392
- capacitors 6, 38, 39, 42, 43, 76, 77, 79, 80, 95, 97, 99, 104, 119, 157, 192, 226, 305, 351, 392, 394, 399, 400, 409, 419, 432, 450
- capacity 48, 49, 53, 64, 77, 85, 89, 90, 94, 97, 107, 115, 120, 136, 378
- carbon tetrachloride 405
- cascading 29
  - effect 434
- catenary 179, 180
- ceramic material 386
- charging current 395
- chestnut 331
- chimney 231, 232
- circuit 5, 10, 22, 53, 63, 64, 68, 69, 70, 71, 77, 81, 92, 96, 104, 107, 108, 113, 126, 131, 133, 134, 135, 136, 184, 188, 189, 294, 296, 303, 313, 330, 343, 373, 380, 382, 389, 392, 393, 394, 395, 397, 398, 403, 408, 431, 439, 440, 442, 450
  - breakers 6, 7, 23, 24, 25, 26, 29, 30, 64, 70, 71, 95, 96, 97, 98, 99, 100, 106, 107, 109, 113, 115, 119, 292, 294, 295, 297, 298, 351, 379, 390, 393, 396, 397, 398, 399, 403, 404, 408, 434, 436
  - main 54
  - reclosers 5
- circular mil (cmil) 318
- circulating currents 76, 85, 381
- clamps 176, 325, 327
- class(es) 333, 360384
- clearances 185, 186, 188, 193
- clearing time 101
- climbing space 339
- clips 176
- clocks 439
- closed loop 25
- cluster mounting 376
- coefficient of expansion 183, 343
- cogeneration 417, 419, 431, 435, 439
- cogenerator 437, 439
- coincidence 49, 56

- factor 46
- commercial 51
- communication 432
- compensator 80
- completely self-protected (CSP)  
271, 378
- compound 39
- compression 162, 168, 169, 176,  
255, 256, 344, 345  
strength 343, 346
- computers 42, 43, 49
- concentrate load 234
- concrete 331, 339, 359, 369, 370,  
371  
allowable stresses 246  
poles 338  
reinforced 230, 231, 232, 236,  
238, 240, 250, 252, 255, 267
- conductivity 315, 316, 317
- conductors 6, 10, 11, 12, 13, 33, 53,  
54, 55, 56, 57, 59, 61, 62, 64,  
69, 70, 72, 73, 74, 78, 81, 89,  
92, 97, 106, 121, 131, 145, 146,  
147, 149, 150, 153, 157, 158,  
161, 163, 164, 165, 166, 167,  
168, 169, 172, 173, 178, 179,  
181, 183, 185, 186, 191, 192,  
193, 202, 229, 241, 269, 270,  
279, 284, 291, 295, 313, 316,  
317, 318, 320, 321, 324, 326,  
328, 330, 336, 339, 340, 343,  
344, 347, 351, 352, 355, 356,  
358, 379, 380, 381, 386, 394
- conductor strands 321
- conductor tensions 182
- conduits 229, 232, 323
- connected directly 77
- connections 323
- connector 270, 325
- connectors 241
- conservation 444
- conservator 402
- considered 11
- constant-current circuits 184
- constant-current transformer 130,  
133
- construction 184
- consumption 44, 47, 49
- contact-making voltmeter 75, 80,  
134, 391
- control 432
- controller 443
- conventional 378
- conventional transformer 379
- coordinating points 103
- coordination 97, 116, 117, 119, 404
- copper 73, 172, 182, 296, 313, 315,  
316, 317, 320, 321, 322, 323,  
325, 327, 402
- copper-clad 316  
steel 313
- copper losses 59, 82, 84, 381
- copper oxide 408
- core 374, 381, 400  
loss 59
- corrosion 273, 274
- cover 238, 376, 378
- coverings 320, 321
- crest voltage capability 406
- cribbed 217
- cribbing 193, 212, 216, 333
- crib bracing 172
- cross-arm braces 161, 340
- cross arms 146, 147, 157, 158, 159,  
160, 161, 162, 163, 164, 165,  
168, 169, 170, 176, 178, 225,  
226, 322, 336, 339, 341, 342
- current-interrupting capability 406



current flowing 71  
current interrupting 405  
current transformers 75, 115, 294,  
296, 403  
currents 313, 347, 409  
cutouts 25, 70, 126, 226, 242, 271,  
385

## D

dc 37, 38, 40, 101, 119, 124, 294,  
302, 328, 408  
circuits 273  
dead-end 158, 161, 167, 169, 173,  
192, 193, 204  
dead-ended 181  
dead-front 271, 376  
dead loads 237, 244, 246, 251, 247,  
252, 266  
decay 332, 335  
decibels 403  
delta 19, 21, 22, 32, 49, 69, 71, 85,  
98, 100, 119, 303, 380, 381  
delta ( $\Delta$ ) connection 18  
delta circuits 68, 71  
demand 285, 304, 305, 435, 445  
demand control 28, 29, 30, 47, 48,  
136, 303, 307, 432, 431, 442,  
444, 447  
factor 44, 45, 53  
forecasting 447  
meters 439  
set 443  
systems 446  
depth settings 333  
design ultimate 364  
dielectric 42, 343  
strength 336, 373  
value 336  
differential relays 115  
direct-buried 275  
directional relays 114  
direct current 20, 32, 39, 415  
system 9, 10  
direct mounting 376  
disconnecting 378  
device 24, 25, 403  
disconnects 395  
disconnect and air-break switches  
405  
disconnect switches 399  
disk insulators 169  
distributed generation 435  
distribution 120, 145, 225, 226,  
231, 400  
circuits 169  
feeders 294  
substation 5  
distribution systems 8, 44, 47, 48,  
49, 50, 85, 117, 119, 134, 135,  
180, 184, 275, 291, 292, 309  
diversified coincident demand 59  
diversified maximum demand 60  
diversities 69  
diversity 28, 29, 30, 32, 45, 49, 432  
factor 45, 56  
door-type cutouts 404  
double arms 161, 164, 171  
double pins 164  
Douglas fir 331, 339  
drop in voltage 81, 323  
ducts 230, 231, 268, 313, 322, 323  
duct line 232

## E

earth pressure coefficient 244  
economics 48, 71, 73, 74, 94, 145,  
229, 232, 292, 352  
economic losses 53

- economy 9, 10, 89, 284  
eddy currents 42, 304, 347  
Edison 408  
EEI 400  
efficiencies 21  
elastic limits 178, 179, 317, 318  
electric furnaces 41  
electrolyte 408  
electromechanical performance  
    351  
electronic 432  
    load 42  
    metering 307, 308  
electron flow 433  
electron tubes 43  
electrostatic field 42  
electrostatic stresses 400  
elements 304  
elongation 318  
energy 304, 417  
Energy Policy Act of 2005 413  
environment 33, 146, 171, 229  
epoxy 343  
ethanol 419  
ethylene propylene rubber 270  
exciting 92  
    current 82  
expanding anchors 177  
expulsion 115, 117  
expulsion-type cutouts 404  
expulsion type 383, 387, 406
- F**  
fault currents 396, 397  
feathered 414  
feeders 5, 6, 7, 8, 22, 23, 24, 25, 27,  
    29, 31, 32, 45, 48, 51, 63, 68,  
    69, 71, 72, 74, 76, 77, 81, 90,  
    95, 99, 104, 107, 114, 120, 291,  
    292, 295, 297, 299, 301, 304,  
    322, 383, 398, 419, 433, 434  
feldspar 343  
fiber 387  
fiberglass 343, 345, 346, 349  
    insulation 351  
fiber strength 341  
fiber stresses 149, 159, 161, 164,  
    165, 257, 258  
field-poured 242  
    manhole 247, 250  
film disk cutout 133  
fins 402  
five-wire system 15  
flashover 347, 349, 358  
flexibility 315  
floors 238, 239, 247, 250, 252, 253,  
    266, 267  
    precast 253  
    unit 254  
fluorescent 419  
    lamps 37, 38  
    lighting 32, 433  
flywheels 419  
form factor 347, 349  
fossil fuel 413  
four-wire system 14, 15  
frame 238, 246, 250  
frequency 43, 98, 415, 436  
    meters 439  
fuel cells 436  
full-load 82  
fused 394  
    cutout 277, 379  
fuses 3, 4, 22, 25, 26, 29, 30, 46, 64,  
    100, 103, 104, 106, 109, 113,  
    126, 280, 382, 384, 394, 396,  
    399, 404  
    coordination 101

- cutout 382
  - cutouts 192, 393, 395
  - expulsion type 383
  - oil 385
  - three-shot 385
  - fusing 299
- G**
- gain 336
  - galloping lines 352
  - galvanized metal 341
  - galvanized steel 342
    - braces 340
  - galvanizing 316
  - gas turbines 436
  - gauge numbers 319, 320
  - gels 417
  - generation 448
  - generators 307, 415
  - geothermal 413, 436
  - glass 343, 355
  - grades 184
  - grade B 184
  - grade C 184
    - construction 212
  - grade N 184
  - grade of construction 188, 204, 206
  - gratings 253, 255
  - green fuels 413, 418
  - grid 26, 27, 29, 419
    - coordinate system of mapping 303
  - ground 11, 70, 81, 92, 97, 98, 115, 118, 120, 169, 170, 171, 172, 184, 185, 191, 229, 231, 268, 292, 295, 355, 375, 379, 386, 387, 394, 400
  - ground-line 212, 332, 333
    - moments 191, 203, 04, 212, 227
    - resisting moment 206, 216, 217
  - grounded 16, 69, 89, 106, 119, 381
  - grounding 10
    - switches 378
  - grounds 131, 186, 296, 336
  - ground clearance 188, 189
  - guy wire 169, 175, 177, 185, 203, 213
  - guyed 161, 192, 216, 217
  - guying 188, 212, 224, 333
    - requirements 213
  - guys 170, 171, 172, 173, 175, 176, 191, 203
    - anchor 193
    - sidewalk 192, 193
    - span 192, 193
- H**
- hard-drawn 315
    - copper 317
  - harmonics 98
  - head guy 171
  - heat exchanger 402
  - high-frequency 41, 43
    - heating 42
  - hooks 176
  - hot-line 325
  - hunting 434
  - hydro 413
  - hydrogen fuel cell 418
  - hydrophobic 349
- I**
- $I^2R$  82, 347, 444
    - losses 11, 16, 374
  - ice 147, 149, 158, 163, 164, 167,

- 172, 178, 180, 188, 335
  - ideal rate 442
  - IL 133
  - impedance 11, 13, 16, 18, 29, 56,  
71, 81, 82, 84, 85, 93, 98, 101,  
115, 118, 119, 120, 124, 302,  
381, 386, 393, 403
  - impulse 117
    - level 116
  - incandescent 37, 38
    - lamps 433
    - lighting 419
  - inductances 43
  - induction 39, 42, 75, 80, 93, 115
    - motors 40
    - regulator 389, 391
    - type 407
  - inductive reactance 330, 393
  - industrial 41
  - inertia, moment of 149
  - instantaneous maximum demand 44
  - Institute of Electrical and Elec-  
tronics Engineers (IEEE) 145
  - instruments 399
  - instrument transformers 294, 299,  
351, 439
  - insulated 321
    - bushings 380
  - insulating 340
    - coolant 373
    - value 320
  - insulation 92, 93, 97, 115, 116, 117,  
118, 231, 241, 268, 269, 270,  
321, 323, 325, 336, 344, 346,  
379, 381, 386, 387, 399, 400
    - coordination 116, 373
    - coordination (BIL) 97, 292
  - insulator pins 226
  - insulators 69, 73, 133, 146, 147,  
165, 167, 168, 169, 178, 296,  
298, 322, 326, 327, 340, 341,  
342, 343, 347, 349, 352, 358
    - pin-type 355
    - post-type 355
  - integrated demands 44
  - interrupting capacity 385
  - interrupting duty 96, 97
  - interrupting rating 384
  - inverters 415, 417
  - ions 273
  - iron 317, 340, 341, 381, 408
    - losses 402
  - iron or core loss 81
  - IR drop 14
  - IR resistance 374
  - IX reactance voltage drops 374
  - IZ impedance drops 374
- J**
- joints 378
  - joint construction 188
- K**
- Kelvin's Law 57
  - kilowatt-hours 56, 57, 82, 303, 442
    - meter 307
  - kilowatt demand meters 408
  - kilowatt loss 136
  - kilowatts 40, 56, 303
    - per microsecond 117
  - knob 169, 342, 358
  - kVA 53, 304, 378, 403
  - kVA-hours 305
  - kWh 304
- L**
- lagging 40

- laser 42
  - lead 321, 408
  - lead-acid type 408
  - leading 40
  - lead peroxide 386
  - lead sheaths 241, 322, 323
  - leakage current 347, 349
  - lengths 333
  - life expectancy 336
  - lighting 37, 40, 41, 47
    - equipment 409
  - lightning 115, 131, 190
    - stresses 349
      - surge arresters 70, 100, 115, 292, 351, 379, 386, 399
      - surges 116
  - limiters 106
  - line-drop compensators 75, 391
  - line disconnects 192
  - line tensions 352
  - line voltage 349
  - liquid-filled fuses 404
  - live-line 71, 325
    - clamps 326
    - operations 327
  - live loads 237, 242, 243, 246, 247, 250, 251, 252, 266
  - load-break elbow 278
  - load-break switches 107
  - loads 72
  - load cycling 446
  - load factor 44, 57, 306, 444
  - load management 445
    - control 447
  - load shedding 431, 432, 433, 444
  - locust 340, 341
  - long-leaf yellow pine 331
  - loop 9, 279, 280, 282, 290, 295
    - design 276
    - systems 22, 24, 280
  - losses 6, 7, 13, 14, 18, 21, 28, 46, 54, 56, 57, 63, 64, 72, 81, 85, 92, 93, 135, 291, 295, 304, 309, 393, 444, 448
    - factor 57
    - of diversity 447
  - low-voltage 27
    - network 29, 434, 435
    - secondary 378
  - lumens 131
- ## M
- magnesium 317
  - magnetic circuit 374
  - magnetic fields 42, 96, 98, 131, 296, 301, 304, 385, 390
  - magnetizing current 92
  - mains 63, 64, 72, 106, 241
  - manholes 32, 229, 230, 231, 232, 233, 234, 236, 237, 238, 246, 247, 250, 252, 253, 254, 268, 322, 375
    - precast 232
    - prefabricated 238
    - transformer 232
  - maximeters 302
  - maximum coincident demand 45
  - maximum coincident total demand 46
  - maximum demands 45, 46, 47, 49, 56, 305, 306, 309, 443, 446, 448
  - maximum diversified demand 45
  - medium-hard-drawn 315
  - mercury 38
  - mesh 296
  - messenger 167, 188, 342
  - metal 331

- metal-clad switch 404
  - gear 403
- metal halide 38
- metal poles 337, 338
- meter 21, 22, 307
- metering 403, 439
- meters 301, 302, 303
- meter reading 450
- microphones 310
- miniaturized systems 432
- mobile substations 299
- modular 403
- modulus of elasticity 181, 317, 343
- moisture content 336
- molecules 273
- moment coefficients 247
- moment of inertia 149, 159
- motor-generator 41
  - sets 40, 43
- motors 32, 39, 40, 50, 89, 294, 301, 304
- multiconductor 322
- multiple 38
- multiple-loop systems 279
- multiple circuits 130, 133
  
- N**
- nacelle 414
- National Electric Safety Code (NESC) 145
- natural gas 413
- negative-sequence component 127
- negative polarity 374
- NEMA 400
- neon lights 38
- NESC 185
- networks 7, 9, 27, 30, 33, 62, 74, 76, 85, 89, 106, 114, 232, 239, 242, 419
- network protectors 7, 30, 233, 242, 378, 434, 435
- neutral 10, 11, 12, 13, 14, 15, 16, 17, 20, 21, 32, 56, 57, 68, 69, 72, 81, 84, 89, 98, 164, 167, 188, 268, 269, 270, 322, 323, 342, 379, 380, 381, 433
  - axis 159
  - conductors 273, 296
  - zone 189
- nickel-alkaline type 408
- nickel oxide 408
- nitrogen 400
- no-load 82
- northern white cedar 331
  
- O**
- Ohm's law 119, 124
- ohms 11, 82, 83, 349
- oil 373, 378, 381, 385, 391, 399, 400, 402, 403, 413
- oil-filled 400
- oil-impregnated paper 321, 400
- oil switches 395, 396
- open-loop 24
- open-type cutout 384
- open-wire 184
- oscillators 42, 43
- oscillograms 108
- overcurrent 436
  - relays 109
- overhead 9, 33, 51, 73, 120, 229, 270, 313, 315, 320, 321, 323, 325, 331, 374, 375, 378, 381
- overhead-to-underground connection 326
- overhead distribution systems 167
- overhead sectionalizing point 277
- overhead single-phase 62

- overhead systems 145, 178, 268,  
276, 283
- overhead versus underground 32
- P**
- pad-mounted 376, 381
- pads 375, 389, 393
- paper 241
- parallel 38, 375, 380, 381
- partition 248
- peak demand 288, 307, 308
- peak suppression 443, 444
- pellet type 386
- petticoats 345, 349, 355, 400
- phases 295, 431, 442
- phase current 436
- phase shifters 76
- photocells 130, 310
- photovoltaic action 417
- photovoltaic cells 417
- photovoltaic panels 417
- pilot wires 25
- pin-type 168
- insulators 352
- pinhole 160
- pins 159, 163, 164, 165, 167, 168,  
169, 178, 339, 340, 355
- pitch 414
- plastic-insulated cables 326
- plastics 241, 268, 321, 322, 323,  
343, 344, 346, 373
- ducts 270
- tape 241, 326
- plates 176
- platforms 389, 393
- polarities 90
- polarity 42, 85, 374, 375
- poles 146, 147, 148, 150, 151, 153,  
156, 157, 158, 159, 161, 162,  
164, 165, 167, 169, 170, 171,  
172, 174, 175, 176, 181, 184,  
188, 189, 190, 191, 192, 193,  
203, 204, 213, 217, 224, 225,  
322, 323, 333, 336, 337, 339,  
342, 359, 364, 371, 375, 379,  
389, 393
- classes of 192, 204, 206, 212,  
216, 217
- concrete 226, 227, 337
- concrete and metal 337
- framing 335
- reinforced concrete 227
- steel and aluminum 226
- steps 338
- polyethylene (PE) 241, 269, 270,  
277, 321
- polymer 345, 347
- insulation 352
- petticoats 346, 351
- polyphase 10, 39, 49, 63, 68, 72, 93,  
303, 304, 374, 381, 398
- circuit 84, 157, 302, 439, 440
- generators 10
- systems 165, 299
- polyvinyl chloride (PVC) 241, 270,  
321
- porcelain 326, 343, 344, 345, 346,  
349, 351, 358, 373, 380, 382,  
400
- bushings 381, 385, 393
- insulators 349, 355
- vs. polymer 343
- portland cement 363
- positive-sequence impedance 127
- post-type 168, 169
- potassium hydroxide 408
- potential transformers 294, 403,  
409

- potentiometer 302  
potheads 326, 395  
pounds 202  
powdered boric acid 405  
power factor 20, 38, 39, 40, 41, 43,  
46, 49, 56, 77, 79, 84, 93, 98,  
104, 126, 136, 302, 303, 305,  
308, 393, 409, 432, 439, 440  
correction 442  
lighting 50  
power loss 12  
precast 239  
manhole 250  
reinforced concrete manholes  
242  
preservatives 332, 333, 336  
primaries 383  
primary 68, 72, 73, 81, 82, 83, 84,  
89, 90, 94, 105, 106, 114, 119,  
131, 134, 164, 169, 173, 185,  
190, 191, 233, 242, 271, 279,  
280, 291, 320, 322, 326, 339,  
342, 374, 375, 378, 379, 380,  
381, 382, 385, 389, 390, 391,  
400, 404, 434  
cable 232, 278, 283  
cable connections 282  
circuit 72, 74, 98, 168, 270,  
419  
conductor 217, 231, 290  
distribution 21, 22  
system 276  
feeder 64, 298, 373, 394, 397  
mains 241  
network 22  
systems 26  
system 27, 63, 276  
conductors 277  
propeller 414  
protective devices 100  
protective relaying 403  
protectors 114  
push braces 176, 333  
Pyrex 343
- R**  
racks 167, 169, 178, 322, 342, 393  
radial 9, 62, 120  
radial-type 73  
radial design 276  
radial distribution system 233  
radial feeder 51  
radial lateral 282  
radial primary 374  
radial systems 22, 26, 277  
radiation 42, 416  
radiators 402  
radio 42, 47  
rated capacity 46  
ratio of modulus of elasticity of  
steel 246  
rays 417  
re-closers 113  
reactance 11, 46, 75, 77, 80, 82, 83,  
84, 85, 126, 165, 268, 295, 302,  
323, 390  
reactive kilovolt-ampere hours 442  
reactive kVA 305  
reactive power 393, 439, 450  
reactive volt-ampere 408  
reactor 81, 394, 442  
recloser 65, 68,, 95, 100, 107, 108,  
109, 113, 119, 398  
reclosings 352  
rectified 415  
rectifiers 20, 43, 50  
redwood 331  
reflectors 131



- refractors 131
  - registers 304, 305
  - regulations 49, 64, 69, 74, 77, 80, 82, 85, 94, 98, 146, 291, 392, 394, 408
  - regulators 27, 74, 78, 80, 93, 95, 99, 115, 119, 157, 192, 292, 297, 301, 391, 434, 435
  - reinforced concrete 224, 297
    - prefabricated 232
  - reinforcement 255
  - reinforcing steel strands 337
  - relaying 299, 403, 436
  - relays 23, 25, 26, 75, 80, 99, 107, 108, 109, 111, 112, 114, 115, 130, 133, 292, 294, 302, 392, 397, 398, 399, 400, 403, 434, 435
  - reliability 49, 50, 51, 95, 268, 292, 294, 419
  - remote reading 307
  - repeater fuses 104, 107
  - replenishable fuels 413
  - residential 40, 42, 51
  - resistance 11, 13, 38, 40, 41, 56, 59, 75, 82, 83, 84, 101, 115, 126, 296, 301, 302, 325, 328, 336, 347, 386, 387
  - resisting moment 212
  - resistors 80, 394
  - reverse power 436
  - rights-of-way 158, 190
  - risers 225, 270, 279, 338, 379
  - riser pole 277, 278
  - rock anchors 177
  - roof 236, 238, 239, 247, 250, 253, 255, 261, 335
    - unit 254
  - rotor 389
  - round poles 360
  - rubber 241, 322, 349
  - rubber-insulated 323
  - rubber insulation 320
  - rural systems 62
- S**
- safety 9, 30, 53, 71, 130, 158, 185, 292, 336, 339, 380, 385, 423
    - factors of 184, 204, 206, 212, 213, 227, 317, 318
  - sag 172, 179, 180, 181, 182, 183, 188, 193, 202, 317, 318
  - sagging 216
  - sags 178
  - sand 405
  - second-contingency 30
  - secondary 69, 73, 76, 77, 81, 82, 83, 84, 89, 90, 94, 105, 106, 114, 130, 131, 134, 164, 167, 173, 185, 191, 233, 242, 320, 322, 374, 375, 379, 380, 381, 383, 389, 390, 434
    - cables 269
    - circuit 55, 62, 64
    - circuit breakers 271
    - conductors 169, 217, 323, 342
    - distribution 22, 27
  - secondary mains 7, 8, 27, 28, 29, 30, 31, 56, 57, 59, 167, 231, 232, 241, 284, 301, 322
  - secondary network 27, 30, 51, 81, 229, 419
  - secondary racks 166, 358
  - secondary system 54, 63, 283
  - sectionalize 435
  - sectionalized 113
  - sectionalizers 100, 106, 107, 113
  - sectionalizing 64, 71, 95, 104, 271

- fuse 5
  - points 280
- section modulus 149, 159, 160
- selector 391
  - switch 390
- selenium 408
- self-protected (CSP) transformer 106
- semiconductors 43
- series-parallel 393
  - circuits 408
- series 38, 39, 130, 374, 380, 386, 389
  - capacitors 394
  - circuits 131, 133
  - lamps 133
  - systems 13
- service 3, 8, 53, 167, 184, 185, 188, 284, 322, 342, 358
- service boxes 229, 231, 238
- service conductors 283, 323
- service drop 3
- service wires 342
- seven-wire system 20, 21
- shearing stress 258
- shear stress 246
- sheath 231, 241, 268, 270, 321, 378
- sheathing 321
- shed line 443
- shed load 434
- shell 374
- shell-type 374
  - cores 399
- short-circuit 62
  - currents 374
  - duty 393
- shunts 39, 302
- shut down 434
- sidewalk guys 171, 192
- side arms 162
- silica 343
- silicon 317, 417
- silicone 349
- silver 315, 317
- single-conductor cables 322
- single-phase 14, 22, 32, 39, 40, 41, 43, 49, 54, 63, 68, 69, 70, 72, 75, 85, 89, 93, 94, 98, 108, 120, 280, 302, 304, 374, 378, 380, 398, 399, 400, 403
  - ac systems 10
  - motors 419
  - primary 164
  - regulators 99
  - two-wire 16, 21
- single-spool racks 342
- site selection 291
- six-phase 22
  - systems 18
- sizes 318
- skin effect 42, 295, 328
- SL 133
- slab 257
  - gain 336
- small-capacity 89
- sodium vapor 38
- soft-drawn 315
- soil 177
- solar 436
  - constant 416
  - power 416, 417
  - radiation energy 417
- solenoids 294
- solid-filled fuses 405
- solid-state 43
- solid-type 318
- solid wire 320
- southern pine 331, 333

- southern yellow pine 339
- space heating 49
- span guy 192
- spark gap 115
- splices 232, 241, 270, 284, 325, 326
- splice box 283, 284
- spool 342
  - insulators 166
  - type 169
- square poles 360
- squirrel cage 39
- stability 333
- standards 400
- star or wye (Y) connection 18
- static wire 352
- stator 389
- steel 182, 183, 188, 224, 225, 313, 316, 331, 340, 341
- steel-reinforced (ACSR) 313
- steel pins 341
- steel reinforcement 369
- step-type (or TCUL) regulator 389, 390, 408
- steps 337
- storage batteries 294, 397, 399, 408, 415, 417, 419
- storm guy 172
- strain 356
- strain-ball type 169
- strain-type insulators 169
- stranded 315, 318, 320, 321
- stranded cable 383
- stranded conductors 324
- stranding 346
- stray currents 268, 273
- street lighting 322, 399
- strength 333
- stresses 159
- string 356
- strut 175, 213
- stub guy 171
- stub pole 192, 193
- substation 6, 7, 8, 21, 22, 23, 24, 27, 45, 48, 63, 64, 68, 69, 70, 71, 72, 74, 76, 77, 79, 94, 95, 97, 100, 107, 113, 115, 119, 133, 134, 135, 276, 280, 292, 294, 295, 297, 313, 374, 383, 397, 398, 399, 400, 404, 408, 432, 433, 435, 442
  - bus 304, 393, 433
  - transformers 6, 120, 301, 400, 402, 403
- subtractive polarity 374, 375, 400
- subtransmission 6, 26, 69, 95, 98, 433
- subway 376, 381
- sulfur 321
- sulfuric acid 408
- sulfur hexafluoride (SF<sub>6</sub>) 397, 400
- sunshine 413, 417
- surcharge load 244
- surge 115, 118, 168, 373
  - arresters 5, 6, 97, 100, 130, 131, 296, 351, 352, 379, 386, 393, 399, 406
  - current 387
  - lightning, switching 378
  - lightning arresters 406
  - protection 379
  - voltage stresses 349
- suspension 356
- suspension-type insulators 169
- swamp anchor 177
- switch 24, 270, 278, 279, 280, 282, 294, 435
- switchboards 297
- switches 25, 64, 73, 99, 131, 157,

- 233, 242, 271, 292, 393, 395,  
396, 432, 439
- switchgear 351, 404
- switching 115
  - surges 116
- symmetrical components 126
- symmetric current 124, 126
- synchronizing 436
- synchronous 39
  - converters 20
  - motors 40, 305
- T**
- tap-changing 75
- tap-changing-under-load (TCUL)  
389
- taps 69, 76, 94, 271, 280, 380, 381,  
390, 391
- TCUL 407
- television 42, 49
- temperature 93
  - coefficient of linear expansion 318
- tensile strength 346
- tensile stress 165
- tension 158, 162, 163, 164, 167,  
172, 173, 178, 179, 180, 181,  
183, 188, 191, 192, 193, 202,  
203, 204, 213, 217, 231, 255,  
256, 317, 345
- terminal block 270
- terminals 347
- tethers 415, 417
- thermal capability 49
- thermal capacity 46
- thermal stability 349
- thermocouples 310
- thermometers 439
- thimbles 176
- three-conductor cables 54
- three-phase 22, 40, 41, 43, 49, 62,  
63, 70, 72, 84, 89, 94, 98, 99,  
108, 280, 378, 380, 381, 399,  
400, 403, 419
  - circuits 32
  - delta 70
  - four-wire circuit 303
  - network unit 233
  - systems 15, 21, 54
  - three-wire circuit 303
  - units 75, 90
- three-wire circuit 12
- three-wire systems 11, 17, 18
- throat 231, 232
- ties 326
- time-current 108
  - characteristics 101, 404
  - relationship 384
- time switches 133
- tin-plated 322
- towers 352
- transducers 309, 310
- transfer switches 390
- transformer 3, 5, 6, 7, 8, 18, 19, 22,  
26, 27, 28, 29, 30, 31, 32, 40, 41,  
43, 45, 46, 54, 55, 56, 61, 62, 68,  
69, 70, 71, 72, 76, 81, 82, 83, 84,  
85, 89, 90, 93, 94, 95, 97, 98,  
99, 100, 101, 105, 106, 113, 114,  
115, 119, 127, 130, 131, 133,  
134, 135, 136, 157, 192, 226,  
229, 240, 242, 248, 252, 270,  
271, 273, 276, 277, 278, 279,  
282, 283, 285, 288, 291, 292,  
294, 296, 297, 298, 304, 321,  
351, 373, 374, 375, 376, 381,  
382, 385, 394, 395, 399, 403,  
415, 433, 434, 435

- boosting 380
- bucking 380
- connections 85
- conventional type 382
- fuses 68
- manholes 232, 238, 239, 253, 255
- potential 302
- size 59
- vaults 240
- transient 124
- transistors 43
- transmission 6, 7, 80, 95, 180, 225, 226, 291, 292, 294, 295, 309, 343, 432, 433, 436, 443, 448
  - lines 169
  - substations 373
- tree wire 320
- turn ratio 83
- TV 47
- two-phase 22, 32, 40, 49, 63, 90, 380
- two-phase four-wire system 15
- two-phase systems 13
- two-wire circuit 12
- U**
- ultimate fiber strength 161
- ultimate strength 176, 317, 318, 360
- ultraviolet light 417
- underground 9, 33, 51, 73, 229, 270, 276, 280, 313, 321, 323, 325, 375, 376, 378, 379
  - cable 434, 404
  - manholes 385
  - network 374
  - radial primary 278
  - residential distribution
    - (URD) 268, 376
    - residential system 271
    - systems 145, 268, 277
  - unity power factor 433
  - unit substations 298, 299
  - universal 39
  - URD-loop primary conductor 288
  - usage 307
  - utilization factor 46
- V**
- vacuum tubes 417
- valve 115, 117, 406
  - type 386
- varnished cambric 241, 321
- vault 229, 240, 242, 246, 248, 250, 252, 253, 254, 255, 375, 381, 385, 389, 393
  - ceilings 240
  - roofs 251
- vent 351, 384, 400
- vent-volume 240
- ventilation 239, 297
- venting of gases 408
- vent area 239
- volt-amperes 46, 53, 92, 93, 97, 302, 439
- volt-time 116
- voltage 69, 134, 374, 386
  - class 378
  - drop 6, 11, 12, 13, 14, 15, 16, 17, 18, 28, 46, 54, 56, 72, 73, 74, 75, 79, 81, 82, 84, 93, 119, 134, 135, 136, 165, 268, 276, 283, 295, 390, 393, 394, 433 (IZ) drops 15
  - reduction 433, 434
  - regulation 30, 41, 92
  - regulators 6, 99, 302, 351,

389, 399, 407, 433  
surges 296  
voltmeters 301, 302, 408, 439  
volts 301

**W**

wallaba 331, 333  
walls 237, 238, 239, 247, 250, 253,  
255, 359, 376  
water coolers 239  
water table 238  
watt-hour 56, 57  
meters 304, 305, 408, 439  
wattmeters 114, 301, 302, 303, 408,  
439  
watts 40, 46, 56, 82, 84, 93, 301  
wave form 415  
wave front 117  
weak link 3, 4  
weatherheads 326  
welders 41, 42  
western red cedar 331, 333

wheel load 244  
wind 413, 414, 415, 436  
loading 157  
moment 156  
power 417  
pressure 173  
wire 320, 313  
wood 331, 332, 337, 338, 340, 360  
pins 341  
poles 340  
wye-grounded 379  
wye 19, 20, 22, 32, 69, 70, 85, 89,  
98, 119, 303, 380, 381  
circuit 71, 68  
operation 71

**X**

x-rays 42

**Z**

zero-sequence component 127