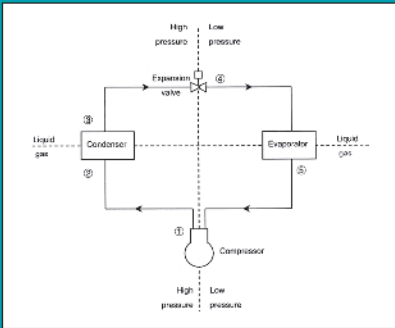


HVAC Water Chillers and Cooling Towers

Fundamentals, Application, and Operation



Herbert W. Stanford III

HVAC Water Chillers and Cooling Towers

**Fundamentals, Application,
and Operation**

Herbert W. Stanford III

Stanford White Associates Consulting Engineers, Inc.

Raleigh, North Carolina, U.S.A.



MARCEL DEKKER, INC.

NEW YORK • BASEL

Library of Congress Cataloging-in-Publication Data

A catalog record for this book is available from the Library of Congress

ISBN: 0-8247-0992-6

This book is printed on acid-free paper.

Headquarters

Marcel Dekker, Inc.
270 Madison Avenue, New York, NY 10016
tel: 212-696-9000; fax: 212-685-4540

Eastern Hemisphere Distribution

Marcel Dekker AG
Hutgasse 4, Postfach 812, CH-4001 Basel, Switzerland
tel: 41-61-260-6300; fax: 41-61-260-6333

World Wide Web

<http://www.dekker.com>

The publisher offers discounts on this book when ordered in bulk quantities. For more information, write to Special Sales/Professional Marketing at the headquarters address above.

Copyright © 2003 by Marcel Dekker, Inc. All Rights Reserved.

Neither this book nor any part may be reproduced or transmitted in any form or by any means, electronic or mechanical, including photocopying, microfilming, and recording, or by any information storage and retrieval system, without permission in writing from the publisher.

Current printing (last digit):
10 9 8 7 6 5 4 3 2 1

PRINTED IN THE UNITED STATES OF AMERICA

MECHANICAL ENGINEERING
A Series of Textbooks and Reference Books

Founding Editor

L. L. Faulkner

*Columbus Division Battelle Memorial Institute
and Department of Mechanical Engineering
The Ohio State University
Columbus Ohio*

- 1 *Spring Designer's Handbook*, Harold Carlson
- 2 *Computer-Aided Graphics and Design*, Daniel L. Ryan
- 3 *Lubrication Fundamentals*, J. George Wills
- 4 *Solar Engineering for Domestic Buildings*, William A. Himmelman
- 5 *Applied Engineering Mechanics Statics and Dynamics*, G. Boothroyd and C. Poli
- 6 *Centrifugal Pump Clinic*, Igor J. Karassik
- 7 *Computer-Aided Kinetics for Machine Design*, Daniel L. Ryan
- 8 *Plastics Products Design Handbook, Part A Materials and Components, Part B Processes and Design for Processes*, edited by Edward Miller
- 9 *Turbomachinery Basic Theory and Applications*, Earl Logan, Jr.
- 10 *Vibrations of Shells and Plates*, Werner Soedel
- 11 *Flat and Corrugated Diaphragm Design Handbook*, Mario Di Giovanni
- 12 *Practical Stress Analysis in Engineering Design*, Alexander Blake
- 13 *An Introduction to the Design and Behavior of Bolted Joints*, John H. Bickford
- 14 *Optimal Engineering Design Principles and Applications*, James N. Siddall
- 15 *Spring Manufacturing Handbook*, Harold Carlson
- 16 *Industrial Noise Control Fundamentals and Applications*, edited by Lewis H. Bell
- 17 *Gears and Their Vibration A Basic Approach to Understanding Gear Noise*, J. Derek Smith
- 18 *Chains for Power Transmission and Material Handling Design and Applications Handbook*, American Chain Association
- 19 *Corrosion and Corrosion Protection Handbook*, edited by Philip A. Schweitzer
- 20 *Gear Drive Systems Design and Application*, Peter Lynwander
- 21 *Controlling In-Plant Airborne Contaminants Systems Design and Calculations*, John D. Constance
- 22 *CAD/CAM Systems Planning and Implementation*, Charles S. Knox
- 23 *Probabilistic Engineering Design Principles and Applications*, James N. Siddall
- 24 *Traction Drives Selection and Application*, Frederick W. Heilich III and Eugene E. Shube
- 25 *Finite Element Methods An Introduction*, Ronald L. Huston and Chns E. Passerello

26. *Mechanical Fastening of Plastics: An Engineering Handbook*, Brayton Lincoln, Kenneth J. Gomes, and James F. Braden
27. *Lubrication in Practice: Second Edition*, edited by W. S. Robertson
28. *Principles of Automated Drafting*, Daniel L. Ryan
29. *Practical Seal Design*, edited by Leonard J. Martini
30. *Engineering Documentation for CAD/CAM Applications*, Charles S. Knox
31. *Design Dimensioning with Computer Graphics Applications*, Jerome C. Lange
32. *Mechanism Analysis: Simplified Graphical and Analytical Techniques*, Lyndon O. Barton
33. *CAD/CAM Systems: Justification, Implementation, Productivity Measurement*, Edward J. Preston, George W. Crawford, and Mark E. Coticchia
34. *Steam Plant Calculations Manual*, V. Ganapathy
35. *Design Assurance for Engineers and Managers*, John A. Burgess
36. *Heat Transfer Fluids and Systems for Process and Energy Applications*, Jasbir Singh
37. *Potential Flows: Computer Graphic Solutions*, Robert H. Kirchhoff
38. *Computer-Aided Graphics and Design: Second Edition*, Daniel L. Ryan
39. *Electronically Controlled Proportional Valves: Selection and Application*, Michael J. Tonyan, edited by Tobi Goldoftas
40. *Pressure Gauge Handbook*, AMETEK, U.S. Gauge Division, edited by Philip W. Harland
41. *Fabric Filtration for Combustion Sources: Fundamentals and Basic Technology*, R. P. Donovan
42. *Design of Mechanical Joints*, Alexander Blake
43. *CAD/CAM Dictionary*, Edward J. Preston, George W. Crawford, and Mark E. Coticchia
44. *Machinery Adhesives for Locking, Retaining, and Sealing*, Girard S. Haviland
45. *Couplings and Joints. Design, Selection, and Application*, Jon R. Mancuso
46. *Shaft Alignment Handbook*, John Piotrowski
47. *BASIC Programs for Steam Plant Engineers: Boilers, Combustion, Fluid Flow, and Heat Transfer*, V. Ganapathy
48. *Solving Mechanical Design Problems with Computer Graphics*, Jerome C. Lange
49. *Plastics Gearing: Selection and Application*, Clifford E. Adams
50. *Clutches and Brakes: Design and Selection*, William C. Orthwein
51. *Transducers in Mechanical and Electronic Design*, Harry L. Tritelley
52. *Metallurgical Applications of Shock-Wave and High-Strain-Rate Phenomena*, edited by Lawrence E. Murr, Karl P. Staudhammer, and Marc A. Meyers
53. *Magnesium Products Design*, Robert S. Busk
54. *How to Integrate CAD/CAM Systems. Management and Technology*, William D. Engelke
55. *Cam Design and Manufacture: Second Edition*; with cam design software for the IBM PC and compatibles, disk included, Preben W. Jensen
56. *Solid-State AC Motor Controls: Selection and Application*, Sylvester Campbell
57. *Fundamentals of Robotics*, David D. Ardayfio
58. *Belt Selection and Application for Engineers*, edited by Wallace D. Erickson
59. *Developing Three-Dimensional CAD Software with the IBM PC*, C. Stan Wei
60. *Organizing Data for CIM Applications*, Charles S. Knox, with contributions by Thomas C. Boos, Ross S. Culverhouse, and Paul F. Muchnicki

-
61. *Computer-Aided Simulation in Railway Dynamics*, by Rao V. Dukkipati and Joseph R. Amyot
 62. *Fiber-Reinforced Composites: Materials, Manufacturing, and Design*, P. K. Mallick
 63. *Photoelectric Sensors and Controls Selection and Application*, Scott M. Juds
 64. *Finite Element Analysis with Personal Computers*, Edward R. Champion, Jr., and J. Michael Ensminger
 65. *Ultrasonics: Fundamentals, Technology, Applications: Second Edition, Revised and Expanded*, Dale Ensminger
 66. *Applied Finite Element Modeling: Practical Problem Solving for Engineers*, Jeffrey M. Steele
 67. *Measurement and Instrumentation in Engineering. Principles and Basic Laboratory Experiments*, Francis S. Tse and Ivan E. Morse
 68. *Centrifugal Pump Clinic: Second Edition, Revised and Expanded*, Igor J Karassik
 69. *Practical Stress Analysis in Engineering Design: Second Edition, Revised and Expanded*, Alexander Blake
 70. *An Introduction to the Design and Behavior of Bolted Joints. Second Edition, Revised and Expanded*, John H. Bickford
 71. *High Vacuum Technology. A Practical Guide*, Marsbed H. Hablanian
 72. *Pressure Sensors. Selection and Application*, Duane Tandeske
 73. *Zinc Handbook: Properties, Processing, and Use in Design*, Frank Porter
 74. *Thermal Fatigue of Metals*, Andrzej Weronki and Tadeusz Hejwowski
 75. *Classical and Modern Mechanisms for Engineers and Inventors*, Preben W. Jensen
 76. *Handbook of Electronic Package Design*, edited by Michael Pecht
 77. *Shock-Wave and High-Strain-Rate Phenomena in Materials*, edited by Marc A. Meyers, Lawrence E. Murr, and Karl P. Staudhammer
 78. *Industrial Refrigeration: Principles, Design and Applications*, P. C. Koelet
 79. *Applied Combustion*, Eugene L. Keating
 80. *Engine Oils and Automotive Lubrication*, edited by Wilfried J. Bartz
 81. *Mechanism Analysis: Simplified and Graphical Techniques, Second Edition, Revised and Expanded*, Lyndon O. Barton
 82. *Fundamental Fluid Mechanics for the Practicing Engineer*, James W Murdock
 83. *Fiber-Reinforced Composites: Materials, Manufacturing, and Design, Second Edition, Revised and Expanded*, P. K. Mallick
 84. *Numerical Methods for Engineering Applications*, Edward R. Champion, Jr.
 85. *Turbomachinery. Basic Theory and Applications, Second Edition, Revised and Expanded*, Earl Logan, Jr.
 86. *Vibrations of Shells and Plates: Second Edition, Revised and Expanded*, Werner Soedel
 87. *Steam Plant Calculations Manual: Second Edition, Revised and Expanded*, V. Ganapathy
 88. *Industrial Noise Control: Fundamentals and Applications, Second Edition, Revised and Expanded*, Lewis H. Bell and Douglas H. Bell
 89. *Finite Elements: Their Design and Performance*, Richard H MacNeal
 90. *Mechanical Properties of Polymers and Composites: Second Edition, Revised and Expanded*, Lawrence E. Nielsen and Robert F. Landel
 91. *Mechanical Wear Prediction and Prevention*, Raymond G. Bayer

92. *Mechanical Power Transmission Components*, edited by David W. South and Jon R. Mancuso
93. *Handbook of Turbomachinery*, edited by Earl Logan, Jr.
94. *Engineering Documentation Control Practices and Procedures*, Ray E. Monahan
95. *Refractory Linings Thermomechanical Design and Applications*, Charles A. Schacht
96. *Geometric Dimensioning and Tolerancing: Applications and Techniques for Use in Design, Manufacturing, and Inspection*, James D. Meadows
97. *An Introduction to the Design and Behavior of Bolted Joints: Third Edition, Revised and Expanded*, John H. Bickford
98. *Shaft Alignment Handbook: Second Edition, Revised and Expanded*, John Piotrowski
99. *Computer-Aided Design of Polymer-Matrix Composite Structures*, edited by Suong Van Hoa
100. *Friction Science and Technology*, Peter J. Blau
101. *Introduction to Plastics and Composites: Mechanical Properties and Engineering Applications*, Edward Miller
102. *Practical Fracture Mechanics in Design*, Alexander Blake
103. *Pump Characteristics and Applications*, Michael W. Volk
104. *Optical Principles and Technology for Engineers*, James E. Stewart
105. *Optimizing the Shape of Mechanical Elements and Structures*, A. A. Seireg and Jorge Rodriguez
106. *Kinematics and Dynamics of Machinery*, Vladimir Stejskal and Michael Valášek
107. *Shaft Seals for Dynamic Applications*, Les Horve
108. *Reliability-Based Mechanical Design*, edited by Thomas A. Cruse
109. *Mechanical Fastening, Joining, and Assembly*, James A. Speck
110. *Turbomachinery Fluid Dynamics and Heat Transfer*, edited by Chunill Hah
111. *High-Vacuum Technology: A Practical Guide, Second Edition, Revised and Expanded*, Marsbed H. Hablanian
112. *Geometric Dimensioning and Tolerancing: Workbook and Answerbook*, James D. Meadows
113. *Handbook of Materials Selection for Engineering Applications*, edited by G. T. Murray
114. *Handbook of Thermoplastic Piping System Design*, Thomas Sixsmith and Reinhard Hanselka
115. *Practical Guide to Finite Elements: A Solid Mechanics Approach*, Steven M. Lepi
116. *Applied Computational Fluid Dynamics*, edited by Vijay K. Garg
117. *Fluid Sealing Technology*, Heinz K. Muller and Bernard S. Nau
118. *Friction and Lubrication in Mechanical Design*, A. A. Seireg
119. *Influence Functions and Matrices*, Yuri A. Melnikov
120. *Mechanical Analysis of Electronic Packaging Systems*, Stephen A. McKeown
121. *Couplings and Joints: Design, Selection, and Application, Second Edition, Revised and Expanded*, Jon R. Mancuso
122. *Thermodynamics: Processes and Applications*, Earl Logan, Jr.
123. *Gear Noise and Vibration*, J. Derek Smith
124. *Practical Fluid Mechanics for Engineering Applications*, John J. Bloomer
125. *Handbook of Hydraulic Fluid Technology*, edited by George E. Totten
126. *Heat Exchanger Design Handbook*, T. Kuppan

-
127. *Designing for Product Sound Quality*, Richard H. Lyon
 128. *Probability Applications in Mechanical Design*, Franklin E. Fisher and Joy R. Fisher
 129. *Nickel Alloys*, edited by Ulrich Heubner
 130. *Rotating Machinery Vibration: Problem Analysis and Troubleshooting*, Maurice L. Adams, Jr.
 131. *Formulas for Dynamic Analysis*, Ronald L. Huston and C. Q. Liu
 132. *Handbook of Machinery Dynamics*, Lynn L. Faulkner and Earl Logan, Jr.
 133. *Rapid Prototyping Technology: Selection and Application*, Kenneth G. Cooper
 134. *Reciprocating Machinery Dynamics Design and Analysis*, Abdulla S. Rangwala
 135. *Maintenance Excellence: Optimizing Equipment Life-Cycle Decisions*, edited by John D. Campbell and Andrew K. S. Jardine
 136. *Practical Guide to Industrial Boiler Systems*, Ralph L. Vandagriff
 137. *Lubrication Fundamentals: Second Edition, Revised and Expanded*, D. M. Pirro and A. A. Wessol
 138. *Mechanical Life Cycle Handbook: Good Environmental Design and Manufacturing*, edited by Mahendra S. Hundal
 139. *Micromachining of Engineering Materials*, edited by Joseph McGeough
 140. *Control Strategies for Dynamic Systems. Design and Implementation*, John H. Lumkes, Jr.
 141. *Practical Guide to Pressure Vessel Manufacturing*, Sunil Pullarcot
 142. *Nondestructive Evaluation: Theory, Techniques, and Applications*, edited by Peter J. Shull
 143. *Diesel Engine Engineering: Thermodynamics, Dynamics, Design, and Control*, Andrei Makartchouk
 144. *Handbook of Machine Tool Analysis*, Ioan D. Marinescu, Constantin Ispas, and Dan Boboc
 145. *Implementing Concurrent Engineering in Small Companies*, Susan Carlson Skalak
 146. *Practical Guide to the Packaging of Electronics: Thermal and Mechanical Design and Analysis*, Ali Jamnia
 147. *Bearing Design in Machinery: Engineering Tribology and Lubrication*, Avraham Harnoy
 148. *Mechanical Reliability Improvement Probability and Statistics for Experimental Testing*, R E Little
 149. *Industrial Boilers and Heat Recovery Steam Generators: Design, Applications, and Calculations*, V. Ganapathy
 150. *The CAD Guidebook. A Basic Manual for Understanding and Improving Computer-Aided Design*, Stephen J. Schoonmaker
 151. *Industrial Noise Control and Acoustics*, Randall F. Barron
 152. *Mechanical Properties of Engineered Materials*, Wolé Soboyejo
 153. *Reliability Verification, Testing, and Analysis in Engineering Design*, Gary S. Wasserman
 154. *Fundamental Mechanics of Fluids. Third Edition*, I. G. Currie
 155. *Intermediate Heat Transfer*, Kau-Fui Vincent Wong
 156. *HVAC Water Chillers and Cooling Towers: Fundamentals, Application, and Operation*, Herbert W. Stanford III

Additional Volumes in Preparation

Handbook of Turbomachinery: Second Edition, Revised and Expanded,
Earl Logan, Jr., and Ramendra Roy

Progressing Cavity Pumps, Downhole Pumps, and Mudmotors, Lev Nelik

Gear Noise and Vibration: Second Edition, Revised and Expanded, J.
Derek Smith

Piping and Pipeline Engineering: Design, Construction, Maintenance,
Integrity, and Repair, George A. Antaki

Turbomachinery: Design and Theory, Rama S. Gorla and Aijaz Ahmed
Khan

Mechanical Engineering Software

Spring Design with an IBM PC, Al Dietrich

Mechanical Design Failure Analysis. With Failure Analysis System Software
for the IBM PC, David G. Ullman

Preface

There are two fundamental types of HVAC systems designed to satisfy building cooling requirements: direct expansion (DX) systems, in which there is direct heat exchange between the building air and the refrigerant, and secondary refrigerant systems that utilize chilled water as an intermediate heat exchange medium to transfer heat from the building air to the refrigerant.

Chilled water systems are the heart of central HVAC cooling, providing cooling throughout a building or group of buildings from one source. Centralized cooling offers numerous operating, reliability, and efficiency advantages over individual DX systems and, on a life-cycle basis, can have significantly lower total cost.

Every central HVAC cooling system is made up of one or more refrigeration machines, or *water chillers*, designed to collect excess heat from buildings and reject that heat to the outdoor air. The water chiller may use the *vapor compression refrigeration cycle* or the *absorption refrigeration cycle*. Vapor compression refrigeration compressors may be of the *reciprocating*, *helical screw*, or *centrifugal* type with electric or gas-fired engine prime movers. The heat collected by the water chiller must be rejected to the atmosphere. This waste heat can be rejected by *air-cooling*, in a process that transfers heat directly from the refrigerant to the ambient air, or by *water-cooling*, a process that uses water to collect the heat from the refrigerant and then to reject that heat to

the atmosphere. Water-cooled systems offer advantages over air-cooled systems, including smaller physical size, longer life, and higher operating efficiency. The success of their operation depends, however, on the proper sizing, selection, application, operation, and maintenance of the *cooling tower*.

Thus, the goal of this book is to provide the HVAC designer, the building owner and his operating and maintenance staff, the architect, and the mechanical contractor with definitive and practical information and guidance relative to the application, design, purchase, operation, and maintenance of water chillers and cooling towers. The first half of the book discusses water chillers and the second half addresses cooling towers.

Each of these two topics is treated in separate sections, each of which is divided into three basic parts:

Fundamentals (Part I) presents the basic information about systems and equipment. How they work and their various components are described and discussed.

In Design and Application (Part II), equipment sizing, selection, and application are discussed. In addition, the details of piping, control, and water treatment are presented. Finally, special considerations such as noise control, electrical service, fire protection, and energy efficiency are examined.

Finally, Operations and Maintenance (Part III) takes water chillers and cooling towers from commissioning through routine maintenance. Chapters on purchasing equipment include guidelines and recommended specifications for procurement.

This is not an academic textbook, but a book designed to be useful on a day-to-day basis and provide answers about water chiller and cooling tower use, application, and problems. Extensive checklists, design and troubleshooting guidelines, and reference data are provided.

Herbert W. Stanford III

Contents

<i>Preface</i>	iii
WATER CHILLERS	
Part I Fundamentals	
1. Refrigeration Machines	1
2. Chiller Configurations	24
Part II Design and Application	
3. Chilled Water System Elements	45
4. Chiller Controls	62
5. Thermal Storage	71
6. Special Chiller Considerations	86
Part III Operation and Maintenance	
7. Chiller Operation and Maintenance	95
8. Buying a Chiller	109

COOLING TOWERS**Part IV Fundamentals**

- | | |
|-------------------------------|-----|
| 9. Cooling Tower Fundamentals | 115 |
| 10. Cooling Tower Components | 129 |

Part V Design and Application

- | | |
|---|-----|
| 11. Tower Configuration and Application | 147 |
| 12. Cooling Tower Controls | 179 |
| 13. Condenser Water Treatment | 191 |
| 14. Special Tower Considerations | 212 |

Part VI Operation and Maintenance

- | | |
|---|-----|
| 15. Cooling Tower Operation and Maintenance | 225 |
| 16. Buying a Cooling Tower | 238 |
| 17. In-Situ Tower Performance Testing | 247 |

Appendices

- | | |
|--|-----|
| Appendix A. Design Ambient Wet Bulb Temperatures | 254 |
| Appendix B. Draft Specifications | 257 |
| Appendix C. References and Resources | 284 |

- | | |
|--------------|-----|
| <i>Index</i> | 289 |
|--------------|-----|

1

Refrigeration Machines

1.1. REFRIGERATION BASICS

1.1.1. Vapor Compression Refrigeration Cycle

The term *refrigeration*, as part of a building HVAC system, generally refers to a *vapor compression system* wherein a chemical substance alternately changes from liquid to gas (*evaporating*, thereby absorbing heat and providing a cooling effect) and from gas to liquid (*condensing*, thereby releasing heat). This “cycle” actually consists of four steps:

1. *Compression*: Low-pressure refrigerant gas is compressed, thus raising its pressure by expending mechanical energy. There is a corresponding increase in temperature along with the increased pressure.
2. *Condensation*: The high-pressure, high-temperature gas is cooled by outdoor air or water that serves as a “heat sink” and condenses to a liquid form at high pressure.
3. *Expansion*: The high-pressure liquid flows through an orifice in the expansion valve, thus reducing the pressure. A small portion of the liquid “flashes” to gas due to the pressure reduction.
4. *Evaporation*: The low-pressure liquid absorbs heat from indoor air or water and evaporates to a gas or vapor form. The low-pressure vapor flows to the compressor and the process repeats.

As shown in Figure 1.1, the vapor compression refrigeration system consists of four components that perform the four steps of the refrigeration cycle. The *compressor* raises the pressure of the initially low-pressure refrigerant gas. The *condenser* is a heat exchanger that cools the high-pressure gas so that it changes phase to liquid. The *expansion valve* controls the pressure ratio, and thus flow rate, between the high- and low-pressure regions of the system. The *evaporator* is a heat exchanger that heats the low-pressure liquid, causing it to change phase from liquid to vapor (gas).

Thermodynamically, the most common representation of the basic refrigeration cycle is made utilizing a *pressure–enthalpy chart* as shown in Figure 1.2. For each refrigerant, the phase-change line represents the conditions of pressure and total heat content (enthalpy) at which it changes from liquid to gas and vice versa. Thus each of the steps of the vapor compression cycle can easily be plotted to demonstrate the actual thermodynamic processes at work, as shown in Figure 1.3.

Point 1 represents the conditions *entering* the compressor. Compression of the gas raises its pressure from P_1 to P_2 . Thus the “work” that is done by the compressor adds heat to the refrigerant, raising its temperature and slightly increasing its heat content. Point 2 represents the condition of the refrigerant

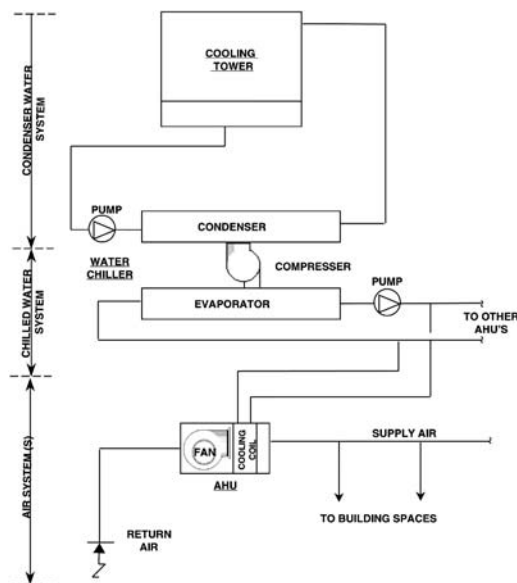


FIGURE 1.1. Basic components of the vapor compression refrigeration system.

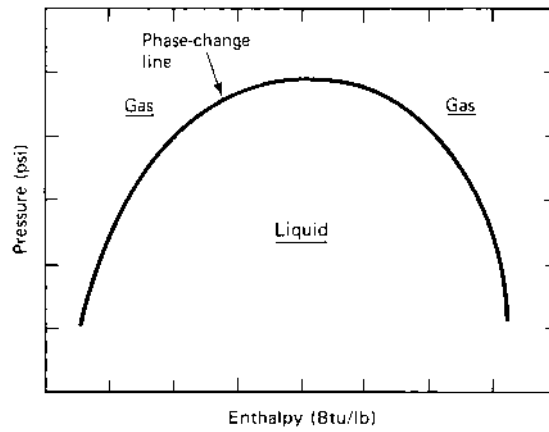


FIGURE 1.2. Basic refrigerant pressure–enthalpy relationship.

leaving the compressor and entering the condenser. In the condenser, the gas is cooled, reducing its enthalpy from h_2 to h_3 .

Point 3 to point 4 represents the pressure reduction that occurs in the expansion process. Due to a small percentage of the liquid evaporating because of the pressure reduction, the temperature and enthalpy of the remaining liquid is also reduced slightly. Point 4, then, represents the condition entering the evaporator. Point 4 to point 1 represents the heat gain by the liquid, increasing its enthalpy from h_4 to h_1 , completed by the phase change from liquid to gas at point 1.

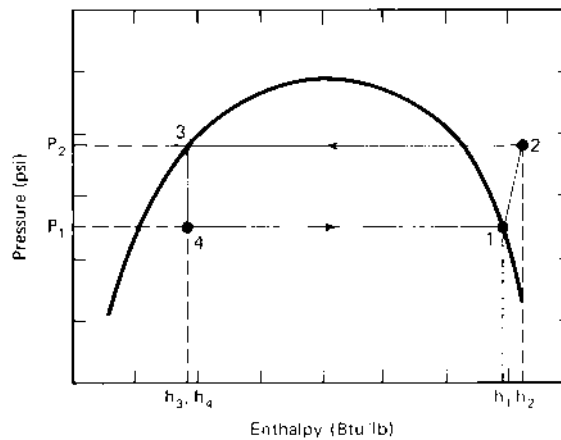


FIGURE 1.3. Ideal refrigeration cycle imposed over pressure–enthalpy chart.

For any refrigerant whose properties are known, a pressure-enthalpy chart can be constructed and the performance of a vapor compression cycle analyzed by establishing the high and low pressures for the system. (Note that Figure 1.3 represents an “ideal” cycle and in actual practice there are various departures dictated by second-law inefficiencies.)

1.1.2. Refrigerants

Any substance that absorbs heat may be termed a *refrigerant*. Secondary refrigerants, such as water or brine, absorb heat but do not undergo a phase change in the process. Primary refrigerants, then, are those substances that possess the chemical, physical, and thermodynamic properties that permit their efficient use in the typical vapor compression cycle.

In the vapor compression cycle, a refrigerant must satisfy several (and sometimes conflicting) requirements:

1. The refrigerant must be chemically stable in both the liquid and vapor state.
2. Refrigerants for HVAC applications must be nonflammable and have low toxicity.
3. Finally, the thermodynamic properties of the refrigerant must meet the temperature and pressure ranges required for the application.

Early refrigerants, developed in the 1920s and 1930s, used in HVAC applications were predominately chemical compounds made up of *chlorofluorocarbons* (CFCs) such as R-11, R-12, and R-503. While stable and efficient in the range of temperatures and pressures required for HVAC use, any escaped refrigerant gas was found to be long-lived in the atmosphere. In the lower atmosphere, the CFC molecules absorb infrared radiation and, thus, contribute to atmospheric warming. Once in the upper atmosphere, the CFC molecule breaks down to release chlorine that destroys ozone and, consequently, damages the atmospheric ozone layer that protects the earth from excess UV radiation.

The manufacture of CFC refrigerants in the United States and most other industrialized nations was eliminated by international agreement in 1996. While there is still refrigeration equipment in use utilizing CFC refrigerants, no new equipment using these refrigerants is now available in the United States.

Researchers found that by modifying the chemical compound of CFCs by substituting a hydrogen atom for one or more of the chlorine or fluorine atoms resulted in a significant reduction in the life of the molecule and, thus, reduced the negative environmental impact it may have. These new compounds, called *hydrochlorofluorocarbons* (HCFCs), are currently used in HVAC refrigeration systems as R-22 and R-123.

While HCFCs have reduced the potential environmental damage by refrigerants released into the atmosphere, the potential for damage has not been

totally eliminated. Again, under international agreement, this class of refrigerants is slated for phaseout for new equipment installations by 2010–2020, with total halt to manufacturing and importing mandated by 2030, as summarized in Table 1.1.

A third class of refrigerants, called *hydrofluorocarbons* (HFCs), are not regulated by international treaty and are considered, at least for the interim, to be the most environmentally benign compounds and are now widely used in HVAC refrigeration systems.

HVAC refrigeration equipment is currently undergoing transition in the use of refrigerants. R-22 has been the workhorse for positive displacement compressor systems in HVAC applications. The leading replacements for R-22 in new equipment are R-410A and, to a lesser extent, R-407C, both of which are blends of HFC compounds.

R-134A, an HFC refrigerant, is utilized in *positive-pressure* compressor systems. At least one manufacturer continues to offer *negative-pressure* centrifugal compressor water chillers using R-123 (an HCFC), but it is anticipated that, by 2010, the manufacture of new negative pressure chillers using HCFCs will be terminated. These same manufacturers already market a positive-pressure centrifugal compressor systems using R-134A (though one manufacturer currently limits sales to outside of the United States since many countries, particularly in Europe, have accelerated the phaseout of HCFCs).

TABLE 1.1. Implementation of HCFC Refrigerant Phaseout in the United States

Year to be implemented	Clean air act regulations
2010	No production and no importing of HCFC R-22 except for use in equipment manufactured prior to January 1, 2010. (Consequently, there will be no production or importing of new refrigeration equipment using R-22. Existing equipment must depend on stockpiles or recycling for refrigerant supplies)
2015	No production and no importing of any HCFC refrigerants except for use in equipment manufactured before January 1, 2020
2020	No production or importing of HCFC R-22. (Since this is the cutoff date for new equipment using HCFC refrigerants other than R-22, this should end the installation of new chillers using R-123)
2030	No production or importing of any HCFC refrigerant. (While it is anticipated that the vast majority of packaged equipment using R-22 will have been replaced by this date, there will still be a significant number of water chillers using R-123 still in operation. These chillers must depend on stockpiles or recycling for refrigerant supplies)

Based on the average 20–25 year life for a water chiller (see Chap. 8) and the HCFC refrigerant phaseout schedule summarized in Table 1.1, owners should avoid purchasing any new chiller using R-22. After 2005, owners should avoid purchasing new chillers using R-123.

ASHRAE Standard 34-1989 classifies refrigerants according to their toxicity (A = nontoxic and B = evidence of toxicity identified) and flammability (1 = no flame propagation, 2 = low flammability, and 3 = high flammability). Thus, all refrigerants fall within one of the six “safety groups,” A1, A2, A3, B1, B2, or B3. *For HVAC refrigeration systems, only A1 refrigerants should be considered.* Table 1.2 lists the safety group classifications for refrigerants commonly used in HVAC applications.

1.2. CHILLED WATER FOR HVAC APPLICATIONS

The basic vapor compression cycle, when applied directly to the job of building cooling, is referred to as a *direct-expansion (DX)* refrigeration system. This reference comes from the fact that the building indoor air that is to be cooled passes “directly” over the refrigerant evaporator without a secondary refrigerant being utilized. While these cooling systems are widely used in residential, commercial, and industrial applications, they have application, capacity, and performance limitations that reduce their use in larger, more complex HVAC applications. For these applications, the use of chilled water systems is dictated. Typical applications for chilled water systems include large buildings (offices, laboratories, etc.) or multibuilding campuses where it is desirable to provide cooling from a central facility.

As shown in Figure 1.4, the typical water-cooled HVAC system has three heat transfer loops:

Loop 1 Cold air is distributed by one or more air-handling units to the spaces within the building. Sensible heat gains, including heat from

TABLE 1.2. HVAC Refrigerant Safety Groups

Refrigerant	Type	Safety group
R-22	HCFC	A1
R-123	HCFC	B1
R-134A	HFC	A1
R-407C	HFC Blend	A1
R-410A	HFC Blend	A1
R-717	Ammonia	B2
R-718	Water	A1

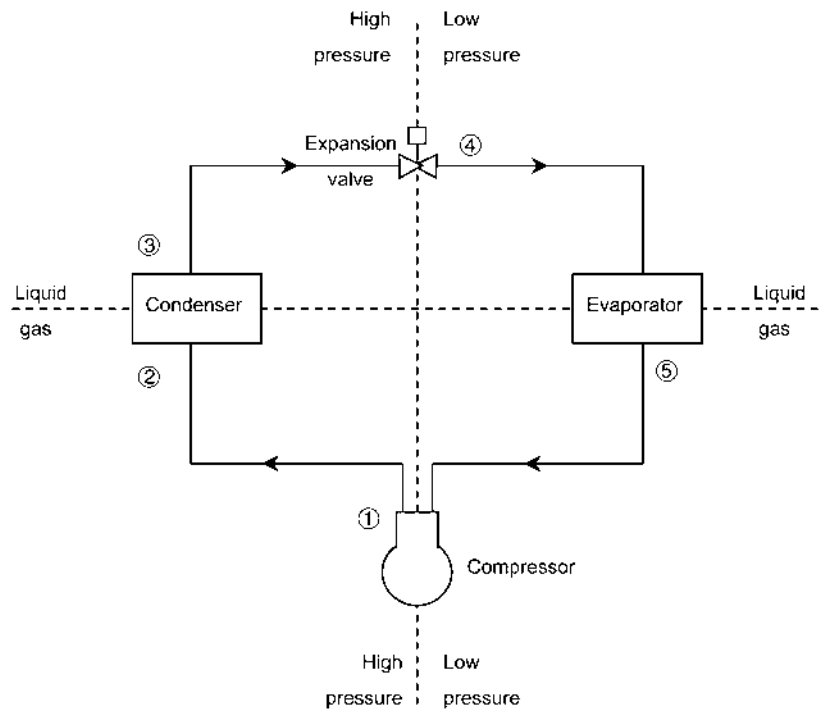


FIGURE 1.4. Water-cooled HVAC system schematic.

temperature-driven transmission through the building envelope; direct solar radiation through windows; infiltration; and internal heat from people, lights, and equipment, are “absorbed” by the cold air, raising its temperature. Latent heat gains, moisture added to the space by air infiltration, people, and equipment, is also absorbed by the cold air, raising its specific humidity. *The resulting space temperature and humidity condition is an exact balance between the sensible and latent heat gains and capability of the entering cold air to absorb those heat gains.*

Loop 2 The distributed air is returned to the air handling unit, mixed with the required quantity of outdoor air for ventilation, and then directed over the cooling coil where chilled water is used to extract heat from the air, reducing both its temperature and moisture content so it can be distributed once again to the space.

As the chilled water passes through the cooling coil in counter flow to the air, the heat extraction process results in increased water temperature. The chilled water temperature leaving the cooling coil (chilled water return) will be 8–16°F warmer than the entering water temperature

(chilled water supply) at design load. This temperature difference (*range*) establishes the flow requirement via the relationship shown in Eq. 1.1.

$$F_{\text{chw}} = Q / (500 \times \text{Range}) \quad (1.1)$$

where F_{chw} = chilled water flow rate (gpm), Q = total cooling system load (Btu/hr), Range = chilled water temperature rise ($^{\circ}\text{F}$), 500 = conversion factor (Btu min/gal $^{\circ}\text{F}$ hr) ($1 \text{ Btu/lb}^{\circ}\text{F} \times 8.34 \text{ lb/gal} \times 60 \text{ min/hr}$).

The warmer return chilled water enters the water chiller where it is cooled to the desired chilled water supply temperature by transferring the heat extracted from the building spaces to a primary refrigerant. This process, obviously, is not “free” since the compressor must do work on the refrigerant for cooling to occur and, thus, must consume energy in the process. Since most chillers are *refrigerant-cooled*, the compressor energy, in the form of heat, is added to the building heat and both must be rejected through the condenser.

Loop 3 The amount of heat that is added by the compressor depends on the efficiency of the compressor. This *heat of compression* must then be added to the heat load on the chilled water loop to establish the amount of heat that must be rejected by the condenser to a *heat sink*, typically the outdoor air.

1.2.1. Determining Chilled Water Supply Temperature

The first step in evaluating a chilled water system is to determine the required chilled water supply temperature.

For any HVAC system to provide simultaneous control of space temperature and humidity, the supply air temperature must be low enough to simultaneously satisfy both the sensible and latent cooling loads imposed. *Sensible cooling* is the term used to describe the process of decreasing the temperature of air without changing the moisture content of the air. However, if moisture is added to the room by the occupants, infiltrated outdoor air, internal processes, etc., the supply air must be cooled below its dew point to remove this excess moisture by condensation. The amount of heat removed with the change in moisture content is called *latent cooling*. The sum of the two represents the *total cooling* load imposed by a building space on the chilled water cooling coil.

The required temperature of the supply air is dictated by two factors:

1. The desired space temperature and humidity setpoint and
2. The *sensible heat ratio* (SHR) defined by dividing the sensible cooling load by the total cooling load.

On a psychrometric chart, the desired space conditions represents one end point of a line connecting the cooling coil supply air conditions and the space conditions. The slope of this line is defined by the SHR. An SHR of 1.0 indicates that the line has no slope since there is no latent cooling. The typical SHR in comfort HVAC applications will range from about 0.85 in spaces with a large number of people to approximately 0.95 for the typical office.

The intersection between this “room” line and the saturation line on the psychrometric chart represents the required *apparatus dewpoint (ADP) temperature* for the cooling coil. However, since no cooling coil is 100% efficient, the air leaving the coil will not be at a saturated condition, but will have a temperature about 1–2°F above the ADP temperature.

While coil efficiencies as high as 98% can be obtained, the economical approach is to select a coil for about 95% efficiency, which typically results in the supply air wet bulb temperature being about 1°F lower than the supply air dry bulb temperature.

Based on these typical coil conditions, the required supply air temperature can be determined by plotting the room conditions point and a line having a slope equal to the SHR passing through the room point, determining the ADP temperature intersection point, and then selecting a supply air condition on this line based on a 95% coil efficiency. Table 1.3 summarizes the results of this analysis for several different typical HVAC room design conditions and SHRs.

For a chilled water cooling coil, *approach* is defined as the temperature difference between the entering chilled water and the leaving (supply) air. While this approach can range as low as 3°F to as high as 10°F, the typical value for HVAC applications is approximately 7°F. Therefore, to define the required chilled water supply temperature, it is only necessary to subtract 7°F from the supply air dry bulb temperature determined from Table 1.3.

TABLE 1.3. Typical Supply Air Temperature Required to Maintain Desired Space Temperature and Humidity Conditions

Space conditions		Supply air DB/WB temperature required	
		0.90+ SHR	0.80–0.89 SHR
Temperature	Relative humidity		
75	50%	54/53	52/51
70	50%	50/49	44/43
65	50%	44/43	41/40

1.2.2. Establishing the Temperature Range

Once the required chilled water supply temperature is determined, the desired temperature range must be established.

From Eq. 1.1, the required chilled water flow rate is dictated by the imposed cooling load and the selected temperature range. The larger the range, the lower the flow rate and, thus, the less energy consumed for transport of chilled water through the system. However, if the range is too large, chilled water coils and other heat exchangers in the system require increased heat transfer surface and, in some cases, the ability to satisfy latent cooling loads is reduced.

Historically, a 10°F range has been used for chilled water systems, resulting in a required flow rate of 2.4 gpm/ton of imposed cooling load. For smaller systems with relatively short piping runs, this range and flow rate are acceptable. However, as systems get larger and piping runs get longer, the use of higher ranges will reduce pumping energy requirements. Also, lower flow rates can also result in economies in piping installation costs since smaller sized piping may be used.

At a 12°F range, the flow rate is reduced to 2.0 gpm/ton and, at a 14°F range, to 1.7 gpm/ton. For very large campus systems, a range as great as 16°F (1.5 gpm/ton) to 20°F (1.2 gpm/ton) may be used.

1.3. VAPOR COMPRESSION CYCLE CHILLERS

As introduced in Section 1.1, a secondary refrigerant is a substance that does not change phase as it absorbs heat. The most common secondary refrigerant is water and *chilled water* is used extensively in larger commercial, institutional, and industrial facilities to make cooling available over a large area without introducing a plethora of individual compressor systems. Chilled water has the advantage that fully modulating control can be applied and, thus, closer temperature tolerances can be maintained under almost any load condition.

For very low temperature applications, such as ice rinks, an antifreeze component, most often ethylene or propylene glycol, is mixed with the water and the term *brine* (left over from the days when salt was used as antifreeze) is used to describe the secondary refrigerant.

In the HVAC industry, the refrigeration machine that produces chilled water is generally referred to as a *chiller* and consists of the compressor(s), evaporator, and condenser, all packaged as a single unit. The condensing medium may be water or outdoor air.

The evaporator, called the *cooler*, consists of a shell-and-tube heat exchanger with refrigerant in the shell and water in the tubes. Coolers are designed for 3–11 fps water velocities when the chilled water flow rate is selected for a 10–20°F range.

For air-cooled chillers, the condenser consists of an air-to-refrigerant heat exchanger and fans to provide the proper flow rate of outdoor air to transfer the heat rejected by the refrigerant.

For water-cooled chillers, the condenser is a second shell-and-tube heat exchanger with refrigerant in the shell and condenser water in the tubes. Condenser water is typically supplied at 70–85°F and the flow rate is selected for a 10–15°F range. A cooling tower is typically utilized to provide condenser water cooling, but other cool water sources such as wells, ponds, and so on, can be used.

1.3.1. Positive Displacement Compressors

Water chillers up to about 100 tons capacity typically utilize one or more positive displacement type *reciprocating compressors*.

The reciprocating compressor uses pistons in cylinders to compress the refrigerant gas. Basically, it works much like a 2-cycle engine except that the compressor consumes shaft energy rather than producing it. Refrigerant gas enters the cylinder through an intake valve on the downward stroke of the piston. The intake valve closes as the piston starts its upward compression stroke, and when the pressure is high enough to overcome the spring resistance, the discharge valve opens and the gas leaves the cylinder. The discharge valve closes as the piston reaches top-dead-center and the cycle repeats itself as the piston starts down with another intake stroke. The pistons are connected to an offset lobed crankshaft via connecting rods. The compressor motor rotates the crankshaft, and this rotational motion is transformed to a reciprocating motion for the pistons.

Control of the reciprocating compressor refrigeration system is fairly simple. At the compressor, a *head-pressure controller* senses the compressor discharge pressure and opens the unloaders on the compressor if this pressure rises above the setpoint. The unloader is a simple valve that relieves refrigerant gas from the high-pressure discharge side of the compressor into the low-pressure suction side, thus effectively raising the inlet pressure and reducing the net pressure difference that is required of the compressor. The high-pressure setpoint is based on the condensing requirements and is normally a pressure corresponding to approximately 105°F for the refrigerant, (R-22 or R-410A).

A temperature sensor located on the suction line leaving the evaporator modulates the expansion valve to maintain the setpoint. Thus, as the load on the evaporator changes, the flow rate through the expansion valve is changed correspondingly. The expansion valve sensor will detect an increased temperature (i.e., superheat) if the flow rate is too low and a decreased temperature (i.e., subcooling) if the flow rate is too high. This temperature setpoint is typically 40°F for comfort applications.

Reciprocating water chillers larger than about 20 tons capacity are almost always multiple-compressor units. In the selection of a multiple compressor

chiller, it is important that the compressors have independent refrigerant circuits so that in the event of one compressor failing, the remaining one(s) can continue to operate. Some lower-cost units will have all the compressors operating in parallel on one refrigerant circuit.

1.3.2. Rotary Compressors

For larger capacities (100 tons to over 10,000 tons), rotary compressor water chillers are utilized. There are two types of rotary compressors applied: positive displacement rotary screw compressors and centrifugal compressors.

Figure 1.6 illustrates the rotary *helical screw compressor* operation. Screw compressors utilize double mating helically grooved rotors with “male” lobes and “female” flutes or gullies within a stationary housing. Compression is obtained by direct volume reduction with pure rotary motion. As the rotors begin to unmesh, a void is created on both the male and the female sides, allowing refrigerant gas to flow into the compressor. Further rotation starts the meshing of another male lobe with a female flute, reducing the occupied volume, and compressing the trapped gas. At a point determined by the design volume ratio, the discharge port is uncovered and the gas is released to the condenser.

Capacity control of screw compressors is typically accomplished by opening and closing a slide valve on the compressor suction to throttle the flow rate of refrigerant gas into the compressor. Speed control can also be used to control capacity.

The design of a *centrifugal compressor* for refrigeration duty originated with Dr. Willis Carrier just after World War I. The centrifugal compressor raises the pressure of the gas by increasing its kinetic energy. The kinetic energy is converted to static pressure when the refrigerant gas leaves the compressor and expands into the condenser. Figure 1.5 illustrates a typical centrifugal water chiller configuration. The compressor and motor are sealed within a single casing and refrigerant gas is utilized to cool the motor windings during operation. Low-pressure gas flows from the cooler to the compressor. The gas flow rate is controlled by a set of *preswirl inlet vanes* that regulate the refrigerant gas flow rate to the compressor in response to the cooling load imposed on the chiller.

Normally, the output of the chiller is fully variable within the range 15–100% of full-load capacity. The high-pressure gas is released into the condenser, where water absorbs the heat and the gas changes phase to liquid. The liquid, in turn, flows into the cooler, where it is evaporated, cooling the chilled water.

Centrifugal compressor chillers using R-134A or R-22 are defined as positive-pressure machines, while those using R-123 are negative-pressure machines, based on the evaporator pressure condition. At standard ARI rating conditions and using R-134A, the evaporator pressure is 36.6 psig and the

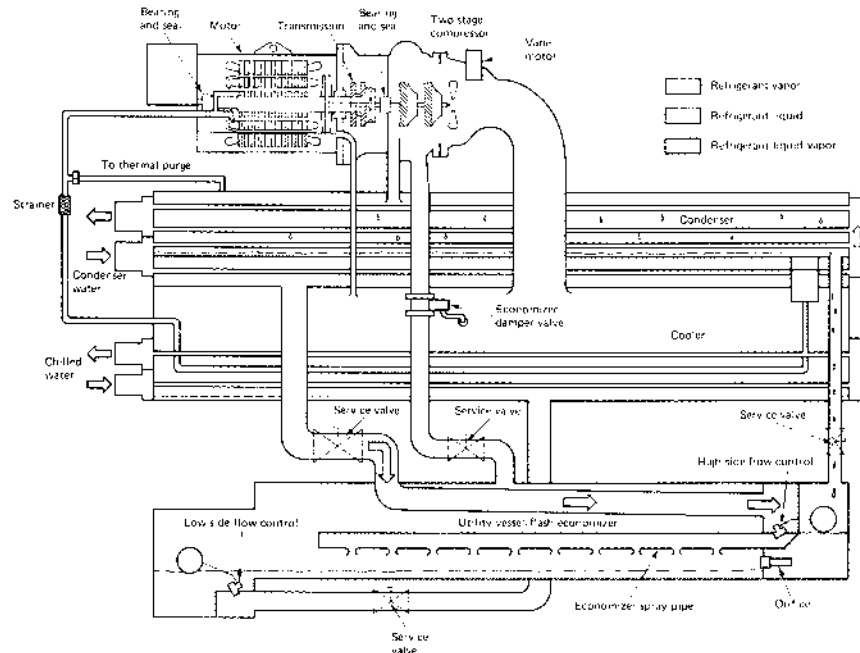


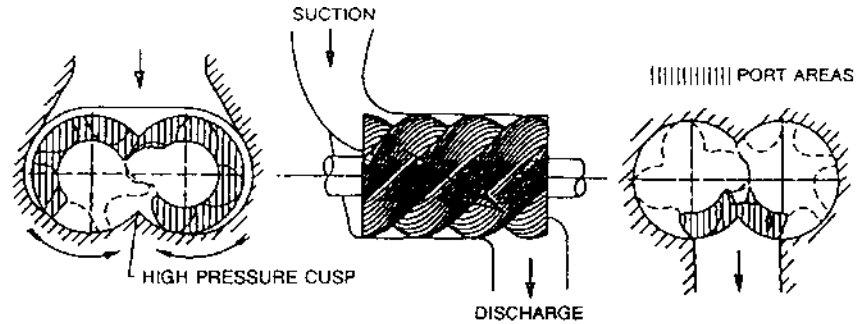
FIGURE 1.5. Cutaway of typical centrifugal water chiller.

condenser pressure is 118.3 psig, yielding a total pressure increase or *lift* provided by the compressor of 81.7 psig. However, for R-123, these pressure conditions are -5.81 psig in the evaporator and 6.10 psig in the condenser, yielding a total lift of 11.91 psig.

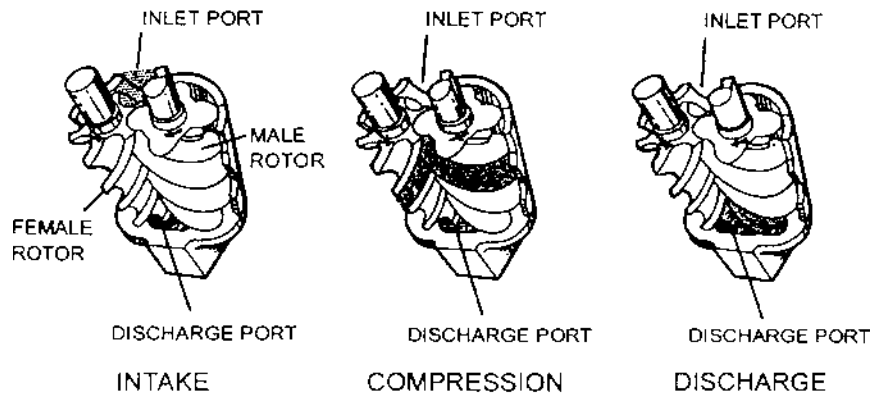
Mass flow rates for both refrigerants are essentially the same at approximately 3 lb/min ton. However, due to the significantly higher density of R-134A, its volumetric flow rate (cfm/ton), which defines impeller size, is over five times smaller than R-123 volumetric flow rate.

Compressors using R-123 typically use large diameter impellers (approximately 40 in. diameter) and direct-coupled motors that (at 60 Hz) turn at 3600 rpm. Compressors using R-134A typically use much smaller impellers (about 5 in. diameter) that are coupled to the motor through a gearbox or *speed increaser* and can operate at speeds approaching 30,000 rpm.

The large wheel diameters required by R-123 puts a design constraint on the compressor and, to reduce the diameter, they typically utilize two or three impellers in series or *stages* to produce an equivalent pressure increase.



Twin-Screw Compressor



Compression Process

FIGURE 1.6. Rotary screw compressor operation. (Courtesy of the American Society of Heating, Refrigerating, and Air-Conditioning Engineer's, Inc., Atlanta, Georgia.)

In practice, the flow paths from the outlet of one stage to the inlet of the next introduce pressure losses that reduce efficiency to some degree.

Since the evaporator in positive-pressure chillers is maintained at a pressure well above atmospheric, any leaks in the refrigeration system will result in a loss of refrigerant and the effect of any leaks is quickly evidenced by low refrigerant levels in the chiller. However, any leaks associated with a negative-pressure machine result in the introduction of atmospheric air (consisting of *noncondensable gases* and water vapor) into the chiller.

Noncondensable gases create two problems:

1. The compressor does work when compressing the noncondensable gases, but they offer no refrigerating effect.
2. Noncondensable gases can “blanket” evaporator and condenser tubes, lowering heat exchanger effectiveness.

Noncondensable gases can lower the efficiency of the chiller by as much as 14% at full load.

Moisture introduced with atmospheric air is a contaminant that can allow the formation of acids within the chiller that can cause serious damage to motor windings (of hermetic motors) and bearings.

To remove potential noncondensable gases and moisture from negative-pressure chillers, these chillers are furnished with *purge units*. While purge units are very efficient at separating and venting noncondensable gases and moisture from the refrigerant, they are not 100% efficient and some refrigerant is vented to the atmosphere each time the purge unit operates. Additionally, to reduce the potential for leaks when chillers are off, the evaporator should be provided with an external heater to raise the refrigerant pressure to above atmospheric.

The energy requirement for a rotary compressor chiller at peak load is a function of (1) the required leaving chilled water temperature, and (2) the temperature of the available condenser water. As the leaving chilled water temperature is reduced, the energy requirement to the compressor increases, as summarized in Table 1.4. Similarly, as the condenser water temperature increases, the compressor requires more energy (see Chap. 10). Thus, the designer can minimize the cooling energy input by utilizing a rotary compressor chiller selected to operate with the highest possible leaving chilled water temperature and the lowest possible condenser water temperature.

1.3.3. Electric-Drive Chillers

Chiller efficiency is typically defined in terms of its *coefficient of performance* (COP). The COP is the ratio of output Btus divided by the input Btus. If the nominal rating of the chiller is 1 ton of refrigeration capacity, equivalent to 12,000 Btu/hr output, and the input energy is equivalent to 1 kW, or 3,413 Btu/hr, the resulting COP is 12,000/3,413 or 3.52.

Air-cooled reciprocating compressor water chillers have a peak load power requirement of 1.0–1.3 kW/ton, depending on capacity and ambient air temperature. Thus, the peak load COP for these units will range from 3.52 to 2.70. Typical rotary compressor water chillers with water-cooled condensing have a peak load power requirement of 0.5–0.7 kW/ton, resulting in a COP of 7.0–5.0.

The energy consumption by a rotary compressor chiller decreases as the imposed cooling load is reduced, as shown in Figure 1.7. These chillers operate efficiently at between approximately 30 and 90% load and *most* efficiently

TABLE 1.4. Rotary Chiller Input Power as a Function of Chilled Water Supply Temperature

Leaving chilled water temperature (°F)	Compressor input power (approx. % change)
41	+7
42	+5
43	+2
44	0
45	-2
46	-6
47	-8
48	-12
49	-16

between 40 and 80% load. Under these conditions, the gas flow rate is reduced, yet the full heat exchange surface of the cooler and condenser are still available, resulting in higher heat transfer efficiency.

Below about 30% load, the refrigerant gas flow rate is reduced to the point where (1) heat pickup from the motor and (2) mechanical inefficiencies have stabilized input energy requirements.

The vast majority of electric-drive rotary compressor water chillers utilize a single compressor. However, if the imposed cooling load profile indicates there will

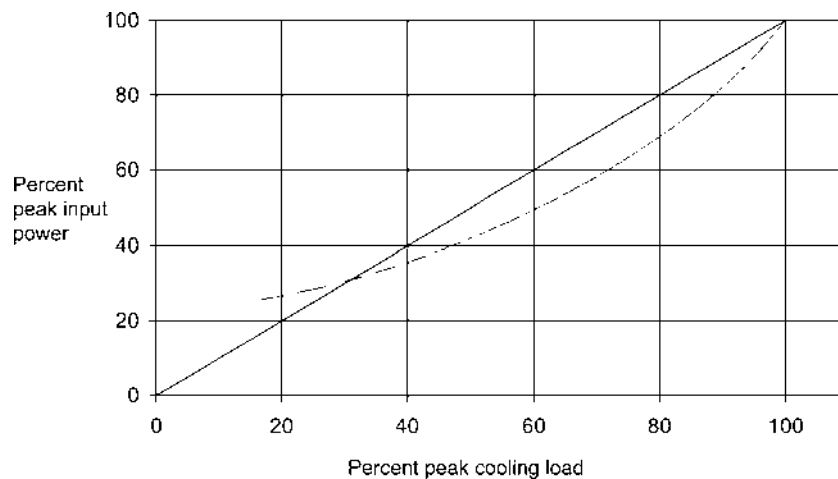


FIGURE 1.7. Typical rotary compressor part load performance.

be significant chiller usage at or below 30% of peak load, it may be advantageous to use a dual compressor chiller or multiple single compressor chillers.

The dual compressor chiller typically uses two compressors, each sized for 50% of the peak load. At 50–100% of design load, both compressors operate. However, if the imposed load drops below 50% of the design value, one compressor is stopped and the remaining compressor is used to satisfy the imposed load. This configuration has the advantage of reducing the inefficient operating point to 15% of full load (50% of 30%), reducing significantly the operating energy penalties that would result from a single compressor operation.

Negative-pressure chillers are typically somewhat more efficient than positive-pressure chillers. A peak load rating of 0.5 kW/ton or less is available for negative-pressure chillers, while positive-pressure chiller ratings below 0.55 kW/ton are difficult to obtain.

Positive-pressure chillers tend to be smaller and lighter than negative-pressure chillers, which can result in smaller chiller rooms and lighter structures. Negative-pressure chillers generally have a higher first cost than positive-pressure machines.

When purchasing a chiller, owners must decide if the improved efficiencies of negative pressure chillers are worth the additional first cost, the environmental impact of releasing refrigerants, the higher toxicity of R-123, and the impact of the phaseout of HCFC refrigerants.

1.3.4. Engine-Drive Chillers

Natural gas and propane fueled spark ignition engines have been applied to rotary compressor systems. The full-load cooling COP's for engine-driven chillers are approximately 1.0 for reciprocating compressors, 1.3–1.9 for screw compressors, and 1.9 for centrifugal compressors. These low COP's can be improved if the engine water jacket heat and exhaust heat can be recovered to heat service hot water or for other uses.

Engine-drive chillers have been around for many years, but their application, most typically utilizing natural gas for fuel, has been limited by a number of factors:

1. Higher first cost.
2. Air quality regulations.
3. Much higher maintenance requirements.
4. Short engine life.
5. Noise.
6. Larger physical size.
7. Lack of integration between engine and refrigeration subsystems.

Since the mid-1980s, manufacturers have worked very hard to reduce these negatives with more compact designs, emissions control systems, noise abatement measures, basic engine improvements, and development of overall systems controls using microprocessors.

However, *the maintenance requirements for engine-drive chillers remains high, adding about \$0.02/ton hr to the chiller operating cost.* Currently, the engines used for chillers are either spark-ignition engines based on automotive blocks, heads, and moving components (below about 400 ton capacity) or spark-ignition engines using diesel blocks and moving components (for larger chillers). While the automotive-derivative engines are advertised to have a 20,000 hr useful life, the real life may be much shorter, requiring an engine replacement every 2 years or so. The diesel-derivative engines require an overhaul every 10–12,000 hr (equivalent to a diesel truck traveling 500,000 miles at 50 mph).

Newer engines use *lean burn* technology to improve combustion and reduce CO and NOX emissions. By adding catalytic converters to the exhaust and additional emissions controls, natural gas fired engine drive chillers can meet stringent California air quality regulations.

Gas engine-drive chillers remain more expensive than electric-drive units and they have higher overall operating costs, including maintenance costs, (see Table 1.5). However, engine-drive chillers may be used during peak cooling load periods to reduce seasonal peak electrical demand charges (see Sec. 2.3).

TABLE 1.5. Chiller Efficiency and Estimated Energy Cost

Electrical input (kW/ton)	Heat input (Mbh/ton)	Cost ^a (\$/ton-hr)	COP	Application/compressor type
—	18.5	0.114	0.67	Single stage absorption
—	14.1	0.087	0.85	Two stage absorption
—	12.0	0.074	1.0	Direct-fired absorption
	12.0	0.074	1.0	Engine-drive reciprocating
	7.5	0.046	1.6	Engine-drive screw
	6.3	0.039	1.9	Engine-drive centrifugal
1.2	—	0.086	2.9	Air-cooled pos disp
1.0	—	0.072	3.5	Air-cooled rotary
0.8	—	0.058	4.4	Water-cooled rotary
0.7	—	0.500	5.0	Water-cooled rotary
0.6	—	0.043	5.8	Water-cooled rotary
0.5	—	0.036	7.0	Water-cooled rotary
0.4	—	0.029	8.8	Water-cooled rotary

^a Based on year 2000 U.S. average commercial energy costs: Electricity, \$0.072/kWh; Natural Gas, \$0.616/therm (100,000 Btu).

1.3.5. Condensing Medium

The heat collected by the water chiller, along with the excess compressor heat, must be rejected to a heat sink. Directly or indirectly, ambient atmospheric air is typically used as this heat sink.

For *air-cooled* chillers, the condenser consists of a refrigerant-to-air coil and one or more fans to circulate outdoor air over the coil. The performance of the condenser is dependent on the airflow rate and the air's dry bulb temperature.

Air-cooled condenser air flow rates range from 600 to 1200 cfm/ton with a 10–30°F approach between the ambient dry bulb temperature and the refrigerant condensing temperature. For R-22 in a typical HVAC application, the condensing temperature is about 105°F. Thus, the ambient air temperature must be no greater than 95°F. As the ambient air temperature increases, the condensing temperature increases and net cooling capacity decreases by about 2% for each 5°F increase in condensing temperature.

Water-cooled chillers typically use a *cooling tower* to reject condenser heat to the atmosphere and Chaps. 9–17 of this text address this topic in detail. At the chiller, with 85°F condenser water supplied from the cooling tower, condensing temperatures are reduced to 94–98°F, reducing the lift required of the compressor and significantly improving the chiller COP compared to air-cooled machines.

Table 1.5 illustrates the relative efficiency and operating cost for the various types of electric-drive chillers with both air- and water-cooled condensing.

1.4. ABSORPTION CHILLERS

Approximately 92% of refrigeration systems utilized for HVAC applications in the United States are electric-drive vapor compression cycle systems. However, in some areas, principally in large cities and at some universities and hospital complexes, large steam distribution systems are available. In years past, this steam was often cheaper than electricity and was used to provide cooling, utilizing the *absorption refrigeration cycle*. This is generally no longer the case and little or no new absorption cooling is utilized except where a waste heat source is available, such as with cogeneration or some industrial processes, or where the use of absorption cooling during peak cooling load periods may allow a reduction in seasonal electric demand charges (see Sec. 2.3).

The absorption refrigeration cycle is relatively old technology. The concept dates from the late 1700s and the first absorption refrigeration machine was built in the 1850s. However, by World War I, the technology and use of reciprocating compressors had advanced to the point where interest in and development of absorption cooling essentially stagnated until the 1950s. During this period, the

two-stage absorption refrigeration machine was developed in the United States, while the direct-fired concept was perfected in Japan and other Pacific-rim countries.

The fundamental “single stage” absorption cycle is represented in Figure 1.8. The evaporator consists of a heat exchanger, held at low pressure, with a separate refrigerant (typically, water) pump. The pump sprays the refrigerant over the tubes containing the chilled water, absorbs heat from the water, and evaporates as a low-pressure gas. The low-pressure gas flows to the *absorber* due to the pressure differential. The absorber is at a lower pressure than the evaporator is because the concentrated absorbent solution (typically lithium bromide) exerts a molecular attraction for the refrigerant. The absorbent solution is sprayed into contact with the refrigerant vapor. Condensing of the refrigerant occurs because the heat is absorbed by absorbent. The absorbent, then, is cooled by condenser water.

The absorbent now consists of a dilute solution, due to its having absorbed water vapor refrigerant. The dilute solution is pumped to the *concentrator*, where heat is applied to re-evaporate the refrigerant. The concentrated solution of absorbent is then returned to the absorber. The refrigerant vapor goes to the condenser, where it is condensed by the condenser water. To improve efficiency, a heat exchanger is used to preheat the dilute solution, with the heat contained in the concentrated solution of the absorbent.

Leaks allow air to enter the refrigerant system, introducing noncondensable gases. These gases must be removed, or *purged*, to prevent pressure in the absorber increasing to the point where refrigerant flow from the evaporator will stop. The solution in the bottom of the absorber is relatively quiet and these gases tend to collect at this point. They can be removed through the use of a vacuum pump, typically called a *purge pump*,

Absorption chillers are defined as *indirect-fired* or *direct-fired* and may be *single-stage* or *two-stage* (and research on a three-stage chiller is currently underway), as follows:

1. The indirect-fired single-stage machine uses low- to medium-pressure steam (5–40 psig) to provide the heat for the absorption process. This type of chiller requires approximately 18,500 Btu/hr per ton of cooling effect, resulting in a chiller COP of about 0.67.
2. The indirect-fired two-stage chiller utilizes high-pressure steam (at least 100 psig) or high temperature hot water (400°F or higher) and requires approximately 12,000 Btu/hr per ton of cooling effect, resulting in a chiller COP of 1.0.
3. The direct-fired chiller, as its name implies, does not use steam but utilizes a natural gas and/or fuel oil burner system to provide heat. These chillers are two-stage machines with a resulting in an overall COP of 1.0–1.1.

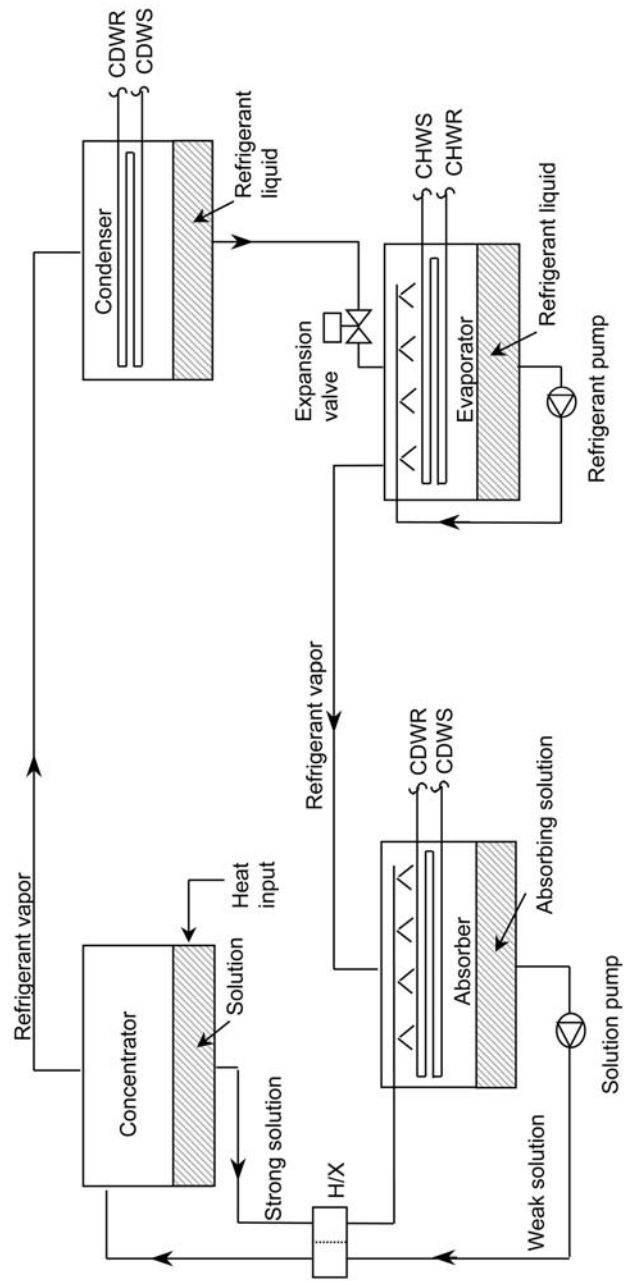


FIGURE 1.8. Single stage steam absorption chiller schematic.

For the indirect-fired units, the overall COP must be reduced to account for the losses in the steam production in the boilers. With a typical boiler firing efficiency of 80–85%, this reduces the overall COP for the single stage system to approximately 0.54 and to approximately 0.80 for the two-stage system.

Because absorption cooling has a COP of only 0.54–1.1, it competes poorly with electric-drive rotary compressor chillers, as shown in Table 1.5.

Other factors that must be considered for absorption chillers include the following:

1. Absorption chillers require approximately 50% more floor area than the equivalent electric-drive (vapor compression cycle) chiller. Additionally, due to their height, mechanical equipment rooms must be 6–10 ft taller than rooms housing electric-drive chillers. Finally, because the liquid solution is contained in long, shallow trays within an absorption chiller, the floor must be as close to absolutely level as possible.
2. Absorption chillers will weight at least twice as much the equivalent electric-drive chiller.
3. Due to their size, absorption chillers are sometimes shipped in several sections, requiring field welding for final assembly.
4. While most electric chillers are shipped from the factory with their refrigerant charge installed, the refrigerant and absorbent (including additives) must be field installed in absorption chillers.
5. While noise and vibration are real concerns for electric-drive chillers (see Sec. 6.1), absorption chillers (unless direct-fired) are quiet and essentially vibration-free.
6. Due to the potential for crystallization of the lithium bromide in the chiller if it becomes too cool, the condenser water temperature must be kept above 75–80°F.
7. An emergency power source may be required if lengthy power outages are common. Without power and heat input, the chiller begins to cool and the lithium bromide solution may crystallize. However, because an absorption chiller has a very small electrical load requirement (usually less than 10 kW), a dedicated back-up generator is not a major element.
8. The heat rejection rate from the condenser is 20–50% greater than for the equivalent electric-drive chiller, requiring higher condenser water flow rates and larger cooling towers and condenser water pumps.
9. Finally, an indirect-fired absorption chiller will be at least 50% more expensive to purchase than the equivalent electric-drive chiller. Direct-fired absorption chillers will cost almost twice as much as an electric machine, and have the added costs associated with providing combustion air and venting (stack).

Direct-fired absorption cycle chillers should be carefully evaluated anytime an engine-drive vapor compression cycle chiller is being considered. Even though the energy cost for the absorption chiller may be higher, the increased maintenance costs associated with engine-drive systems may make the absorption chiller more cost effective.

2

Chiller Configurations

2.1. THE SINGLE CHILLER SYSTEM

The basic chilled water piping configuration for a single chiller is shown in Figure 2.1. Here a single chiller provides chilled water to the cooling coils utilizing a single chilled water pump.

For small systems, this configuration has the advantage of lower initial cost, but does have some basic disadvantages:

1. With the single compressor system, failure of any component (compressor, pump, or condenser) will result in no cooling being available. For most facilities this is unacceptable and the use of multiple chillers allows at least some cooling (50% or more) to be provided even if one chiller fails. In cases where cooling is critical to the facility (computer centers, hospital, laboratories, pharmaceutical or textile manufacturing, etc.), multiple chillers with at least one redundant chiller are often used. In this case, even if one chiller fails, 100% of the design cooling load can still be met.
2. As discussed in Chapter 1, once the cooling load imposed on a rotary compressor chiller falls to below about 30% of the chiller capacity, the efficiency of the chiller begins to decline. Thus, multiple chillers may allow a better overall capacity-to-load ratio and improved operating efficiency.

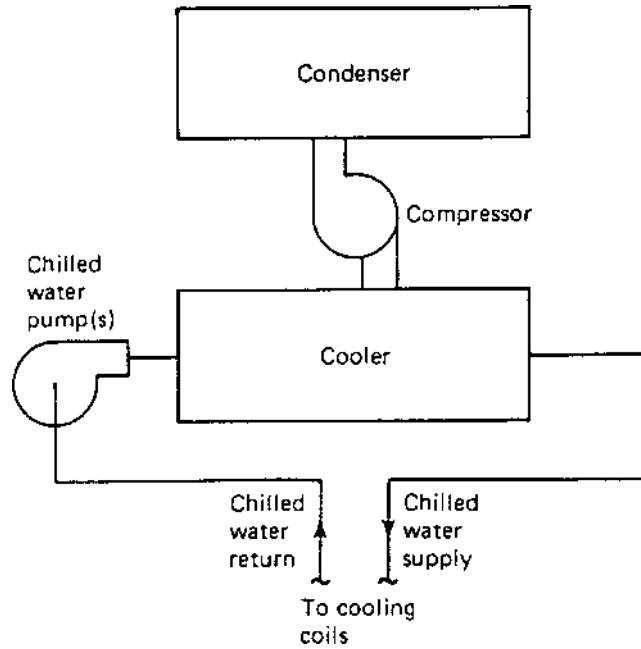


FIGURE 2.1. Constant flow, single chiller configuration.

2.2. MULTICHILLER SYSTEMS

When it is desirable to have multiple chillers, there are two basic configurations that can be utilized, *series* or *parallel*.

In the series configuration with two chillers, as shown in Figure 2.2, each chiller is selected to produce half of the required cooling at the full system flow rate. Thus, half of the total design range is produced by each chiller. Load ratios other than 50/50 are possible, but this is by far the most common condition because of control problems with chillers at very small temperature differences.

Table 2.1 summarizes the temperatures at various load conditions for the configuration shown in Figure 2.2.

TABLE 2.1. Series Configuration Temperatures

Temp	Full load	75% load	50% load	25% Load
T_S	44	44	44	44
T_R	56	53	50	47
T_1	50	50	50	47

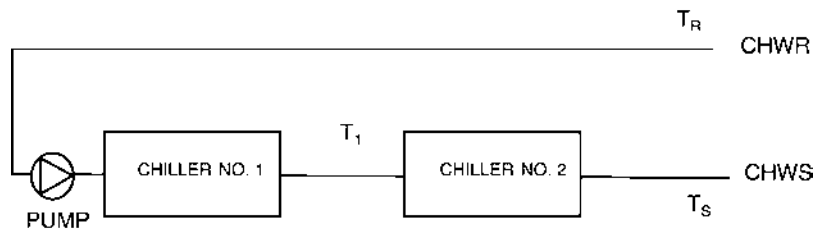


FIGURE 2.2. Series chiller configuration.

Series chiller systems are rarely done any longer because this configuration requires a constant chilled water flow rate at all times, resulting in high pumping costs. But, if a relatively large temperature difference is required or if there is a very steady base cooling load, the series configuration may offer some advantages.

The parallel chiller configuration is far more common. In a two-chiller configuration, each chiller is typically selected to operate with the same design range, but with only a half of the total system flow requirement. This again results in a 50/50 load split, but other load ratios may be selected if dictated by operational requirements.

2.2.1. One Pump Parallel Configuration

In the *one pump parallel chiller* configuration shown in Figure 2.3, the overall system performance and temperature conditions are summarized in Table 2.2.

With this configuration, there is an inherent problem. If both machines were operated for the full load range (15–100% of peak capacity), by the time the total system load drops to 30% of full load, each individual chiller would be operating very inefficiently. Thus, most designers utilize controls to shut off one chiller when the total system load, as evidenced by the return water temperature, falls below 50% of full load.

However, with this piping arrangement, if one chiller is not in operation, chilled water from the operating chiller will mix (blend) with the return water passing through the nonoperating chiller, effectively raising the chilled water supply temperature to the system. In many cases, this may not be a problem. But, generally the interior spaces of large buildings still require more-or-less full cooling even when the perimeter spaces require no cooling at all. An elevated chilled water supply temperature may not satisfy these interior load conditions.

To attempt to eliminate the blended supply water problem with the one pump configuration, some designers have used chiller flow isolation valves, as

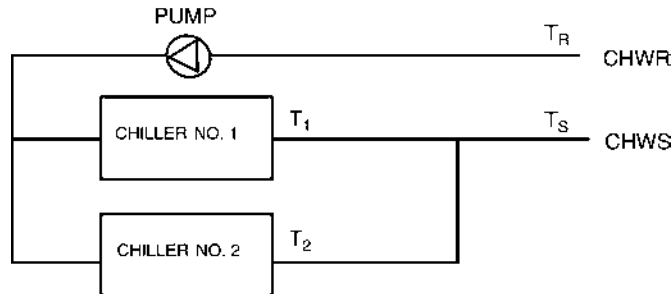


FIGURE 2.3. One pump parallel chiller configuration.

shown in Figure 2.4. With this configuration, flow through the nonoperating chiller is closed off when the chiller is not in operation.

This arrangement results in increased flow through the operating chiller, but does reduce the blending problem, as illustrated by Table 2.3.

2.2.2. Multiple Pump Parallel Configuration

To ensure that the blended water condition does not occur, the *multiple pump parallel chiller* configuration shown in Figure 2.5 is widely used.

With this configuration, each chiller has an individual chilled water pump. Thus, when one chiller is not operating—one pump is off, flow through the nonoperating chiller is zero, and no blending results.

Table 2.4 summarizes the performance and temperature conditions for this configuration at various load conditions.

TABLE 2.2. One Pump Parallel Configuration Flows and Temperatures

%Load	Chiller no. 1		Chiller no. 2		T_2	T_s
	T_r	Flow (%)	T_1	Flow (%)		
100	56	50	44	50	44	44
75	53	50	44	50	44	44
50	50/56	50	44	50	56 ^a	50
25	50	50	44	50	50 ^a	47

^a Chiller no. 2 off.

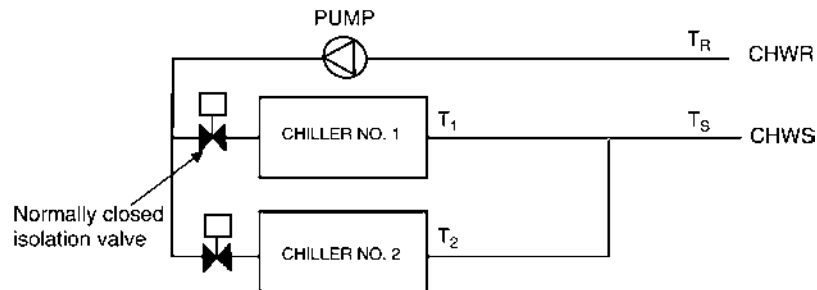


FIGURE 2.4. One pump parallel chiller configuration with isolation valves.

2.2.3. Primary–Secondary Parallel Configuration

Each of the configurations discussed earlier are essentially *constant flow* systems that utilize three-way control valves at the cooling coils. Constant flow systems circulate the same amount of chilled water no matter what the imposed cooling load and, consequently, result in high pumping energy costs.

To reduce these costs, the *primary–secondary variable flow* piping arrangement illustrated in Figure 2.6 is very common. Here, the *production loop* through the two chillers is hydraulically isolated from the *distribution loop* by a piping *bridge*. The bridge is a short section of piping shared by the two loops and designed to have little or no pressure drop. Thus, flow in either loop is not affected by flow in the other.

On the primary or “production” loop side, the system acts as a multiple pump parallel chiller installation, as described in Sec. 2.2.2. Flow in this loop varies in “steps” as the chillers are staged on or off and their respective pumps are started and stopped.

TABLE 2.3. One Pump Parallel Configuration with Isolation Valves
Flows and Temperatures

%Load	Chiller no. 1		Chiller no. 2		T_2	T_s
	T_r	Flow (%)	T_1	Flow (%)		
100	56	50	44	50	44	44
75	53	50	44	50	44	44
50	50/53	50/67	47	50/0	N/A ^a	47
25	47	67	44	0	N/A ^a	44

^aChiller no. 2 off.

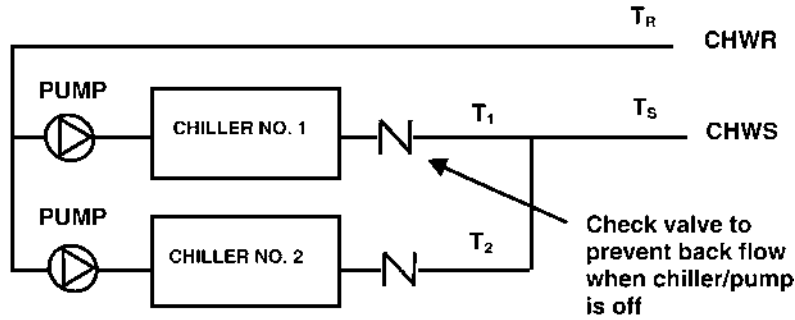


FIGURE 2.5. Multiple pump parallel chiller configuration.

However, in the secondary or distribution loop, the cooling coils utilize two-way control valves and the pump(s) is fitted with a variable speed controller that modulates the flow from 0 to 100% as a function of the imposed cooling load. Thus, this loop has variable flow, but a constant range. At any load condition, the supply water temperature is the same as the water temperature leaving the chiller(s), as long as the production loop flow rate equals or exceeds the distribution loop flow rate.

Table 2.5 summarizes the performance and temperature conditions for this configuration at various load conditions.

2.2.4. Variable Primary Flow Parallel Configuration

Since the early 1990s, rotary compressor water chillers have been manufactured with integral digital control systems. This represents a significant improvement in chiller control and allows the use of the *variable primary flow* piping arrangement

TABLE 2.4. Multiple Pump Parallel Configuration Flows and Temperatures

%Load	Chiller no. 1		Chiller no. 2		T_2	T_s
	T_r	Flow (%)	T_1	Flow (%)		
100	56	50	44	50	44	44
75	53	50	44	50	44	44
50	50	50	44	50/0	N/A ^a	44
25	47	50	44	0	N/A ^a	44

^aChiller no. 2 off.

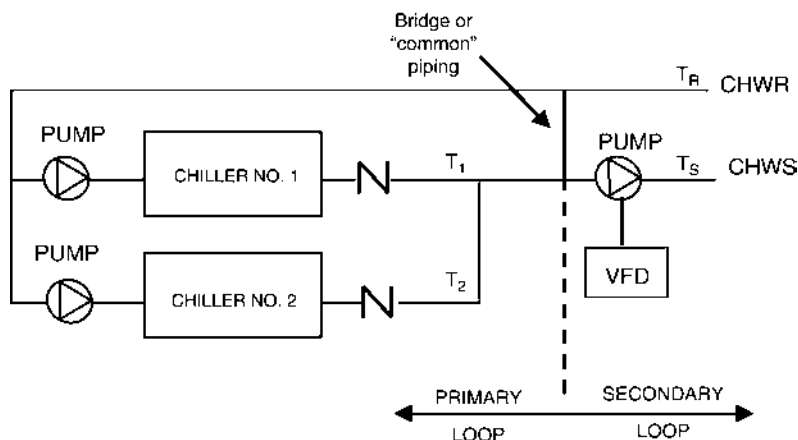


FIGURE 2.6. Primary–secondary parallel chiller configuration.

shown in Figure 2.7 to save even more in pumping energy (typically, approximately 15–20%).

The flow through the chillers is varied in response to the system load. A bypass valve opens to maintain minimum flow equivalent to about 30% of the flow through the largest chiller. This system has certain operational limitations since rapid load fluctuations and flow changes may result in fluctuation in the chilled water supply temperature, but is a viable option where critical chilled water temperature control is not required.

Basic criteria for this system include the following:

1. Flow through each chiller must be maintained in the range 3–11 fps. Consequently, good-quality flow meters, which must have periodic recalibration, are required for each chiller.
2. If flow rates through the chiller change too rapidly, the chiller controls cannot keep up. Therefore load fluctuations must be limited to not more than 30% per minute.

One misconception about the variable primary flow configurations is that the chillers in this type of system will operate more efficiently. With variable flow through the evaporator, the LMTD of the evaporator remains constant but the convective heat transfer coefficient decreases with flow, thus reducing the heat transfer effectiveness. With constant flow through the evaporator, the LMTD falls as the entering water temperature falls, but the convective heat transfer coefficient remains constant since flow remains constant. *Thus, power consumption by a chiller will be essentially the same whether evaporator water flow is constant or variable.*

TABLE 2.5. Primary–Secondary Configuration Flows and Temperatures

%Load	T_r	%Schw	%Pchw	Chiller no. 1		Chiller no. 2		T_2	T_s
				T_m	Flow (%)	T_1	Flow (%)		
100	56	100	100	56	50	44	50	44	44
75	56	75	100	53	50	44	50	44	44
50	56	50	50	56	50	44	50/0	N/A ^a	44
25	56	25	50	53	50	44	0	N/A ^a	44

^a Chiller no. 2 off.

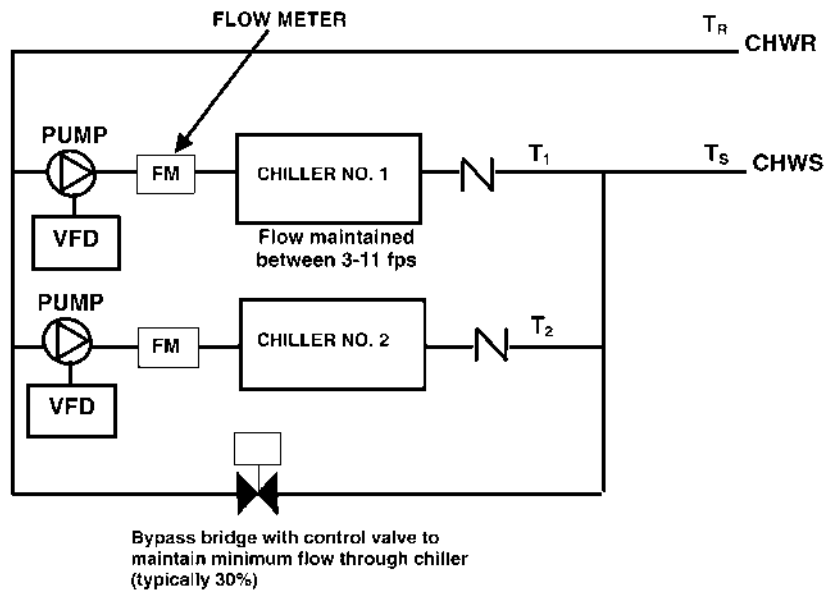


FIGURE 2.7. Variable flow primary parallel chiller configuration.

Another misconception about these systems is cost. Often the literature will state that variable primary flow systems are less costly than primary–secondary systems because one set of pumps is eliminated. However, the cost of high-quality flow meters (and the additional piping to ensure they are installed properly for accurate reading), the bypass flow control valve, and the more complex system controls will generally offset pump cost savings.

For large systems with high flow rates and long distribution piping runs, the additional savings in pumping energy produced by this configuration may be advantageous. But, it is a much more complex system and has operating limitations previously discussed. *So, for most systems, the simpler primary–secondary system configuration remains the recommended approach for the majority of multiple chiller systems*, though variable primary flow should be evaluated for larger systems with long distribution runs and more sophisticated operators.

2.3. SYSTEM PEAK COOLING LOAD AND LOAD PROFILE

One primary goal for chiller operation is to produce chilled water as economically as possible. To meet this goal, not only must individual chillers be efficient, but the entire multichiller system must be designed to function efficiently.

The first step in evaluating the requirements for a chilled water system is to determine the peak cooling load requirement. However, the peak load will occur only for a very limited number of hours during the year. On an annual basis, the imposed load will vary based on the time of day due to occupancy patterns, solar heat gains, and diurnal temperature swings, etc. and the time of year due to solar and temperature seasonal variations. Another factor that influences the load imposed on the chilled water plant is the amount of “core” building area that will require cooling year-around and whether an airside economizer cycle is installed to provide “free” cooling during the winter. *With all of these variables, every chilled water system will operate far more hours at a part-load condition than it will operate at the peak load condition.*

Thus, in addition to determine the peak load to be imposed on the system, it is also necessary to determine the part-load profile, either as a function of time, outdoor temperature, or both.

The best way to illustrate the process of estimating a system cooling load profile is by example:

1. Assume a chilled water system serves a building with the peak load characteristics summarized in Table 2.6. This peak load is based on the building being fully utilized at 4:00 PM on an August afternoon.
2. The next step is to evaluate the peak day load profile by determining the loads imposed each hour of the design day as shown in Table 2.7. Note that there is both an “occupancy variable” for lighting and other internal heat

TABLE 2.6. Example of Peak Heat Gain Components
(4:00 PM, August 31, 94°F DB/78°F WB Outdoor
Conditions)

Component	Heat gain (Btu/hr)
Opaque walls and roof conduction	165,000
Window conduction	210,000
Window solar radiation	490,000
Internal	
People, sensible	25,000
People, latent	20,000
Lights	900,000
Equipment/appliances	75,000
Ventilation	
Sensible	427,000
Latent	390,000
Total	2,702,000
	225 tons

TABLE 2.7. Example Estimated Design Day Load Profile

Hour	O.A. temp	Heat gain (1000 Btu/hr)						Total	Total tons
		Walls/roof	Window cond.	Window solar	Internal	Vent.	Total		
1	78	26	33	0	102	129	29	24	
2	76	9	11	0	102	43	165	14	
3	74	-9	-11	0	102	-43	39	3	
4	76	9	11	0	102	43	165	14	
5	77	17	22	0	102	86	227	19	
6	78	26	33	0	102	129	290	24	
7	80	43	55	10	102	215	425	35	
8	81	52	66	50	102	258	528	44	
9	82	61	77	60	750	301	1249	104	
10	84	78	99	80	900	387	1544	129	
11	86	96	122	100	1020	473	1811	151	
12	88	113	144	150	1020	559	1986	166	
13	90	130	166	200	1020	645	2031	169	
14	92	148	188	300	1020	731	2387	199	
15	93	156	199	400	1020	774	2549	212	
16	94	165	210	490	1020	817	2702	225	
17	93	156	199	480	1020	774	2549	212	
18	92	148	188	400	900	731	2367	197	
19	90	130	166	350	900	645	2191	183	
20	86	96	122	150	700	473	1541	128	
21	84	78	99	90	500	387	1154	96	
22	82	61	77	0	102	301	541	45	
23	81	52	66	0	102	258	470	39	
24	80	43	55	0	102	215	415	35	

gains, a “solar variable” due to the day/night cycle, and a “temperature variable” due to the diurnal temperature profile over the 24-hr period.

3. Next, examine the load imposed with winter outdoor conditions. While the occupancy variables will be the same as for the summer month, the solar and temperature variables will be markedly different. To determine the imposed chilled water load, the building may be considered to have a *perimeter zone*, in which heat losses through walls, roofs, and windows offset internal heat gains, and a *core zone*, in which only roof loads can be considered to offset internal heat gains. Obviously, the cold ventilation air can help offset any imposed space cooling loads.

In Table 2.8, the building is assumed to have 50/50 core/perimeter area relationship and the loads are evaluated for different outdoor temperatures for both “occupied” and “unoccupied” conditions.

4. Finally, consider the impact of airside economizer cycles. If all of the air-handling units are equipped with economizers, there is no requirement for chilled water when the outdoor temperature is below the cooling coil discharge temperature, typically 50–55°F. If airside economizers are not provided, then either chilled water must be provided by running the chillers and/or using a *waterside economizer cycle* (see Sec. 14.2).

From this evaluation, both the peak load and the minimum load to be imposed on the chilled water system are determined.

1. In this example, the peak load is 225 tons.
2. If the example building were an office building, in all probability the air systems would be shut down when the cleaning crew is finished at about 8:00 PM (hour 20) and not started until about 6:00 AM (hour 6). However, for a lab building, the air systems will operate 24 hr per day. Therefore, from Table 2.7, the minimum load imposed on the chilled water system would be as low as 3 tons if the building were cooled 24 hr per day, but 24 tons if the building is shut down at night.
3. Based on Table 2.8, the building will require cooling by the chilled water system during the occupied period down to 40°F outdoor air temperature. If airside economizers are in use, the minimum winter occupied cooling load is 76 tons, occurring at 60°F outdoor temperature.

2.4. SELECTING WATER CHILLERS

2.4.1. Basic Chiller Requirements

The peak cooling capacity and corresponding input energy for water chillers is rated in accordance with the Air-conditioning and Refrigeration Institute (ARI)

TABLE 2.8. Example Winter Cooling Requirements

O.A. temp bin	Perimeter zones heat gain/loss (Btu/hr)						Core zones internal heat gain (Btu/hr)	Ventilation heat gain/loss (Btu/hr)	Total heat gain/loss (Btu/hr)	Total tons
	Occupancy	Walls/Roof	Window cond.	Window solar	Internal	Internal				
0	Occupied	-618	-788	490	510	510	510	-1601	-1497	
	Unoccupied	-618	-788	0	51	51	51	-1601	-2956	
10	Occupied	-536	-673	490	510	510	510	-1388	-1097	
	Unoccupied	-536	-673	0	51	51	51	-1388	-2495	
20	Occupied	-454	-578	490	510	510	510	-1174	-696	
	Unoccupied	-454	-578	0	51	51	51	-1174	-2104	
30	Occupied	-371	-473	490	510	510	510	-961	-295	
	Unoccupied	-371	-473	0	51	51	51	-961	-1703	
40	Occupied	-289	-368	490	510	510	510	-747	106	9
	Unoccupied	-289	-368	0	51	51	51	-747	-1302	
50	Occupied	-206	-263	490	510	510	510	-534	507	42
	Unoccupied	-206	-263	0	51	51	51	-534	-901	
60	Occupied	-124	-158	490	510	510	510	-320	908	76
	Unoccupied	-124	-158	0	51	51	51	-320	-531	

Standard 550/590-98, *Water-Chilling Packages Using the Vapor Compression Cycle*. Chillers must be constructed and installed in accordance with ASHRAE Standard 15, *Safety Code for Mechanical Refrigeration*. Since the evaporator and condenser for R-22 or R-134A chillers operate at pressures exceeding 15 psig, they are defined as *pressure vessels* and must be constructed in accordance with Section 8 of the American Society of Mechanical Engineers (ASME) *Boiler and Pressure Vessel Code*. And, all chillers must comply with the requirements of Underwriters Laboratory (UL) Standard 465.

The rated capacity of a water chiller, determined in accordance with ARI 550/590-98 is based on a standard set of operating conditions, as follows:

Chilled water supply temperature	44°F
Chilled water temperature range/flow rate	10°F/2.4 gpm/ton
Evaporator fouling factor	0.0001
Condenser water supply temperature/flow rate (water-cooled)	85°F/3.0 gpm/ton
Condenser fouling factor	0.00025
Entering air temperature (air-cooled)	95°F

If any of these conditions vary for a specific project or location, the manufacturers will provide a specific cooling rating for the required conditions. Typically, if the chilled water temperature increases, chiller capacity increases. If the entering condenser water or air temperature decreases, chiller capacity increases. Generally, capacity does not vary with changes in range.

2.4.2. Part-Load Efficiency

As shown in Sec. 2.3, chillers rarely operate for long at maximum capacity. To provide data to evaluate chiller part load performance, ARI 550/590-98 requires chiller manufacturers to determine the part-load operating performance characteristics, as follows:

1. *Integrated Part-Load Value (IPLV)*—This rating method requires the manufacturer to determine the input energy requirement for each chiller at the four operating conditions defined in Table 2.9. The “weighing factor” defined in Table 2.9 represents the percentage of the hours of the cooling season at which the chiller is expected to operate at the defined rating point.

Since chiller energy performance will improve with reduced load and reduced condensing temperatures, the IPLV can be used to compare alternative chiller seasonal energy consumption using a common rating method. All other factors being equal, the chiller with the lower IPLV will have lower seasonal operating costs.

TABLE 2.9. IPLV Rating Conditions (ARI Standard 550/590-98)

Rating point	Percent of full load	Weighing factor (%)	Water-cooled condenser water temperature (°F)	Air-cooled entering air temperature (°F)
A	100	1	85	95
B	75	42	75	80
C	50	45	65	65
D	25	12	65	55

The weighing factors used in the ARI standard are based on (1) weighted average weather data for 29 U.S. cities, and (2) weighted hours of use at different building operating scenarios.

2. *Nonstandard Part-Load Value (NPLV)*—The IPLV rating is only directly applicable to the single chiller installation where the condenser water supply temperature is allowed to fall as the outdoor wet bulb temperature falls.

Anytime multiple chillers are used, particularly if careful control allows the chillers to be used at or near their optimum efficiency range 40–80% of rated capacity, the IPLV has little validity. Likewise, if control of the condenser water temperature control method does not allow the supply temperature to go as low as 65°F, then the IPLV is not valid. And, in fact, at least two chiller manufacturers recommend limiting the supply condenser water temperature to 65°F and 75°F, respectively.

Therefore, to compare the seasonal energy performance of alternative chillers, it is necessary to define the specific weighing factors and condensing conditions to be applied to compute an NPLV. (See Chap. 8 for further discussion of this topic.)

Energy codes in the United States are, by Federal law, required to be equivalent to ASHRAE/IESNA Standard 90.1, *Energy Standard for Buildings Except Low-Rise Residential Buildings*. The 1999 version of this standard requires that water chillers, when selected for rated conditions, have minimum peak load COP's and rated IPLVs shown in Table 2.10. (Typically, though, it is more cost effective to purchase chillers that are more efficient than these minimum values.)

2.4.3. Load vs. Capacity

One of the major chiller manufacturers estimates that, for the typical chiller installation, 25% of the total owning and operating cost over the life of the chiller is related to the cost of designing, purchasing, and installing the chiller, while

TABLE 2.10. Minimum Water Chiller Efficiency Requirements from ASHRAE/IESNA Standard 90.1-1999

Chiller type	Capacity (tons)	Peak load COP	IPLV (kW/ton)
Reciprocating, air-cooled	All	2.80	1.256
Reciprocating, water-cooled	All	4.20	0.756
Screw, water-cooled	< 150	4.45	0.781
	151–299	4.90	0.710
	≥ 300	5.50	0.628
Centrifugal, water-cooled	< 150	5.00	0.703
	151–299	5.55	0.634
	≥ 300	6.10	0.576
Absorption, 2-stage, direct or indirect, water-cooled	All	1.00	—

75% of the total cost is consumed by energy expenses and maintenance costs. *Therefore, while the chiller must be selected to meet the peak cooling load, or its assigned part of the peak load, it is far more important to select each chiller to operate as efficiently as possible over the full range of part load conditions that can be expected.*

If the chiller “plant” is to consist of a single chiller, it is only necessary to select the chiller to meet the peak cooling load and then select the most efficient chiller (the chiller with the lowest IPLV or NPLV) within the scope of the available capital funds. But, when multiple chillers are to be selected, the selection of each chiller becomes more complex. But, the basic requirement is, as closely as possible, to match capacity to load across the full load profile.

As discussed in Sec. 2.1, it is usually desirable to have multiple chillers available to satisfy the cooling load imposed on a chilled water system. There are several aspects that must be considered when selecting the chillers for a multichiller system:

1. *Compressor Type*—For peak cooling loads below 100–125 tons, rotary compressor chillers are expensive and only a single chiller could be used since this is the minimum capacity available for this type of compressor. Therefore, the only choice is to use reciprocating compressors.

For chillers less than about 20 tons capacity, the only way to have a multichiller system is to use multiple, modular water chillers that are available in the 2–10-tons capacity range. For larger capacities, multiple reciprocating compressors are utilized for a single chiller, with as many as four compressors used at 100–125-tons capacity. In effect, since each

compressor can be arranged with an independent refrigerant circuit, this arrangement yields the same reliability and redundancy as a multichiller system and is perfectly acceptable.

Between 100 and 200 tons peak cooling load, two or more reciprocating compressor chillers can be used. Above 200 tons, rotary compressor systems begin to become cost effective.

2. *Condensing Medium*—For peak cooling loads below 100–125 tons, the capital cost and increased maintenance requirements for a water-cooled system are rarely justified and the chiller(s) will be air-cooled. Above 200 tons peak cooling load, and with the use of rotary compressor chillers, the addition of cooling towers to the system to provide for water-cooled condensing become justifiable. Between 100 and 200 tons peak cooling load, it becomes a matter of the owner's ability to deal with the maintenance requirements of a cooling tower system, owner preference (if any), and the capital funds available.
3. *Symmetrical Chiller Capacity*—With this approach, all of the chillers are sized for equal capacity. The number of chillers and, thus, the size of the chiller “module” is based on the minimum anticipated load. Once the plant load is reduced to below the capacity of a single chiller, we want that chiller to operate in an efficient region (i.e., above 30% capacity) as long as possible.

For example, a building with a peak cooling load of 750 tons and a minimum cooling load of 100 tons could be served by three chillers, each rated at 250 tons. At 100 tons, a single chiller would operate at 40% capacity, which is still within the efficient region.

Had two 375 ton chillers been selected, the last chiller on line would operate at 27% of its capacity to meet the minimum cooling load requirement.

In this example, if the minimum cooling load had been 20 tons, even the 250 ton chiller would not have been able to fully respond. Since chiller minimum capacity is typically about 15% of the peak capacity, the chiller would have cycle off under its internal controls when the load fell below about 40 tons.

4. *Asymmetrical Chiller Capacity*—There is no engineering rule that says that all chillers in a multichiller system have to be the same size. While there may be some maintenance advantages (common parts, etc.), different sized chillers can be operated together.

In the previous example, the 750 peak load could have been met with a 600- and a 150-ton chiller. Both chillers would operate to produce 750 tons at peak load conditions, but the smaller chiller would meet the minimum load operating at 50% of its peak capacity, which would normally be a very efficient operating point.

Table 2.11 summarizes the load vs. capacity relations for the symmetrical and asymmetrical examples. The asymmetrical arrangement results in potentially lower operating cost and the ability to satisfy a lower minimum cooling load. If a single chiller fails with the symmetrical design, two-thirds of the peak capacity is still available. However, if the 600 ton chiller in the asymmetrical arrangement fails, only 20% of the plant capacity is available.

Another common asymmetrical configuration is the 60/40 split with two chillers. In this case, one chiller is sized for 40% of the load while the larger chiller is sized for 60% of the load. In many applications, this split will allow better capacity-to-load matching and improved performance.

2.5. MIXED ENERGY SOURCE CHILLER SYSTEMS

For smaller chilled water systems (less than 800–1000 tons), the lower average operating cost for electric-drive chillers generally eliminates alternative energy source considerations. However, for larger plants, particularly where electrical demand charges are high, have the potential of using absorption and/or engine-drive chillers as part of the multichiller “mix.”

As discussed in Chap. 1, both absorption chillers and engine-drive chillers are less efficient than electric-drive chillers and, generally, have higher operating and maintenance costs. However, if the seasonal cooling load profile is such that

TABLE 2.11. Comparison of Symmetrical vs. Asymmetrical Chiller Plant Performance

%Peak load	Load (tons)	Symmetrical plant output (tons)			Asymmetrical plant output (tons)	
		Chiller 1	Chiller 2	Chiller 3	Chiller 1	Chiller 2
100	750	250	250	250	600	150
90	675	225	225	225	540	135
80	600	200	200	200	600	Off
70	525	175	175	175	525	Off
60	450	225	225	Off	450	Off
50	375	188	187	Off	375	Off
40	300	150	150	Off	300	Off
30	225	225	Off	Off	225	Off
20	150	150	Off	Off	Off	150
10	75	75	Off	Off	Off	75

higher cost cooling methods can be used for a limited number of hours to reduce the peak electrical demand and associated demand charges, usually imposed on an annual basis, the net result is an operating cost savings. The first step in determining if an energy source in addition to electricity should be considered is to understand electric utility rate schedules and the costs of alternative fuels.

All electric rates divide the allocation of cost into two components, *demand* and *consumption*. Demand, in terms of kW, represents the highest use of electricity over a specified period time, typically 15–30 min, during each monthly billing period. Consumption, in kWh, is the total use of electricity during the monthly billing period.

For the electric utility, the *demand charge* represents the cost incurred by the utility in having sufficient capacity available to meet each customer's maximum need, even though the maximum need may occur only for a limited number of hours each year. In essence, it represents the utility's attempt to equitably distribute the cost of capital recovery for their plants, distribution lines, substations, etc. to those requiring the availability of this capacity.

For most electric utilities, their peak system demand occurs during the summer because of air-conditioning use. Thus, demand charges are computed not only on the basis of the maximum use of electricity in each month, these charges may be imposed on an annual basis via *ratchet clauses* in the electric rate.

A typical ratchet clause will define the "billing demand" in each month as the greater of the actual demand incurred during that month or the maximum demand incurred in the previous 11 months. Other rates may use only an 80% ratchet, setting the billing demand in each month as the greater of the actual demand incurred during that month or 80% of the maximum demand incurred in the previous 11 months. Some will separate summer peak demands and winter peak demands to define the minimum billing demand in each month.

To further address the impact of a customer's peak demand on the utility's system demand, *on-peak* and *off-peak* periods are typically specified by the utility on a daily basis. For example, one utility defines their on-peak summer period to be from 10 AM to 8 PM, Monday through Friday, during the months of June, July, August, and September. During the on-peak period, demand charges may exceed \$20.00 per kW, while off-peak demand charges might be only \$3.00–\$4.00.

Additionally, utilities impose further peak period cost penalties by establishing higher consumption charges during on-peak periods relative to off-peak periods. Power may be \$0.14/kWh during the on-peak period, but only \$0.04 during the off-peak period.

Cooling systems, because of their high demand with correspondingly low energy consumption, have a particularly bad impact on the electric utility's overall *load factor* (the ratio of peak capacity to average capacity required). By reducing the peak load imposed on the electric utility or by shifting cooling

energy consumption to off-peak periods, the user is effectively helping the utility improve its load factor. This benefit can be reflected in the rate schedules and contract terms that can be negotiated with the utility and can reduce the overall cost of chilled water production.

The most common approach to reducing electrical energy costs for cooling is to utilize an alternative energy source during on-peak periods. Alternative energy sources that can be considered for used in a mixed energy source chiller system include the following:

1. *Natural Gas and/or Fuel Oil*—Natural gas can be used in direct-fired absorption chillers, smaller spark ignition engine-drive chillers, or very large gas turbine-drive chillers. No. 2 fuel oil can be used in direct-fired absorption chillers and diesel engine-drive chillers.

Natural gas rate schedules fall into two general categories: “firm” gas rates and “interruptible” gas rates. Firm gas rates are based on the utility having gas available at all times, regardless of the load on the gas distribution system. Interruptible rates are used when the facility allows the gas utility to cut off their gas supply during peak distribution load periods. Firm gas rates are typically much higher than interruptible rates. Since the gas utility has its peak distribution loads during the winter, gas used during the summer, even if purchased under an interruptible rate, is a very reliable energy source.

For most gas utilities, the summer distribution load is far less than their winter distribution load and it is of great economic advantage to the gas utility if it can add summer load without increasing the winter peak. Cooling is an ideal candidate for additional summer load and, therefore, some utilities will offer discounts for purchase of “summer gas.”

Fuel oil usually is a consideration only if the fuel storage facilities are already in place to serve the boilers and/or emergency generators. The costs and environmental considerations associated with large fuel oil storage facilities are significant and generally eliminate this option for new installations.

Fuel oil is purchased in bulk lots (usually by the “tanker load” of approximately 8000 gallons) on the “spot” market. Therefore, the facility manager must continually shop for the best price.

2. *District Steam or High-Temperature Hot Water*—Larger campus facilities such as universities, military bases, and hospitals may have steam or high-temperature hot water heating distribution systems. Since these systems are lightly loaded during the summer, either steam or hot water can be used in absorption chillers to provide chilled water during on-peak periods.

The cost of steam or high-temperature hot water must include the cost of the fuel, discounted by the firing inefficiencies and distribution losses in the system. Summer COP's for a central boiler plant may be as low as 0.5–0.7; so careful study is required to determine the real cost of steam or hot water delivered to the chiller(s).

3. *Waste Heat from Industrial Processes*—Heat, if sufficiently hot and if available in the required quantities, can be used to produce steam or high-temperature hot water for absorption cooling.

As discussed in Chap. 1, no type of chiller is more efficient than the electric-drive chiller. Additionally, absorption and engine-drive chillers cost more than equivalent electric-drive chillers to purchase and install. So, the economic viability for use of an alternative fuel hinges on using an inefficient, high-cost method of cooling for relatively short periods to save enough on-peak and ratchet electrical charges associated with an equivalent amount of electric-drive cooling to pay for the increased capital requirements within an acceptable timeframe.

Typically, this does not happen unless the cost of alternative energy sources is very low or additional cooling capacity is required anyway and only the *incremental cost increase* for alternative fuel systems must be recovered. In the first case, the energy cost must be validated and its reliability evaluated. In the second case, the capital cost difference between electric chillers and absorption or engine-drive chillers must be determined. In either case, careful analysis is required.

3

Chilled Water System Elements

3.1. CHILLER PLACEMENT AND INSTALLATION

An air-cooled water chiller must be located outdoors in order to use atmospheric air as its heat sink. Location and installation of an air-cooled chiller must address the following considerations:

1. Prevent *recirculation* of discharge air by locating the chiller with sufficient clearance to adjacent buildings, shrubbery, and other equipment to allow unobstructed air movement into and out of the condenser section. Discharge is obviously warmer than the ambient air and, if allowed to recirculate and enter the condenser, chiller capacity is reduced.
Screening, either by plantings or screen walls, must be at least 10 ft away from the chiller, be no higher than the top of the chiller, and have at least 50% open area.
2. *Community noise* must be addressed. And, for rooftop applications, vibration must be considered. See Section 6.1 for a detailed discussion of these topics.
3. *Service access* must be considered. Ground locations are preferable to rooftop locations simply because access is easier. (Compressor replacement for a rooftop chiller can be complex, expensive, and aggravating due to the need to lift a heavy compressor to the roof level.)

Water-cooled chillers are located indoors in a mechanical equipment room or *chiller room*. Chiller rooms must be separate from boiler rooms and require space for the chiller(s), chilled water pump(s), condenser water pump(s), and the condenser water treatment system (see Chap. 13). ASHRAE Standard 15, adopted by most building code authorities, classifies a chiller room as a *refrigeration machinery room* if the amount of refrigerant in the largest chiller exceeds certain specified levels. If so classified, the room must be constructed to higher standards, including specialized ventilation systems, and a detailed code review for these spaces is critical.

Chillers are big, heavy, and noisy and all of these conditions must be taken into account when locating and sizing the chiller room:

1. Table 3.1 lists the operating weights for typical water-cooled rotary compressor chillers. Obviously, it is usually easier to deal with these concentrated weights in a ground floor or basement location than in the upper stories of a building.
2. Noise levels as high as 80–90 dBA can be produced by a chiller during part load operation and the chiller room must be designed to contain the noise. While vibration by a rotary compressor chiller is very low, it must also be considered and addressed. Again, see Section 6.1 for a more detailed discussion of these topics.
3. The chillers, pumps, water treatment equipment, etc. in the chiller room must be located and arranged to provide for adequate access for maintenance.

Figure 3.1 illustrates the piping and installation requirements for a typical rotary compressor chiller installed at or below grade level.

TABLE 3.1. Approximate Chiller Operating Weight

Capacity (tons)	Approximate operating weight (lbs)	Condensing type
25	3,000	Air-cooled
50	5,000	
75	7,500	
100	10,000	
150	12,000–17,000	Water-cooled
200–300	15,000–20,000	
300–500	20,000–28,000	
500–700	22,000–30,000	
700–900	26,000–44,000	
900–1,200	42,000–66,000	
1,200–1,500	57,000–71,000	
1,500–2,000	68,000–95,000	

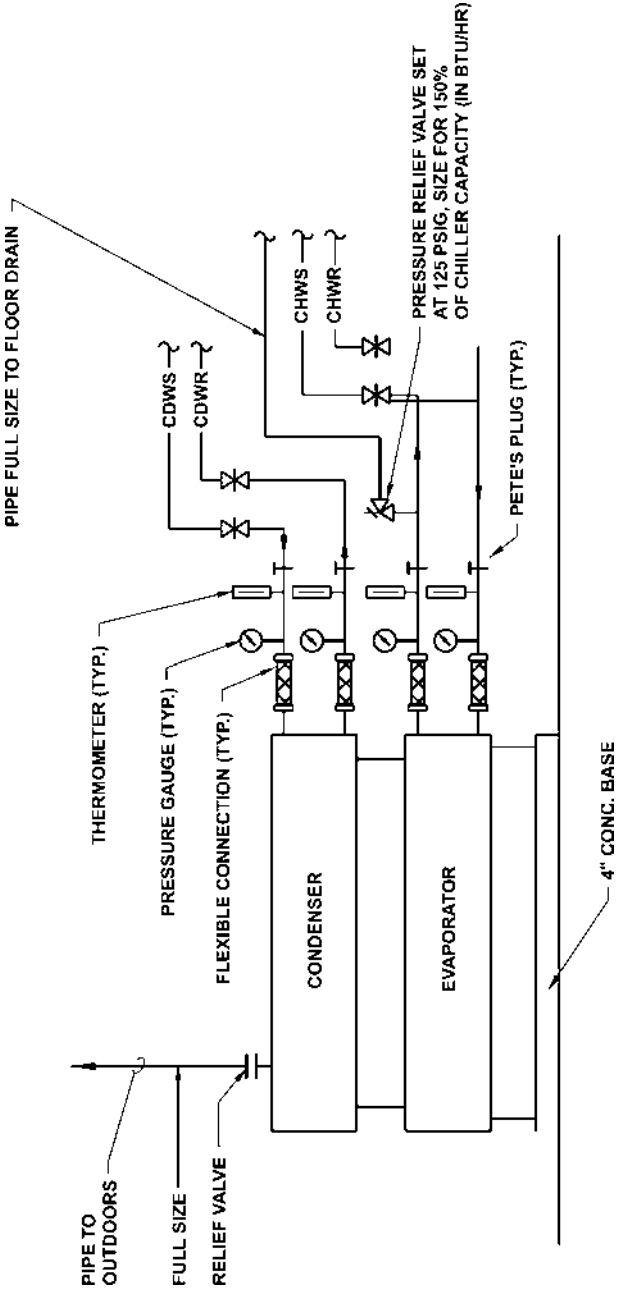


FIGURE 3.1. Typical chiller piping.

3.2. CHILLED WATER PIPING

3.2.1. Piping Materials and Insulation Requirements

Chilled water distribution systems are assembled from commercially available piping materials, most commonly steel and copper.

Steel Pipe—This is the most common above-ground piping type and is defined by its wall thickness, called *schedule*, and its finish. Up through 12 in. pipe size, Schedule 40 piping is normally used for chilled (and condenser) water applications. For piping 14 in. and larger, most designers standardize on piping with a 0.375 in. wall thickness and ignore the pipe schedules. All chilled water piping is constructed of piping with a *mill finish* and is referred to as “black.” Piping 2 in. and smaller is usually assembled by threaded joints, while piping 2-1/2 in. and larger is usually assembled by welding. Table 3.2 lists the physical properties of steel piping commonly used in water systems. The fittings for steel pipe with screw connections are typically constructed of cast iron rated for up to 125 psig working pressure. Wrought steel “buttwelding” fittings are used for welded piping.

TABLE 3.2. Properties of Commercial Steel Pipe

Pipe size (in.)	Outside diameter (in.)	Wall thickness (in.)	Pipe schedule
1/2	0.840	0.109	40
3/4	1.050	0.113	40
1	1.315	0.133	40
1-1/4	1.660	0.140	40
1-1/2	1.900	0.145	40
2	2.375	0.154	40
2-1/2	2.875	0.203	40
3	3.500	0.216	40
4	4.500	0.237	40
6	6.625	0.280	40
8	8.625	0.322	40
10	10.750	0.365	40
12	12.750	0.406	40
14	14.000	0.375	30
16	16.000	0.375	30
18	18.000	0.375	30
20	20.000	0.375	20
24	24.000	0.375	20

Copper Tubing—The cost of copper tubing is higher than that of steel pipe, but the installation labor cost for smaller sizes, 2 in. and less, is much less than that of steel. Therefore, most designers allow copper tubing to be used in water systems for these smaller sizes at the contractor's option. To prevent galvanic corrosion that is initiated by dissimilar metals in direct contact, connection between steel and copper piping materials must be electrically separated by a *dielectric union*. This fitting uses rubber gasketing to separate the two materials. The wall thickness of copper tubing is indicated by its *type*, defined as Types K, L, and M in decreasing order of wall thickness (Table 3.3). Typically, Type K or L tubing can be used for chilled water piping, but the Type M wall thickness is too thin. Fittings for copper tubing are wrought copper and the tubing and fittings are assembled by soldering the joints.

Cast or Ductile Iron—For underground piping, cast iron piping or ductile iron piping is routinely used. Iron piping is rated for application in terms of “pressure class” and for most chilled water systems Class 350 is used up through 12 in. pipe size, Class 250 for 14–20 in. pipe, and Class 150 for piping 24 in. and larger. Fittings are cast gray or ductile iron and the fittings and piping are assembled with gasketed mechanical pressure joints.

PVC or CPVC—As an alternative to iron piping for underground chilled water distribution, PVC or CPVC piping can be used. PVC and CPVC piping wall thickness is defined in terms of schedules, much like steel pipe. For chilled water applications, Schedule 40 piping is normally used. Fittings are also formed of PVC or CPVC and are joined by solvent soldering up through 4 in. pipe size and by gasketed mechanical pressure joints for larger sizes.

All above-ground piping must be insulated to reduce unwanted heat gain and to prevent surface condensation, since chilled water temperatures are normally well below ambient air dewpoint temperatures during the cooling season. While as little as 1 in. of insulation may serve to limit heat gains (and to meet current energy codes),

TABLE 3.3. Properties of Commercial Copper Tubing

Pipe size (in.)	Outside diameter (in.)	Type K wall thickness (in.)	Type L wall thickness (in.)
1/2	0.625	0.049	0.40
3/4	0.875	0.065	0.045
1	1.125	0.065	0.050
1-1/4	1.375	0.065	0.055
1-1/2	1.625	0.072	0.060
2	2.125	0.083	0.070

more insulation may be required, particularly in southern climates, to prevent surface condensation. *Thus, at least 2 in. of insulation is recommended.*

Because the pipe surface is cold, insulation must be applied before the chilled water system is in operation to ensure a dry surface for application. Then, the insulation must be finished with an outer jacket that includes a *vapor barrier* to prevent moisture migration through the insulation and internal condensation. The most common vapor barrier consists of a kraft paper and aluminum foil laminate, reinforced with fiberglass threads (called *foil scrim and kraft* or FSK). Preformed glass fiber insulation with a factory-applied *all service jacket* will include the required vapor barrier.

3.2.2. Water Expansion and Air Removal

Water expands and contracts when heated and cooled in almost direct proportion with the temperature change. Since water is incompressible, a lack of expansion space in a closed piping system means that any volume increase will cause a pressure increase that may result in mechanical damage to system components. The most common way to accommodate water volume changes in a chilled water system is the use an *air cushion compression tank*, as shown in Figure 3.2.

To determine the size required for a compression tank, Eq. (3.1) can be used.

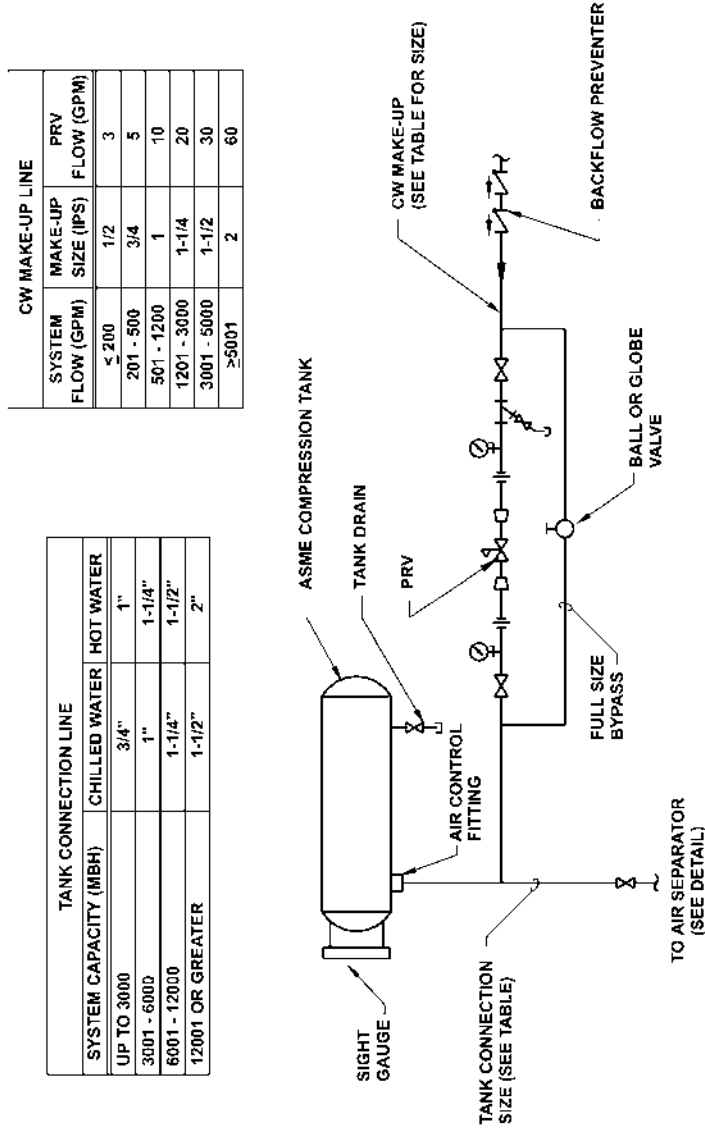
$$V_t = (E_w - E_p - 0.02)V_s / [(P_a/P_f) - (P_a/P_o)] \quad (3.1)$$

where V_t is the compression tank volume (gal); $E_w - E_p$, the unit expansion of the system (typically 1% for chilled water systems); V_s , the volume of system (gal); P_a , the atmospheric pressure (14.7 psia); P_f , the initial pressure in tank (usually atmospheric pressure); P_o , the final pressure or relief valve setting, psia (typically 100 psig or 114.7 psia).

The system volume, V_s , can be computed by adding the piping volume to the volume of water in the chiller(s) and coils. The water volume in the piping can be computed using the data from Table 3.4 and the lengths of each size of pipe in the chilled water system. The manufacturer(s) can provide chiller and cooling coil water volumes.

As water is heated or cooled, entrained air is released or absorbed in proportion to its temperature and pressure. To remove air from chilled water piping systems, an *inline tangential air separator*, as shown in Figure 3.3, is used. In the separator, the water velocity is reduced to less than 0.5 ft/sec, which allows the entrained air to separate from the water. The tangential flow pattern in the separator creates a low pressure vortex in the center where the entrained air can collect and rise through connecting piping to the compression tank above.

Air separators are sold with or without integral strainers. Since a strainer in a piping system is designed to filter and hold solids (scale, dirt, etc.), the separator strainer, coupled with the low water velocity, is the point in the chilled water piping system where “sludge” will tend to collect. However, most owners are



TANK CONNECTION LINE		
SYSTEM CAPACITY (MBH)	CHILLED WATER	HOT WATER
UP TO 3000	3/4"	1"
3001 - 6000	1"	1-1/4"
6001 - 12000	1-1/4"	1-1/2"
12001 OR GREATER	1-1/2"	2"

CW MAKE-UP LINE		
SYSTEM FLOW (GPM)	MAKE-UP SIZE (IPS)	PRV FLOW (GPM)
≤ 200	1/2	3
201 - 500	3/4	5
501 - 1200	1	10
1201 - 3000	1-1/4	20
3001 - 5000	1-1/2	30
≥ 5001	2	60

FIGURE 3.2. Compression tank installation and piping.

TABLE 3.4. Average Water Volume in Piping

Pipe size (in.)	Outside surface area (sf/lf)	Water volume (gallons/lf)
1/2	0.221	0.016
3/4	0.275	0.045
1	0.344	0.078
1-1/4	0.435	0.106
1-1/2	0.497	0.174
2	0.622	0.249
2-1/2	0.753	0.384
3	0.916	0.514
4	1.18	0.661
6	1.73	1.501
8	2.26	2.599
10	2.81	4.096
12	3.37	5.875
14	3.93	7.163
16	4.44	9.489
18	4.71	12.04
20	5.24	15.01
24	6.28	22.11

unaware that their separator contains a strainer that must be routinely opened and cleaned. This maintenance item is difficult and results in significant water loss.

Since there are other strainers in the system (usually located at the pumps) that are designed for routine maintenance, a strainer in the separator is both superfluous and an unnecessary maintenance burden. It is recommended that air separators without integral strainers be used.

3.2.3. Water Treatment

Chilled water systems are “closed recirculating water” systems. For water treatment, closed systems have many advantages.

1. There is no loss of water in the system (except when a leak occurs) and, thus, no need for make-up water. Therefore, deposition or scaling is not a problem.
2. Once filled and entrained air is removed, the closed system creates an anaerobic environment that eliminates biological fouling as a problem.
3. Finally, closed systems reduce corrosion problems because the water is not continuously saturated with oxygen (an oxidizer) as in open systems. The low temperatures inherent with chilled water systems further reduces the potential for corrosion.

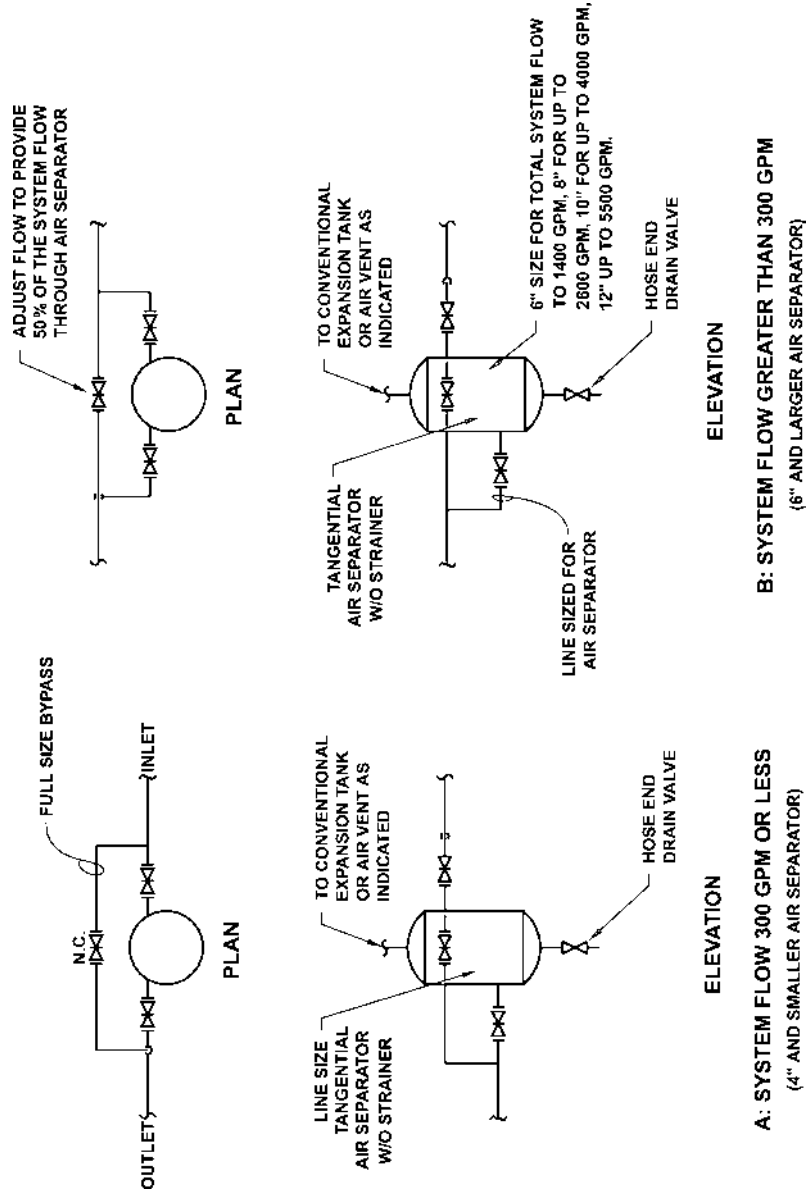


FIGURE 3.3. Tangential air separator installation and piping.

Water treatment to eliminate any potential for corrosion is required only when the chilled water system is initially filled with water, or when it is drained and re-filled for maintenance, repair, or modification.

Corrosion in a closed system can occur due to oxygen pitting, galvanic action, and/or crevice attack. To prevent these conditions, the “shot feed” method of chemical treatment is used. With this method, a bypass chemical feeder, as shown in Figure 3.4 is used to add treatment chemicals to the system in a one-time “shot” just after the system is filled with water. For the mixed metallurgy (steel and copper) systems typical for chilled water systems, a molybdate corrosion inhibitor is best. Recommended treatment limits are 200–300 ppm molybdate.

3.3. PUMP SELECTION AND PIPING

3.3.1. Pump Basics

Chilled water pumps are almost universally *centrifugal* pumps. A pump converts the energy provided by a prime mover, most often an electric motor, to energy within the liquid being pumped. This energy within the liquid is present as velocity energy, pressure energy, static elevation energy, or a combination of two or more of these. The rotating element of a centrifugal pump, which is turned by the prime mover, is called the *impeller*. The liquid being pumped surrounds the impeller, being contained by the pump *casing*, and, as the impeller rotates, its motion imparts a rotating motion to the liquid, as shown in Figure 3.5. The entire pump assembly is illustrated in Figure 3.6.

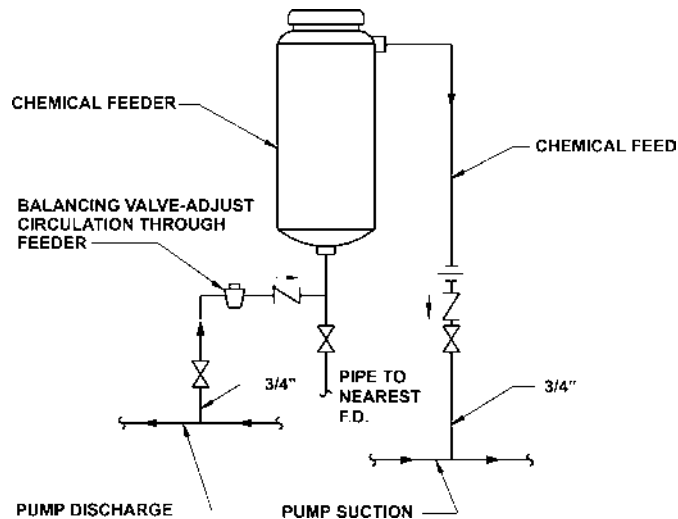


FIGURE 3.4. Bypass chemical shot feeder.

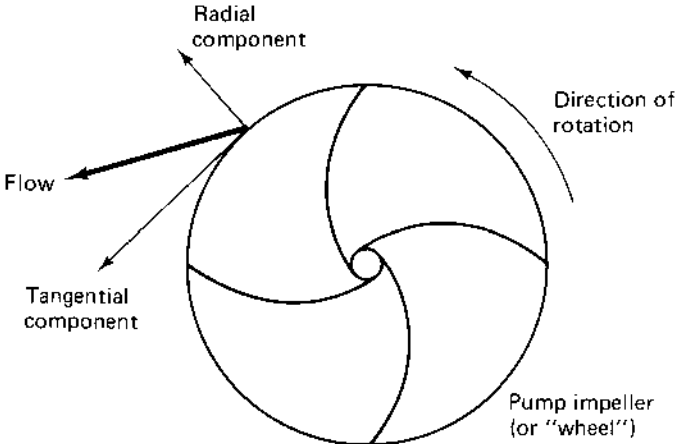


FIGURE 3.5. Operation of a centrifugal pump impeller.

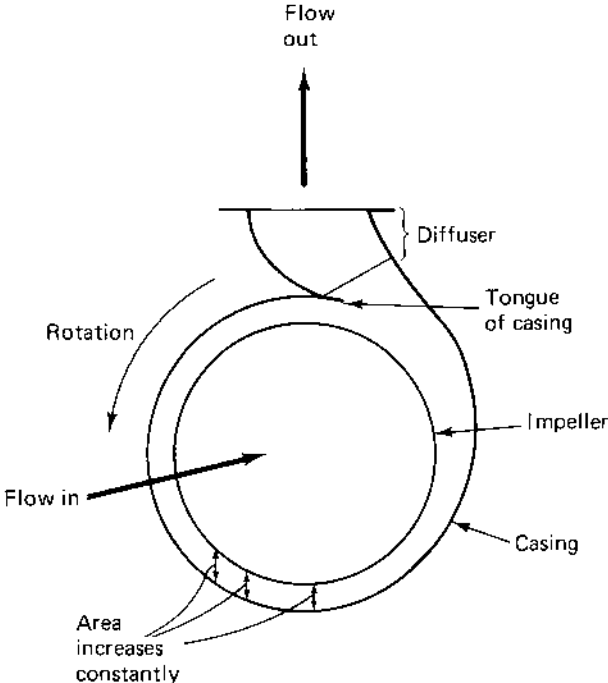


FIGURE 3.6. Centrifugal pump configuration.

Liquid enters the impeller at its center at low pressure and low velocity. As the liquid travels outward along the *vanes* of the impeller, it acquires velocity and an associated increased velocity pressure. But, when the liquid leaves the end of the vanes, as shown in Figure 3.5, it slows rapidly and the majority of the velocity pressure is converted to static pressure or *pump head*.

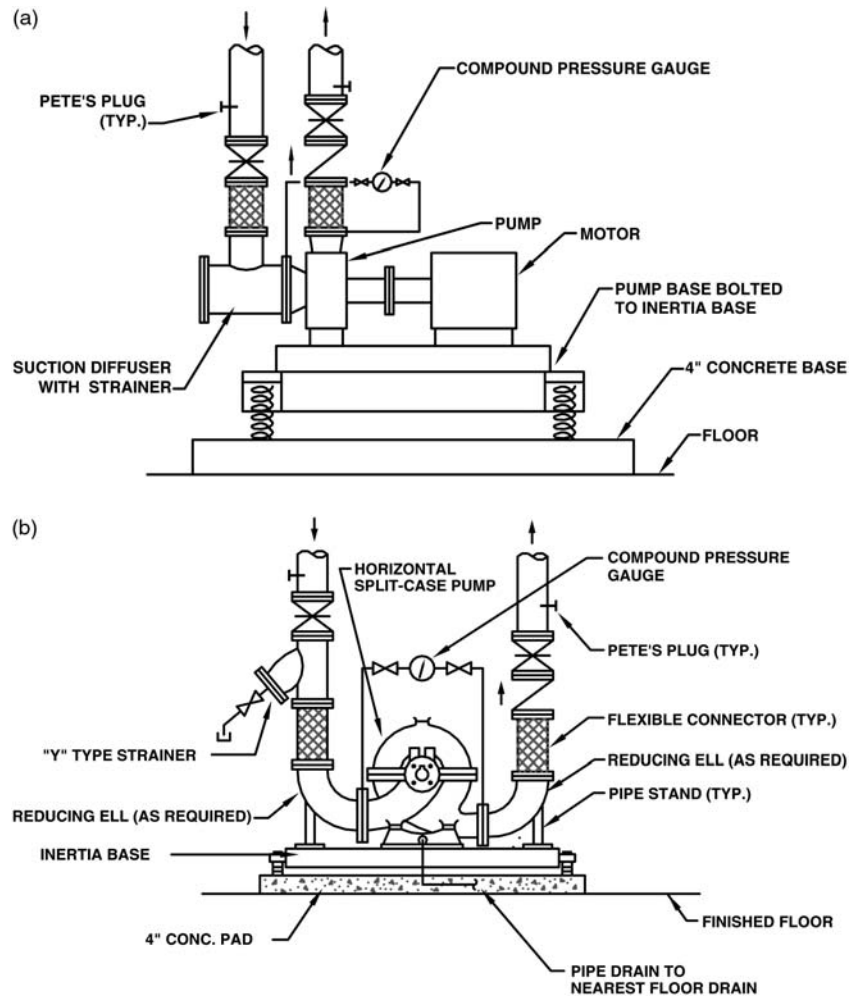


FIGURE 3.7. (a) Recommended end-suction (single suction) base-mounted pump installation. (b) Recommended horizontal split case (double suction) base-mounted pump installation. (c) Recommended vertical split case (double suction) base-mounted pump installation.

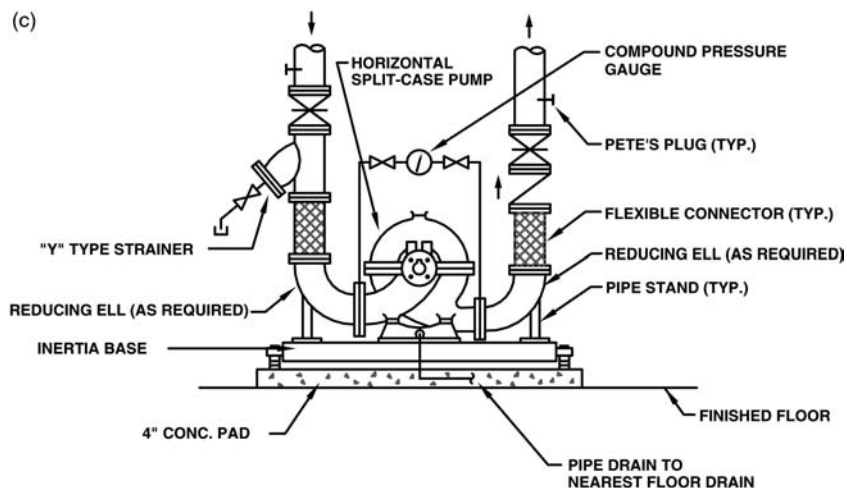


FIGURE 3.7. Continued.

The centrifugal pumps used in water systems are typically as follows:

Line-mounted pumps can be installed directly in the piping since the suction and discharge connections are arranged 180° apart. The motor and pump shafts, typically, are mounted vertically. The pump may be supported by the piping and/or by additional hangers or a foot stand.

Based-mounted pumps have the motor and pump shafts mounted horizontally, with both the pump and the motor bolted to a common frame or *base*. These pumps are available in three configurations, as illustrated in Figure 3.7: end-suction, horizontal split case, and vertical split case.

Pumps are selected on the basis of the required flow and head, the pump efficiency, and the application or location requirement. Line-mounted pumps are normally limited to about 600 gpm maximum flow (about 75 Hp), while end suction pumps have a maximum flow of about 1000 gpm (about 60 Hp). There is essentially no flow limit for horizontal split case, vertical split case, and vertical turbine pumps since these pumps can be fabricated as large as required.

3.3.2. Pump Head and Horsepower

The required flow rate for the chilled water pump(s) is determined from Eq. (1.1). The next step in defining the pump requirement is to compute the required pump *head*, the pressure loss that the pump must overcome at the required flow rate.

The pump head in a closed chilled water system is the sum of two pressure components in the piping system:

1. Head loss due to friction in the piping system. Water piping is typically sized utilizing Figure 3.8, based on a recommended design head loss factor of between 3 and 6 ft of water/100 ft of piping and a maximum flow velocity of 10 fps. Thus, a water flow of 1000 gpm would, from Figure 3.8, require an 8 in. pipe size, resulting in a friction head loss of 1.5 ft of water/100 ft of piping. Additionally, a conservative approach to account for losses in piping fittings and specialties, including elbows, tees, valves, strainers, air separators, etc., is to use 50% of the straight pipe pressure losses.

Thus, the friction head loss can be conservatively estimated from Eq. (3.2).

$$H = 1.5(L/100)F \quad (3.2)$$

where H is the head loss due to friction, ft of water; L , the piping length, ft; and F , the friction head loss factor from Figure 3.8, ft of water/100 ft of pipe.

2. The pressure loss through the chiller evaporator, cooling coils, control valves, and piping fittings and specialties must also be included. For the chiller evaporator and cooling coils, the pressure loss at design flow can be provided by the manufacturer. Control valve losses are approximately 5 psig or 13 ft (see Chap. 4).

The required brake horsepower for a water pump can be estimated using Eq. (3.3).

$$\text{BHP} = (\text{THD} \times F) / (3960 \times \text{Eff}) \quad (3.3)$$

where BHP is the pump brake horsepower; THD, the total pump head, ft. of water column; F , the water flow rate, gpm; Eff, the (typical) pump efficiency: vertical split case—0.81, horizontal split case—0.82, end suction—0.70, inline—0.70, and vertical turbine—0.78.

3.3.3. Variable Flow Pumping

Variable frequency drives (VFDs) are applied to chilled pumps to create variable flow pumping for primary–secondary and variable primary flow configurations.

Pump motor speed (rpm) is defined by Eq. (3.4):

$$\text{RPM} = F(120/\text{Poles}) \quad (4)$$

where RPM is the motor speed, revolutions/min; F , the electrical frequency, 0–60 Hz; and Poles, the number of motor poles (2–8).

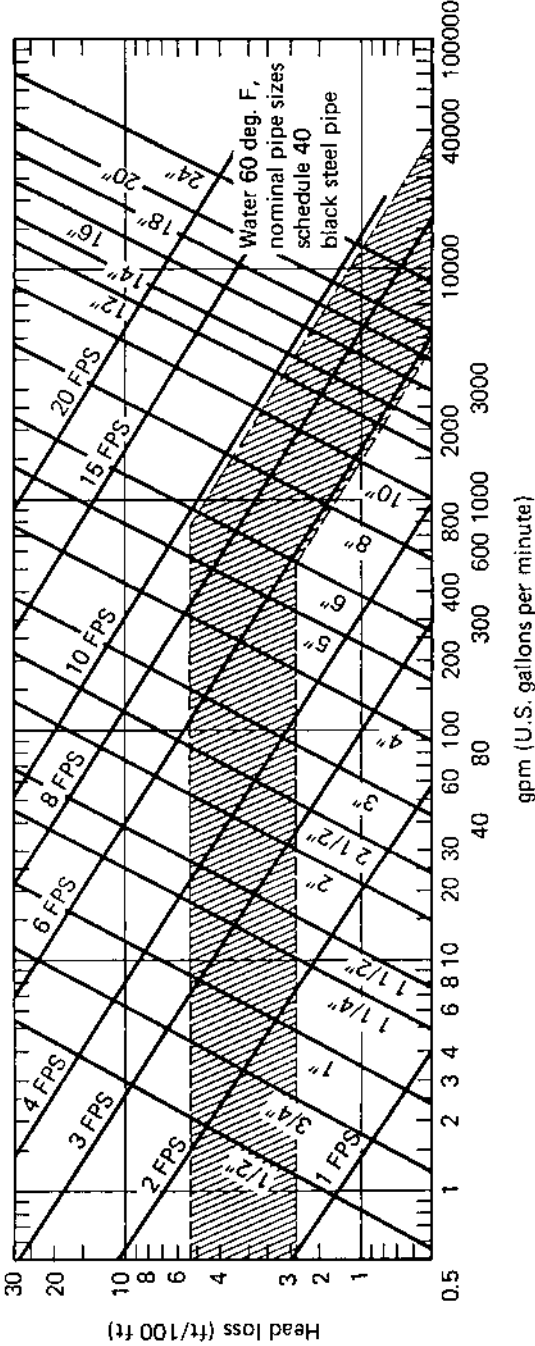


FIGURE 3.8. Friction loss for water in schedule 40 commercial steel pipe.

TABLE 3.5. Motor Synchronous Speed

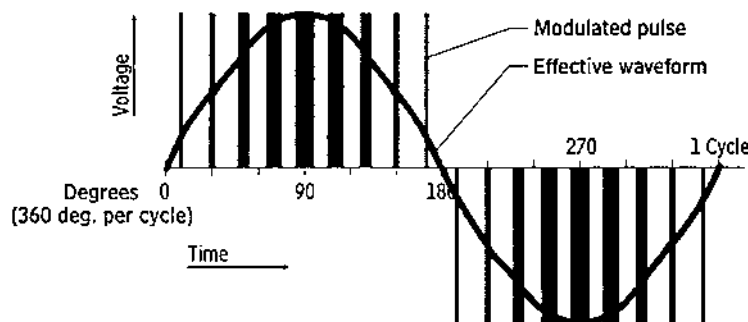
Number of poles	Synchronous speed (RPM)
2	3600
4	1800
6	1200
8	900

At full or *synchronous* speed at 60 Hz, the motor rpm is defined as by Table 3.5.

There are three major VFD designs commonly used: pulse width modulation (PWM), current source inverter (CSI), and variable voltage inverter (VVI). For HVAC applications, the vast majority of drives are the PWM type. These drives are reliable, efficient, affordable, and readily available from a number of manufacturers.

At 60 Hz, AC electrical service produces a sine wave of voltage vs. time. To vary motor speed, the PWM VFD simulates a sine wave to supply the motor with various “time widths” of voltage that, when averaged together over the length of the cycle, looks like a sine wave to the motor. This is illustrated in Figure 3.9.

The typical PWM VFD consists of two major components: a *rectifier* converts the 60 Hz AC input to DC output to an *inverter* that converts the DC back to AC output at a controlled frequency. For the motor to supply constant torque, the output voltage is varied with the output frequency to maintain a constant relationship between the two (7.6 V/Hz for a 460 V motor and 3.8 V/Hz for a 230 V motor).

**FIGURE 3.9.** Pulse width modulation as a frequency control method.

Efficiency of the PWM VFD is 92–96 + %. The VFD contains a solid-state reduced voltage motor starter and starts the motor at low speed to soft load the system.

It is important that each VFD be provided with the following:

1. *Main power disconnect ahead of drive*—If the motor disconnect switch is located between the drive and the motor, the drive can be destroyed if the disconnect is closed with the motor already spinning. The VFD will try to pull the motor down to a low, soft-start frequency, which can result in high current and an overload on the drive. This means that the VFD must be located close to the motor (to comply with National Electric Code requirements).
2. *Bypass switching*—In the event of VFD failure, an integral bypass switch, either manual or automatic, will allow the motor to be operated at full speed.

4

Chiller Controls

4.1. START-UP CONTROL

There are two basic methods used for controlling the start-up of a chilled water system:

1. The most common method is “manual” initiation. With this method, the facility operating staff makes the decision to start the system on the basis of the time of year, outdoor temperature, and/or the number of “hot” complaints received from the building occupants. This method is widely used in northern climates that have more distinctly separate heating and cooling seasons.
2. Outdoor temperature can be the trigger for starting a chilled water system, particularly if airside economizer systems are used in the facility. With economizers, outdoor air will satisfy the cooling requirement with the temperature is at or below the air-handling units’ discharge temperature setpoint, usually about 55°F. This temperature, then, is set as the “change-over” temperature and the chilled water system is started with the outdoor temperature rises above this setpoint.

Starting a chilled water system means, first of all, starting the chilled water distribution pumps. After that, the chiller will start under its internal controls if the chilled water supply temperature is above its setpoint condition. First, a

water-cooled chiller will start its condenser water pump. Then, if flow of *both* chilled water and condenser water is “proven” by flow switches (preferably, differential pressure type), the chiller will start.

Aside from the flow switches, every chiller is equipped with basic operating safety controls to protect the refrigeration machine from damage:

1. Low refrigerant temperature
2. Low chilled water temperature
3. High condensing pressure
4. Low oil pressure

In the event that any of these conditions exist, the chiller will shut down and require manual investigation and reset before operation can resume.

For rotary compressor chillers, there are typically two additional safety cutouts:

1. High motor winding temperature
2. Motor overload (high amps)

4.2. CAPACITY CONTROL

Modern water chillers are normally provided with digital electronic controls designed and integrated by the chiller manufacturer. In addition to the operating safety elements outlined in the Section 4.1, these controls are used to provide capacity control based on maintaining a supply chilled water temperature setpoint.

4.2.1. Refrigerant Flow Control

For the vast majority of water chillers, capacity control means controlling the refrigerant flow rate through the evaporator. Depending on the type of compressor used, several methods are applied:

1. *Reciprocating Compressors*—Primary refrigerant flow is controlled by the *expansion valve* that responds to the temperature of the refrigerant gas leaving the evaporator to maintain setpoint. The throttling action of the expansion valve causes a pressure increase in the system and the compressor must then reduce its refrigerant flow rate to maintain its discharge pressure setpoint.

The most common methods of reducing refrigerant flow rate and capacity in reciprocating compressors are by opening suction valves, bypassing refrigerant gas within the compressor, or bypassing refrigerant gas flow externally to the compressor.

With the first method, called *unloading*, external actuators can hold the suction valves, on one or more compressor cylinders, open.

Thus, no compression can take place in these cylinders and the gas flow rate through them is reduced to zero.

With the other approach, called *hot gas bypass*, a solenoid valve on the high pressure discharge on one or more cylinders can open and divert the refrigerant flow back to the suction side of the cylinder. This effectively reduces the pressure differential or “lift” produced by the cylinder and reduces the refrigerant gas flow rate from the evaporator.

Unloading occurs in distinct steps based on the number of cylinders in each compressor and number of compressors in each chiller. For a four-cylinder compressor, there are four stages (or steps) of capacity control, 25–50–75–100%. If there are two compressors in the machine, this yields a total of eight steps of capacity control. Obviously, the greater the number of compressors and the greater the number of cylinders in each compressor, the “smoother” the capacity control line.

2. *Rotary Screw Compressors*—Since the rotary screw compressor is a positive displacement compressor, suction throttling can reduce the refrigerant gas flow into the compressor. A modulating control method is desirable in order to produce essentially infinite capacity adjustment between the minimum and maximum flow rates and capacities.

A *slide valve* is a hot gas bypass control valve with a sliding action arranged parallel to the rotor bores and located at the high pressure discharge of the compressor. The valve is then modulated to return a variable portion of the discharge gas back to the compressor suction. This valve, in addition to controlling capacity, also adjusts the location of the compressor discharge port as the load changes. This “axial discharge port” then provides good part load performance without reducing full-load efficiency.

3. *Centrifugal Compressors*—Refrigerant gas flow into a centrifugal compressor can be controlled by adjustable inlet guide vanes, or preswirl or *prerotation vanes*, just as with a centrifugal fan. These vanes are arranged radially at the inlet to the compressor impeller and can be opened and closed by an external operator.

Since each vane rotates around an axial shaft, they affect the direction of the flow entering the impeller. When the inlet vanes are fully open, gas enters the impeller at 90° to the impeller. However, as the inlet vanes begin to close, flow enters the impeller at an increasing angle in the direction of the radial flow along the impeller blades. This “preswirl” condition reduces the ability of the impeller to impart kinetic energy to the refrigerant gas, thus reducing the flow rate.

Inlet vanes do not produce a pressure drop or “throttling” to reduce refrigerant flow through the centrifugal compressor.

A minimum volumetric rate flow through a centrifugal compressor is required for stable operation. If the volumetric flow rate falls below this minimum, the compressor will become unstable and *surge*. When this happens, the refrigerant flows alternatively backwards and forwards through the compressor, producing noise and poor operation. Extended operation under surge conditions will cause mechanical damage to the compressor. The surge envelope will vary from compressor to compressor but usually occurs when the volumetric flow rate is reduced by 40–60%.

To prevent surge from occurring, internal hot gas bypass may be used to allow capacity to be reduced while maintaining sufficient gas flow through the compressor. (This condition, along with increasing windage losses and motor inefficiencies, accounts for the part load performance characteristics shown in Fig. 1.7.)

In recent years, capacity control of centrifugal chillers by speed control has been applied. Here, a large variable frequency drive is applied to the chiller motor and the motor speed modulated to control capacity. Generally, speed control improves efficiency over inlet vane control down to about 55% of rated capacity, while inlet vane control is more efficient below 55% of rated capacity.

Compressor speed is directly related to capacity, but the pressure (lift) produced by the compressor is a function of the square of the speed. This may produce unsatisfactory operation and surge, requiring the use of hot gas bypass, as the chiller unloads under speed control.

Adding speed control significantly increases the price of the chiller and this option must be carefully evaluated to determine if this concept is cost-effective for a given cooling load profile.

4.2.2. Sequencing Multiple Chillers

Where multiple chillers are utilized, these chillers must be sequenced on and off to meet the imposed chilled water system load efficiently. To prevent rapid stopping and starting, called *short cycling*, a time delay of about 30 min is required between the stopping and starting of an individual chiller. Additionally, to equalize the run times for multiple chillers, a lead-lag or “rotation” sequence should be implemented to change the order of stopping and starting the chillers from one time to the next.

1. For constant flow chilled water systems, the imposed cooling load is indicated by the return chilled water temperature, assuming the supply chilled water temperature is maintained at setpoint.

For example, consider a system with a 44°F supply chilled water temperature, a 12°F range, and three equally sized chillers arranged in

parallel. When the return water temperature is at 56°F (or higher), all three chillers are required. However, as the imposed cooling load decreases, the return water temperature will also decrease and, when the return temperature falls to 52°F, one chiller can be stopped. As the load continues to decrease and the return temperature falls to 48°F, a second chiller can be stopped.

As the cooling load increases, the chillers can be started at these same temperature conditions.

2. With primary–secondary chilled water systems, the flow in the secondary loop varies in proportion to the imposed cooling load since the temperature range in this loop is maintained at a fixed setpoint. Flow in the primary loop varies with the number of chillers and primary chilled water pumps in use.

As discussed in Chap. 2, the flow rate in the primary loop must always be equal to or greater than the flow in the secondary loop to prevent blending of system return water flow with the supply water flow, resulting in an elevated chilled water supply temperature. Thus, control of the chillers stopping and starting can be based on the primary return loop temperature downstream of the common piping or bridge.

Again, consider a system with a 44°F supply chilled water temperature, a 12°F range, and three equally sized chillers arranged in a primary–secondary configuration. At full cooling load, the flow rates in the primary and secondary loops are exactly equal and the temperature in the return section of the primary loop is equal to the return temperature from the secondary loop, 56°F.

However, as the cooling load falls, the secondary flow rate decreases. Since the primary loop flow rate now exceeds the secondary loop flow rate, chilled water from the supply side of primary loop mixes with return water from the secondary loop to produce a reduced temperature in the return side of the primary loop. When this temperature falls to 52°F, one chiller can be stopped.

When a chiller is stopped, the flow rate in the primary loop is reduced by one-third and now again equals the secondary flow rate. Blending is eliminated and the temperature in the return side of the primary loop returns to 56°F.

If the cooling load continues to fall, the temperature in the return side of the primary loop will again begin to fall as blending is reinitiated. When it falls to 52°F, the second chiller can be stopped.

As the cooling load increases, the flow in the secondary loop will begin to exceed the flow in the primary loop. Under these conditions, the temperature in the primary loop will rise to above 56°F, which indicates that a chiller must be started.

The general algorithm for control of chiller sequencing in a primary–secondary system made up of any number of equally sized chiller modules (a chiller and a primary chilled water pump) can be stated as follows:

$T_1 = T_c + T_d$, where T_c = the system supply chilled water temperature setpoint and T_d = the system design temperature range.

If $(T_r + 0.5)$, where T_r is the primary loop return water temperature, is greater than T_1 for at least 30 min, start a chiller.

$T_2 = T_d/N$, where T_2 is the range assigned to each of N equally-sized chillers.

If $(T_r - 0.5)$ is less than $(T_1 - T_2)$ for at least 30 min, stop a chiller.

3. Sequencing chillers in a variable primary configuration is relatively complex. Each chiller must be equipped with a high quality flow meter that is used to measure flow through each chiller evaporator.

Again, consider a system with a 44°F supply chilled water temperature, a 12°F range, and three equally sized chillers. At full load, all chillers are operating at full flow, chilled water is supplied to the coils at 44°F and the return temperature is 56°F.

As the cooling load falls, the pump speed on each chiller reduces to deliver less flow and maintain the return water temperature setpoint of 56°F. Once flow through all three chillers is reduced to 67% of design flow, one chiller and pump can be stopped. Once the flow through the remaining chillers is reduced to 50% of design flow, the second chiller can be stopped.

As cooling load increases, the chillers can be started at these same flow conditions.

4.2.3. Chilled Water Supply Temperature Reset

Chillers use less energy as the supply chilled water temperature is indexed upward. Control of this indexing must, however, take into account both sensible and latent cooling loads as independent variables:

1. *Sensible Cooling Load*—Chilled water supply temperature setpoint can be indexed upward in the same proportion that the sensible load decreases.
2. *Latent Cooling Load*—However, often the sensible cooling load will reduce faster than the latent cooling load. If the chilled water

temperature setpoint is indexed upward solely on the basis of decreased sensible cooling load, space humidity may increase to unacceptable levels.

To properly set the chilled water supply temperature setpoint, temperature and humidity conditions in each control zone must be evaluated and the chilled water setpoint indexed upward only while *both* conditions remain acceptable.

4.3. VARIABLE FLOW PUMPING CONTROL

Variable flow pumping is used in both primary–secondary and variable primary flow configurations of chilled water systems. The starting point of variable flow control is the cooling coil control valve. This must be a 2-way valve that throttles flow through the coil as the cooling load decreases.

Water coils are arranged for counterflow configuration and the final temperature of the leaving chilled water may exceed the outlet temperature of the air leaving the coil. This is particularly important for chilled water systems that have small temperature-difference requirements. Another advantage of the counterflow configuration is that less surface area is required for a given rate of heat transfer.

The overall heat transfer by the coil, Q , is determined by the mass flow rates of the two media, the surface area, the temperature gradients, and the overall coefficient of heat transfer, U , as defined by Eq. (4.1).

$$Q = -M_h C_{p,h} dT_h = M_c C_{p,c} dT_c = U dA(T_h - T_c) \quad (4.1)$$

where M = mass flow rate, T = temperature of the fluids, hot (h) and cold (c), respectively, dA = differential area of the coil under study.

Integrating Eq. (4.1) over the entire area of the coil yields

$$Q = UA(TD_i - TD_o) / \ln(TD_i / TD_o) \quad (4.2)$$

where $TD = T_h - T_c$ at the inlet (i) and outlet (o) conditions, respectively. The temperature term in Eq. (4.2) is called the *logarithmic mean overall temperature difference* (LMTD).

Since U is defined by the design of the coil and the materials used in construction, which is fairly consistent between manufacturers, the basic performance of any coil is defined by the coil surface area and the temperatures required, or LMTD. If large temperature differences are available, as for most heating applications, the required coil area is small. For small temperature differences, as for chilled water systems, the coil area is large.

Water coil surface area is defined by the number of rows of tubes and the spacing, or density, of the fins (in terms of fins/inch of coil width). Thus, a heating

coil may have 1 or 2 rows and 8–10 fins/in., but a cooling coil will often have 6–8 rows and up to 16 fins/in.

The capacity of any water coil is controlled by modulating the flow of liquid through the coil. However, as flow is reduced, the capacity of the coil is not reduced linearly. To compensate for this nonlinearity, *equal percentage* characteristic control valves are utilized, resulting in a linear relationship between coil capacity and valve stroke or percent open, as shown in Figure 4.1.

These control valves must be selected on the basis of the maximum design flow through the coil and a “wide open” pressure drop equal to or greater than the pressure drop through the coil. Additionally, the valves must be rated for tight shutoff against the maximum system pressure that is developed, which, for variable flow systems, is the pump “cut-off” pressure, the pressure the pump will develop at zero flow.

As load is reduced at a cooling coil, the control valve throttles flow to the coil to match flow capacity to the coil load, as follows:

1. Secondary chilled water pumps in a primary–secondary configuration can reduce their flow rate by either increasing head (forcing a flow reduction along the pump curve) or decreasing pump speed. The second method is more efficient and produces significant energy savings compared to the first. Thus, except for very small systems (less than 10 hp), VFD’s are used to modulate pump speed in response to flow needs.

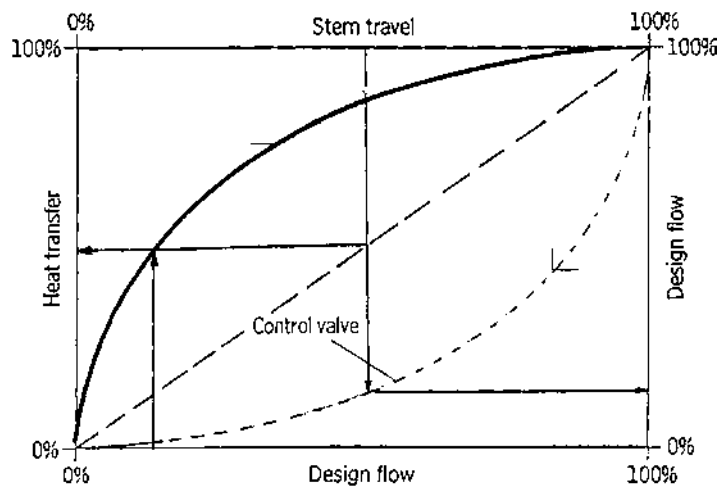


FIGURE 4.1. Coil capacity control with equal percentage control valve.

There are two methods to control pump speed:

A pressure sensor, located sufficiently downstream from the pump to be sensitive to control valve action, can respond to the pressure increase produced by throttling control valves by reducing the pump speed and, consequently, flow rate and pressure.

Pressure control represents an attempt to respond to a symptom rather than the disease. While pressure does change with flow changes, the change is not linear (pressure changes as the square of flow), multiple valves of different sizes may have different pressure/flow relationships, and the resulting pressure change in a larger system may have not real relationship to the cooling load. The basis of design for a primary–secondary system is maintain a fixed chilled water supply temperature and a fixed temperature range in the secondary loop. If, by chiller capacity control and proper sequencing of chillers, the chilled water supply temperature is maintained at setpoint, then the design range can be used to establish a return temperature setpoint to be used to control pump speed.

2. Variable flow control in a variable primary configuration is essentially the same as for the secondary pumps in a primary–secondary configuration.

As a pump speed is reduced, both the flow rate *and* pressure are reduced. Ultimately, the available pressure at requested flow rates may not be sufficient to ensure water flow to the more remote coils and, thus, these coils are “starved” and they fail to cool. To prevent this problem, one or more *differential pressure* sensors must be installed across the most remote flow circuit(s) and a minimum pressure setpoint determined for each circuit. Then, as the pump speed is reduced, if the pressure falls below the required setpoint in any circuit, further reduction of pump speed is inhibited. At this point, the system becomes essentially constant flow.

For variable primary flow systems, there is also a minimum flow requirement through the chiller, equal to 3 fps or about 30% of design flow. A *bypass control valve* must be modulated open when the flow rate through the last operating chiller is reduced to its minimum level, as indicated by the chiller flow meter.

5

Thermal Storage

5.1. ECONOMICS OF THERMAL STORAGE

The goal for thermal storage in a chilled water system is to reduce the demand for purchased cooling energy during on-peak periods by shifting cooling energy consumption to off-peak periods. This reduces electrical charges, particularly demand charges, on a year around basis.

Aside from shifting of cooling energy consumption from the on-peak to the off-peak period, there *may* be some reduction in overall cooling energy consumption with thermal energy. Every thermal energy system will have losses. Water and ice storage systems have heat gains that increase the cooling energy consumption. Water systems have thermal mixing problems that require more cooling be stored than can actually be used. Ice systems, due to their reduced temperatures, require greater compressor energy than an equivalent water storage system. All of these losses may or may not be offset by improved chiller COP due to reduced condensing temperatures during off-peak periods when lower outdoor temperatures prevail.

Control of the thermal storage system is critical to ensure that enough cooling energy is stored during the off-peak period to offset the shortfall in chiller capacity during the on-peak period. Conversely, it is a waste of energy to store more cooling than can be used during the following on-peak period.

The analysis of thermal storage economics requires that an accurate peak 24-hr cooling load profile be developed. Basically, this consists of developing, for the cooling design day, the outdoor temperature and imposed cooling load at each hour. Then, the day must be divided into the on-peak and off-peak periods defined by the applicable electric rate schedule.

The total daily cooling requirement must still be met by the chiller, but, utilizing thermal storage, the chiller runs for 24 hr, not 12–14 hr. The chiller, then, can be sized on the basis of the “split” between the energy required for *charging* during the off-peak period vs. the energy consumed in *discharging* during the on-peak period, as shown in Figure 5.1.

Charging represents the off-peak period production of cooling energy by the chiller that is stored, while discharging is the use of that stored energy during the on-peak period. The amount of cooling required during the on-peak discharge, divided by the amount of cooling energy stored during the off-peak charging, is defined as the *storage efficiency*, typically 0.95 or greater for ice systems and 0.90–0.95 for water systems.

Selecting a chiller and the optimum amount of storage requires an evaluation of all the cost factors under different chiller capacity/storage ratios and selecting the combination of chiller and storage that yields the best economic performance. To illustrate this process, consider the following example: A large building has a peak cooling load of 500 ton and a design day cooling load profile as shown in Table 5.1. The building cooling system is operated from 6:00 AM to

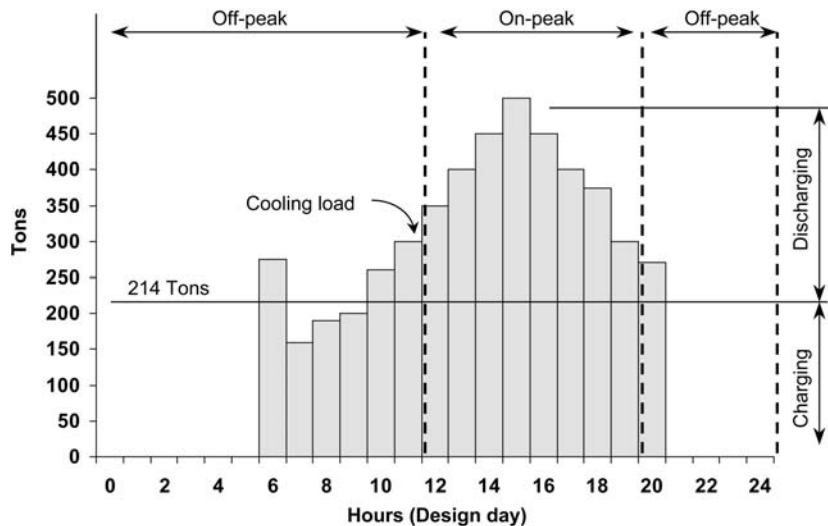


FIGURE 5.1. Typical design day chilled water load profile.

TABLE 5.1. Example Design Day Cooling Load Profile

Hour	O.A. temperature	Cooling load (tons)
1	78	System off
2	76	System off
3	74	System off
4	76	System off
5	77	System off
6	78	275
7	80	160
8	81	190
9	82	200
10	84	160
11	86	300
12	88	350
13	90	400
14	92	450
15	93	500
16	94	450
17	93	400
18	92	375
19	90	300
20	86	270
21	84	System off
22	82	System off
23	81	System off
24	80	System off
Total		4880
Total on-peak		3495
Total off-peak		1385

7:00 PM, resulting in a total daily cooling requirement of 4,880 ton-hr, 3,495 of which occur during the on-peak period defined by the electrical rate as 12:00 noon to 8:00 PM.

A conventional system without thermal storage, Option 1, would produce 4,880 ton-hr of cooling by using a chiller without any storage. If the average performance of the chiller is 0.6 kW/ton based on 85°F water entering the condenser, the energy consumption for cooling, including 0.2 kW/ton for pumps and the cooling tower, would be 3,904 kWh, 2,876 of which are consumed during the on-peak period. The on-peak demand for the 500 ton chiller and its auxiliaries is 400 kW.

The next possibility is to minimize the use of on-peak energy by doing all cooling off-peak, Option 2. This is sometimes called the “full storage” option. Thus,

the chiller must produce 4,880 ton-hr, plus storage inefficiencies, over a 16 hr period (8:01 PM through 11:59 AM). Using 0.95 storage efficiency, the chiller size will be 321 ton and the storage capacity required is 3,784 ton-hr. Lower condenser water temperatures and resulting condensing temperatures during the off-peak period may reduce this to an average off-peak energy requirement of 0.5. The resulting daily off-peak cooling energy use, including 0.2 kW/ton for pumps and cooling tower, is 3,595 kWh. The on-peak energy consumption is reduced to only about 0.1 kW/ton for pumping. Thus, an on-peak demand of only 50 kW is incurred, with on-peak electrical consumption of only 400 kWh.

Option 3 is to “level the load” by selecting a combination of chiller capacity and storage such that the chiller would operate over the entire 24-hr design day at essentially full load. For each hour, the combination of chiller and storage must be sufficient to meet the imposed cooling load. If, during any hour, the chiller produces more cooling than that required to meet the imposed load, the additional cooling is stored for use later in the daily cycle.

Under this scheme, the chiller must produce the total cooling requirement, plus storage inefficiencies, over a 24-hr period. In this example, the total cooling requirement is 4,880 ton-hr. A chiller sized to meet this capacity, plus storage inefficiencies, would be 214 ton, with a storage capacity of 2,018 ton-hr. As shown in Table 5.2, the system performance results in on-peak demand and consumption of 171 kW and 1,368 kWh, respectively, while off-peak demand and consumption are 171 kW and 2,266 kWh, respectively.

The results of these three options are summarized in Table 5.3. The consumption and demand charges for each option would have to be evaluated and computed on an annual basis.

Another option that may be considered in locations with extremely high on-peak demand charges is the “demand limiting” option. With this option, storage is oversized so that the chiller can be operated at a reduced capacity during on-peak hours.

The next step in the analysis for each of these cases is to determine the capital costs for the chiller, cooling tower, pumps, piping, etc. Then, using simple payback (or a more sophisticated analysis), the economic performance of each option would be evaluated to determine the most cost-effective approach.

In general, the full storage option results in not only the greatest capital requirement, but also the greatest savings in electrical costs. The load leveling option reduces the capital requirements by minimizing both chiller and storage capacity. The demand limiting option has demand savings greater than the load leveling option, but lower than the full storage option.

There are economic risks associated with thermal storage. If the utility rate schedule changes, there may be a negative impact on the cost performance of thermal storage and it is imperative that a long-term contract be negotiated with the utility. Another economic risk is system failure during the peak period, which

TABLE 5.2. Example Design Day Cooling Energy Consumption Based on Load Leveling Option

Hour	O.A. temperature	Cooling load (ton)	Chiller cooling (ton)	Storage cooling ^a (ton)	Input energy (kW/ton)	Total kW
1	78	0	214	-214	0.6	128
2	76	0	214	-214	0.6	128
3	74	0	214	-214	0.6	128
4	76	0	214	-214	0.6	128
5	77	0	214	-214	0.6	128
6	78	275	214	+61	0.6	128
7	80	160	214	-54	0.6	128
8	81	190	214	-24	0.6	128
9	82	200	214	-14	0.7	150
10	84	260	214	+46	0.7	150
11	86	300	214	+86	0.8	171
12	88	350	214	+136	0.8	171
13	90	400	214	+186	0.8	171
14	92	450	214	+236	0.8	171
15	94	500	214	+286	0.8	171
16	93	450	214	+236	0.8	171
17	93	400	214	+186	0.8	171
18	92	375	214	+161	0.8	171
19	90	300	214	+86	0.8	171
20	86	270	214	+56	0.8	171
21	84	0	214	-214	0.7	150
22	82	0	214	-214	0.7	150
23	81	0	214	-214	0.7	150
24	80	0	214	-214	0.7	150
Total		4880	5136	-2018/+1701		1368 on-peak, 2266 off-peak

Note: Bold font represents on-peak period.
^a (-) indicates charging, (+) indicates discharging.

TABLE 5.3. Comparison of Cooling Thermal Storage Options

Result	Option 1	Option 2	Option 3
Chiller capacity, ton	500	321	214
Storage capacity, ton-hr	0	3782	2018
On-peak demand, kW	400	50	171
On-peak consumption, kWh	2876	400	1368
Off-peak demand, kW	280	280	171
Off-peak consumption, kWh	1028	3595	2266
Total consumption, kWh	3904	3995	3634

can eliminate the demand savings for an entire year. This, however, is only a risk if other, standby chillers are brought on line to provide cooling while the storage system is repaired. Again, the contract with the utility should allow a limited number of short-term demand increases with no significant rate penalty.

Utilities are experimenting with *real-time pricing* rate schedules, particularly in states that have implemented deregulation of their electric utilities. Under these rates, the cost of energy is based on the actual cost of energy production and/or power purchases by the utility on an hour-to-hour basis. Some authorities predict that these rates will damage the economic viability of thermal storage systems. Other experts point out that these rates will only impact control methods and require variable chiller use vs. storage use. Again, any method that increases the utility load factor reduces net costs to the utility and these savings can be passed on to users who contribute to achieving them.

5.2. AVAILABLE TECHNOLOGIES

There are three general thermal storage system technologies: water, ice, and eutectic salts. These technologies can vary significantly in terms of size, efficiency, reliability, and cost, as described in the following sections and summarized in Table 5.4.

5.2.1. Chilled Water Storage Systems

Chilled water storage systems use the sensible heat capacity of water, defined by its specific heat of 1 Btu/lb °F. These systems operate at temperature ranges compatible with both reciprocating and rotary compressor water chillers and are generally the most cost-effective method for thermal storage in larger systems (2000 ton-hr or more).

The lowest temperature at which chilled water can be stored in the liquid state is 32°F. However, from a practical point of view, water temperatures lower than about 36°F are difficult to produce with rotary compressor chillers. As a

TABLE 5.4. Comparison of Alternative Thermal Storage Technologies

Storage medium	Volume (cf/ton-hr)	Storage temperature (°F)	Discharge temperature (°F)	Advantages	Disadvantages
Chilled water	12–15	36–44	40–46	Can use existing chillers, stored water can be used for fire protection	Large storage volume, higher heat gains, difficult to maintain supply temperature setpoint
Ice	2.4–3.3	32	34–36	Low storage volume, high discharge rates, easy to maintain supply temperature setpoint	Poor chiller COP due to low temperature requirements, expansion problem, poor thermal conductivity of ice
Eutectic salts	6	47	48–50	Can use existing chillers	Relatively large storage volume, high chilled water supply temperature

result, the cooling storage capacity required is 12–15 ft³/ton-hr (about 100 gal/ton-hr). But, chilled water storage costs per unit volume decrease with tank size and heat gains per unit volume also decrease as the tank size increases.

The most difficult problem associated with water storage is maintaining the required chilled water supply temperature, particularly near the end of the discharge cycle, since any mixing of return water with supply water results in an elevated supply water temperature. To address this condition, several approaches are available:

1. *Multiple Tank Storage*—This method keeps return water from mixing with supply water. If there are n tanks, one tank is empty, making the storage volume $(n - 1)$ times the individual tank volume.

During charging, the tanks are filled one at a time with chilled water. During discharge, one tank at a time supplies chilled water and only after it is empty does return water enter the tank.

The obvious drawbacks to this scheme are the space requirements for multiple tanks, the reduction in storage efficiency $[(n - 1)/n]$ by having one empty tank, and the high heat gains due to increased tank surface area.

2. *Storage Tank with Siphon Baffles*—A single large tank may be divided into multiple sections by adding internal siphon baffles, as shown in Figure 5.2. Water is supplied from one end of the tank and returned to the other. Supply and return water mixing is reduced by the baffles and the difference in densities between the supply and return water.

Experience with these tanks has not been good and their use is not recommended unless the exact tank configuration has been tested before installation.

3. *Stratified Water Storage*—*Stratification* is a method of keeping warmer return water from mixing with colder supply water in a single tank. Water that is less dense tends to rise to the top of the tank, while denser water tends to fall to the bottom. Thus, supply water is removed from the bottom of the tank, while water is returned to the top of the tank.

However, the overall density difference between supply and return water at typical chilled water temperature ranges is only about 0.03%, so these tanks must be designed very carefully to prevent forced circulation, with the resulting mixing, as water flows into and out of the tanks.

Another condition must be considered: the density of water is greatest at 39.2°F. Therefore, cooling the supply water during the charging cycle to temperatures below 40°F is not recommended since there will be tendency for the colder water to rise, effectively destroying the stratification.

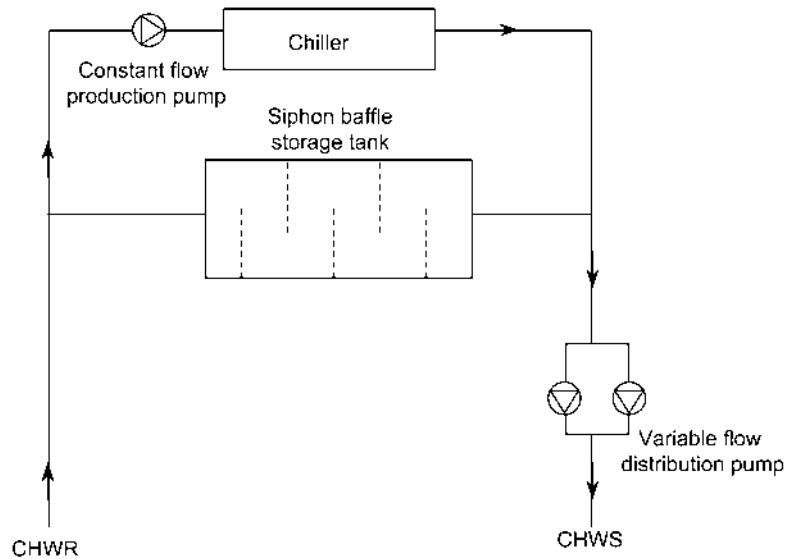


FIGURE 5.2. Chilled water storage tank with siphon baffles.

5.2.2. Ice Storage

Ice storage has two great advantages over chilled water storage. First, ice storage represents a *phase change* process with water absorbing or releasing 144 Btu/lb to melt or freeze at 32°F. Thus, ice storage systems require only about 20% of the storage volume of an equivalent water storage system. The second advantage is that ice melts at a constant temperature, making the delivery of a constant chilled water supply temperature very simple.

The major disadvantages to ice storage are the poor energy efficiency of the freezing process and the complexity of the ice storage systems themselves. These systems have relatively high cost and are most cost-effective only in smaller storage capacities (less than 1,000 ton-hr). In addition, due to the low temperatures, reciprocating compressor chillers are typically required, though multiple rotary compressor chillers arranged in a “cascade” can be applied.

Additional drawbacks to ice storage are two problems associated with ice production:

1. Water expands as it freezes, producing a highly destructive force that must be addressed by the ice storage equipment. Ice also exerts a buoyancy force that must be addressed by some types of ice production systems.

2. Ice has poor thermal conductivity. As ice forms on an evaporator surface, lower evaporator temperatures are required to freeze a greater thickness of ice.

There are a number of ice production and storage technologies currently available.

1. *Ice Shedders*—A simple ice storage system consists of an evaporator located above a tank. This “ice shedder” system, as shown schematically in Figure 5.3, is designed to form ice on the evaporator surface, then by mechanical means or by defrosting, separating the ice from the evaporator surface so it will fall into a tank. Chilled water can then circulated through the tank to serve the building cooling load.

Ice shedders aerate the water in the tank by pumping it continuously over the evaporator in an open configuration. Therefore, a heat exchanger is usually required to help isolate the chilled water system from the increased corrosion potential due to dissolved oxygen.

2. *External Melt Ice-on-Coil*—A simple approach to ice storage is to insert evaporator coils into a water tank and freeze the water around the coils during the charging cycle. During discharge, the water surrounding the evaporator coil and its ice charge is circulated through

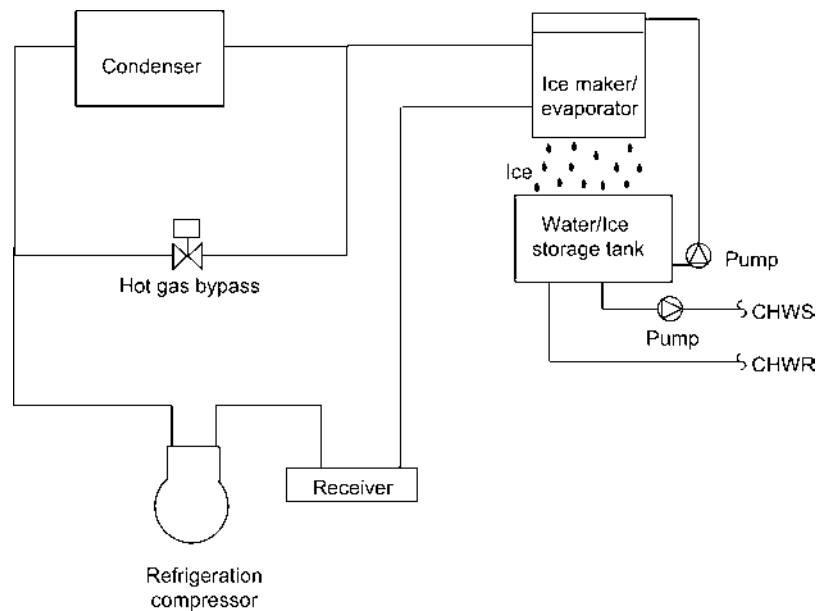


FIGURE 5.3. Ice shedder thermal storage system schematic.

the chilled water system to serve the building-cooling load. This system is illustrated schematically in Figure 5.4.

However, because of the poor thermal conductivity of water, there are limits to the thickness of ice that can be formed on the coil surface. As this thickness increases, the evaporator temperature must be reduced to continue the freezing process and this, in turn, reduces the chiller COP.

Another potential problem is *ice bridging*. To improve efficiency by reducing ice thickness, evaporator coils are closely spaced in the tank. However, if all the ice is not melted during the discharge cycle, ice may grow from one evaporator to another, bridging the separation and cutting off flow around these evaporators, reducing discharge efficiency.

Overall, these systems have a lower overall efficiency than other types of ice storage systems.

3. *Internal Melt Ice-on-Coil*—With this system, the freezing point of chilled water is lowered by adding ethylene glycol. During the charging cycle, the chilled water (sometimes called “brine”) is circulated through evaporator coils in water-filled tanks, and ice is formed on the coils’ outer surfaces. During discharge, the ice is melted by circulating warmer return chilled water through the coils, cooling the water.

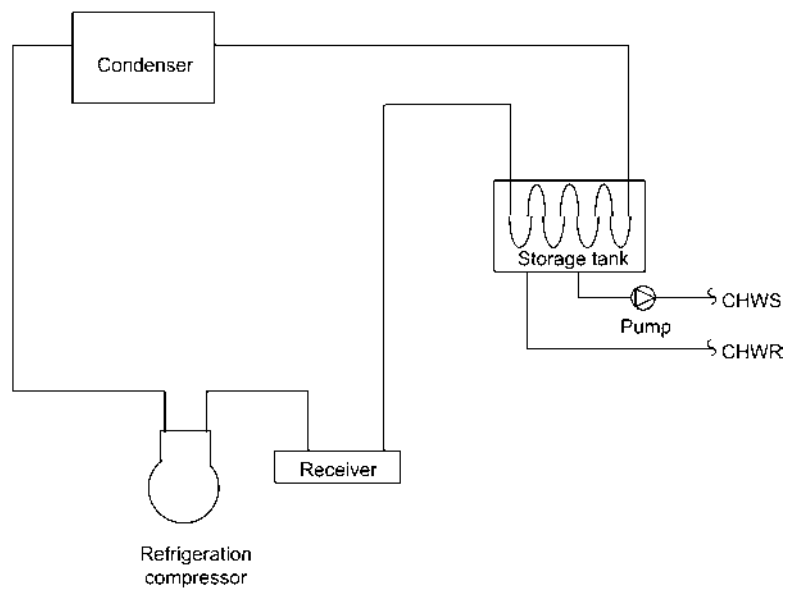


FIGURE 5.4. External melt coil freezing thermal storage system schematic.

This system avoids the problems of the external melt system and eliminates the potential corrosion problems associated with ice shedders. There are numerous commercially available packaged storage systems based on the internal melt concept on the market today.

To minimize the heat gain by the large number of tanks typically used with this technology, the tanks must be well insulated. Often, it is cost-effective to bury the tanks, leaving only their tops exposed, to reduce temperature gradients across the tank wall.

The basic operating modes of this technology is illustrated schematically in Figure 5.5.

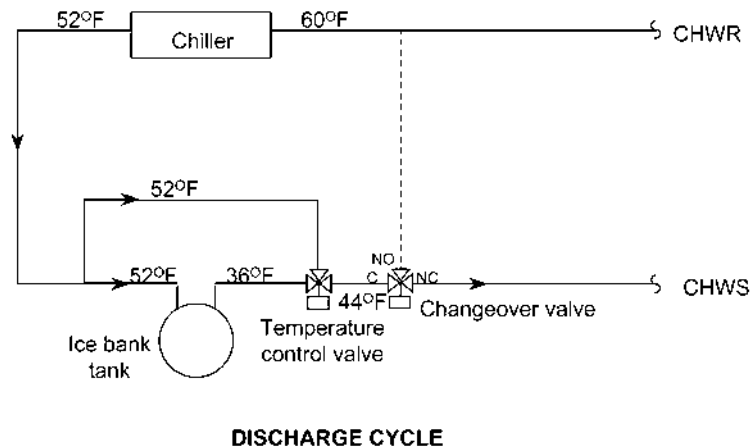
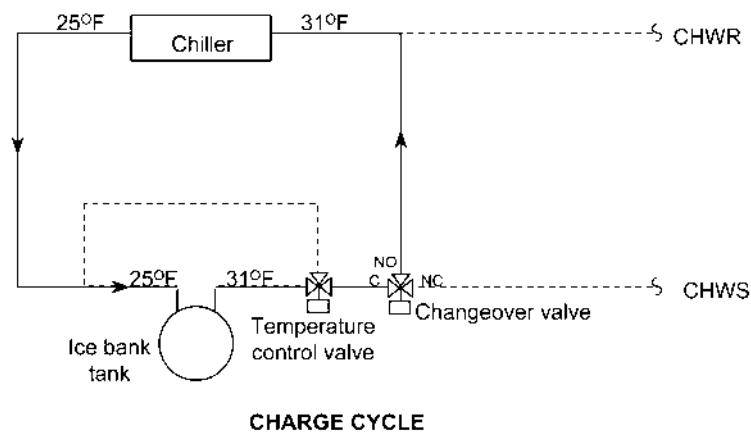


FIGURE 5.5. Internal melt coil freezing thermal storage system schematic.

4. *Ice Capsules*—Again, the freezing point of chilled water is lowered by adding ethylene glycol. With this technology, a tank is filled with sealed containers of water submerged in the chilled water. During the charging cycle, the water-filled capsules are frozen by circulating cold chilled water through the tank. During discharge, as warmer chilled water is circulated through the tank, the ice melts, cooling the water.

The capsules are made of thin-walled polyethylene plastic and are designed to survive the expansion of freezing water. However, if water is kept still, as inside these capsules, it may cool to well below 32°F before it actually freezes. Therefore, to ensure complete freezing, the capsules must be cooled to about 25°F.

The basic operating modes of this technology are the same as for the internal melt storage system.

5. *Ice Slurry*—With this technology, propylene glycol or calcium magnesium acetate (CMA) is added to water and the resulting brine is circulated over a special evaporator. As the brine flows down a tall evaporator surface that is at a temperature equal to the freezing point of the brine, ice begins to form. A mechanical scraper then removes the ice from evaporator surface so that a mixture or “slurry” of ice and liquid is formed.

A heat exchanger is used to isolate the glycol solution from the building chilled water system.

5.2.3. Eutectic Salts Storage Systems

The main disadvantage to ice storage is that ice freezes at a temperature much lower than is required for most HVAC applications, forcing compressors to operate at much lower evaporator temperatures and increasing energy consumption because of the lower COP's that result. The main advantage to ice storage is reduced storage volume because of phase change heat transfer.

From the earliest days of thermal storage systems there has been an ongoing search for a storage material that would change phase at temperatures closer to those required by conventional chilled water systems. These materials are called *eutectic* from the Greek for “good freezing.”

The best results for this technology so far have been achieved with hydrated salts. With these compounds, heat is absorbed as the water molecules are separated from the salt molecules, a chemical reaction that while not strictly a phase change is called that. This reaction occurs at approximately 47°F, while eutectic salts that changed phase at 40–42°F would be more ideal.

The advantage of eutectic salt technology is the reduced storage volume. These systems require only about half the volume of water storage, but still more than twice the storage volume of ice systems.

The disadvantage of this technology is having to deal with the high phase change temperature, which is typically too high for chilled water systems operating design loads unless latent loads are very low. In addition, the discharge temperature is not totally uniform, so a real chilled water temperature of about 50°F can be expected. But, this temperature are well below the normal chilled water return temperatures (particularly for systems with a larger design range), so the system can be used in a series configuration with the chiller, precooling the return chilled water before it enters the chiller.

5.3. APPLICATION OF THERMAL STORAGE

The use of thermal storage may be economically attractive only if the following conditions apply:

1. The peak cooling load is much higher than the average cooling load over the design day, i.e., peak loads are of short duration.
2. The electric utility rate includes high demand charges, ratchet charges, or high differential between on-peak and off-peak rates.

Owners or designers contemplating thermal storage as part of a chilled water system must do more evaluation than that for conventional systems. These steps are recommended to determine the feasibility of a thermal storage system:

1. Consider the owner's ability to operate a chilled water system with thermal storage. These systems require ongoing monitoring and adjustment to work properly and efficiently. System failure can have significant negative financial impacts.
2. Determine the cooling load profile, hour-by-hour during the peak cooling period, in order to determine required chiller and storage capacities. Then, using a detailed annual cooling load profile for existing facilities or hour-by-hour computer modeling for new facilities, compute the annual operating cost for the system. *Compute electrical costs using the exact rate schedule(s) to be applied to this system.*
3. Select the thermal storage technology to be used. Ensure that all operating modes are fully defined by the design and incorporated into the system controls.
4. Determine the capital requirements and anticipated economic performance of the thermal storage system. While simple payback methods can be applied, more sophisticated methods, such as rate of return or life cycle cost analysis, should be applied.
5. Negotiate a long-term contract with the electric utility. This contract should establish the specific rates to used and provide for exemptions

from demand peaks caused by occasional system failure. The contract period must be longer than the payback period for the system.

6. While the thermal storage system is being installed, throughout the commissioning period and through the first year of operation, the operating staff must be fully involved, trained, and monitored to ensure successful system performance.

6

Special Chiller Considerations

6.1. NOISE AND VIBRATION

Air-cooled chillers and the cooling towers associated with water-cooled chillers are installed outdoors, presenting numerous problems relative to performance and *community noise* that result from poor placement and/or incorrect screening. See Secs. 11.4 and 14.3 for discussion of these topics.

Water-cooled chillers are located indoors, which means that noise and vibration created by the chiller and its associated pumps may become a problem throughout the building. Therefore, careful attention to location and installation of water-cooled chillers is required.

Water chillers have broadband sound levels with characteristic frequency ranges depending on the type of compressor (reciprocating, centrifugal, or screw). And, because some centrifugal chillers produce more noise under part load operation, chiller noise must be analyzed for the entire load range.

Sound is the hearing sensation caused by a physical disturbance in the air. *Noise* is simply objectionable sound.

Sound waves in air arise from variations in pressure above and below the ambient pressure and can be caused by repetitive pulsation in an air stream (due to rotating fan wheels or blades) and/or the cascading water. Some can hear sound in the frequency range of 20–20,000 Hz, but in reality, few can hear below 30 Hz or above 8000 Hz.

Noise is measured in terms of the *sound pressure level*, measured in decibels (abbreviated as “dB”). Decibel values for sound represent a logarithmic scale, each 10 dB increase or decrease indicating a factor of 10 increase or decrease in the sound level, as shown in Figure 6.1.

The ear is not equally sensitive to all sound frequencies. The sound pressure level from two sound sources may be identical, but if the sources have different frequencies, the “loudness” of one sound will be perceived higher than the other if it is concentrated within the frequency ranges within which the ear is more sensitive. Therefore, acoustics engineers have developed *frequency weighing* for sound-level meters, and the most common weighing standard is the “A-Scale,” which gives more “weight” to the middle octave bands of the sound being measured. Table 6.1 tabulates the A-scale frequency response or weighting factors.

Additionally, sound-level meters are usually provided with a method to time-average sound over a selected time period. Otherwise, it would be difficult to measure rapidly varying sounds.

To prevent the transfer of sound and vibration into occupied spaces, the following recommendations should be implemented:

1. If feasible, locate the chiller(s) in a mechanical equipment building separate from the occupied building(s). If the chiller room is integrated into the building, the walls and ceiling must be designed to prevent noise transfer. Masonry construction and, perhaps, interior acoustical lining are required.

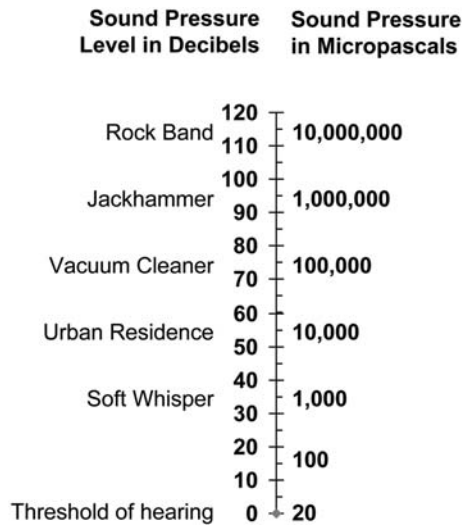


FIGURE 6.1. Representative noise sound pressure levels.

TABLE 6.1. A-Scale Sound Pressure Weighting Factors

Frequency (Hz)	Weighting factor (dBA)
31.5	− 39.4
63	− 26.2
125	− 16.1
250	− 8.6
500	− 3.2
1000	0.0
2000	+ 1.2
4000	+ 1.0
8000	− 1.1

2. All piping and conduit penetrations must be sealed with flexible materials to stop noise and prevent the transfer of vibration to the building walls and floors.
3. Mount all equipment on vibration isolators. Pumps can be isolated with inertia bases and spring isolators as shown in Figure 3.7. If the chiller is installed in a ground floor or basement location, it can be isolated with cork-and-rubber pads designed to support the weight of the chiller without fully compressing. If located in the upper floors of a building, the chiller should be installed with spring vibration isolators as shown in Figure 6.2.
4. Make sure that all piping and electrical connections to equipment are made with flexible connectors.
5. For critical applications, chiller noise can be reduced by a sound-absorbing enclosure. Constructed of movable panels, these enclosures consist of lightweight panels with 1–4 in. of glass fiber sound insulation installed around and over the chiller. To allow air movement and access for servicing, the panels can be arranged with minimum 3 ft overlaps to eliminate straight line noise paths.

Chillers are tested for noise level in accordance with ARI Standard 570. This data can be used to evaluate chiller selection and installation requirements to minimize noise impact.

6.2. ELECTRICAL SERVICE

Electrical service for electric-drive vapor compression water chillers almost always consists of three phase, four wire service with the voltage to load ratios indicated in Table 6.2.

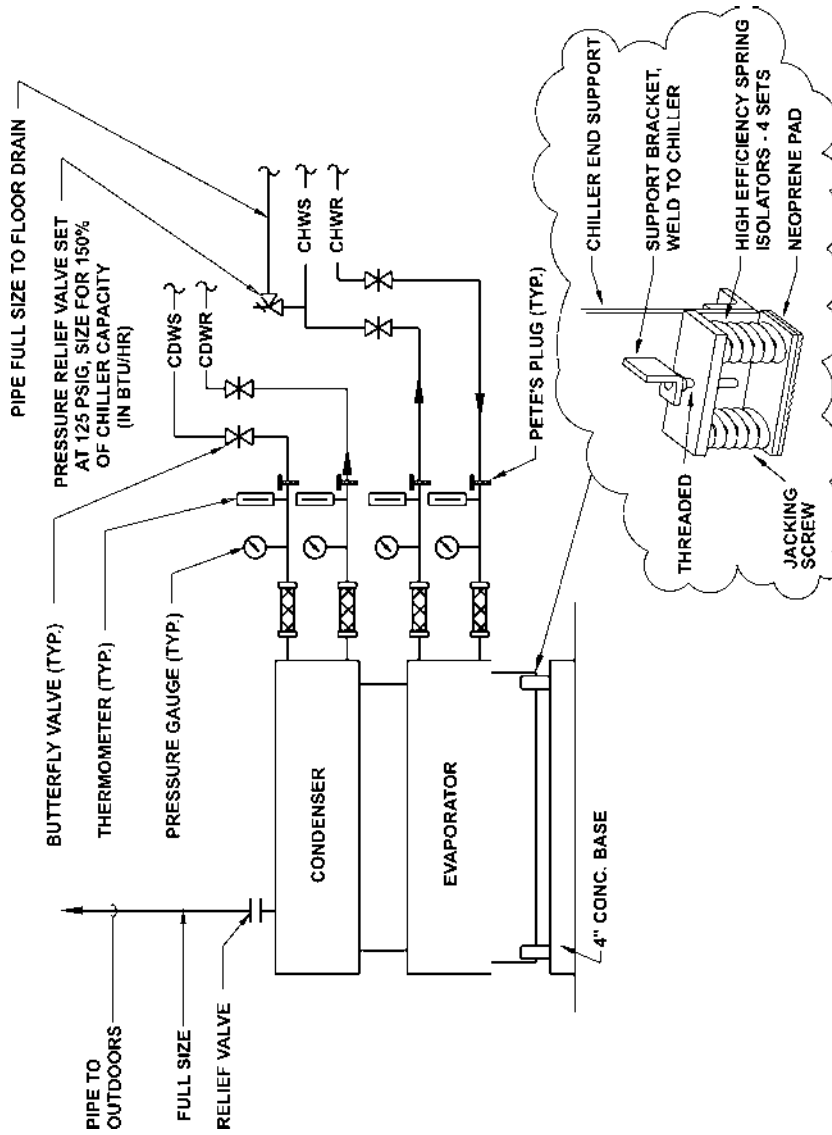


FIGURE 6.2. Chiller installation for upper level mechanical rooms.

TABLE 6.2. Typical Electrical Voltages for Water Chiller Service

Compressor input (kW)	Typical service voltage (3-ph, 4-wire, 60 Hz)
0–15	200–230
16–1000	460–600
1001 +	4160

There are four methods of motor starting commonly used for electric-drive chillers. For small compressors (15 tons or less), *full voltage* or *across-the-line* starting is typically used. However, this type of starting imposes a starting or *inrush* current that is about 6 times greater than the normal full load operating current of the motor.

High current inrush and high starting torque can cause problems in electrical and mechanical systems, so, for larger motors, some type of *reduced voltage* starting is normally used. For reciprocating compressors, the *part-winding* starting method is often used. For rotary compressors, *wye-delta* and *solid-state* starters are used. Each of these methods has advantages and disadvantages in their application.

6.2.1. Part-Winding Starters

Part-winding starting is done by first applying power to part of a motor's coil windings for starting and then applying power to the remaining coil windings for running. The motor must be a part-winding motor with two sets of identical windings that can be used in parallel. The windings then produce reduced starting current and reduced torque when energized in sequence.

The start winding draws about 65% of rated motor locked rotor current and develops about 45% of the normal motor torque. After about 1 sec, the second winding is connected in parallel with the start winding and the motor runs with full current and full torque.

6.2.2. Wye-Delta Starters

Wye-delta starters can be used only on wye-delta motors that have sized leads that allow for the motor winding to be connected in either the wye configuration or the delta configuration.

Wye-delta starting begins by connecting the motor leads in a wye configuration for starting. With this configuration, the motor receives approximately 58% of line voltage and develops approximately 33% of normal current and torque. After a time delay (that is usually adjustable), the wye contactors in the starter open, momentarily de-energizing the motor, and the delta

contactors close, re-energizing the motor in a delta configuration with full current and full torque.

This type of transition from wye to delta configuration is called “open” since there is a momentary period when no voltage is applied to the motor. A higher cost version of this starter provides “closed” transition via another set of contactors and a resistor bank to maintain voltage to the motor windings during the transition period.

Wye-delta starters are called “electromechanical” starters since their action includes both electrical aspects and mechanical contactors within the starter that must open and close during the starting sequence.

6.2.3. Solid-State Starters

To provide reduced voltage starting without the potential operating and maintenance problems of electromechanical starters, solid starting can be used. This type of starter uses a silicon-controlled rectifier (SCR-state) that controls motor voltage, current, and torque as the motor accelerates during the starting sequence.

Starting current can be adjusted from about 25 to 75% of the full load value.

The primary advantages to this type of starting is that it is almost infinitely adjustable (providing smooth, stepless motor acceleration), small in size, very rugged, and has no contacts to fail. One other advantage is that, due to its smaller size, the starter can typically be unit-mounted, while much larger wye-delta starters must be installed separately and require wiring runs between the starter and the chiller motor. The primary disadvantage to the solid-state starter is cost, which may be two or three times that of wye-delta starters.

6.2.4. Motors

Motors for electric-drive compressors are classified as *hermetic* or *open*, as follows:

Hermetic Motors: These motors consist of a stator and rotor directly connected to a refrigeration compressor, both of which are sealed in a common enclosure or casing. In this configuration, refrigerant flowing from the evaporator passes through and around the motor as it enters the compressor to provide motor cooling.

Open Motors: These motors are standard NEMA Design B motors, which are mounted on the chiller and connect to the compressor via a shaft and coupling arrangement.

The open motor arrangement has the advantage of easier accessibility for service and, in the event of motor failure, the refrigeration circuit is not contaminated. However, careful alignment of the motor and compressor shafts is required

(both initially and as an ongoing maintenance item) to prevent vibration and mechanical damage.

With hermetic motors, the heat generated due to motor inefficiency (5% or less of the rated motor kW) is rejected to the refrigerant and then to the condenser. However, motor heat from an open motor is rejected into the chiller room, requiring additional ventilation to limit heat build-up. Typically, the maximum allowable chiller room temperature is set at 104°F. With a 95°F ambient air temperature (design day), the required additional ventilation air flow, in cfm, to offset motor heat can be computed by Eq. (6.1).

$$\text{cfm} = (\text{full load kW})(0.05)(3413)/[1.1 \times (104 - 95)] \quad \text{or}$$

$$\text{cfm} = 17.2 \times (\text{full load kW}) \quad (6.1)$$

The oil pump on an electric-drive chiller is a small load that uses full-voltage starting, but must be served separately from the main compressor motor. To avoid this problem, and the potential for errors during installation, it is recommended that the chiller be specified to have a *single-point electrical service connection*. Thus, only one wiring run from the power source to the chiller is required.

Absorption chillers have several small pump motors, each of which will almost always be 5 hp or less. Again, single-point electrical service connection should be specified so that the full-voltage starters and wiring between the motors and starters is part of the chiller package.

6.3. CHILLER HEAT RECOVERY

The heat collected by the chiller during cooling must be rejected through the condenser to a “heat sink” as discussed in Chapter 1. However, if there is a simultaneous need for heat, then this heat can be *recovered* and utilized rather than simply being rejected to the outdoors.

During the 1960s, natural gas was not available in many parts of the country for commercial building heating and many *all-electric* HVAC systems were designed. However, due to the high cost of electricity for heating, efforts were made to use rejected condenser heat for this purpose, essentially creating large-scale *internal source heat pump* systems. However, there were serious drawbacks to these systems:

1. To be applicable, the building had to have a high ratio of interior zones, which required cooling any time they are occupied, relative to perimeter zones, which required heating or cooling primarily as a function of outdoor conditions. Equally important, these interior zones had to have a high level of internal heat gain due to lights, people, and appliances.

2. The normal chiller leaving condensing water temperature of 95°F is very low for heating applications. The problem is compounded at reduced cooling load conditions since this temperature decreases in direct ratio to the cooling load. To help this condition, heat recovery chillers are designed to operate with leaving condenser water temperatures as high as 110°F. This, however, significantly increases the chiller energy input and resulting operating cost.
3. Electrical costs must be high. The economics of heat recovery vs. the use of an airside economizer cycle to provide “free” cooling during the winter must be carefully evaluated to determine if this type of heat recovery is cost-effective.

Even in the 1960s, this type of heat recovery had marginal performance and economic benefits. In addition, as soon as natural gas became available, these systems were abandoned. *Since the 1960s, the energy cost picture has only gotten worse while chiller heat recovery performance has not improved, essentially eliminating the internal source heat pump concept from consideration.*

However, if there is a need for low-level (85–95°F) heat during the cooling season, then recovery and use of condenser heat should be evaluated. Typical applications include the following:

1. Domestic hot water preheating can be applied as shown in Figure 6.3. Municipal supply water temperatures can range from 65 to 85°F during

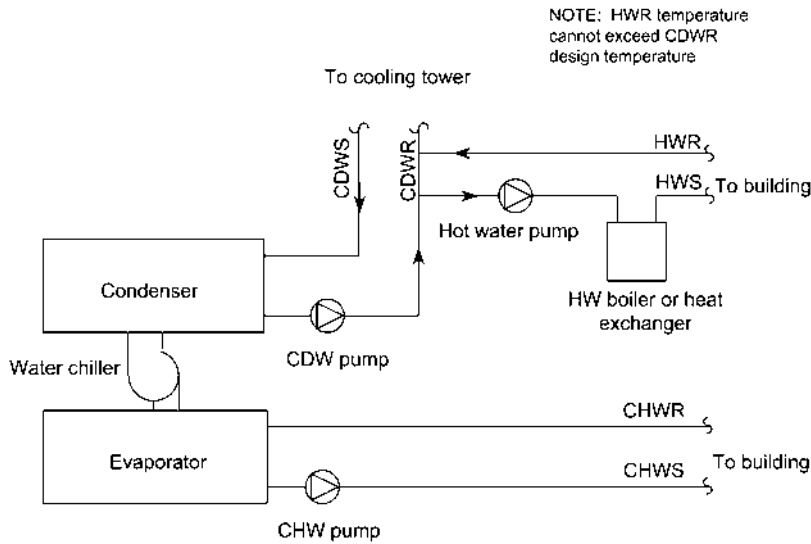


FIGURE 6.3. Water-cooled chiller heat recovery schematic.

the summer. For buildings with high domestic hot water requirements (hospitals, research laboratories, dormitories, etc.), preheating the incoming water via a water-to-water heat exchanger will reduce hot water heating costs.

2. Summer reheat loads can be met with condenser heat and the use of a water-to-water heat exchanger as shown in Figure 6.3. Since no space heating is required during the summer, the maximum reheat requirement is to bring the air to room temperature, typically 75°F. This temperature is well within the range of the condenser water temperature available.
3. Process heating loads can be met with condenser heat if their thermal level is below about 80°F.

7

Chiller Operation and Maintenance

7.1. CHILLER COMMISSIONING

Every chilled water system can be operated on the basis of meeting two goals:

Goal 1: Satisfy imposed cooling loads:

Maintain proper supply water temperature.

Maintain proper supply water flow in variable flow systems.

Goal 2: Minimize the cost of cooling:

Maintain chilled water temperature as high as possible, but still low enough to satisfy latent cooling loads.

Maintain condenser water supply temperature as low as feasible.

Operate each chiller, to the maximum possible extent, in the 40–85% load range.

To ensure that this type of operation is attainable, the chilled water system must be properly installed and placed into service and its operation verified by test, a process called *commissioning*.

The first step in this process is to verify that the chiller installation is correct and in accordance with both the design and the manufacturer's recommendations. The design engineer should be retained to review the installation process and perform a final inspection to ensure compliance with the design requirements.

Before the chiller can be started for the first time, the chilled water pump(s) must be placed in operation and the chilled water flow adjusted to within $\pm 5\%$ of design rates. The basic steps required to place the chilled water pump in service include the following:

1. Check pump installation, including mountings, vibration isolators and connectors, and piping specialties (valves, strainer, pressure gauges, thermometers, etc.).
2. Check pump shaft and coupling alignment.
3. Lubricate pump shaft bearings as required by the manufacturer.
4. Lubricate motor shaft bearings as required by the manufacturer.
5. Turn shaft by hand to make sure the pump and motor turn freely.
6. "Bump" the motor on and check for proper rotation direction.

The air-cooled condenser or condenser water system must be placed into operation (see Sec. 15.1). System controls must be tested and their proper operation confirmed.

Chillers should be initially placed into service only by the manufacturer's service technicians, a process often called *factory start-up*.

The following checklist can be used for verifying both chiller installation and functional performance upon start-up:

General Installation Checklist:

1. Test and balance completed (CHW and CDW flows within -5 to $+10\%$ of design)
2. Observe no visible water or oil leaks.
3. Observe no unusual noise or vibration.
4. Chilled water piping insulation in good condition.
5. Pressure gauges, thermometers installed and operable.
6. Confirm that O & M manuals are onsite.
7. Confirm that training provided for operating staff.

Additional Installation Checklist for Absorption Chillers:

1. Confirm that the steam control valve installed and operating for indirect fired chiller.
2. Confirm that chiller has been leak tested according to manufacturer's instruction.
3. Confirm that unit was evacuated properly before charging with refrigerant and solution.
4. Confirm that distilled water was used for refrigerant charge and proper amount of inhibitor added.
5. Confirm that the proper amount of lithium bromide was installed.
6. Confirm that the proper amount of octyl alcohol was installed.

7. Test electrical service to each pump for proper voltage/phase.
8. Test operating amps for each pump.

Functional Performance Checklist:

1. Confirm that the factory start-up and tests were completed and the chiller is ready to be placed into service.
2. Determine entering CHW temperature and compare to design.
3. Determine leaving CHW temperature is within 1°F of setpoint.
4. Compute CHW range and compare to design.

Electric-Drive Chillers:

1. Determine that the chiller FLA is within 5% of design.
2. Test volts, phase-to-phase.
3. Compute voltage imbalance and determine that the maximum of a-b-c-average/average is less than 2%.

Absorption Chillers:

1. Determine that the high generator temperature is within design range.
2. Test high/low generator solution level.
3. Determine that supply steam pressure is within 5% of design.
4. Test automatic over-concentration, dilution cycles, and dilution on shutdown.

Water-Cooled Chillers:

1. Confirm that the cooling tower has been commissioned (see Sec. 15.1)
2. Determine the entering CDW temperature and confirm that it is within 1°F of setpoint.
3. Determine leaving CDW temperature and compare to design.
4. Determine CDW temperature range and compare to design.

Air-Cooled Chillers:

1. Determine ambient air temperature.
2. Determine chiller head pressure and compare to rated value.

Operations and Control:

1. Confirm that chiller appears to meet load.
2. Confirm that chiller operates without alarm conditions or safety shutdowns.
3. Confirm that chiller start sequence operates properly.
4. Confirm that multi-chiller staging sequence operates properly.

7.2. CHILLER MAINTENANCE

When establishing a maintenance program for chillers, maintenance managers have three options:

1. Implement the program fully in-house.
2. Outsource the entire program.
3. Use a combination of in-house and outsourced functions.

One of the most important benefits of a program that uses in-house personnel is the institutional knowledge of those systems. Maintenance personnel have been working with those chiller systems for years, and they most likely know what many of the existing maintenance problems are.

Another benefit of using in-house personnel is long-term quality. Maintenance managers and in-house personnel are better able to focus their attention and efforts on both short- and long-term requirements, up to the expected life of the equipment. Outsourced programs tend to have a much shorter focus, i.e., the length of the maintenance contract.

However, the cost of establishing a complete in-house program can be very high. Managers have to arrange for the training of maintenance personnel on the specifics of maintaining the chiller(s) installed in the facility, provide specialized training for infrequent testing and servicing, and purchase specialized test equipment for many of the inspection and maintenance activities that must be performed.

Combination in-house and out-sourced programs typically assign the routine and preventive maintenance tasks to in-house personnel, while contracting is utilized for specialized activities that require a higher level of expertise than is available in-house. This approach maintains in-house personnel being actively involved in the maintenance, while outside experts assist them by performing the more complex and infrequent tasks. This arrangement helps preserve the institutional knowledge and typically is the most cost-effective approach.

No matter which maintenance scheme is utilized, routine maintenance requirements for electric-drive vapor compression cycle water chillers fall into four categories: continual monitoring, periodic checks, scheduled maintenance, and long-term maintenance, as follows:

Continual monitoring/visual inspection. The majority of chiller operating problems and maintenance needs are discovered by visual inspection and the monitoring of equipment operating parameters. Figure 7.1 is a form that can be used to guide chiller visual inspection and to collect operating data every two hours during the day. This data will give a complete “snapshot” of the running conditions of the chiller and variations in data between observations can be a prime indicator of operating problems.

Date _____ Shift _____ Data Collected By _____

Outside Air Conditions							
Time							
Dry Bulb Temperature							
Wet Bulb Temperature							

Chiller No. _____

Cooler:	Pressure Drop						
	Refr. Temp						
	CHWS Temp						
	CHWR Temp						
Condenser:	Pressure Drop						
	CDWS Temp						
	CDWR Temp						
Compressor: Amps	Head Pressure						
	Refr. Level						
	Oil Temp						
	Oil Level						
Purge Unit: Hours runtime							

Chiller No. _____

Cooler:	Pressure Drop						
	Refr. Temp						
	CHWS Temp						
	CHWR Temp						
Condenser:	Pressure Drop						
	CDWS Temp						
	CDWR Temp						
Compressor: Amps	Head Pressure						
	Refr. Level						
	Oil Temp						
	Oil Level						
Purge Unit: Hours runtime							

FIGURE 7.1. Chiller data logging form.

Over the long term, this data can be used to predict maintenance requirements. This data, along with the data collected during periodic checks and routine maintenance procedures, can be plotted against time so that a trend or change in conditions can be identified. A decision on maintenance can then be made from the trend.

Periodic checks. Periodic checks are specific tests that are performed annually (or more frequently) to evaluate some aspect of the chiller performance and include the following:

- Leak testing (via the pressure method).
- Purge operation (low pressure systems).
- System dryness.
- Lubricant level.
- Lubricant filter pressure drop.
- Refrigerant quantity or level.
- Water flow rates. (Adjust the pumps to provide design flow and measuring the pressure drop across the evaporator and condenser. Compare these values to the manufacturer's data to determine if internal scaling is occurring.)
- Expansion valve operation (for reciprocating compressor systems).

Regularly scheduled maintenance:

- Condenser and lubricant cooler cleaning should be done at the beginning of the cooling season or every six months if the chiller is in use year around. This process has become more difficult since the heat exchanger tubes in newer chillers have internal fins. (To facilitate this cleaning, piping connections at the chiller should be flanged or use grooved piping connections and the insulation be designed for removal and replacement. The piping must be configured so as to not interfere with the tube cleaning space.)
- Evaporator cleaning on open systems is required for applications using air washers. Here, the chilled water system is "open", just as the condenser water system is open, and the evaporator tubes should be cleaned at the same time the condenser tubes are cleaned.
- Calibration of pressure, temperature, and flow controls should be done quarterly.
- Inspect starter wiring connections, contracts, and action. Power connections on newly installed starters may relax and loosen after a month or so of operation. Tighten and recheck annually thereafter.
- Safety interlocks devices, such as flow switches and pump starter auxiliary contracts, should be checked annually for proper operation.
- Dielectric motor testing should be done annually. This test will identify failures in motor winding insulation. Other motor tests should include test for imbalance of electrical resistance among windings, imbalance of total inductance with phase inductances, power factor, capacitance imbalance, and running amperage vs. nameplate amperage.

Tightness of hot gas valve (as applicable) should be checked annually. If the valve is does provide tight shutoff, replace it.

Lubricant filter and drier should be changed annually.

Laboratory analysis of lubricant should be performed annually during the first 10 years of chiller life and every six months thereafter. This oil analysis will define the moisture content (not to exceed 50 ppm), oil acidity (maximum 1 ppm) that may indicate oil oxidation and/or refrigerant degradation due to high temperatures, and metals or metal oxides that indicate chiller component wear and/or moisture in the oil.

Vibration levels for open drive chillers should be checked annually.

Hermetic chillers should be tested every 3–5 years, more frequently as the chiller ages. Vibration analysis is useful for detecting compressor/motor alignment problems for open drive chillers and to evaluate bearing wear, gear misalignment, and other dynamic problems in any chiller. There are several different methods of vibration testing. In general, accelerometers are suitable for gear box and bearing tests, while a velocity type sensor is necessary to measure the low frequency vibration associated with compressor motor imbalance, drive misalignment, and sleeve bearing wear.

Valve and bearing inspection in accordance with manufacturer's recommendation.

Relief valves (both refrigerant and water) should be checked annually.

Disconnect the vent piping at the valve outlet and visually inspect the valve body and mechanism for corrosion, dirt, or leakage. If there are problems, *replace the valve, do not attempt to clean or repair it.*

Extended (long term) maintenance checks:

Eddy current (electromagnetic) testing of heat exchanger tubes should be performed every 5 years (or more frequently as the chiller ages). This testing will typically detect tube pits, cracks, and tube wear (thinning). Any tube that is replaced as result of this testing should be examined and cross-sections cut so the cause of the defects can be evaluated.

Compressor teardown and inspection of rotating components should be performed every 5 years. Visually inspect the compressor impeller (centrifugal compressor) or rotors (screw compressor), capacity control devices and linkage, and bearings. Replace seals and gaskets during reassembly. (Keep detailed records of these inspections and use this information to define future repair or replacement needs.)

Other components must be serviced, inspected, and/or replaced at the intervals recommended by the chiller manufacturer.

The maintenance requirements for engine-drive vapor compression cycle chillers are much the same as for electric-drive chillers except that the significant maintenance requirements for the engine must be added to the program. Depending on the type of engine and fuel, the manufacturer's maintenance program must be strictly followed to endure reliable engine operation and to attain the expected engine life.

Absorption water chillers have three significant maintenance elements:

Mechanical components. Absorption chillers have refrigerant and solution pumps and a purge unit that must be maintained. The pumps are usually hermitically sealed and are cooled and lubricated by the refrigerant. On an annual basis, these pumps and motors must be inspected and tested to insure continued operation. Every 3 years, the pump seals and bearings will require inspection and, as indicated, replacement.

On a routine (daily) basis, the operation of the purge unit must be checked for both proper operation and *excess* operation, indicating an air leak. Air leakage into an absorption chiller can produce serious problems due to corrosion, contamination of the absorbent solution, and reduction in efficiency and capacity.

Heat transfer components. Annually, the condenser and absorber heat exchanger tubes must be cleaned. The lithium bromide solution must be analyzed annually for contamination, pH, corrosion-inhibitor level, and performance additive (octyl alcohol) and the solution adjusted as necessary.

Leak testing using the pressure method, is required annually.

Eddy current testing of the absorber, condenser, generator, and evaporator should be done every 3–5 years.

Absorption chillers have a number of service valves, which contain rubber diaphragms. These diaphragms should be replaced every 3 years (which requires that the lithium bromide/water solution from the chiller).

Controls. Proper operation of controls is critical in preventing performance problems with absorption chillers. Test the controls for proper operation at the beginning of the cooling season. Clean and tighten all connections, including field sensor connections. Vacuum control cabinets to remove dirt and dust. With microprocessor controls, have the factory service technicians test calibration and operation and ensure that the latest version of operating software is loaded.

For direct-fired absorption chillers, the burner must also be maintained and serviced to ensure efficient, reliable operation. The following is a summary of basic burner maintenance requirements:

Annually:

Inspect and repair stack/breeching.

Clean heating surfaces.
Check combustion air intakes.
Test all safety controls, operating levels, etc.
Test relief or safety valve for operation and setpoint.

Routine maintenance:

Run efficiency test and adjust air/fuel ration at least twice each year (more often for larger burners)

7.3. CHILLER PERFORMANCE TROUBLESHOOTING

While both vapor compression cycle chillers and absorption chillers are reliable machines that require little “hands-on” attention by their operators, they are mechanical devices that are susceptible to failure and resulting operating problems. When operating problems do appear, they generally fall within the following three categories:

7.3.1. Selection or Design Problems

Typically, there are two common chiller problems that can traced to improper design and/or incorrect chiller selection:

1. *Capacity is too low or too high for imposed load.* The first problem, insufficient capacity, is fairly rare because most design engineers are conservative folks who would rather err on the high side. But, simple mistakes or changed conditions can result in a chiller that simply has too little cooling capacity.

Unfortunately, there is no simple way of increasing capacity. However, the problem can be mitigated by keeping condensing temperatures as low as possible. Adding larger condenser coils for air-cooled applications or an additional cooling tower cell can be far less expensive than adding additional chiller capacity if the shortfall is relatively small.

High head pressure in a chiller, which reduces capacity, is normally the product of high condenser temperature conditions. This lost capacity, also, can be regained by improving condenser side performance.

Chiller over-capacity is a far more common problem, resulting in inefficient performance and the potential for control point offset that may cause the chiller to shut down due to low refrigerant temperature or low chilled water temperature. Generally, this problem can be

addressed by false-loading the chiller with hot gas bypass. This will prevent the chiller from going off-line, but will not improve energy use.

2. *Chilled water supply temperature is too high.* As discussed in Chapter 1, for an HVAC system to simultaneously maintain the desired space temperature and humidity level, the chilled water temperature must be low enough to allow supply air to be cooled to the required temperature. If the chilled water temperature is too high, high space humidity conditions will occur.

The chiller supply water temperature setpoint can be lowered from the rated value, but there will be a corresponding reduction in chiller capacity and increase in chiller energy consumption. Thus, there is a trade-off between water temperature and capacity that must be evaluated to determine how low the supply water temperature can be set without reducing capacity to below the imposed load.

Again, both chilled water supply temperature and capacity can be improved by lowering the condenser side temperatures as much as possible.

7.3.2. Installation Problems

Assuming that water flow rates are properly adjusted and controlled, controls work properly, and the chiller is installed in accordance with the design requirements, there are few operating problems. However, there is one common problem in larger, primary–secondary systems that results from installation problems with chilled water coils and control valves.

In most primary–secondary systems, the design chilled water range ($T_r - T_s$) for both the primary and secondary loops is the same—that is, coils and chillers are typically selected for the same temperature rise. But, in many systems, a *low range* problem shows up, as follows:

Symptom	Having to operate more chillers than the load dictates in order to have enough chilled water flow to meet the needs of certain air-handling units.
Result	System range ($T_r - T_s$) is lower than design. Thus, chiller plant capacity is actually “lost” due to the inability to obtain design range

This lost chiller capacity is the problem since the condition requires that more chillers be operated at lower load conditions. The operating condition may often be less than about 30% of the chiller full load and, thus, chiller efficiency is lost. Thus, it simply costs more to produce cooling, both in chiller operation and in pumping energy.

If the cooling coil heat transfer characteristics and the control valve flow control characteristics are not exactly matched, excess flow for the required part load

capacity will result. If the coil is dirty, the heat transfer factor becomes poorer, requiring higher flow rates for a given part load capacity. If the control valve leaks, excess flow results. All of these conditions may be contributors to the low range problem, and all are difficult to find and fix in the field. However, there are a number of steps that can be taken to improve the problem:

1. Clean all cooling coils on a regular basis to minimize fouling and airflow resistance. If the coil is old *and* dirty, consider replacing it with a new cooling coil selected for higher range, typically 25% higher than the overall system design range.
2. Add sensible cooling only coils upstream of existing coils and pipe the chilled water flow in series with the existing coil. Thus, a higher water range can be obtained, with only a minor airside pressure drop penalty (since these are typically 2–3 row coils).
3. Control valves must be properly sized 2-way *equal percentage* type. (Make sure there are no 3-way valves in the system.) The valve wide-open pressure drop at full flow should be (a) 1.25–1.50 times the coil pressure or (b) equal to the excess branch circuit pressure differential, whichever is greater. Specify 50:1 minimum rangeability. Valve operators must be selected for tight shutoff against the pump cut-off pressure.
4. All control valves must be normally closed and arranged to close if the air-handler is off (includes fan coil units). Bypass water flow can be a root cause of the low range problem.
5. Raise (reset upward) T_s at reduced cooling loads (but, watch humidity conditions).
6. Calibrate and maintain airside temperature controls. If these read “high,” excess chilled water flow will result.
7. Monitor range. If you cannot measure it, you cannot manage it.

7.3.3. Maintenance Problems

Proper mechanical maintenance of the HVAC water chiller is required to keep it performing as needed. (See Sec. 7.2.)

7.4. REFRIGERANT MANAGEMENT PROGRAM

Effective July 1, 1992, under Section 608 of Clean Air Act of 1990, the EPA has established regulations (published in the *Code of Federal Regulations*, 40 CFR Part 82, Subpart F) that require the following:

1. Practices that maximize the recycling of ozone-depleting compounds (CFC's and HCFC's) during the operation, servicing, and disposal of refrigeration equipment.

2. Certification of refrigerant recovery and recycling equipment, technicians involved with handling refrigerants, and reclaimers.
3. Limiting of sale of refrigerant to certified technicians.
4. Repair of substantial leaks in refrigeration equipment with a refrigerant charge greater than 50 pounds (equivalent to about 15 ton capacity or larger).
5. Safe disposal requirements to ensure removal of refrigerants from goods that enter the waste stream.

Vapor compression cycle water chillers using R-22, R-123, or other CFC/HCFC refrigerants fall within the jurisdiction of these regulations. Absorption water chillers and vapor compression cycle water chillers using R-134A, R-407A, or R-410C are exempt from these requirements simply because these refrigerants have no ozone-depleting characteristics.

For CFC/HCFC chillers, the certification of equipment and technicians, the limiting of leaks, and safe disposal of equipment are required parts of a refrigerant management program that must be implemented by the chiller owner.

Equipment Certification. Equipment used to evacuate refrigerant from a chiller must be certified by an EPA-approved equipment testing organization (either ARI or UL). Refrigerant removed from a chiller can be returned to that chiller or to another chiller with the same ownership. However, if the refrigerant changes hands, the refrigerant must be “reclaimed” (i.e., cleaned to ARI Standard 700 purity level and chemically analyzed to verify that it meets this standard).

Technician Certification. EPA requires certification of persons who perform maintenance, service, repair, or disposal that could be reasonably expected to release refrigerants into the atmosphere. The definition of “technician” includes anyone would attach/detach hoses and gauges to measure pressure or would add or remove refrigerant from the system.

Four types of certification have been established by EPA, but for chiller applications “Type II (high pressure),” “Type III (low pressure),” or “Universal (any type of equipment)” certifications would be required. Technicians are required to pass an EPA-approved test given by an EPA-approved certifying organization.

Refrigerant Venting and Leaks. Small amounts of refrigerant released during the purge of low-pressure systems are allowed by the regulations. Also, small leaks when hoses or connections are disconnected, if meeting low-loss standards, are also allowed. However, any chiller containing 50 pounds or more of refrigerant must not leak more than 15% of the total charge in a year’s time. If a leak is discovered (evidenced by the need to add refrigerant to maintain capacity and/or prevent evaporator low temperature problems), owners have 30 days to repair the leak.

Disposal. A chiller that is removed from service must have all refrigerant removed prior to disposal. This refrigerant can be retained for use in other chillers under the same ownership or sold to a relainer for reclamation and resale. (Note that if refrigerants are recycled or reclaimed, they are not considered “hazardous” by the EPA.)

The regulations also establish requirements for record keeping. Technicians are required to provide owners with an invoice that indicates the amount of refrigerant added to any system that contains 50 pounds or more. The owner, then, is responsible for maintaining these invoices and using them to track leakage rates from equipment. Additionally, owners must maintain servicing records documenting the date and type of service, as well as the quantity of refrigerant added.

Every organization that owns one or more chillers should review the following checklist to establish and maintain a refrigerant management program:

1. Obtain copies of current EPA regulations and become familiar with their requirements. Establish a program to collect, distribute, and communicate updates and amendments that are issued regularly by the EPA. (The EPA maintains a website at www.epa.gov that provides significant information and links to specific documents that apply to a refrigerant management program.)
2. Develop a “mission statement” specifically documenting your “intent to comply” with EPA regulations.
3. Develop a written job description for a “Facility Refrigerant Manager” who is responsible for refrigerant management and compliance with EPA regulations.
4. Designate and train your “Facility Refrigerant Manager.” (This the individual that the EPA will speak with when conducting a refrigerant compliance inspection.)
5. Develop written policy and procedures for refrigerant usage record keeping, including specific method for collecting and maintaining records and making them available to the EPA upon request.
6. Maintain copies of EPA certifications for all in-house and contracted technicians working at the facility.
7. Develop written policies and procedures for each of the following aspects of refrigerant handling and use:
 - Unintentional venting or leaking, including required reporting.
 - Refrigerant purchase requirements with a designated technician or contractor responsible for all purchases.
 - Labeling for refrigerant cylinders.
 - Refrigerant inventory and storage, including in-out control and auditing.

Leak testing process and service procedures for positive-pressure chillers.

Disposal of refrigerant equipment, parts, and lubricants.

Refrigerant safety.

8. Develop a written “Emergency Response Plan” to address major venting incidents, maximum exposure levels, and evacuation procedures.
9. Include EPA regulation compliance language in the contracts with all service organizations to ensure that they assume all liability in the event of noncompliance.
10. Make sure that your refrigerant policies and procedures are “effectively communicated to all affected personnel” through posting in the workplace and by documented compliance training programs.
11. Annually, conduct a survey to ensure that your facility is in compliance with EPA requirements.

To help in this process, the EPA publishes their *Action Guide* defining the majority of compliance requirements. Also, there are consulting firms that can provide detailed guidance in implementing a compliance program.

8

Buying a Chiller

8.1. DEFINING CHILLER PERFORMANCE REQUIREMENTS

The first step in purchasing a new or replacement chiller is to define the types of chillers that are acceptable and the performance capacity for it.

As discussed in Chap. 2, the type of chiller can be defined as follows:

- Vapor compression cycle, reciprocating compressor, electric-drive
- Vapor compression cycle, rotary compressor, electric-drive
- Vapor compression cycle, reciprocating compressor, engine-drive
- Vapor compression cycle, rotary compressor, engine-drive
- Absorption cycle, 2-stage, indirect-fired
- Absorption cycle, 2-stage, direct-fired

To define capacity and performance requirements for any chiller, the following parameters must be specified:

- Maximum cooling capacity (tons)
- Chilled water supply temperature (°F)
- Chilled water return temperature (°F)
- Chilled water flow rate (gpm)
- Maximum evaporator pressure drop (ft wg)

- Evaporator fouling factor (usually 0.00010)
- Condenser water return temperature (°F)
- Condenser water supply temperature (°F)
- Condenser water flow rate (°F)
- Maximum condenser pressure drop (ft wg)
- Condenser fouling factor (usually 0.00025)
- Electrical service: V/ph/Hz
- Maximum sound power level (dBA)

For electric-drive chillers, the motor requirements and allowable input energy requirements must be specified:

- Allowable motor type (hermetic and/or open)
- Motor FLA
- Maximum kW/ton at full load.
- Maximum IPLV (kW/ton)

For engine-drive chillers, the engine parameters must be specified:

- Engine type and fuel(s)

For indirect-fired absorption chillers, the steam or hot water parameters must be specified:

- Steam operating pressure (psig)
- Maximum steam flow rate (lb/hr)
- or
- High temperature hot water temperature (°F)
- High temperature hot water flow rate (gpm)

For direct-fired absorption chillers, the burner parameters must be specified:

- Burner type
- Burner horsepower (hp)
- Fuel(s)
- Maximum firing rate (Btu/hr)
- Minimum firing efficiency (%)

To compare the seasonal energy performance of alternative chillers, it is necessary to (1) specify the load weighing factors and condensing conditions to be applied to compute an NPLV and (2) *require the chiller vendors to provide the input energy or fuel requirement at 25, 50, 75, and 100% cooling load for each alternative chiller.* The weighing factors can be determined from the cooling load profile (as discussed in Chap. 2), while condensing temperatures can be estimated from weather data and the method of condenser water temperature control.

8.2. ECONOMIC EVALUATION OF CHILLER SYSTEMS

The designer and/or owner should evaluate the total owning and operating cost of each alternative chiller that will satisfy the performance requirements defined in Sec. 8.1.

As shown in Sec. 2.3, chillers rarely operate for long at maximum capacity and it is rarely sufficient to simply compare chiller peak load energy consumption in order to make a purchase decision. The IPLV part load value, required by ARI 550/590-98 for electric-drive chillers, can be used to compare alternative chiller seasonal energy consumption using a common rating method. All other factors being equal, the chiller with the lower IPLV will have lower seasonal operating costs.

However, as discussed in Sec. 2.4.3, the IPLV rating is only directly applicable to the single chiller installation where the condenser water supply temperature is allowed to fall as the outdoor wet bulb temperature falls. Anytime multiple chillers are used, particularly if careful control allows the chillers to be used in or near their optimum efficiency range of 40–80% of rated capacity, the IPLV has little validity. Likewise, if control of the condenser water temperature control method does not allow the supply temperature to go as low as 65°F, then the IPLV is not valid.

A variety of chiller components (tube quantity, shell length, compressor size/quantity) can be selected by a chiller manufacturer in order to best satisfy a given load profile. Because chillers can be customized for optimum performance *life cycle costing* is the best way to compare alternative chiller selections. It provides for a consistent method of analyzing the economic aspects of each chiller and allows realistic comparison so that the most cost-effective, e.g., lowest life cycle cost chiller can be selected. The process is basically simple and requires only that each potential chiller be evaluated using the same criteria. The result is an “apples-to-apples” comparison, not “fruit salad.”

The computations required to determine life cycle cost utilizing the *total owning and operating cost* methodology are simple. However, the methodology’s accuracy depends wholly on the accuracy of the data utilized. Anyone can calculate “garbage” life cycle costs simply because they use data and/or assumptions that are “garbage.” Two different individuals, faced with the same evaluation may compute wildly different life cycle costs because they use significantly different data and/or assumptions in their computations.

The following subsections define the basic elements that make up the life cycle cost.

8.2.1. First Costs

The initial capital costs associated with each potential chiller are all of the costs that would be incurred in the design and construction of that chiller. Equipment

costs can be obtained directly from the prospective equipment vendors. Installation cost estimates can be obtained from local contractors or, lacking that, from cost data published by R. S. Means Co., Inc. (Construction Plaza, 63 Smiths Lane, Kingston, MA 02364-0800, 781/585-7880 or 800/334-3509).

The construction cost estimate must include the following, in addition to the cost of the chiller itself:

Vapor compression cycle chiller ancillary costs:

1. Refrigeration room safety requirements (ASHRAE Std. 15)
2. Additional ventilation required for open motor.
3. Noise and vibration control.
4. Fuel piping, exhaust venting, and noise abatement for engine-drive chiller.

Indirect-fired absorption cycle chiller ancillary costs:

1. Additional mechanical room area.
2. Additional floor slab or foundation structural requirements.
3. Additional condenser water system elements, including larger piping, pumps, and cooling tower.
4. Back-up generator.

Direct-fired absorption cycle ancillary costs:

1. Same as for indirect-fired absorption chiller.
2. Additional mechanical room height.
3. Combustion air inlets.
4. Combustion venting (breeching, stack, etc.)

General and overhead costs:

1. Concrete housekeeping pad
2. Rigging
3. Demolition
4. Electrical power
5. Controls
6. Contractor Overhead (Insurance, bonds, taxes, and general office operations, special conditions), typically 15–20%
7. Contractor Profit, typically 5–20%

Other costs that may be included in the capital requirement are design fees, which may increase or decrease as a function of the selected alternative; special consultants' fees; special testing, etc. Also, chilled water and/or condenser water piping may change configuration and cost between alternative chillers.

Unless the cost of the chiller is being met from operating revenues, at least a portion of the capital expense will be met with borrowed funds. The use of this

money has a cost in the form of the applied *interest rate* and information about the amount of borrowed funds, the applied interest rate, and the period of the loan must be determined for the analysis. The total capital cost, including principal plus interest, then can be computed using Eq. (8.1).

$$C = A + \{B \times n \times [i / [1 - (1 - i)^{-n}]]\} \quad (8.1)$$

where C is the total capital cost, \$, A is the first cost out-of-pocket, \$; B is the borrowed funds, \$; i is the interest rate (decimal value); and n is the number of years of loan.

8.2.2. Annual Recurring Costs

Once the chiller is placed into operation, two annual recurring costs must be met each year of its economic life: energy costs and maintenance costs.

The economic life for an alternative is the time frame within which it provides a positive benefit to the owner. Thus, when it costs more to operate and maintain a piece of equipment than it would to replace it, the economic life has ended. Typically, the economic life (sometimes called “service life”) is the period over which the equipment is expected to last physically. The economic life for reciprocating compressor chillers is normally selected as 15 years, while rotary compressors and absorption chillers have an expected economic life of 23 years.

The computation of energy cost requires that two quantities be known: (1) the amount of electrical energy consumed by the chiller and (2) the unit cost or rate schedule for that energy. The second quantity is relatively easy to determine by contacting the utilities serving the site or, for some campus facilities, obtaining the cost for steam or power. That may be furnished from a central source.

The energy cost, then, is computed by multiplying the electrical energy consumption by the unit cost for electricity. Annual energy consumption is computed from the cooling load profile (discussed in Chap. 2) and the part load performance data provided by the vendors in accordance with Table 8.1 for each alternative chiller.

Annual recurring maintenance cost is a very difficult element to estimate. Lacking other information, the annual routine maintenance cost associated with chillers can be estimated as 1–3% of the initial equipment cost.

8.2.3. Nonrecurring Repair and Replacement Costs

Nonrecurring costs represent repair and/or replacement costs that occur at intervals longer than 1 year. For example, a compressor may require significant repair (or even replacement) after 10–15 years of service. These costs must be determined and the year of their occurrence estimated.

TABLE 8.1. Chiller Utilization Profile

Load %	Load (tons)	Hours per year	Condenser water temperature entering chiller (°F)
100			
75			
50			
25			

8.2.4. Total Owning and Operating Cost Comparison

The total owning and operating cost for a chiller alternative and its associated condenser water pump, over the system economic life, can be computed using Eq. (8.2).

$$\begin{aligned} \text{Life Cycle Cost} = & C + (\text{Sum of Repair/Replacement Costs}) \\ & + [(\text{Economic Life}) \times (\text{Annual Energy Cost} \\ & + \text{Annual Maintenance Cost})] \end{aligned} \quad (8.2)$$

C in this equation is the total capital cost computed from Eq. (8.1).

8.3. PROCUREMENT SPECIFICATIONS

Recommended specifications for both reciprocating compressor and rotary compressor water chillers are provided in Appendix B. Each specification includes numerous options and, therefore, must be edited carefully before use.

9

Cooling Tower Fundamentals

9.1. COOLING TOWERS IN HVAC SYSTEMS

As discussed in Chap. 1, in water-cooled HVAC systems, the cooling tower has the role of rejecting the heat collected during the space cooling process to the ambient atmosphere. In addition, the inefficiencies of the water chiller represent heat that is added to the condenser water circuit and must be rejected by the tower.

Once a design temperature range for the condenser water is established, the condenser water flow rate can be determined from Eq. (9.1):

$$F_{cdw} = [\text{Total Heat Rejection}] / (500 \times \text{Range}) \quad (9.1)$$

where F_{cdw} = condenser water flow rate, gpm; Total Heat Rejection = cooling system load + heat of compression, Btu/hr; and Range = condenser water temperature rise, °F.

The total heat rejection value for Eq. (9.1) can be determined from the compressor power input, as shown in Table 9.1.

As the condenser water flows through the tower, this heat is rejected to the ambient air and the condenser water is cooled, primarily through evaporation of a small percentage of the total water flow. Evaporation is a process by which heat is absorbed by air and the remaining condenser water is cooled to the desired leaving temperature.

TABLE 9.1. Refrigeration System Total Heat of Rejection

Compressor input power (kW/ton)	Approximate heat of compression (%), including 2% for condenser water pump(s)	Total Heat Rejection (Btu/ton)
0.8	25	15,000
0.7	22	14,640
0.6	19	14,280
0.5	16	13,920
0.4	14	13,680

All of the data presented in Table 9.1 is based on the use of electric-drive vapor compression cycle systems. With *absorption cycle chillers*, the amount of heat that is added to the cooling load, and which must be rejected through the cooling tower, is approximately 20–50% greater than for an electric-drive chiller. Therefore, the condenser water flow rate, for the same range, will be approximately 20–50% higher (or, for the same flow, the range must be approximately 20–50% greater).

9.2. CONDENSER WATER SYSTEM ELEMENTS

The four elements of any condenser water system (discussed in Chap. 11) include the following:

Condenser: The condenser is usually an integral part of the water chiller (though separate refrigerant condensers are sometimes used). Typically, the condenser is a shell-and-tube heat exchanger with the refrigerant in the tubes, surrounded by condenser water in the shell. Heat transfer takes place across the tube wall.

Condenser Water Pump: The pump circulates condenser water from the cooling tower basin, through the piping system and the condenser, finally returning the water to the cooling tower wet deck.

Condenser Water Piping: The piping for condenser water transport is between the cooling tower and the condenser.

Cooling Tower: A device designed to reject heat from the condenser water to the ambient air.

Every cooling tower, no matter how configured or constructed, must have the elements shown in Figure 9.1 (and discussed in Chap. 10).

Fill: Heat transfer media in the cooling tower. Fill is designed to maximize the “contact” between the return condenser water and the ambient air.

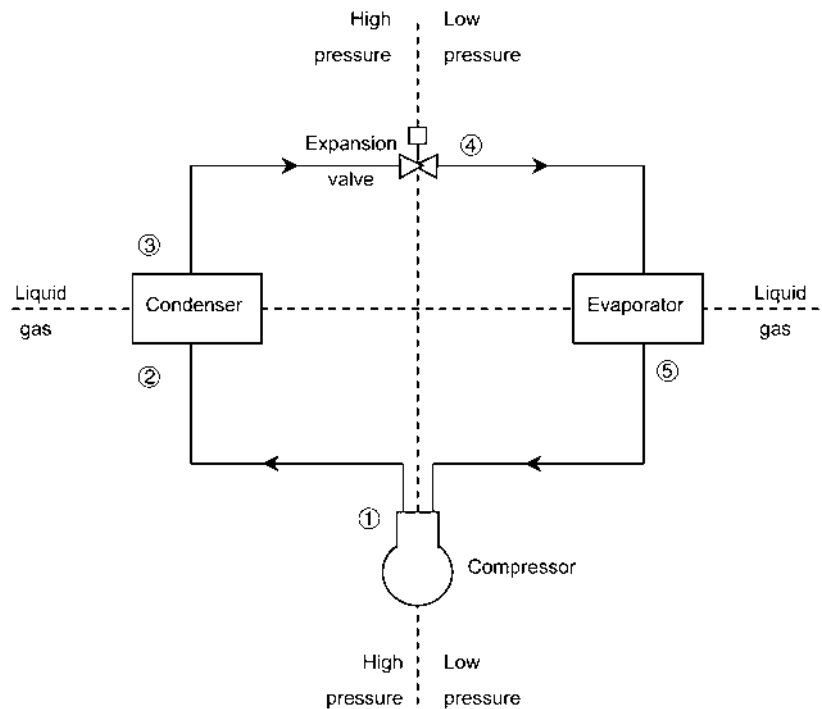


FIGURE 9.1. Cooling tower elements.

The better the contact, obviously better evaporation and heat transfer occurs.

Hot Water Distribution ("Wet Deck"): Pans or basins with metering outlets or spray nozzles designed to provide an even distribution of the return condenser water entering the fill.

Cold Water Basin: The basin, either as an integral part of the tower or as a separate sump, collects the water passing through the tower for supply to the system by the condenser water pump. The basin must also be sized to contain enough water to supply the condenser water system until the pump returns water to the tower.

Fan(s): All cooling towers used for HVAC applications are *mechanical draft* towers that use one or more fans to provide airflow through the tower.

Inlet Louvers and Drift Eliminators: Inlet louvers act to force the air entering the tower into as straight and even flow pattern as possible, while the drift eliminators are designed to trap and remove any entrained water droplets that may be in the tower's leaving air.

9.3. NOMENCLATURE

As shown already, cooling towers and condenser water systems have their own vocabulary that must be mastered, as follows:

Approach: Difference between the condenser water supply temperature and the entering wet bulb temperature, °F.

Blowdown or Bleedoff: Condenser water purposely discharged from the system to control concentration of solids or other impurities in the water.

British Thermal Unit (Btu): Amount of heat required to raise or lower the temperature of one pound of water by 1°F.

Capacity: Total amount of heat that the cooling tower can reject at a given flow rate, approach, and ambient wet bulb temperature.

Casing: Exterior tower walls, excluding the louvers.

Cell: Smallest tower subdivision that can operate independently. Usually, a tower cell is designed with independent water and airflow and cells are controlled individually as a function of imposed overall cooling tower load.

Counter Flow: Water flow path is configured at 180° to the airflow path, i.e., the two flows are in opposite directions.

Crossflow: Water flow path is configured at 90° to the airflow path, i.e., the two flows are perpendicular to each other.

Double-Flow: A crossflow tower where two opposed fill banks and air intakes are served by common fan and air plenum. (Called a “twin-pack” in Great Britain.)

Drift: Unevaporated water droplets that are lost from the cooling tower.

Eliminators: An assembly of baffles or other devices to remove entrained water droplets from the air leaving the cooling tower.

Evaporation (Loss): Condenser water that undergoes a phase change from liquid to vapor and exits the tower as part of an air–vapor mixture.

Fill: Heat transfer media or surface within the tower, designed to maximize the air–water contact surface area.

Float Valve: A make-up water control valve activated by a mechanical float mechanism.

Forced Draft: Airflow is “pushed” through the cooling tower by one or more fans at the air inlet(s), resulting in the tower being under positive pressure.

Head: Pressure required to be developed by the pump to overcome pressure losses due to friction through the condenser water piping and the condenser itself, the static lift required at the cooling tower, and any residual pressure required by the cooling tower nozzles feet of water column.

Induced Draft: Airflow is “pulled” through the cooling tower by one or more fans at the air outlet(s), resulting in the tower being under negative pressure.

Inlet Louvers: Blades or other assemblies designed to (1) prevent water from splashing out of the tower and (2) promote uniform airflow through the fill.

Lift: Static head represented by the height (in feet) between the water level in the cooling tower basin and the wet deck water entry point, feet of water column.

Make-Up (Water): Water added to offset water lost to evaporation and drift.

Mechanical Draft: Airflow through the tower is produced by one or more fans.

Natural Draft: Airflow through the tower is produced by air density differences produced by air temperature rise, i.e., chimney effect.

Nozzle: Device to control water flow through a cooling tower. Normally, nozzles are designed to produce a spray pattern by either pressure or gravity flow.

pH: Measurement of the acidity or alkalinity of condenser water.

Plume: Water vapor and heated air mixture discharged from a cooling tower. (When condensation occurs, the water vapor becomes visible and this is sometimes considered objectionable.)

Psychrometer: A two-thermometer device for simultaneously measuring wet bulb and dry bulb temperatures of ambient air.

Range: Condenser water temperature increase (rise) in the condenser and decrease (drop) in the cooling tower, °F.

Recirculation: Air leaving the cooling tower that re-enters the tower inlet, elevating the tower entering wet bulb temperature.

Temperature (Air): Air temperature conditions that effect condenser water systems include:

Dry Bulb Temperature: Dry bulb temperature (°F) of the air upwind from the cooling tower, unaffected by recirculation or other cooling towers.

Ambient Wet Bulb Temperature: Wet bulb temperature (°F) of the air upwind from the cooling tower, unaffected by recirculation or other cooling towers.

Entering Wet Bulb Temperature: Wet bulb temperature (°F) of the air entering the tower, the product of the ambient air wet bulb temperature and any recirculation air wet bulb temperature. (Ideally, recirculation is zero and the entering wet bulb temperature is the ambient wet bulb temperature.)

Wind Load: Structural load imposed by wind blowing on the tower casing, psf.

9.4. COOLING TOWER HEAT TRANSFER

Heat is transferred from a water droplet to the surrounding air by both sensible and latent heat transfer processes. Figure 9.2 illustrates a typical water droplet and the heat transfer mechanisms.

This heat transfer process can generally be modeled using the Merkel Equation [Eq. (9.2)]:

$$KaV/L = \int_{T_2}^{T_1} dT/(h_w - h_a) \quad (9.2)$$

where KaV/L = cooling tower characteristic; K = mass transfer coefficient, lb water/hr ft²; a = contact area/tower volume, 1/ft; V = active cooling volume/plan area, ft, L = water mass flow rate, lb/hr ft²; T_1 = entering (hot) water temperature, °F; T_2 = leaving (cold) water temperature, °F; T = bulk water temperature, °F, h_w = enthalpy of air–water vapor mixture at bulk water temperature, Btu/lb of dry air; h_a = enthalpy of air–water vapor mixture at wet bulb temperature, Btu/lb of dry air.

The amount of heat removed from the water must be equal to the heat absorbed by the surrounding air as shown by Eq. (9.3):

$$L/G = (h_2 - h_1)/(T_1 - T_2) \quad (9.3)$$

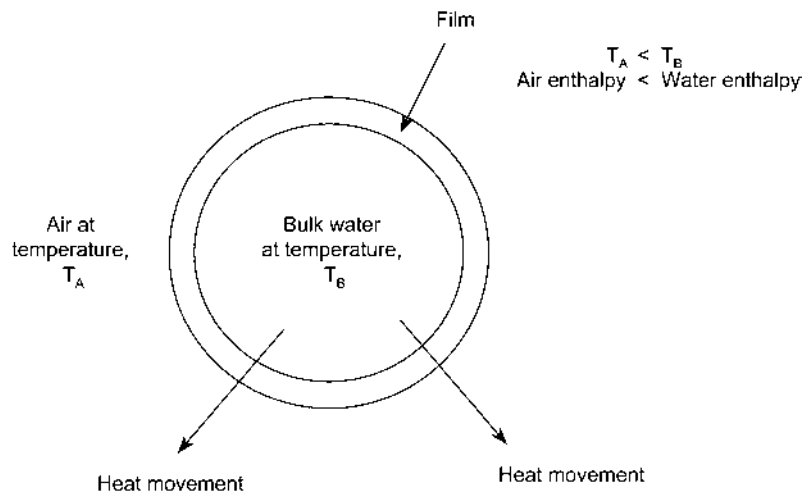


FIGURE 9.2. Water droplet with surface film.

where L/G = water to air mass flow ratio, lb of water/lb of air, h_1 = enthalpy of air–water vapor mixture at inlet wet bulb temperature, Btu/lb of dry air, h_2 = enthalpy of air–water vapor mixture at exhaust wet bulb temperature, Btu/lb of dry air.

While the tower characteristic can be calculated from Eq. (9.2) using numerical methods, it can also be represented graphically as shown in Figure 9.3. In this figure, the graphical variables are defined as follows:

C'	entering air enthalpy at entering air wet bulb temperature T_{wb} , Btu/lb of dry air
BC	initial enthalpy driving force
CD	air operating line with slope L/G
DEF	projecting the leaving air point onto the water operating line and then onto the temperature axis yields the outlet wet bulb temperature, °F
ABCD	the area within this region is the graphical solution to the cooling tower characteristic

For any given graphical solution, if the tower characteristic remains constant, an increase in imposed heat rejection load will have the following effects:

1. The length of the line CD will increase and shift to the right.
2. Both T_1 and T_2 will increase.
3. The range and the approach areas will increase.

The Cooling Technology Institute (CTI) developed their *CTI Blue Book* many years ago to provide a compendium of graphical solutions to Eqs. (9.2) and (9.3) for use by cooling tower designers and manufacturers. In recent years, computer

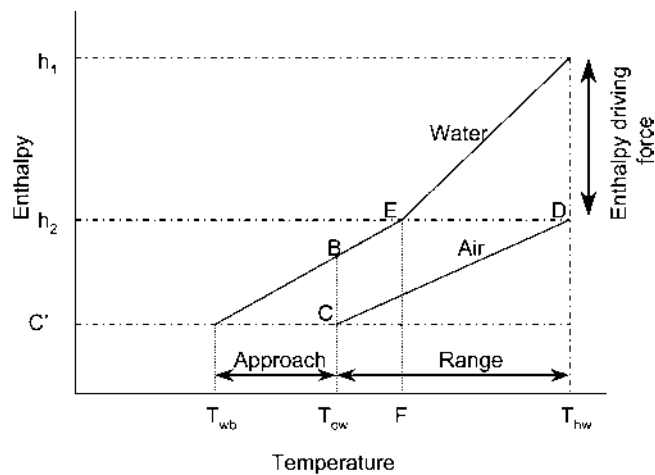


FIGURE 9.3. Graphical representation of the cooling tower characteristic.

software to aid tower design has become common and numerical methods have supplemented the CTI charts.

In HVAC applications, there are essentially no “custom” cooling towers (except in a few very special cases). Manufacturers have designed a range of cooling towers whose characteristics are well defined. For any HVAC application, it is only necessary to use the specified flow rate, range, and ambient wet bulb temperature to compute a required tower characteristic and then test that required characteristic against those available in the product line.

Manufacturers provide catalog data and selection software for the purpose of selecting a cooling tower for a specific application. *But, since most HVAC designers and the purchasers of towers are not expert in the use of a particular manufacturer’s catalog or selection software, it is always prudent to have the tower manufacturer perform any required tower selection. Then, if an error is made, the manufacturer will have to make good on the tower, not the designer or buyer.*

The cooling tower’s evaporative cooling process can be shown on a psychrometric chart as illustrated by Figure 9.4. The change in condition of a point of dry air as it moves through the tower and contacts a pound of water (e.g., $L/G = 1$) is shown by the solid line. Ambient air, at 78°F DB and 50% RH, enters the tower at Point 1 and begins to absorb moisture in an effort to gain equilibrium with the water. This process continues until the air exits the tower at Point 2. During this process, the following conditions changed:

1. The air enthalpy increased from 30.1 to 45.1 Btu/lb of dry air, an increase of 15 Btu/lb of dry air. This heat came from the one pound of water, reducing its temperature by 15°F.
2. The specific humidity of the 1 lb of air increased from 0.0103 lb of moisture to 0.0233 lb of moisture. This increase of 0.013 lb of moisture represents the amount of condenser water that was evaporated. Using the latent heat of vaporization at 85°F, the heat transfer due to evaporation is $0.013 \text{ lb} \times 1045 \text{ Btu/lb}$ or 13.6 Btu, 91% of the total 15 Btu of heat transferred to the air.
3. The condenser water temperature was reduced by 15°F, while the air temperature was increased by only 3.3°F (from 78 to 81.3°F).

9.5. COOLING TOWER PERFORMANCE FACTORS

The selection of a cooling tower for a specific set of required performance parameters (condenser water flow rate, selected range, and ambient wet bulb temperature) results in establishing a required cooling tower characteristic. But, what is the impact if the required performance changes?

As shown in Figure 9.3, there are three factors that define the requirements for a specific cooling tower characteristic:

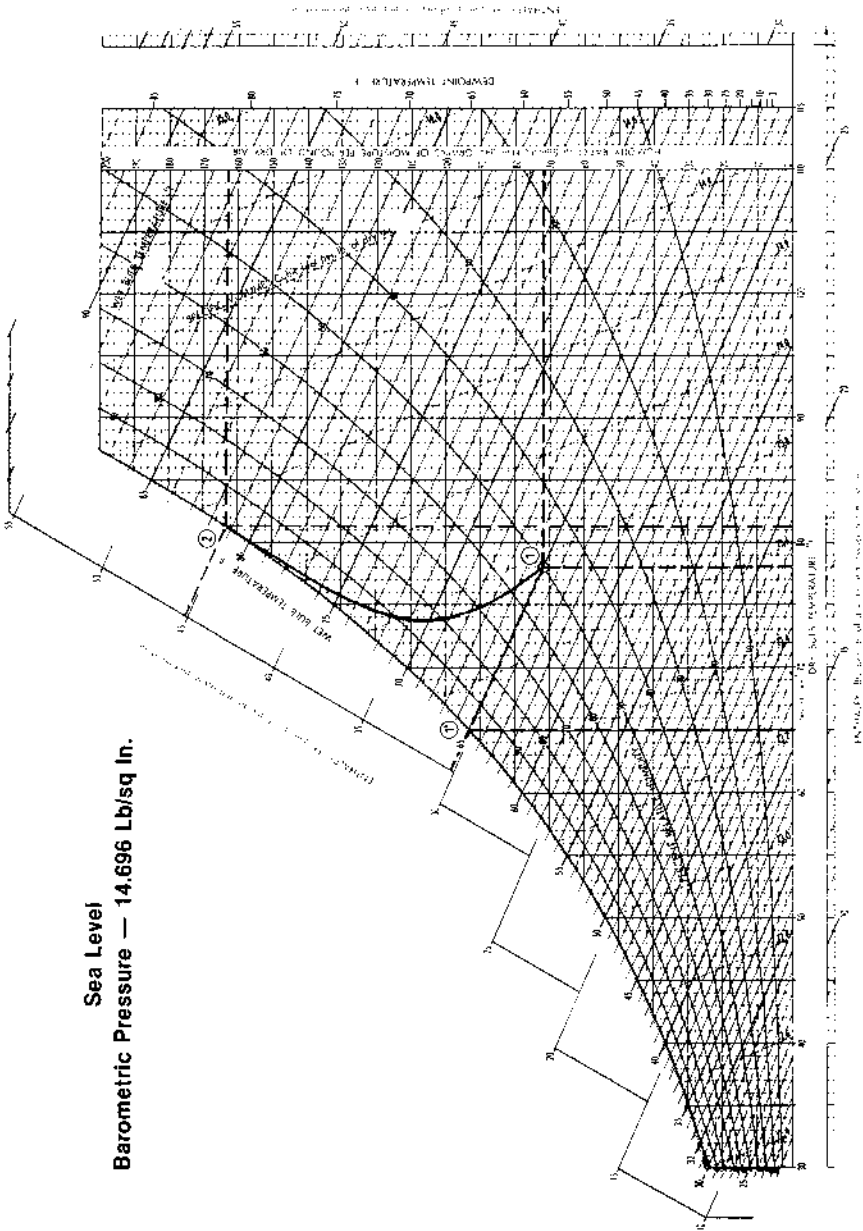


FIGURE 9.4. Air–water temperature curve. (Courtesy of the Marley Cooling Tower Company, Overland Park, Kansas.)

1. Entering (ambient) air wet bulb temperature.
2. Condenser water flow rate.
3. Approach.

Once a tower is selected, i.e., the cooling tower characteristic is established, changes in any of these three factors may necessitate a change in the cooling tower. Typically, the performance parameters that are subject to change include the following:

1. Increase of entering wet bulb temperature. Too often, the wrong ambient wet bulb temperature is selected for tower sizing.
2. Increase of rejected heat load. This may dictate increasing the condenser water flow rate and/or increasing the range.

A change in wet bulb temperature and/or a change in range will result in a change in approach. Therefore, there are three performance impact relationships as shown in Figures 9.5–9.7.

Figure 9.5 illustrates the impact of changing the tower approach by either changing the design wet bulb temperature and/or changing the condenser water range. Obviously, a relatively small increase in required approach will require a much higher cooling tower characteristic.

Figure 9.6 illustrates the impact of changing the tower load by changing the water flow rate, while Figure 9.7 illustrates the impact of changing tower load by changing condenser water range (without impacting approach). These two variables have a smaller impact on the cooling tower characteristic.

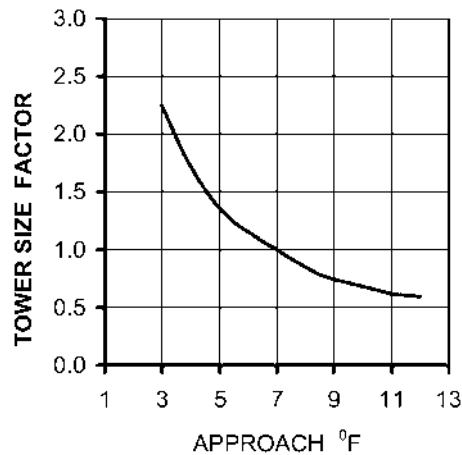


FIGURE 9.5. Variation in tower size factor with approach.

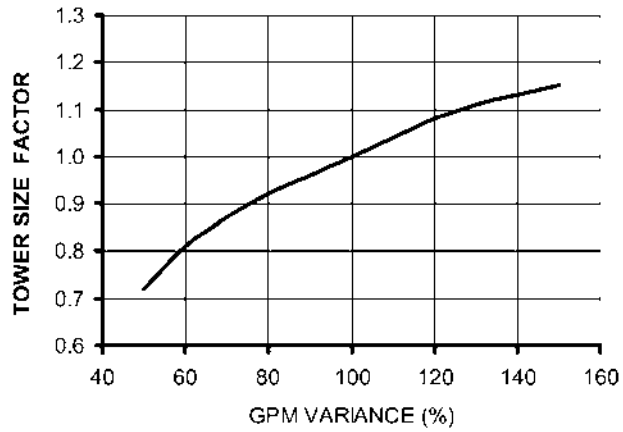


FIGURE 9.6. Variation in tower size factor with condenser water flow rate.

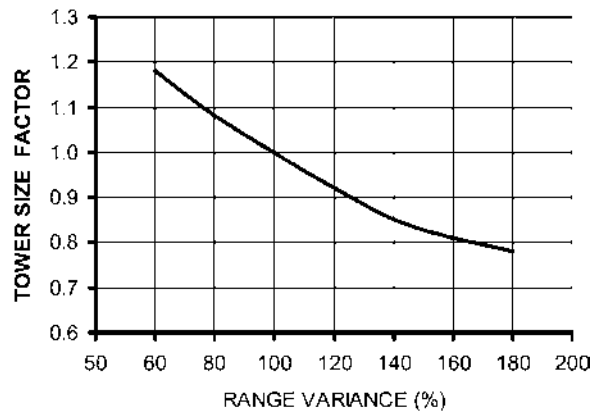
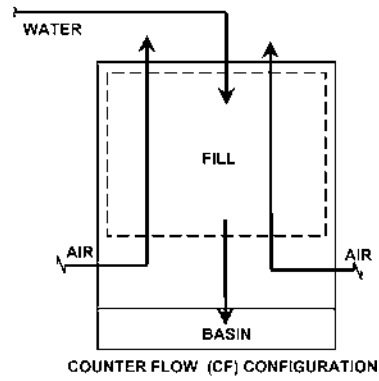
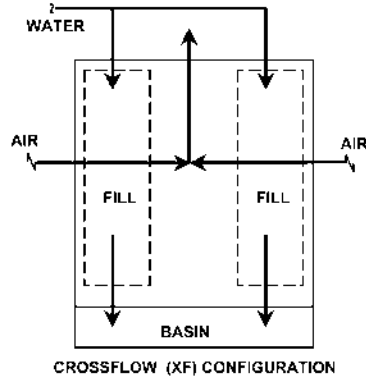


FIGURE 9.7. Variation in tower size factor with range.

9.6. BASIC COOLING TOWER CONFIGURATION

Chapter 11 describes the various configurations of HVAC cooling towers and the particular advantages and disadvantages associated with each. However, basic tower configurations are very simple, as shown in Figure 9.8, and are dictated by (1) the direction of the air vs. water flow through the tower fill and (2) the location of the tower fan(s)

A. AIR/WATER FLOW



B. FAN(S) LOCATION

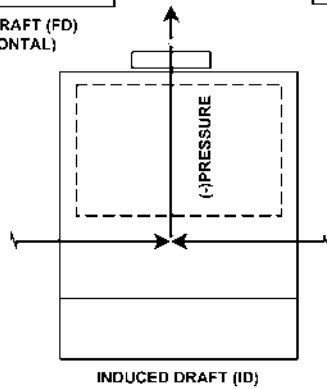
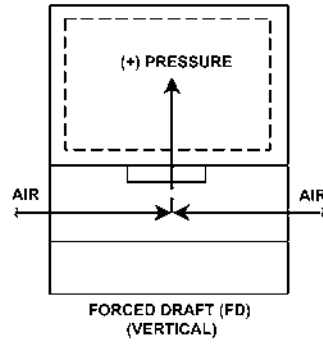
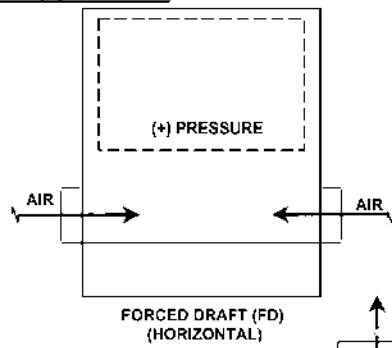


FIGURE 9.8. Cooling tower configurations.

Air/Water Flow: In *counterflow* towers, the water and air flow in opposite directions, the water flows vertically downward and the air flows vertically upward. In *crossflow* towers, the two flow streams are arranged at 90° to each other, i.e., the water flows vertically downward through the fill, while the air flows horizontally through it.

Fan Location: The tower is defined as *forced draft* when its fan(s) is arranged to blow air through the tower. In this configuration, the fan(s) is located on the entering-air side of the tower and the fill is under positive pressure. In *induced draft* towers, the fan(s) is located on the leaving-air side of the tower and the fill is under negative pressure.

For many years, one manufacturer (Baltimore AirCoil, Inc.) offered an “induction draft” or “venturi” cooling tower, as shown in Figure 9.9, for the HVAC market. In lieu of a fan, the return condenser water was sprayed horizontally through high velocity nozzles into a venturi chamber, much like the throat of an automobile carburetor. The high velocity water flow through the venturi created a low pressure region that (1) induced airflow through the tower and (2) tended to vaporize the water. Since air- and water-flow were in the same

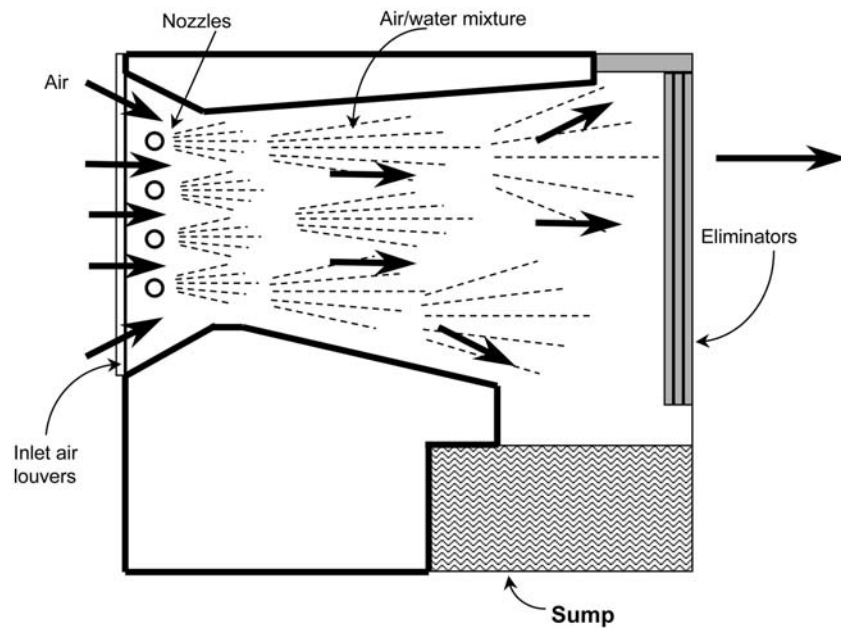


FIGURE 9.9. Induction draft or Venturi cooling tower configuration.

direction, this tower would be classed as a “parallel” flow type. Since there is no fill, this was a “spray fill” tower. The high water pressure required by the tower significantly increased the pump horsepower requirement, more or less offsetting the fan energy savings. This problem was mitigated by using a two-speed pump motor and operating the tower at low speed when the outside ambient wet bulb temperature was low. This tower suffered from both performance and maintenance problems and is no longer available except by special order.

10

Cooling Tower Components

As described in Chap. 9, every HVAC cooling tower has six functional components: fill, wet deck, basin, fan(s), inlet louvers, and drift eliminators. To this list we must also add the two structural elements: the structural frame and the casing.

10.1. FILL

The function of the tower fill is to provide a large “contact area” between the water flow and the air flow to promote evaporation and heat transfer.

10.1.1. Spray Fill

Very early, it was recognized that by breaking the water flow into droplets the contact area between the water flow and air flow increased due to the increased water surface area exposed to the air. Thus, the use of water sprays represents the earliest concept used to improve the efficiency of evaporation and heat transfer.

In the mid-1800s, spray ponds were used to provide condensing for the ice-making refrigeration systems then in use. These ponds, however, had relatively low efficiency and high drift losses that motivated a search for a better method. Then, in 1898, George Stocker is credited with building the first “cooling tower.” This “atmospheric” tower consisted simply of wooden, louvered walls built around a spray pond.

Over time, improvements such as draft chimneys were implemented and, in the 1920s, the use of mechanical draft fans significantly improved airflow rates, decreasing L/G ratios and improving performance.

Spray fill really isn't "fill" at all. The water is sprayed through nozzles to create as fine (small) droplet size as possible. The spray, then, is contained by the tower casing (walls), creating a water-filled plenum through which the airflow is directed. Spray density ranges from 3 to 7 gpm/cf of tower volume.

The overall efficiency of spray fill is relatively low, requiring large towers with high airflow rates compared to other types of fill. Thus, spray fill is not used in HVAC cooling towers.

10.1.2. Splash Fill

The next step in improving cooling tower efficiency was made by introducing splash fill in the 1940s. Since most cooling towers of that era were constructed of wood, splash fill was fabricated from wooden slats that were then stacked in the tower air plenum to create a "cascading" path for the water as it fell by gravity through the tower. Fill slats were either flat or triangular shaped, which tended to reduce the airflow pressure drop, as shown in Figure 10.1.

Wooden splash fill remained in use until the 1980s, but modern splash fill is typically constructed of vacuum-formed PVC slats or V-shaped bars that are designed to provide good droplet formation and eliminate the rot problem common to wood in wet environments.

Ceramic fill is an alternative splash fill material sometimes used in HVAC applications. Formed from fired, ceramic shapes, this fill is stacked to create a splash fill form. Ceramic fill is virtually impervious to rot or corrosion, but is very expensive compared to other types of fill.

10.1.3. Film Fill

Film fill was introduced in the 1960s and created a new concept in cooling tower design. Instead of breaking the water flow into fine droplets, film fill provides large surface areas over which the water flows. With the large areas and slower "falling" speeds than splash fill, the water forms a thin sheet or film as it flows across the fill surfaces, creating large air-water contact area and efficient evaporation heat transfer.

Film fill is typically constructed of thin sheets of vacuum-formed PVC, stacked in vertical layers and formed with corrugations to ensure even water distribution over the entire fill surface. This configuration has low resistance to airflow; the air pressure drop through the tower is low. Typical film fill is shown in Figure 10.2.

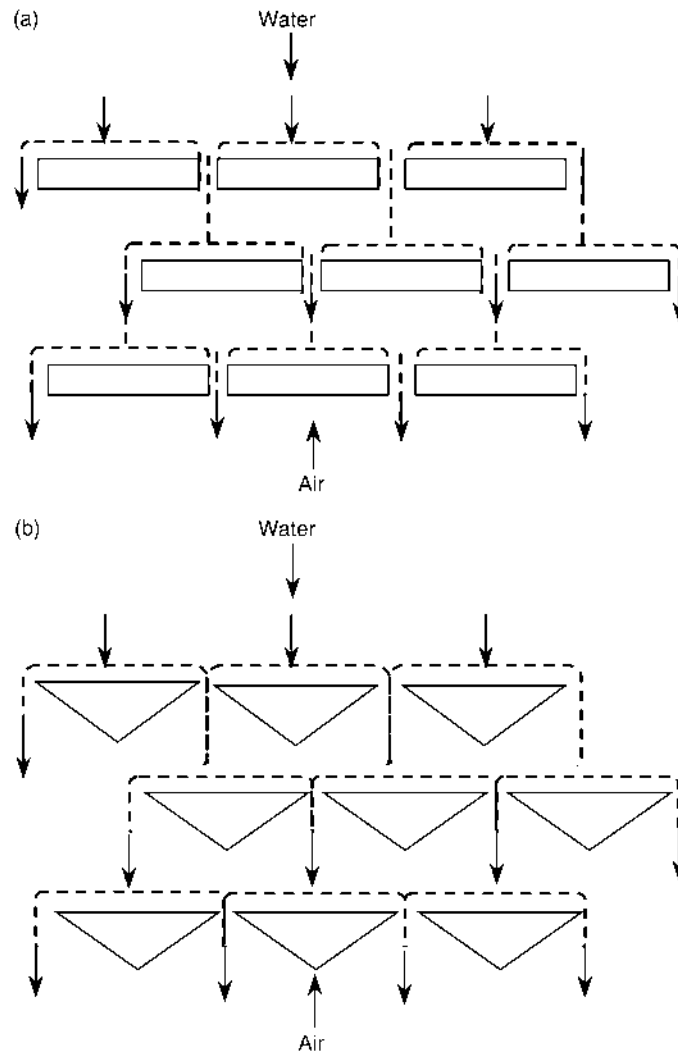


FIGURE 10.1. (a) Flat slat splash fill. (b) Triangular slat splash fill.

Film fill is both less costly and more efficient than splash fill. The higher efficiency results in a significantly smaller tower (higher tower characteristic) for an equivalent capacity. Thus, most HVAC towers applied today utilize film fill. The disadvantage of film fill is that the large surface area and correspondingly small water passages are sometimes susceptible to (1) clogging by debris build-up (from leaves, dirty water, etc.) and (2) microbiological fouling, since

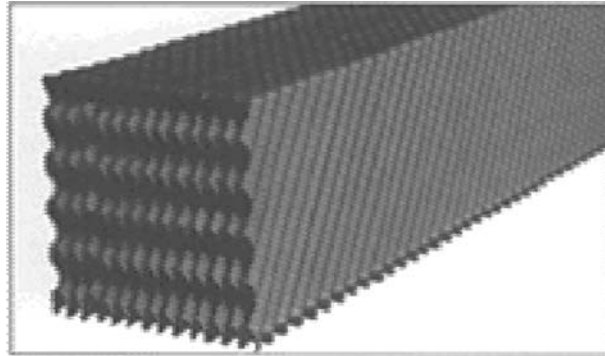


FIGURE 10.2. Typical cooling tower film fill. (Courtesy of Evapco, Inc., Westminster, Maryland.)

mechanical cleaning cannot be done unless the fill is removed from the tower and disassembled (an expensive and time-consuming job).

10.2. STRUCTURAL FRAME

A structural framing system is required to support the wet deck, fan(s), fill, intake louvers, and drift eliminators. Casing is required to enclose the fill and to create the tower air and water flow path.

10.2.1. Wooden Structure

Early cooling towers were constructed with wooden structural frames and redwood, because of its natural resistance to rot under wet conditions, was the wood of choice. However, by the 1960s, the increased cost and reduced availability of redwood forced the industry to shift to West Coast Douglas fir.

Fir, however, has almost no natural resistance to wet rot and must be chemically treated for use in cooling towers. The use of wood preservatives has significant undesirable environmental side effects, so, today, only under very special circumstances are wooden towers considered for HVAC applications, though they remain in common use for large industrial applications. If fir is to be used, it should be specified to meet the requirements of CTI Standard 114 and all fasteners should meet the requirements of CTI Standard 119.

One of the drawbacks to a wooden structure cooling tower is that most property insurance companies will require that it be protected by a fire sprinkler system installed in accordance with the National Fire Protection Association (NFPA) Standard 214 (see Chap. 14). While it may seem odd that a cooling tower needs fire protection, wood is highly combustible and fires in

cooling towers that are out of service has been a relatively common occurrence. For this reason, and the fact that wooden towers in smaller sizes are no longer cost competitive, wooden structure cooling towers are rarely used for HVAC applications today.

10.2.2. Steel Structure

Since the 1950s, steel has become the structural framing system of choice for HVAC cooling towers. To reduce the effects of corrosion in a wet tower environment, two types of steel are used, as follows.

10.2.2.1. Galvanized Steel

Mild carbon steel is coated with zinc, lead, and aluminum in a process called “galvanizing” to provide a corrosion barrier between the underlying steel and the air/water on the surface.

In the galvanizing process, the steel to be coated is first cleaned in a caustic bath followed by pickling in a dilute hydrochloric or sulfuric acid bath. The steel is then subjected to a fluxing operation with a zinc ammonium chloride solution.

Early galvanizing used the “wet kettle” method, in which a floating layer of zinc ammonium chloride flux was placed on the surface of molten zinc in a large open kettle. A section of sheet steel was then immersed in the molten zinc, passing through the layer of flux and remaining in the molten bath until the temperature of the steel was the same as the molten zinc. The zinc bath was then swept free of the remaining flux and the sheet removed. The sheet was then immersed in a water quench bath to cool it for handling. The quench water was usually treated with sodium dichromate to provide further protection.

Since the 1980s, galvanizing has typically been done by the “dry kettle” method. The steel sheet, now in continuous rolls, is first immersed in a kettle of zinc ammonium chloride flux and then removed and allowed to dry. The fluxed steel sheet is then dipped into the molten zinc bath. It is removed after heating and sent through a water quench bath.

While the dry kettle method has been found to provide a higher quality surface finish, using a much cleaner process, there remains a significant argument in the industry relative to the quality of the resulting galvanizing (see Sec. 13.2.2). Therefore, most cooling tower manufacturers and HVAC designers recommend that a protective coating of epoxy or polymer finish be added to all galvanized structural members.

One important note: sometimes literature will mention “hot dip galvanizing after fabrication” as a method of ensuring good corrosion protection. However, hot dip galvanizing after fabrication has not been available from U.S. tower manufacturers since the late 1970s.

The thickness of the galvanizing film is rated in terms of “ounces of zinc per square foot of metal surface.” Typical cooling tower galvanizing is 2.35 oz/ft², but galvanizing as thick as 7.0 oz/ft² is available from some manufacturers.

Galvanized steel structural frames are typically assembled with galvanized fasteners, although some tower manufacturers will provide an option for stainless steel. Galvanized steel is never welded since welding (1) destroys the galvanizing and (2) establishes a point for differential corrosion to start (see Chap. 13).

10.2.2.2. Stainless Steel

Stainless steels generally have less structural strength than mild carbon steel, but are far more resistant to corrosion in wet environments. Stainless steel consists of steel alloys (carbon steel plus molybdenum, nickel, and/or nitrogen) and chromium. The corrosion resistance credited to stainless steels results from an extremely thin layer of chromium oxide that forms on the steel surface when exposed to air. Over time, if the layer is damaged, the underlying chromium (minimum 10.5% of the alloy) is re-exposed and the oxide layer reforms.

Almost any steel cooling tower can be fabricated using stainless steel and most tower manufacturers offer this option.

One advantage of stainless steel members is that they can be TIG or MIG welded and the corrosion integrity maintained. Where structural fasteners are required, they are also stainless steel. (Note, however, that stainless nuts and bolts tend to “creep” with stress and age, so are difficult to remove and often cannot be reused.)

10.2.3. Other Structural Systems

In the never-ending search to improve HVAC cooling tower corrosion resistance and extend tower life, other materials are used for structural systems, as follows.

10.2.3.1. Concrete

Concrete has been used as combined structure and casing for large hyperbolic utility cooling towers for many years. However, the material is not widely used in HVAC applications due to its relatively high cost. One manufacturer does offer a line of factory-fabricated, field-erected concrete towers, but they have not had large sales.

Concrete, however, can become a desirable material for HVAC cooling towers when it is necessary to “blend” the tower into a larger architectural scheme. Using concrete, the tower can be constructed to almost any configuration to “hide” its utilitarian function. (A prime example is the Dallas-Ft. Worth Airport.)

10.2.3.2. Fiberglass

Fiberglass structural tower frames, joined with stainless steel fasteners, are offered by a few tower manufacturers for smaller HVAC cooling towers. These towers utilize structural framing members constructed of 1/4–1/2 in. thick fiberglass.

10.2.3.3. Stressed Skin Fiberglass/Stainless Steel

In the 1980s, the “bottle” cooling tower, developed around the Pacific rim, came to the United States. These towers were designed for field-assembly of two sets of curved fiberglass panels, much like “pie slices,” that were bolted together atop a simple, tubular stainless steel space frame. One set of panels formed the basin of the tower, while the other set formed the enclosure/air plenum. Once assembled, the panels acted together to form a uniform stressed skin structural system to support the fill, the wet deck, and the fan. Unfortunately, these towers suffered from severe performance and reliability problems and have generally been replaced.

10.3. CASING

A cooling tower’s casing performs two roles. First, it forms an enclosure around the fill to create a contained air path or *plenum*, forcing the airflow through the fill. Second, it simply helps to keep the water inside the tower.

Wood-framed cooling towers originally used cedar or redwood planks as tower casing. However, to reduce expense, cement-asbestos panels came into wide use in the 1950s, only to be replaced by fiberglass or UV-inhibited plastic panels in the 1980s as the environmental problems with asbestos were identified.

Galvanized steel-framed cooling towers are typically encased by galvanized steel, fiberglass, or UV-inhibited plastic panels. (If galvanized steel is used for the casing, it too should be coated with an epoxy or polymer final finish.) Stainless steel- and fiberglass-framed cooling towers are normally encased by stainless steel, fiberglass, or UV-inhibited plastic panels.

10.4. WET DECKS/WATER DISTRIBUTION

The wet deck is located at the top of the tower and its job is to distribute the incoming warm condenser water as evenly as possible over the fill to ensure uniform heat transfer.

In crossflow towers, the wet deck is not in the air stream and normally consists of shallow basins or reservoirs with evenly distributed bottom “holes” consisting of plastic, metering orifices. Warm condenser water is dumped into the basin from the return piping so as to maintain a fairly uniform depth (4–6 in.).

Thus, the gravity water flow rate through each bottom outlet will be uniform and the flow rate over each section of fill will also be the same.

Since the wet deck on a crossflow tower is open to the atmosphere, removable basin covers must be installed to keep leaves and other wind-blown debris out of them. The “wet deck” in counterflow towers is in the air stream. The wet deck consists of spray nozzles that are used to both evenly distribute the water flow over the fill and to provide initial water atomization (i.e., act as spray fill).

10.5. BASINS

The basin is located at the bottom of the tower and its job is to collect the cold condenser water for supply to the condenser water pump. Most commonly, basins are provided as an integral part of the cooling tower and are typically 12–18 in. deep. Operating water depths are usually less than 12 in.

In cold climates, where tower freezing is a problem, or when it is necessary to have a basin with more water volume capacity than normal, a remote basin (sometimes called a “sump”) may be constructed, usually of concrete. Separate sumps are sometimes used to allow the use of vertical turbine pumps (see Chap. 11).

There are three critical aspects relative to the basin:

1. It must have sufficient capacity to contain the water that will flow to it when the condenser water pump shuts down.
2. The volume of water stored in the basin must be great enough to fill all empty piping upon start-up. Otherwise, the basin may be pumped dry.
3. There must be a sufficient height of water above the condenser water supply connection to prevent *vortexing* and the introduction of air into the water flow.

See Chap. 11 for further discussion of these aspects.

10.6. INTAKE LOUVERS AND DRIFT ELIMINATORS

Intake louvers are provided on all crossflow cooling towers to help control the airflow over the fill. The louvers are spaced and slanted to direct air evenly into the fill pack.

Drift eliminators are installed on the leaving side of the fill designed to “trap” entrained water droplets and prevent them from leaving the cooling tower. Fabricated with PVC or steel, these devices force the air to make three or four high velocity directional changes (about 90° each). Water droplets, then, will impinge on the eliminators and drain back into the fill. Typically, drift eliminators are designed to limit the drift losses of an HVAC cooling tower to 0.1–0.25% of the condenser water flow rate.

10.7. FANS, MOTORS, AND DRIVES

One or more fans, connected to one or more motors via a drive assembly, provide the motive power for airflow through a mechanical draft HVAC cooling tower.

10.7.1. Fans

Two types of fans are used; centrifugal fans and axial propeller fans. Both types may be applied forced draft towers, but only propeller fans are used with induced draft towers. Both types produce airflow through the tower by increasing the static pressure (SP) and kinetic energy of the air.

With the centrifugal fan, air enters through the center portion of an impeller wheel and exits through a scroll and outlet at right angle to the inlet paths. Axial flow fans, by contrast, have a straight-through airflow path. Figure 10.3 illustrates these two fan configurations.

Fan performance characteristics are plotted for a particular rotational speed in *revolutions per minute (RPM)*, with airflow rate as the independent variable and power, SP, and efficiency as dependent variables. Figure 10.4 is a typical centrifugal fan curve. Since the fan curve is plotted for one fixed fan speed, airflow changes are affected only by changes in the system resistance.

For fans with *backward-inclined blades*, the mechanical efficiency curve peaks at a higher efficiency and at higher fractions of maximum airflow rates than do fans with *forward-curved blades*. In addition, the horsepower requirement

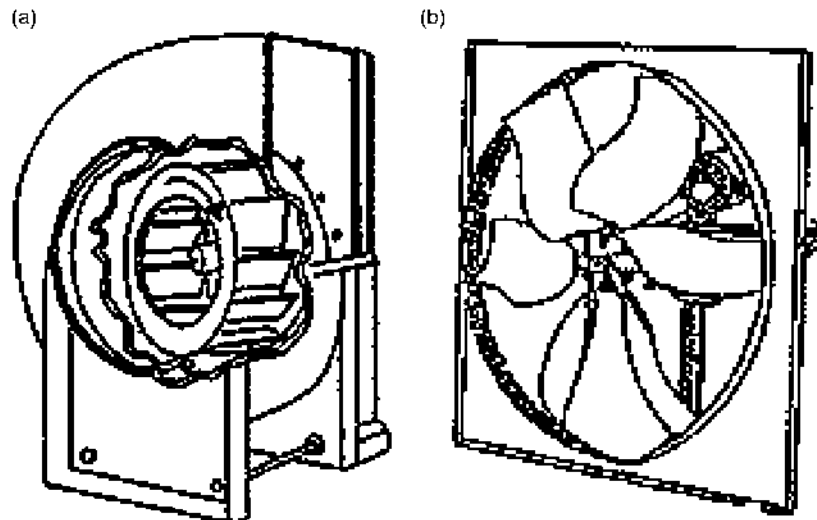


FIGURE 10.3. (a) Typical centrifugal fan. (b) Typical axial propeller fan.

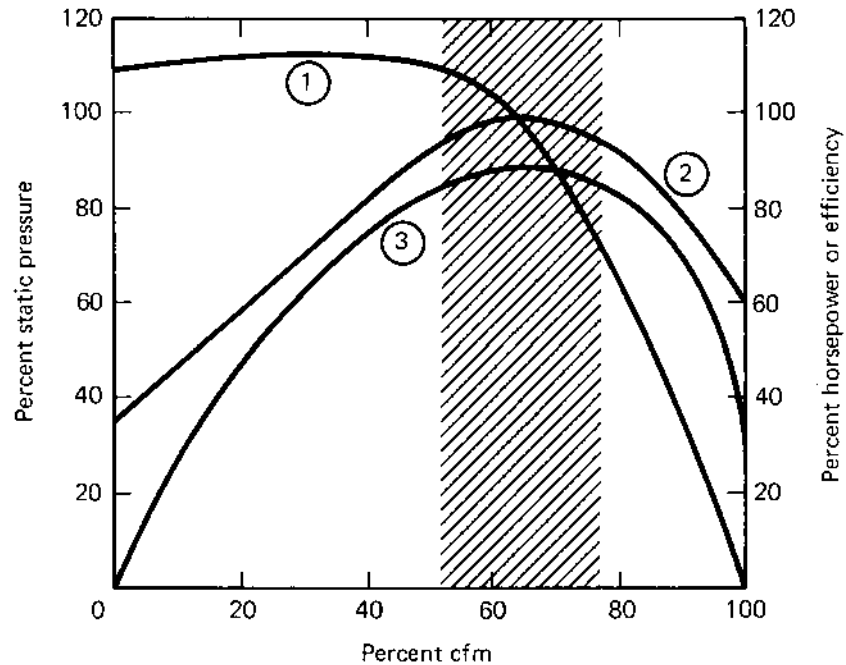


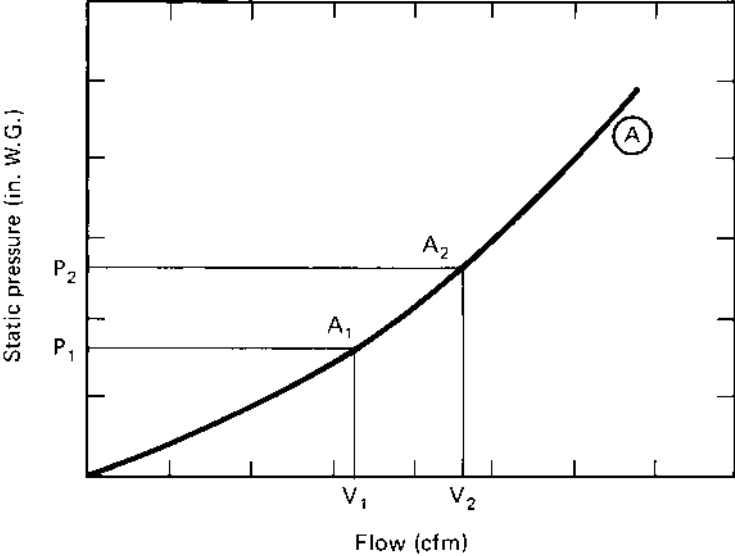
FIGURE 10.4. Typical performance characteristics of fans: (1) CFM/Static pressure curve; (2) BHP curve; (3) Mechanical efficiency curve.

continues to increase through full load power as the flow rate is increased in a forward-curved fan, whereas in the backward-inclined fan the horsepower requirement peaks at between 60 and 80% of maximum airflow capacity. Therefore, a forward-curved fan can overload its motor if allowed to operate without restriction, while the backward-curved fan's power requirement is self-limiting.

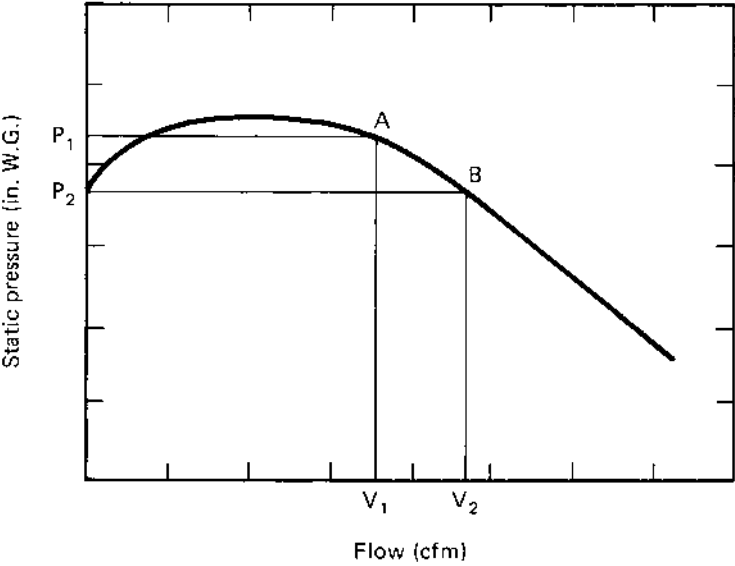
Unfortunately, most centrifugal fans used in cooling towers are the forward-curved type since (1) the fans are relatively small and (2) forward-curved fans are far less expensive to manufacture.

In Figure 10.4, the shaded area represents the normal selection range for a centrifugal fan, ideally at the highest point of the fan efficiency to minimize fan losses and horsepower requirement for the given airflow conditions.

Relationships between a fan and the system it serves are illustrated in Figures 10.5–10.7. First, consider the SP required to force a certain volumetric flow of air through a cooling tower. As the volumetric flow rate increases, the SP

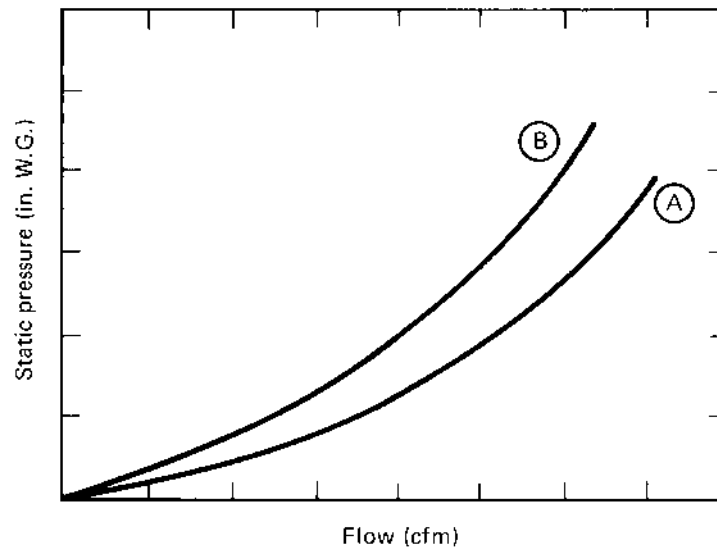


(a)

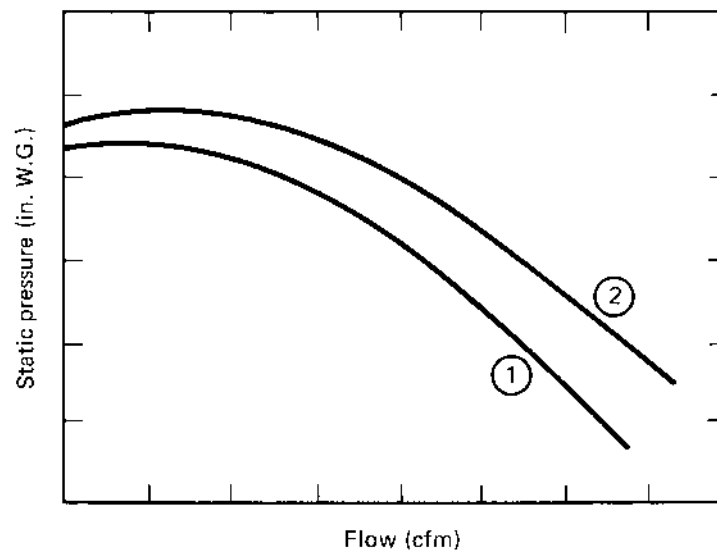


(b)

FIGURE 10.5. (a) Typical cooling tower system curve: airflow vs. static pressure. (b) Typical cooling tower fan performance curve: airflow vs. static pressure.



(a)



(b)

FIGURE 10.6. (a) Change in tower system curve with increased resistance, curve A to curve B. (b) Change in fan performance curve with increased speed, curve 1 to curve 2.

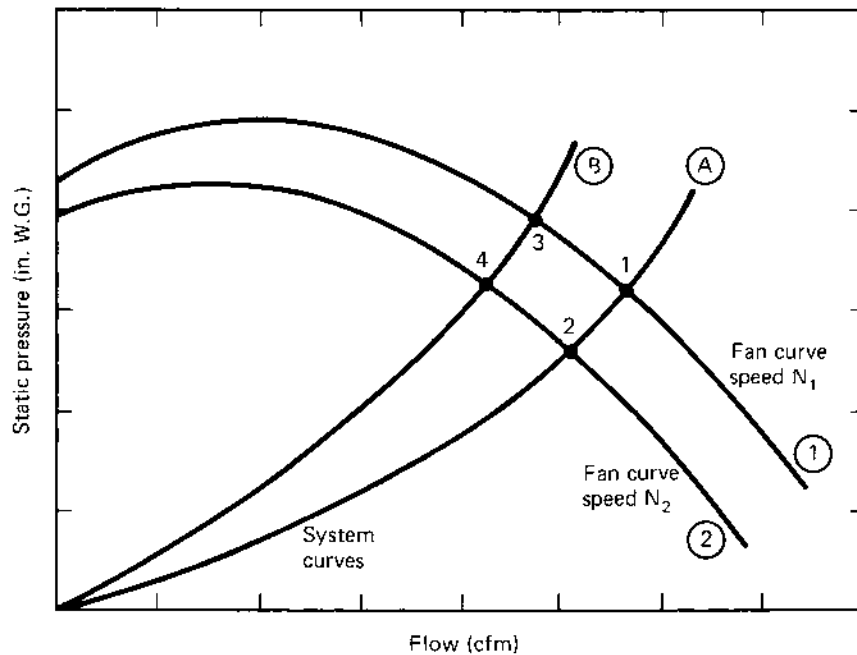


FIGURE 10.7. Fan and tower curves imposed to show determination of operating point.

required also increases, but increases approximately as the *square* of the increased flow.

Figure 10.6 illustrates changes in the cooling tower resistance and fan characteristics. Any time the resistance changes (due to dirty intake louvers, clogged fill, etc.), a new system characteristic curve is generated. Similarly, if the fan speed is changed, a new fan curve is generated. When a particular fan operating at a particular speed is installed in a particular cooling tower, the only stable operating point is the one that satisfies both the fan and the system characteristic curves, i.e., at the intersection of the two curves.

Approximate relationships for assessing the effects of changes in fan speed, airflow rate, and fan power is known as the *fan laws*:

1. Volumetric airflow rate (CFM) is directly proportional to fan speed (RPM).
2. Static pressure is proportional to the square of the fan speed.
3. Brake horsepower (BHP) is proportional to the cube of the fan speed.

The mathematical expressions for the fan laws for changing conditions from state “1” and state “2” are shown by Eqs. (10.1–10.3).

$$\text{RPM2} = \text{RPM1}(\text{CFM2}/\text{CFM1}) \quad (10.1)$$

$$\text{SP2} = \text{SP1}(\text{CFM2}/\text{CFM1})^2 \quad (10.2)$$

$$\text{BHP2} = \text{BHP1}(\text{CFM2}/\text{CFM1})^3 \quad (10.3)$$

At any airflow and pressure condition, the theoretical fan BHP can be computed utilizing Eq. (10.4).

$$\text{BHP} = \text{CFM}\{0.0003 + [\text{SP}/(6346 \text{ EFF})]\} \quad (10.4)$$

where BHP is the total theoretical brake horsepower; CFM, the total airflow through the tower; SP, the static pressure drop through the tower, wg; EFF, the fan efficiency: backward-inclined centrifugal 0.70, forward-curved centrifugal 0.60, propeller 0.70.

Cooling towers may be equipped with a single fan or with multiple fans. If multiple fans are provided, the tower design must be such that it can continue to operate when one or more fans are off. The most common approach to this requirement is to provide internal baffles to form individual fan plenums and prevent air discharged by one fan from entering the discharge plenum of an adjacent fan. Another approach is to use backdraft dampers on each fan discharge to prevent reverse airflow through the fan when it is off.

10.7.2. Motors

There are three basic types of motors used in HVAC applications. They are as follows.

1. *Open Drip Proof (ODP)*: ODP motors are constructed with openings in the motor casing that provide a cooling air path to the motor windings. ODP motors are designed for dry applications and, if installed outdoors, must be weather-protected.
2. *Totally Enclosed Fan-Cooled (TEFC)*: The TEFC motor shaft extends from the motor casing to drive a cooling fan installed within a shroud on the nondrive end of the motor.
3. *Totally Enclosed Air-Over (TEAO)*: The TEAO motor windings are enclosed in a moisture-tight enclosure. The casing is provided with large fins designed to radiate the motor heat to an air stream passing over them.

ODP motors are never used in cooling towers simply because they are not designed for outdoor, wet locations (and will quickly fail in this environment). TEFC motors are typically applied in cooling towers where the motor is located outside the tower airflow path. TEAO motors are used where the motor is located

within the tower airflow path. Both TEFC and TEAO motors have the advantage of better cooling than ODP motors and can generally be operated continuously at up to 15% overload without failure, while an ODP motor quickly overheats and fails under almost *any* overload condition.

Using an “energy efficient” motor in lieu of a “standard” motor will reduce fan energy use by 4.6–6.8%, depending on the motor size, and given the small price premium is an excellent choice. A “premium efficiency” motor can reduce energy use by an additional 1–3%, depending on the motor size, but the cost increase for these motors is rarely justified for cooling tower applications.

Because cooling tower fans must cycle off and on for capacity control (see Chap. 12), it is important that tower motors be selected for frequent start/stops. Table 10.1 provides motor ratings for intermittent duty. In Table 10.1, “A” represents the maximum number of starts per hour. “B” is the product of the maximum number of starts per hour times the motor load Wk^2 . “C” is the minimum rest period or *off time*, in seconds, between starts. Thus, the maximum allowable number of starts per hour is the *lesser* of “A” or “B” divided by the load Wk^2 .

To reduce the wear and tear of fan cycling capacity control, two-speed motors can be used on belt-drive cooling towers. These motors are available in either single winding or dual winding configuration.

TABLE 10.1. Approximate Motor Allowable Starts and Starting Intervals (NEMA Design A and B motors, 1800 rpm, 60 Hz)

Motor HP	A	B	C
1	30	6	38
1-1/2	26	9	38
2	23	11	39
3	20	17	40
5	16	27	42
7-1/2	14	39	44
10	12	51	46
15	11	75	50
20	10	99	55
25	9	122	58
30	8	144	60
40	7	189	65
50	7	232	72
60	6	275	85
75	6	338	90
100	5	441	110

Single winding motors utilize their entire winding whether on high speed or low, but the number of active poles is reduced from 8 at low speed to 4 at high speed. Since the motor speed is a function of the number of poles, low speed is always exactly half of the high speed (typically 1800/900 rpm).

Dual winding motors have two sets of windings, one that is used on high speed and the other on low speed. The advantage of this configuration is that the ratio between high and low speed can be something other than 2:1.

As an alternative to a single-speed motor, the tower can be equipped with two separate motors, one to operate at high speed and the second to operate at low speed, again at a 2:1 speed ratio. The low-speed second motor, often called a “pony” motor, will (based on the fan laws) be about 1/8th the horsepower of the high-speed motor. During tower operation, when operating at high speed, the pony motor will “free wheel.” Then, when switched to low speed, the pony motor drives the fan(s) and the larger high-speed motor will free wheel. (The idling motor does not act as a generator, simply because there is not excitation current available to it. There are, however, additional motor windage and drive losses that must be carried by the operating motor.)

When variable frequency speed drives (VFDs) are applied to cooling tower capacity control (see below and Chap. 4), since the output of a VFD is not a true sine wave, the fan motor must be rated for the potential of increased heat build-up.

10.7.3. Mechanical Drives

While small centrifugal fans may be designed to operate at motor speeds (1750–1800 rpm) and be directly connected to a motor, most cooling tower fans are designed to operate at slower speeds since the SP losses through towers are relative low (1 in. wg or less) and high-speed fan operation is simply not needed. Two types of mechanical drives are applied to HVAC cooling towers, as follows.

10.7.3.1. Belt Drives

Belt drives, as shown in Figure 10.8, are used in a wide range of HVAC cooling tower configurations. These drives perform two functions: they transfer the motor power to the fans, while reducing the motor speed to the required fan speed. The power transfer dictates the belt(s) load rating, while the sheaves (one on the motor and one of the fan) dictate the speed change in direct ratio to their diameters (a 5 in. motor sheave and a 10 in. fan sheave will reduce the speed by half).

Historically, V-belt drives, with multiple belts selected to meet the required load rating, have been applied. Efficiency of power transfer can be improved by about 3% if “cogged” V-belts are utilized. However, because of higher maintenance requirements due to alignment and stretch problems with any type



FIGURE 10.8. Typical cooling tower belt drive assembly. (Courtesy of the Baltimore Aircoil Company, Baltimore, Maryland.)

of V-belt and to improve power transfer even more, many cooling towers today utilize the single “power” belt. This single belt is much wider than the V-belt for the same load and may have teeth or ridges that interlock with its sheaves to prevent slippage (and “squeal”) on start-up.

10.7.3.2. Gear Drives

Gear drives (or gear “boxes”), illustrated in Figure 10.9, are used by some manufacturers on larger towers. Here, a shaft connects the motor to a gearbox that performs three functions: it transfers drive power from the motor to the fan while changing the rotational direction by 90° (from horizontal to vertical) and reducing the motor speed to the required fan speed.

Gear drives are typically applied only to larger towers with 50 hp or larger fan motors. These drives typically use spiral bevel and helical gear sets and, depending on the speed reduction ration and the motor horsepower, may have a single stage or multi-stage gear set.

The service life of a gear drive is directed related to the “surface durability” or “wear hardness” of the gears and the number of hours the drive is operated. The American Gear Manufacturers Association (AGMA) has published Standard 420 to establish requirements for geared speed reducers. Cooling tower gear

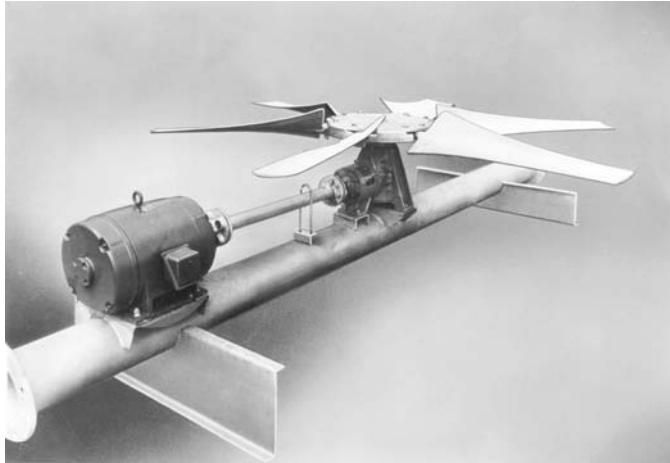


FIGURE 10.9. Typical cooling tower gear drive assembly. (Courtesy of The Marley Cooling Tower Company, Overland Park, Kansas.)

drives should be selected in accordance with AGMA Standard 420. CTI has published Standard 111 that recommends “service factors” specifically for cooling towers that should be applied to gear drives.

High quality bearings are critical to gear drive life and bearings should be selected on the basis of a 100,000-hr L-10 life. (L-10 life is defined as the life expectancy, in hours, during which 90% or more of the bearings will still be in service.) The incremental cost for this bearing life is small and, for HVAC cooling towers, generally ensures that bearings will need replacement only every 15–25 years.

The gear drive lubrication system must be designed to provide reliable lubrication in both forward and reverse operation of the drive.

11

Tower Configuration and Application

11.1. TYPES OF COOLING TOWERS

Almost all HVAC cooling towers are film or splash fill, mechanical draft type. Basic HVAC tower configurations are dictated by (1) the direction of the air vs. water flow through the tower fill and (2) the location of the tower fan(s), as shown in Figure 9.9:

Air/Water Flow Arrangement: In *counterflow* towers, water and air flow in opposite directions: the water flows vertically downward and the air flows vertically upward. In *crossflow* towers, the two flow streams are oriented 90 degrees to each other: the water flows vertically downward while the air flows horizontally.

Fan Location: The tower is called *forced draft* when its fan(s) are arranged to blow air through the tower. In this configuration, the fan(s) are located at the air intake(s) of the tower and the fill is under positive pressure. In *induced draft* towers, the fan(s) is located at the air exit(s) of the tower and the fill is under negative pressure.

Figures 11.1–11.4 illustrate four common configurations typical for HVAC cooling towers: forced and induced draft counterflow and forced and induced draft crossflow.

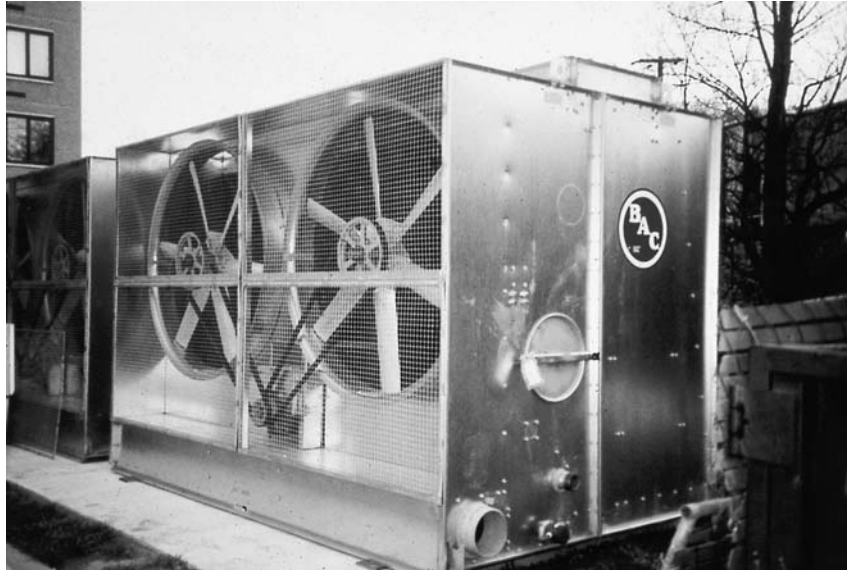


FIGURE 11.1. Typical forced draft crossflow cooling tower. (Courtesy of the Baltimore Aircoil Company, Baltimore, Maryland.)



FIGURE 11.2. Typical induced draft crossflow cooling tower. (Courtesy of The Marley Cooling Tower Company, Overland Park, Kansas.)



FIGURE 11.3. Typical forced draft counterflow cooling tower. (Courtesy of Tower Tech, Inc., Oklahoma City, Oklahoma.)



FIGURE 11.4. Typical induced draft counterflow cooling tower. (Courtesy of Evapco, Inc., Westminster, Maryland.)

11.1.1. Counterflow vs. Crossflow

There are waterside and airside advantages and disadvantages to both counterflow and crossflow cooling towers, as summarized in Table 11.1. However, the largest differences between these types of cooling towers are as follows:

TABLE 11.1. Counterflow Vs. Crossflow Cooling Towers

Configuration	Flow	Advantages	Disadvantages
Crossflow	Waterside	Lower pump head, pump power requirement, and pumping energy Easier access to wet deck or maintenance Better acceptance of variation in water flow with economizer	Potential orifice clogging and poor water distribution over fill Wet deck basin may house biological fouling Larger tower footprint
	Airside	Lower static pressure loss with lower fan power requirement and energy consumption Reduced drift Reduced recirculation Requires fewer cells for larger capacities	Large inlet louver surface area makes icing control more difficult
Counterflow	Waterside	Spray distribution improves water droplet size Tower is taller and increased height accommodates closer approach	Increased pump head due to spray nozzles, pump power requirement, and pumping energy Spray nozzles are difficult to access and clean
	Airside	Counter flow improves heat transfer	Higher static pressure losses, fan power requirement, and energy consumption High inlet velocities may pull debris into basin Tendency for uneven airflow across fill, reducing tower efficiency

Size/Arrangement: For any given capacity, counterflow towers will typically have a smaller footprint than crossflow towers, thus requiring less space for their installation. However, this size advantage may disappear when multiple tower cells are required to meet the imposed cooling load:

1. Small counterflow towers may require air intake on only one side and it is relatively simple to arrange multiple towers in a line, spaced just far enough apart for maintenance (about 4 ft).
2. For larger counterflow towers, two cells can be joined, which effectively reduces the air entry condition for each cell from 4 sides to 3 sides. If more than two cells are required, the next 1 or 2 must be spaced at least one tower width away to ensure proper air entry.
3. Multiple crossflow tower cells can be joined side-by-side to form a tower as long as desired. However, it is better to limit this side-by-side arrangement to only 3 or 4 cells and to provide an airflow and maintenance separation of at least one tower width between each set of cells. When more than four cells are joined, there are often adverse airflow patterns at the middle cell(s).

Fan Horsepower/Energy: Counterflow cooling towers generally have higher airflow static pressure losses than crossflow cooling towers, requiring more fan horsepower and resulting in greater fan energy consumption. These higher losses are due primarily to counterflow towers being taller, with a greater fill height, and to the water spray wet deck.

Pump Horsepower/Energy: The nozzles used in the counterflow cooling tower spray wet deck require, typically, 5 psig residual water pressure to provide proper atomization. This, coupled with the fact that counterflow towers tend to be taller than crossflow towers, results in increased pump head, pump motor horsepower, and pump operating energy.

In general, crossflow towers are the better selection when it is desirable to minimize tower fan energy consumption, minimize pump size and pumping energy, and provide ease of maintenance. The crossflow tower is better with waterside economizer applications.

The counterflow tower is the better selection with the available space (footprint) is limited and/or where icing during winter operation is a concern. The counterflow tower may also be the better selection when very close approach is needed (less than 5°F).

11.1.2. Mechanical Draft

As discussed in Chap. 9, almost all HVAC cooling towers utilize mechanical draft since the tall draft chimney and large size required by natural draft towers would be almost impossible to incorporate in most building designs.

Crossflow towers may utilize forced draft or induced draft. *Single flow* forced draft crossflow towers (1-cell) utilizing propeller fans are available in smaller capacities (from 30 to about 250 tons). The fan(s) is mounted vertically in the tower air inlet and forces the air through the fill and out the exit on the opposite side of the tower.

As cooling load increases, more heat transfer surface is needed and the *double flow* crossflow tower, with up to about 1100 ton capacity in 1 factory-assembled cell, is typically utilized since it is considerably less costly to use one large cell than to use two smaller cells. In this configuration, it is more efficient to use one large fan to induce airflow through the tower rather than multiple fans to force the airflow. The induced draft fan is mounted at the top of the tower and induces airflow from each end, through the fill, and into a common exit air plenum.

Counterflow towers may also utilize forced draft or induced draft up to about 1300 tons capacity in one factory-assembled cell. Both propeller and centrifugal fans are used for forced draft, but only propeller fans are used for induced draft.

In forced draft counterflow configurations with propeller fans, the fan(s) is located at the bottom of the tower, which requires a very special basin design since the air must flow through the basin. In these towers, a water collection system, consisting of sloped channels above the fans, move the water from the bottom of the fill to an adjacent enclosed basin or tank.

Induced draft counterflow towers have a far simpler configuration. The fan is located at the top of the tower and the air intakes are located between the top of the basin and the bottom of the fill, typically on all four sides of the tower. As for crossflow towers, the largest single tower cell that is available is about 1100 tons.

Generally, there is no advantage of forced draft over induced draft or vice versa. However, in applications where cooling towers are used in the winter and there is the potential for *icing*, forced draft towers, particularly those with centrifugal fans, should be avoided. The forced draft fans are located in the entering cold air stream rather than in the warm leaving air stream, making them highly susceptible to icing and potential mechanical failure. Thus, for cold weather operation, the induced draft tower is the better choice since both the potential for icing is reduced and, as discussed in Sec. 14.1, measures to control any icing that does occur are much easier to implement.

11.2. CAPACITY AND PERFORMANCE PARAMETERS

In Chap. 9, two factors were defined as establishing the HVAC cooling tower performance requirements:

1. The cooling load imposed on the tower, which is defined by the condenser water flow rate and the selected range.
2. The approach, which is dictated by the design outdoor wet bulb temperature and the required condenser water supply temperature.

11.2.1. Temperature Range and Approach

As defined in Sec. 9.3, *range* is the temperature difference between the condenser water entering (condenser water return) and leaving the tower (condenser water supply), while *approach* is the difference between the condenser water supply and the entering air wet bulb temperature. These temperature differences are illustrated in Figure 11.5.

The vast majority of HVAC condenser water systems are designed for a 10°F range. This range was established many years ago based on desired flow velocities in condenser tubes and maintaining the approach at a reasonably high level. The “standard” selection criteria for water chillers is 85°F condenser water supply temperature and a 10°F range, resulting in a 95°F condenser water return temperature.

Since the design ambient wet bulb temperature is fixed, the approach is changed by changing the range (and resulting flow rate) and/or changing the required condenser water supply temperature. From Figures 9.5 through 9.7, it is obvious that there is a trade-off between approach and range—increasing range reduces the required tower characteristic, but if increased range reduces the

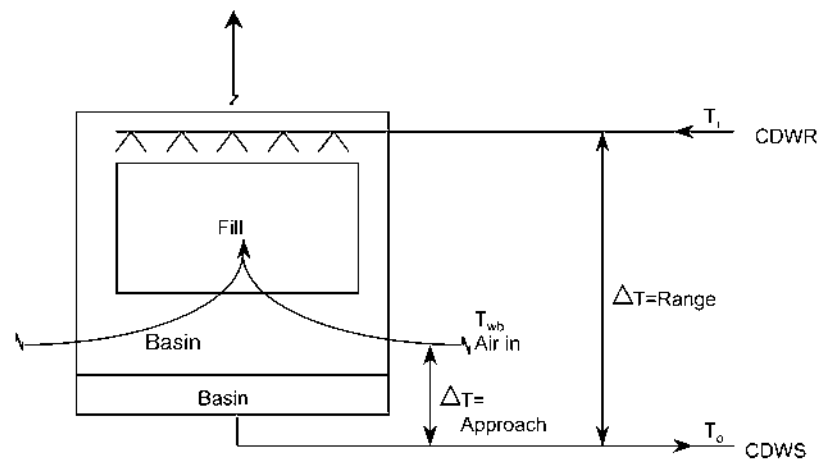


FIGURE 11.5. Definition of “range” and “approach” for condenser water systems.

condenser water supply temperature, the resulting reduced approach quickly increases the required tower characteristic.

If the range, and the resulting condenser water flow rate, is a design option, it is best to evaluate a number of cooling towers, each at a different range from 8 to 14°F, to determine the optimum selection. However, if the resulting approach for any range is less than 5°F, the size of the tower will increase exponentially for the same capacity and, at 3°F, no further reduction to approach is possible with current cooling tower technology.

11.2.2. Ambient Wet Bulb Temperature

Appendix A lists the recommended design outdoor ambient wet bulb temperature for selected locations in the United States. These values range from 75 to 81°F and, with the standard 85°F condenser water supply temperature, approach will vary from 4 to 10°F (with 6–8°F most common).

All cooling towers should be selected on the basis of the design ambient wet bulb temperature. But, the actual *entering* wet bulb temperature may be higher due to recirculation. Normally, there is always some recirculation, but it is usually small enough to ignore, e.g., the ambient and entering wet bulb temperatures are essentially the same. However, poor tower design or poor placement can create excess recirculation and the entering wet bulb temperature may be several degrees above the ambient level. Section 11.4 addresses measures required to minimize this condition.

11.2.3. Condenser Water Heat Rejection

The total heat rejection to the condenser water system is determined from Eq. (9.2) and Table 9.1. Typically, the range for an HVAC condenser water system is selected to be 10°F. At this range, the required condenser water flow rate, in terms of “gpm per ton of cooling load” can be computed as shown in Table 11.2.

TABLE 11.2. Required Condenser Water Flow Rate for 10°F Range

Compressor input power (kW/ton)	Total heat rejection (Btu/ton)	F_{cdw} (gpm/ton of cooling load)	F_{cdw} Reduction (%)
0.8	15,000	3.00	0
0.7	14,640	2.93	2.0
0.6	14,280	2.86	4.7
0.5	13,920	2.78	7.3
0.4	13,680	2.74	8.7

For many years, “standard” condenser water conditions were based on chillers with a power input of 0.8 kW/ton. Older literature will sometimes refer to a *cooling tower ton* as 15,000 Btu/hr and current manufacturer ratings are still based on 3.0 gpm/ton as the “standard” flow rate. *None of these old data are valid today.* Chillers can be purchased with power input requirements as low as 0.4 kW/ton, so the actual condenser water flow rate for any application must be computed based on the actual compressor power input, as shown in Table 11.2. This, in effect, minimizes pumping energy and the cooling tower size.

11.3. CHILLER/COOLING TOWER CONFIGURATION

When there is only one chiller, the only approach is to select one cooling tower to serve that chiller’s condenser. However, when there are multiple chillers, there are three options for designing the condenser water system as shown in Figure 11.6:

1. Each chiller can have an individual, dedicated cooling tower.
2. Multiple cooling towers or a large multicell tower can be connected to a common condenser water system to serve all of the chillers. Each chiller, however, must have a 2-position isolation control valve. The advantage to this configuration is versatility—any tower and any pump can serve any chiller.
3. Multiple cooling towers or large multicell towers can be connected to a common condenser water system with an individual pump serving each chiller. This configuration eliminates the need for chiller isolation valves and *is the recommended configuration when the chillers have different capacities.* (The downside of this configuration is, of course, loss of the versatility provided by the common parallel pumping arrangement.)

With individual, dedicated towers, individual condenser water pumps and supply and return condenser water piping between each chiller and its tower is required. The cost of this piping is typically higher than the cost for a single (but larger) condenser water supply loop serving all chillers from all towers.

The multicell approach has a number of operating advantages:

1. More than one cell can be used to serve a single chiller, providing a lower condenser water supply temperatures and reducing chiller energy consumption.

2. The failure of tower cell does not necessarily mean that any specific chiller cannot be utilized, since all chillers are served by all of the tower cells.
3. An additional, redundant tower cell can be included to provide “back-up” in the event of a tower cell failure or to maintain the required condenser water supply temperature in periods of higher than expected wet bulb temperature.

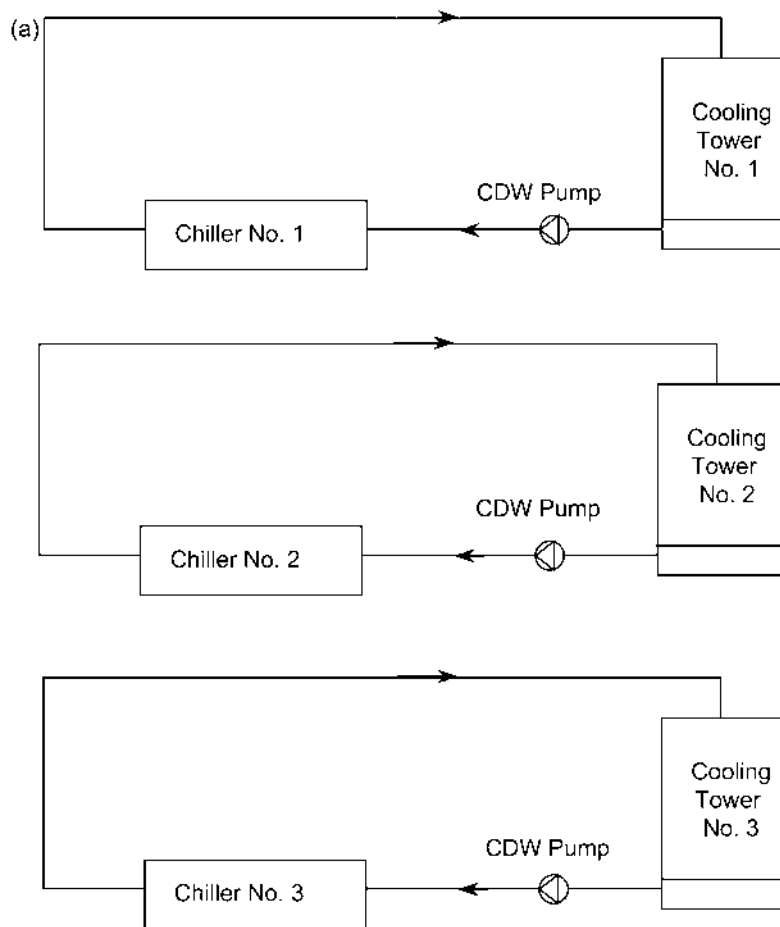


FIGURE 11.6. (a) Multiple chiller/tower configuration, option 1; (b) multiple chiller/tower configuration, option 2; (c) multiple chiller/tower configuration, option 3.

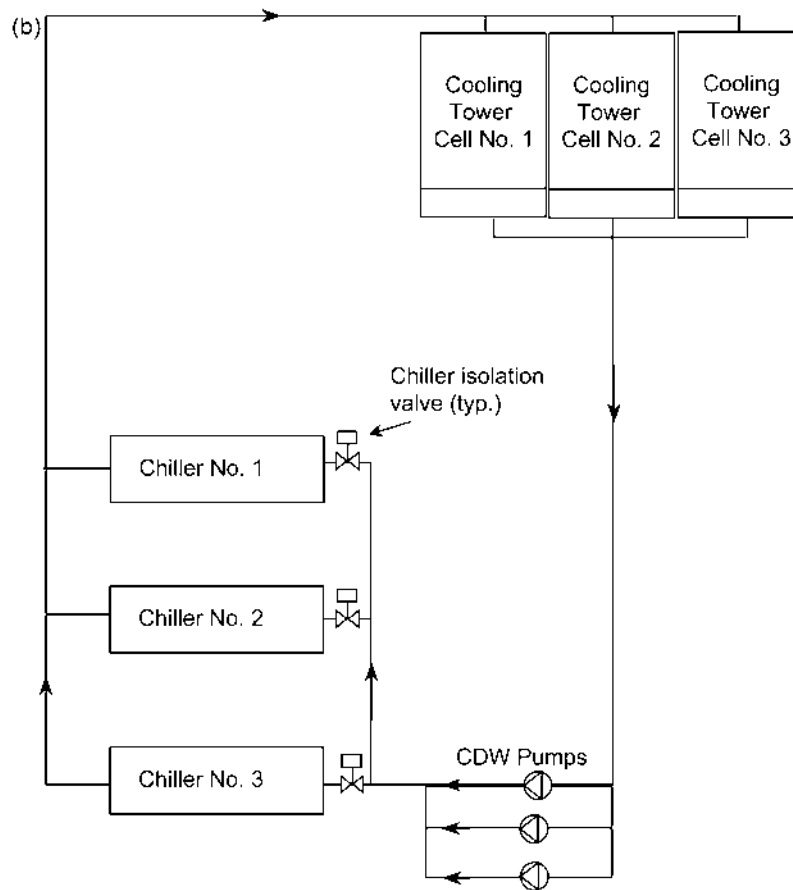


FIGURE 11.6. Continued.

(continued)

4. Only one tower make-up water control system is required, rather than one for each tower under the first option, reducing maintenance requirements.
5. One cell (or more) can be shutdown for maintenance without interfering with a specific chiller's operation.

A disadvantage to the multicell approach is that automatically controlled two-position isolation valves are required on both the inlet and outlet of each tower cell. These isolation valves eliminate water flow through cells that are not active.

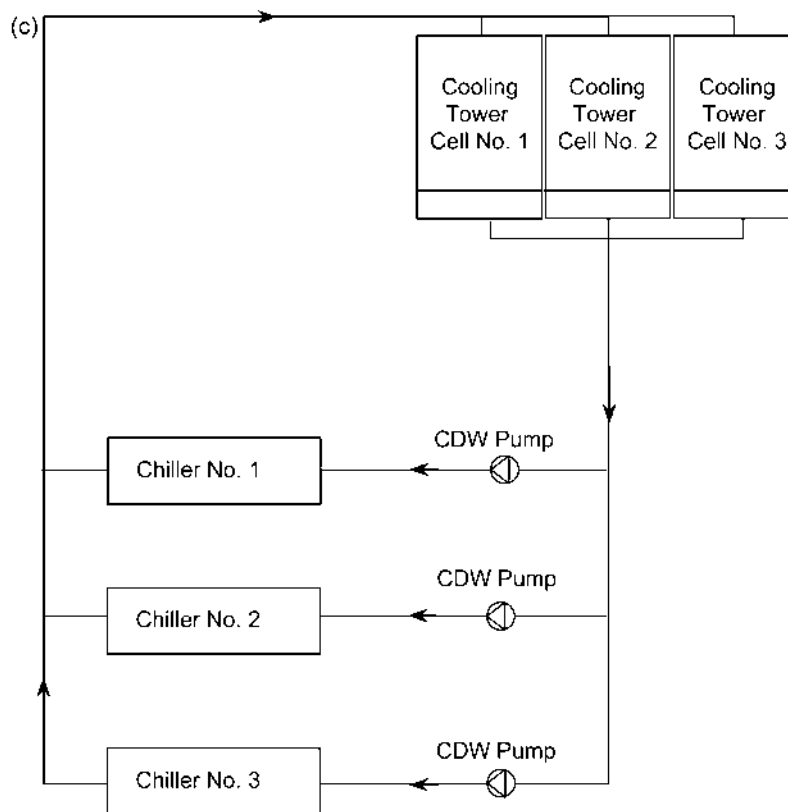


FIGURE 11.6. Continued.

11.4. TOWER PLACEMENT AND INSTALLATION

The best place to locate any HVAC cooling tower is on the roof of the building it serves. This placement satisfies two conditions that are critical to proper tower performance:

1. The elevation of the tower's operating water level must be above the condenser water pump (and any piping between the pump suction and the tower basin).
2. Towers must have sufficient clearance from walls and other obstructions around them to prevent *recirculation* of discharge air back into the inlet. If there are multiple towers, they must be located to avoid the discharge of one tower entering any adjacent tower.

Generally, a building roof is clear of obstructions that can result in recirculation, *provided that obstruction by aesthetic screening is not added.*

Section 11.5 addresses condenser water pump placement and piping options. This section addresses tower placement and installation to avoid recirculation of tower airflow if the tower must be located on the ground.

The airflow requirement of an HVAC cooling tower is approximately 270–300 cfm/ton, which is equivalent to 90–100 cfm/gpm. Thus, (1) sufficient free area around the tower for the unobstructed flow of large air quantities must be provided and (2) the tower must be located sufficiently clear of obstructions to prevent discharge air from re-entering the tower (or entering an adjacent tower).

Ground level placement considerations for a tower depend, initially, on the type of tower—crossflow or counterflow. Crossflow towers have an air intake on either one (*single flow towers*) or two sides (*double flow towers*), while counterflow towers have air intakes on all four sides. However, for both types of towers, the following recommendations apply:

Adjacency: Building walls, screen walls, trees, etc. form obstructions for cooling towers if the tower is located too close to them. While most tower manufacturers provide information about layout for their cooling towers, most of the recommended clearances are minimal and are not sufficient to always ensure proper tower performance. Therefore, the recommended clearance from adjacent obstructions is shown in Figure 11.7.

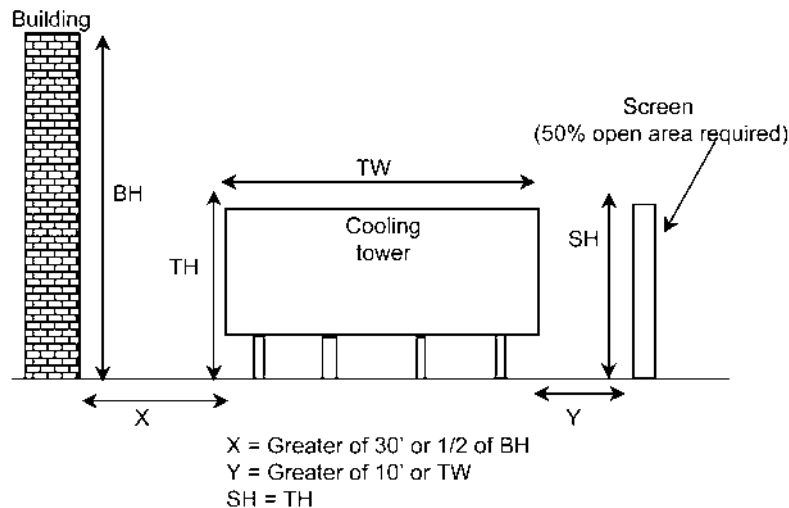


FIGURE 11.7. Recommended cooling tower siting parameters.

The cooling tower should be located at least 30 ft away from adjacent building walls. As buildings get taller, the obstruction formed increases and, thus, the tower setback should be increased to at least half the building height to prevent recirculation.

Cooling towers are rarely pretty, thus, architects will often specify that screening (wood, masonry, or metal) be installed around the tower. To prevent tower performance problems due to screening, the following design criteria for screening must be followed:

1. The screening must provide at least 50% open area on the air intake side(s) of the cooling tower and the open area must be sufficient to allow for 600 fpm or low airflow velocity through the screen.
2. The top of the screening must be no higher than the tower air discharge (see “Elevation”).
3. Provide clearance between the screening and tower air intake side(s) of the greater of 10 ft or the width of the tower. If there are multiple towers or multiple tower cells within a screened enclosure, these clearances must be increased by at least 50% (to 15 ft). Maintenance clearance between the screening and the other (nonactive) sides of the tower must be at least 4 ft to provide adequate passage and maintenance space.

Elevation: Ideally, any HVAC cooling tower should be installed so that the operating water level is higher than all of the elements of the condenser water system. In every installation, the operating water level must be higher than the condenser water pump and all of the condenser water supply piping between the tower basin and the pump. Thus, the pump is maintained at a “flooded” condition and cannot lose prime.

Where the tower is installed close to a building (i.e., closer than the half the building height or 30 ft, whichever is greater), the fan discharge elevation must be at or above the adjacent building roofline or the top of any architectural screening that is provided. As shown in Figure 11.8, this can be accomplished by (1) providing a discharge cowl or plenum on the tower and/or (2) providing a structural support system to elevate the tower to the proper height.

An elevating structural support system or “grillage” can be easily fabricated from structural steel elements, pipe columns, etc. The discharge cowl, however, must be engineered to minimize static pressure loss and avoid the need for a larger fan motor and increased fan energy consumption. The cowl must have a discharge taper (called an *evase discharge*) in order to reduce the air discharge velocity efficiently and regain the available velocity pressure to offset friction-based static pressure losses.

Table 11.3 tabulates the static pressure regain factor for a cowl of length L (ft), a fan discharge diameter $D1$ (ft), and a final discharge diameter $D2$ (ft). There

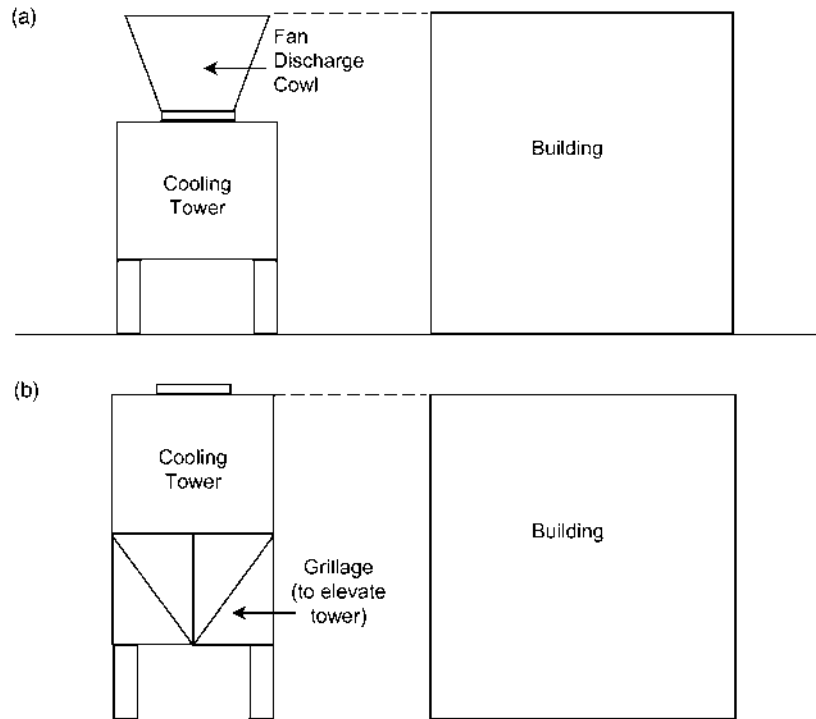


FIGURE 11.8. (a) Tower elevation, option 1; (b) tower elevation, option 2.

TABLE 11.3. Discharge Cowl Static Pressure Regain Factors (CRF)

$L/D1$	Static pressure regain factor of $D2/D1$ ratio		
	1.2:1	1.4:1	1.6:1
1.0:1	0.26	0.27	0.22
1.5:1	0.27	0.33	0.31
2.0:1	0.29	0.36	0.36
3.0:1	0.31	0.40	0.42
4.0:1	0.32	0.42	0.44
5.0:1	0.33	0.43	0.46
7.5:1	0.34	0.44	0.49

is little improvement to the static pressure regain factor for an $L/D1$ greater than 7.5:1 or $D2/D1$ greater than 1.6:1.

The amount of regained static pressure is computed from Eq. (11.2):

$$SP = (V/4005)^2 \times CRF \quad (11.2)$$

where SP is the regained static pressure, "WG"; V, fan discharge velocity, fpm; CRF, cowl regain factor from Table 11.3.

The amount of static pressure regain can be subtracted from the static pressure loss through the cowl, which can be determined from any duct sizing nomograph using the average cowl diameter $[(D1 + D2)/2]$, the average airflow velocity through the cowl, and the cowl length. Designed correctly, the discharge cowl should impose little or no additional static pressure for the tower fan to overcome.

Prevailing Wind: Since counterflow towers typically have air intakes on all four sides, tower orientation relative to the prevailing summer wind is not important. However, always attempt to orient a crossflow cooling tower as shown in Figure 11.9. Wind can influence the performance of a double inlet tower by creating an unbalanced airflow through the two sides. If a crossflow tower must

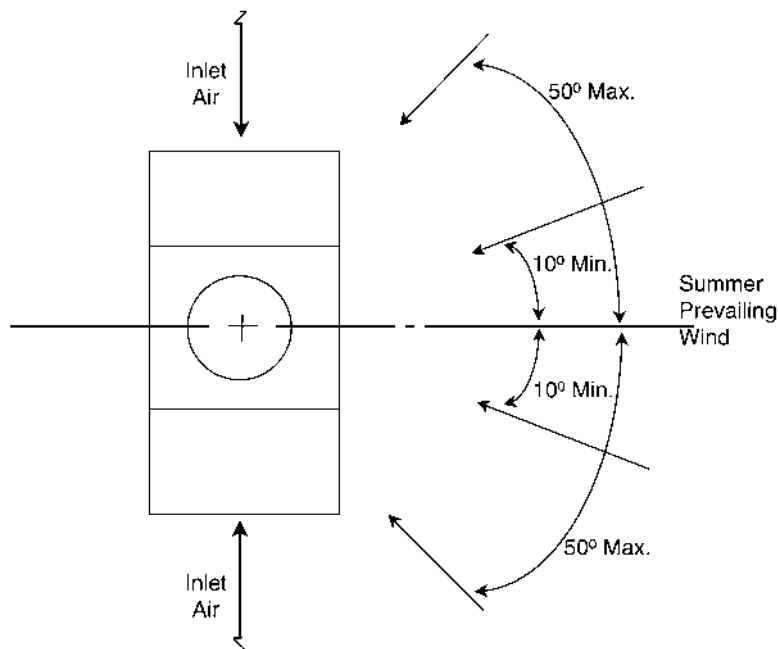


FIGURE 11.9. Crossflow tower placement relative to the prevailing wind.

be installed with one inlet in the direction of the prevailing wind, the tower manufacturer must be apprised of this condition so that the proper sizing adjustments can be made.

Multiple Towers or Tower Cells: Figure 11.10 illustrates the recommended layout for multiple towers or tower cells for both crossflow and counterflow cooling towers. As discussed earlier, no more than 4 crossflow cooling tower cells should be close-coupled. For counterflow towers, usually only 2 cells can be close-coupled and even then the tower manufacturer must guarantee that the individual cell performance will not be impaired since each cell is losing one intake side.

Again, wind direction is relatively unimportant to counterflow towers. However, for crossflow towers, recirculation from one tower bank to an adjacent one can be significantly increased by the prevailing wind. Figure 11.11 shows

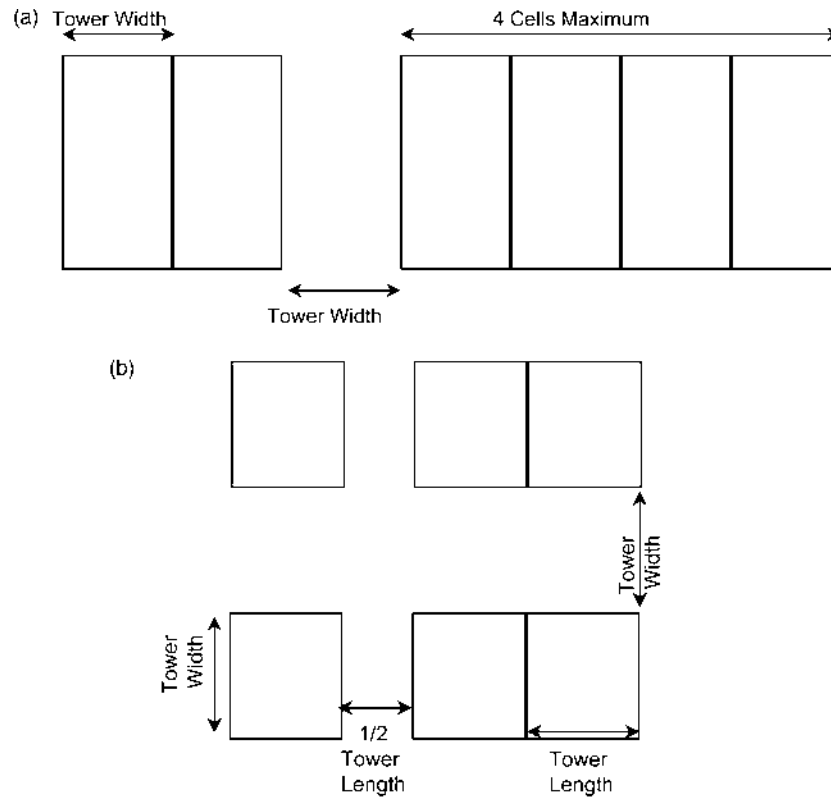


FIGURE 11.10. (a) Recommended multicell crossflow cooling tower arrangement (4 or more cells); (b) recommended multicell counterflow cooling tower arrangement (2 or more cells).

recommended tower layouts relative to the prevailing winds for crossflow tower bank installations.

Dunnage and Grillage: *Dunnage* is the steel and/or concrete structural foundation upon which the tower support *grillage* rests. The tower grillage

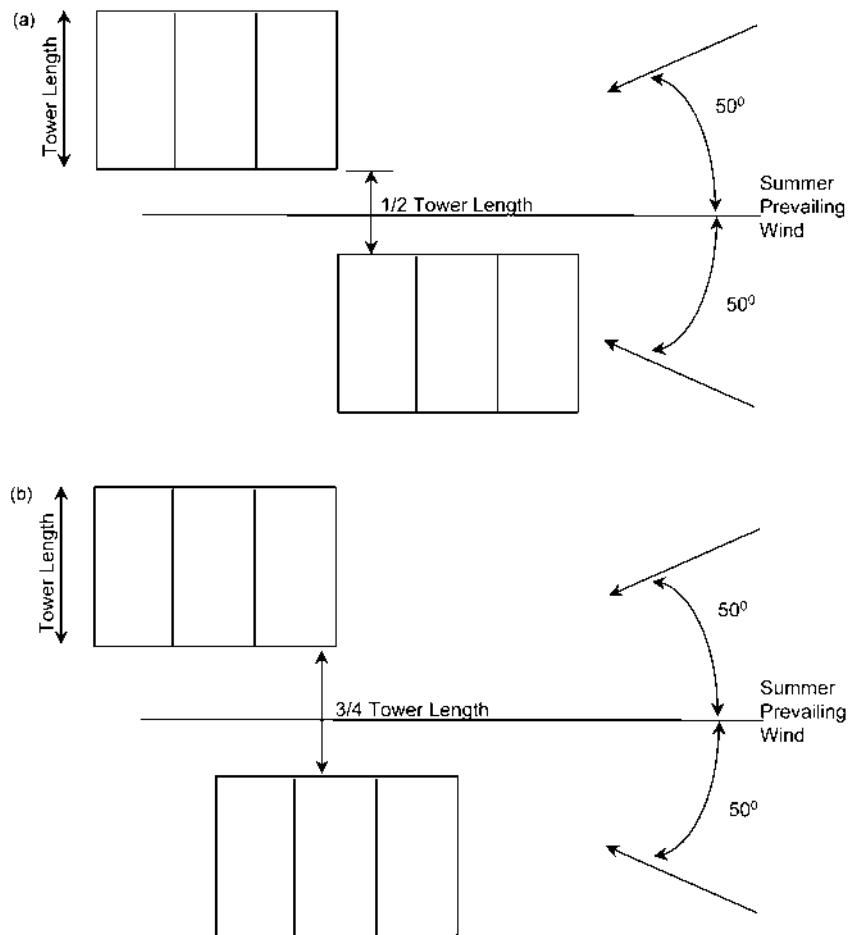


FIGURE 11.11. (a) Recommended multicell crossflow cooling tower arrangement relative to the prevailing wind, option 1; (b) recommended multicell crossflow cooling tower arrangement relative to the prevailing wind, option 2; (c) recommended multicell crossflow cooling tower arrangement relative to the prevailing wind, option 3; (d) recommended multicell crossflow cooling tower arrangement relative to the prevailing wind, option 4.

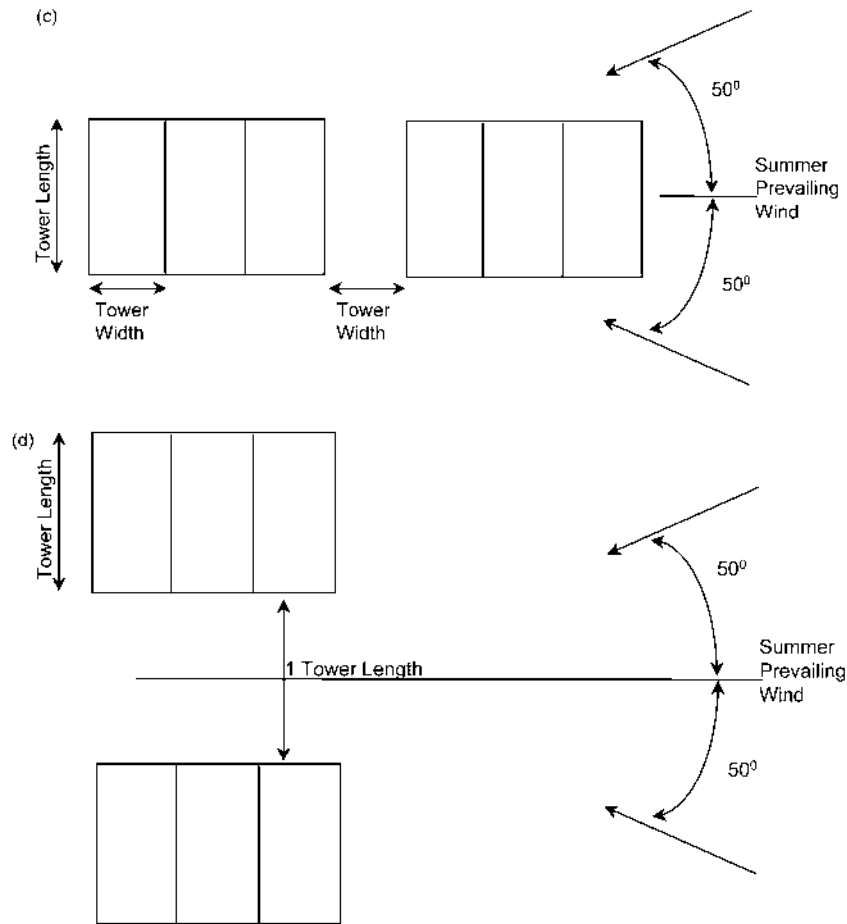


FIGURE 11.11. Continued.

routinely consists of structural steel members arranged to support the tower at the required bearing points.

On the roof of a building, dunnage should consist of structural column extensions so that the tower weight is transferred directly to the building foundation elements. *Never attempt to install a tower directly on the roof structural system!* Roofs are never designed for the types of loads introduced by a cooling tower and its water load. Even if the roof structure is designed to support the operating tower weight, vibration produced by the tower will assuredly be transferred to the roof structure and create serious noise problems. The columns

should be extended 3–4 ft above the roof to provide clearance for roofing maintenance.

On the ground, dunnage many consist of concrete piers or columns—each with properly designed footings and reinforcement.

Table 11.4 provides approximate operating and shipping weights for typical cooling towers.

Care must be taken to ensure that dunnage/grillage height is sufficient to satisfy the tower operating water level elevation requirement.

11.5. COOLING TOWER PIPING

Three separate piping systems are required for each cooling tower, as shown in Figure 11.12 and described in the following subsections.

11.5.1. Condenser Water Piping

Condenser water return (CDWR) piping delivers warm water from the condenser to the tower, while condenser water supply (CDWS) piping delivers cool water from the tower to the condenser. A manual isolation valve should be provided at

TABLE 11.4. Approximate Cooling Tower Weight

Nominal capacity (ton)	Approximate operating weight (lbs)			
	Forced draft crossflow ^a	Induced draft crossflow ^a	Forced draft counterflow ^b	Induced draft counterflow ^a
100	4,300	9,000	12,000	5,000
200	8,200	14,000	12,000	6,500
250	9,500	14,000	13,000	7,500
300	14,000	14,000	13,000	8,500
350	16,000	18,000	16,000	10,000
400	16,000	18,000	16,000	11,000
450	19,000	22,000	19,500	14,000
500	19,000	28,000	19,500	14,500
600	—	29,000	19,500	17,000
700	—	35,000	22,600	19,000
800	—	37,000	22,600	22,000
900	—	44,000	23,600	28,000
1000	—	44,000	23,600	28,000
1500	—	75,000	47,200	43,500
2000	—	90,000	47,200	63,000

^a Shipping weight is approximately 30–35% of operating weight.

^b Shipping weight is approximately 55–65% of operating weight.

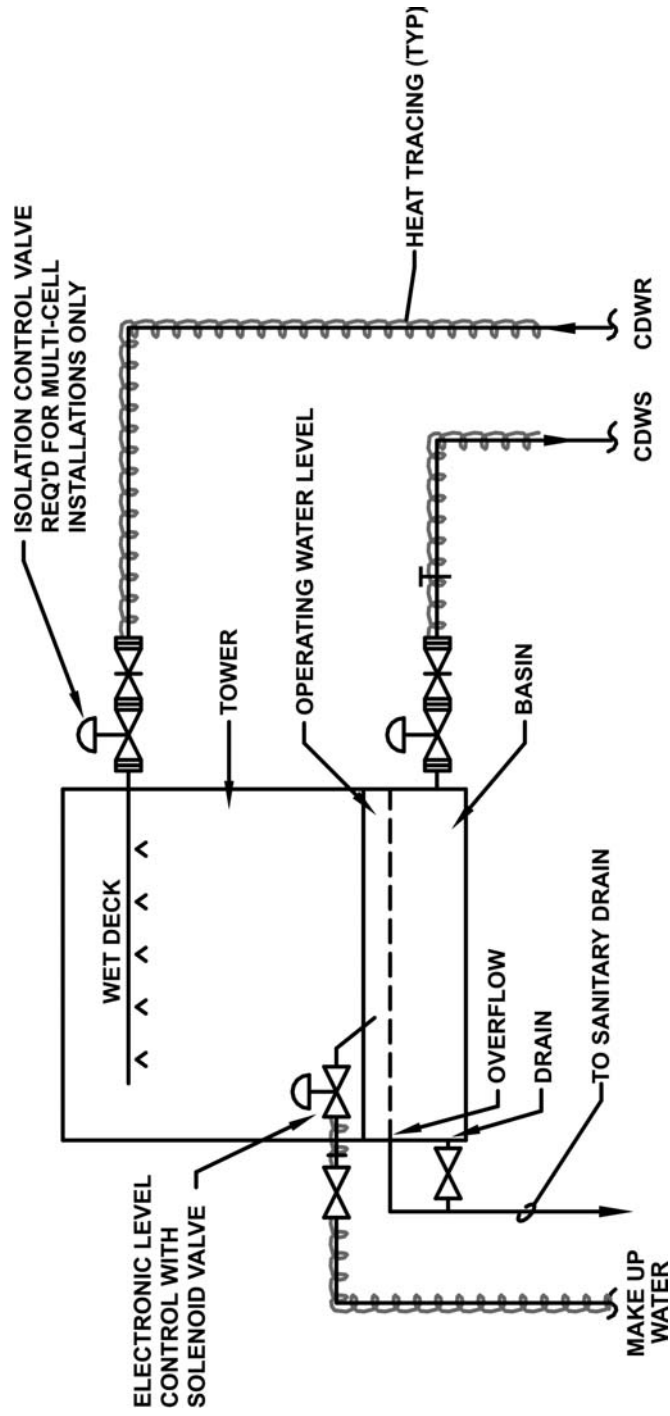


FIGURE 11.12. Typical cooling tower piping installation schematic.

both the supply and return connections to the tower to facilitate tower maintenance. Electric heat tape (or other type of heat tracing) may be required to protect the condenser water from freezing during off-periods in the winter (see Chap. 14).

Black steel or PVC piping materials are normally used for condenser water service. In the past, galvanized steel piping was often used because it was thought that this piping was more resistant to corrosion and the higher cost for galvanized over black steel was justified. However, since galvanized pipe cannot be welded without destroying the galvanizing at each joint, screwed connections are required. In the larger pipe sizes required for condenser water systems, increased labor costs have made screwed joints prohibitively expensive and galvanized piping is rarely used today.

The CDWR piping between the tower and the condensers should be insulated with at least 1 in. thick glass fiber insulation to reduce heat gain by the condenser water to the chiller. At normal condenser water temperatures, a vapor barrier is not required, but, if a waterside economizer cycle is incorporated, a vapor barrier does become necessary.

Vortexing is a term used to describe the whirlpool effect that sometimes occurs at the CDWS connection to the tower basin, particularly with a vertical discharge connection. Vortexing causes air to be entrained in the water and can, in extreme cases, cause pump cavitation and result in mechanical damage. Most tower manufacturers offer an option for a side outlet discharge sump that can be added to the basin. This type of sump will minimize air entrainment and should always be used.

11.5.2. Make-Up Water Piping

Make-up water is potable water from municipal water systems and/or wells that adds water to the condenser water flow to offset the water losses due to evaporation, drift, and blowdown. Again, a manual isolation valve is required at the tower connection point for maintenance purposes. Copper tubing or PVC piping is normally used for make-up water piping and all piping should be insulated with at least 1-in. thick glass fiber insulation with an integral vapor barrier.

The make-up piping terminates at a make-up water control valve, which may be either mechanically or electronically actuated in response to the water level in the basin. Electric heat tape (or other type of heat tracing) is normally required to protect the make-up water from freezing during off-periods in the winter (see Chap. 14).

Water losses from an HVAC cooling tower result from evaporation, drift, and blowdown. Each of these must be determined to properly size the make-up water system.

Evaporation Loss: The heat of vaporization of water is 1045 Btu/lb at 85°F. Therefore, to determine the evaporation rate required for a given heat rejection (condenser water cooling) rate, it is necessary to know the flow rate, the range, and the heat rejection required. In the general case (a flow rate of 1 gpm with a range of 1°F), the evaporation requirement can be computed as follows:

Flow: 1 gal/min (equivalent to 500 lb/hr)

Range: 1°F

Heat load: By rearranging Eq. (9.1),

$$\begin{aligned} Q &= 1 \text{ gal/min} \times 8.34 \text{ lb/gal} \times 60 \text{ min/hr} \times 1 \text{ Btu/lb F} \times 1 \text{ F} \\ &= 500 \text{ Btu/hr} \end{aligned}$$

Heat of vaporization: $Q_v = 1045 \text{ Btu/lb}$

Evaporation rate: $E = 500 \text{ Btu/hr} / 1045 \text{ Btu/lb} = 0.478 \text{ lb/hr}$

Thus, dividing the evaporation rate of 0.478 lb/hr by the flow rate of 500 lb/hr yields an evaporation rate of essentially 0.1% of the condenser water flow rate per °F of the range, or approximately 1% of the condenser water flow rate for the 10°F range typically used in HVAC applications.

Drift Loss: Drift loss data can be provided by the manufacturer for the specific cooling tower selection being considered. However, drift loss by HVAC cooling towers is typically within the range 0.1–0.2% and most engineers simply use the higher value when evaluating make-up water requirements.

Blowdown Loss: Water treatment programs for deposition control routinely require *blowdown*, the intentional wasting condenser water to increase the amount of make-up water to maintain the ratio of dissolved solids in the condenser water at a desirable level (see Chap. 13). The water treatment program will establish the required number of *cycles of concentration*, which is the ratio of the amount of dissolved solids in the condenser water to the amount in the make-up water. Once the cycles is determined, the amount of required blowdown can be computed via Eq. (11.3)

$$BD = E / (\text{Cycles} - 1) \quad (11.3)$$

where BD is the blowdown flow, gpm; E , evaporation rate, gpm; Cycles, cycles of concentration established by water treatment program.

Typically, the cycles of concentration will be between 5 and 10, and the lower value, which requires greater blowdown to achieve, is often used to establish make-up water flow rates.

Thus, the maximum required make-up water flow rate, per gpm of condenser water flow, can be conservatively computed as follows:

Evaporation: $(0.01 \times 1 \text{ gpm})$	0.0100 gpm
Drift: $(0.0020 \times 1 \text{ gpm})$	0.0020 gpm
Blowdown: $[0.01 \text{ gpm}/(5 - 1)]$	0.0025 gpm
<hr/> Total Make-Up:	<hr/> 0.0145 gpm

A 500-ton chiller with a rated condenser water flow rate of 3 gpm/ton would have a condenser water flow rate of 1500 gpm and the maximum amount of make-up water required would be $(1500 \text{ gpm CDW} \times 0.0145 \text{ gpm make-up/gpm CDW})$ or 22.75 gpm. For an “optimum” chiller with a condenser water flow rate of 2.8 gpm/ton, the make-up water requirement would be 21.23 gpm at the peak load of 500 tons.

A water meter, of a type satisfactory to the local municipality, should be installed in the make-up water supply line so that the amount of water consumed by the tower can be accurately determined. Most municipal water and sewer systems will provide a credit against sewer costs for water lost through a cooling tower.

11.5.3. Drain and Overflow Piping

Every cooling tower must have drain and overflow piping connected to a sanitary waste water system. *It is illegal to drain chemically treated condenser water into storm or site drainage systems.*

The overflow portion of the system is simply an open drain at the same level as, or slightly above, the operating water level in the basin. If excess water enters the basin, it automatically flows into the overflow drain and is wasted. A manual isolation valves controls the basin drain connection, which allows the basin water to be emptied for periodic maintenance.

11.5.4. Multiple Towers or Cells Piping

When two or more cells are piped together to act a one cooling tower, each cell is typically provided with the piping systems outlined above. However, there are some modifications and additions that must be considered.

Common Condenser Water Piping System: If each cell is piped from a common condenser water piping system, automatic isolation valves on both the supply and return are required to control flow through the cell (see Chap. 12). Without the isolation valves, part of the flow may go through inactive cells, destroying the ability to control the CDWS temperature.

The elevation and inlet pressure requirements for multiple cells must be considered if different types of cooling towers or tower cells (or similar towers by different manufacturers) are to be utilized together. First, the basin operating water level for each tower or cell must be at the same elevation. For crossflow

towers, the wet deck basins must have the same elevation or flow will tend to favor the lower basin, which will routinely overflow while the higher basin tends to run dry. To avoid this problem, it is necessary to install the supply piping to each cell at the same elevation above the higher inlet and letting the water fall into the individual inlets. To prevent siphoning, a vent, as shown in Figure 11.13, is required for the lower cell and the *downcomer* pipe must be sized on the basis of gravity flow. (Also as shown in Figure 11.13, piping to each cell should be kept as symmetrical as possible to reduce flow imbalance resulting from different pressure losses through different flow paths.)

Even when multiple gravity flow inlets are at the same elevation, equal flow distribution is, for all practical purposes, impossible to achieve and there will always be slight flow imbalance from cell to cell.

For counterflow towers, water spray connections should be at essentially the same elevation and fitted with nozzles requiring the same water pressure in order to equalize static head requirements for the condenser water pump.

Avoid mixing crossflow and counterflow tower cells on the same condenser water piping system. The different elevations and inlet pressure requirements for the two types of towers make it essentially impossible to balance flow between them well enough to maintain satisfactory operation.

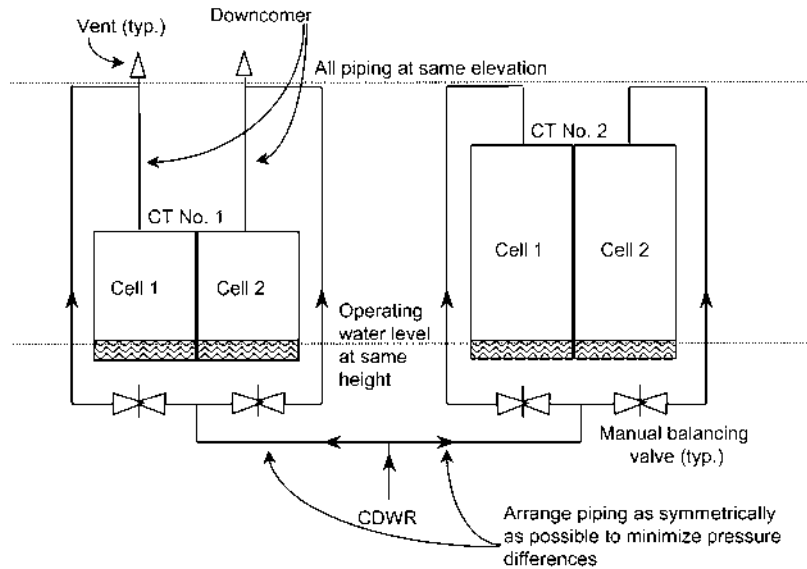


FIGURE 11.13. Condenser water supply piping schematic for multiple towers or cells with different inlet elevations.

Common Basin: Where the cells share a common basin, or where individual cell basins are connected together, two considerations must be addressed:

1. A single make-up water valve and level control is required, not one for each basin. With multiple make-ups to a single basin, the controllers will “fight” each other and level control will be impaired.
2. Multiple, individual cell basins can be connected together to form a single basin by installing manufacturer-fabricated *basin connectors* between each basin. These connections create large openings between each cell basin, effectively creating one common basin. An alternative approach would be to operate the tower with “dry” individual cell basins and drain all supply condenser water to a common remote sump (see Sec. 14.1).

Where each cell has an individual basin, the basins can be connected together with an *equalizer line*, as shown in Figure 11.14. No matter how closely matched the piping is between cells, flow to each cell is never exactly balanced. Without the equalizer line, one cell basin would probably overflow while another was pumped dry. The equalizer line allows water to flow between tower basins and compensate for the minor flow imbalances between the cells that will exist.

Based on experience, the equalizer line is typically sized to accommodate 15% of the flow rate of the largest cell. On this basis, Table 11.5 summarizes recommended equalizer line sizes relative to tower cell flow rate.

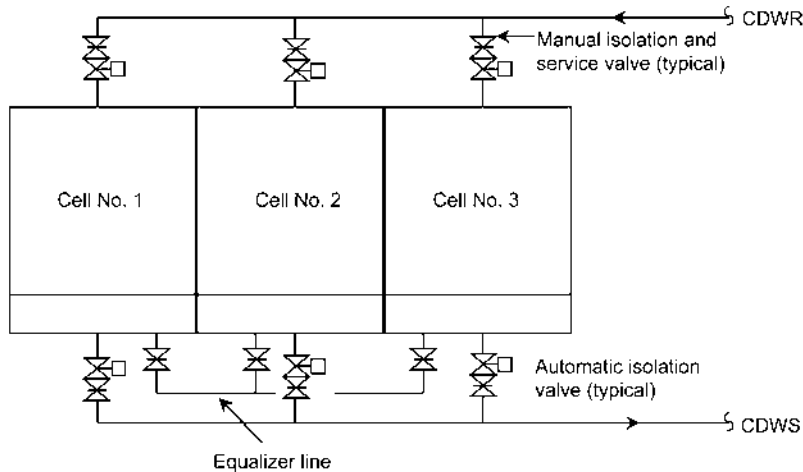


FIGURE 11.14. Recommended multiple tower or cell isolation and equalizer piping schematic.

TABLE 11.5. Multicell Tower Equalizer Line Size

Largest cell flow rate (gpm)	Equalizer line size (in.)
Up to 240	4
241–627	6
628–1167	8
1168–1925	10
1926–2820	12
2821–3465	14
2336–3850	2@10
3851–5640	2@12

With an equalizer line, the water operating level will be essentially the same in each cell basin. Therefore, it is critical that each cell be installed so that its recommended operating water level is at the same elevation as adjacent cells. This may require cell height adjustment(s) if different cell styles or cells by different manufacturers are piped together.

11.6. PUMP SELECTION, PLACEMENT, AND PIPING

For HVAC condenser water systems, centrifugal pumps (as discussed in Sec. 3.3) are the most commonly used type of pump and inline, end-suction, horizontal split case, and vertical split case pumps can all be used for condenser water service. However, for some applications, vertical turbine pumps are preferred. Vertical turbine pumps, as shown in Figure 11.16, have two or more impellers mounted in *stages* along a common shaft, with the discharge of each stage serving as input to the next. Both the motor and pump shafts are arranged vertically. This pump is designed with a piped discharge connection, but the intake is designed to be simply submersed in a tank or pool of water (such as a cooling tower basin).

Part of the head that must be produced by a condenser water pump consists of the piping friction losses in the condenser water system (including piping, fittings, valves, etc. and the chiller condenser) and these losses can be computed the same as for chilled water systems (see Sec. 3.3.2). However, since the condenser water system is an open system, two additional pressure conditions must be evaluated:

1. *Static head* is the height, in terms of feet of water column that the condenser water must be lifted and is normally simply the elevation difference between the operating water level in the basin and the wet deck, as shown by Figure 11.15. It makes no difference if the tower is

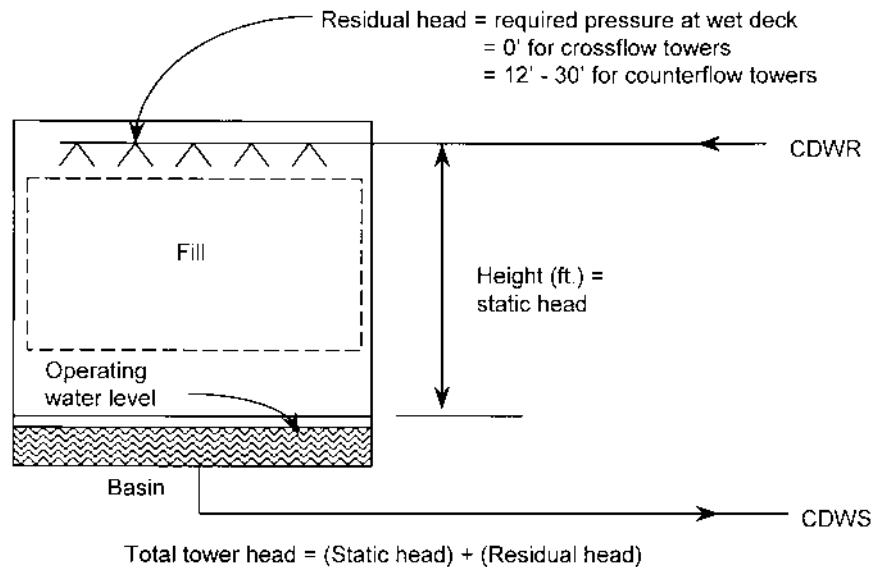


FIGURE 11.15. Condenser water pressure loss elements at the cooling tower.

on the roof of a tall building or sitting on the ground outside the chiller room, the static head is represented *only* by the height of the “open” portion of the condenser water system, which is always the tower itself.

2. Required residual pressure at the wet deck is the final component of the condenser water head requirement. For crossflow towers, the gravity wet deck system imposes no residual pressure requirement. But, for counterflow towers, the required spray nozzle pressure (typically 2–5 psig) must be included. (The residual head requirement is computed by multiply the psig pressure requirement by 2.31 ft of water/psig.)

A check valve must always be installed at the pump discharge. The check valve prevents condenser water in the piping on the discharge side of the pump from “draining back” through the pump and into the basin while seeking an equilibrium level (Bernoulli’s Law) when the pump is not operating.

With base-mounted end-suction or split case pumps, the pump may be located near the cooling tower or may be located remotely in a mechanical equipment room. In both cases, two conditions must be satisfied:

1. The pump and all condenser water suction piping (piping between the cooling tower basin and the pump inlet) must be installed below the base tower basing operating water level. If any section of the suction piping is installed above the basin water level, a portion of the water

will drain back anytime the pump is shutdown. Unfortunately, the next time the pump is started, there will be an air gap in the piping and there will be no condenser water flow.

2. The available net positive suction head (NPSH) must be equal to or greater than the pump’s required NPSH in order to prevent pump cavitation.

Cavitation is a condition that results when the pressure at the pump impeller inlet is below the vapor pressure of the water, resulting in “flash” vaporization and the formation water vapor bubbles within the flow stream. As the pump impeller increases the pressure, these bubbles collapse and the resulting noise is very similar to rattling marbles in a can. The pump can be damaged by cavitation (localized pitting on both the impeller and the casing) and, thus this condition must be avoided.

Available NPSH is determined from (Eq. 11.5).

$$\text{NPSH} = \text{BP} - H - \text{SH} - \text{VP} \tag{11.5}$$

where NPSH is the available net positive suction head, ft of water column; BP, the barometric pressure, ft of water, absolute; *H*, the pressure loss due to friction in the suction piping, ft of water; SH, the static head on the suction side of the pump (“lift”), ft of water; VP, the water vapor pressure, ft of water, at water temperature.

The BP and VP values for typical HVAC conditions are summarized in Tables 11.6 and 11.7.

Vertical turbine pumps are always located at the tower since the suction side of the pump must be installed in the basin or in a sump or basin extension specifically constructed for the pump. Vertical turbine pumps are a good option

TABLE 11.6. Water Vapor Pressure (VP) as a Function of Temperature

Temperature (°F)	Vapor pressure (ft. of water, absolute)
40	0.28
45	0.35
50	0.42
60	0.59
70	0.89
80	1.17
85	1.38
90	1.61
100	2.19

TABLE 11.7. Barometric Pressure (BP)
as a Function of Elevation

Elevation (ft)	Atmospheric pressure (ft of water)
0 (sea level)	33.9
500	33.3
1000	32.8
1500	32.1
2000	31.5
3000	30.4
4000	29.2
5000	28.2

when it is necessary to locate the pump at the tower due to one or both of the following conditions that would result in an NPSH problem for a horizontal pump:

1. Long suction piping lengths to a remote pump.
2. The tower elevation is significantly below the elevation of a remote pump.

Figure 11.16 illustrates a typical vertical turbine pump installation.

Side outlet sumps on HVAC cooling tower basins are designed to minimize vortexing and associated air entrainment in the supply condenser water. But, as the water flows through the cooling tower, it becomes aerated and leaves the tower with some entrained air. In the pump suction piping, i.e., piping between the tower basin and the pump inlet, some of this air will tend to separate. At the pump, if an eccentric reducer is installed in a *flat on bottom* configuration, released air will be “trapped” in the top of the suction piping, reducing the effective pipe area and impeding flow. Additionally, free air can enter the pump, causing a noise similar to cavitation. This condition can be simply avoided by using concentric reducers or installing an eccentric reducer in a *flat on top* configuration.

11.7. EVAPORATIVE CONDENSERS AND COOLERS

Evaporative condensers and coolers are “first cousins” of the cooling tower, the difference being the use of a “closed” coil in lieu of “open” fill.

The vast majority of direct expansion (DX) cooling systems use ambient air as their heat sink for condensing the refrigerant during the vapor compression

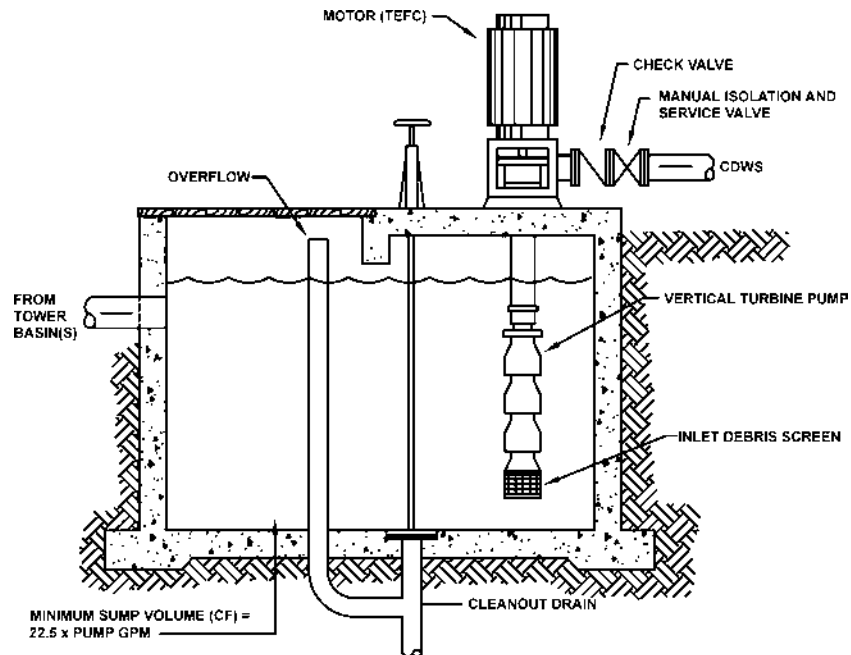


FIGURE 11.16. Recommended installation for remote condenser water sump with a vertical turbine pump.

refrigeration cycle. For comfort cooling, the refrigerant condensing temperature is typically 110–140°F, resulting in 75–100°F refrigerant *lift* or energy input. With evaporative cooling, the condensing temperature can be reduced to 95–105°F, saving significantly on the system energy requirement.

The *evaporative condenser*, as illustrated schematically in Figure 11.17, replaces the tower fill with a refrigerant-to-air cooling coil. Water is introduced through a spray type wet deck in a counterflow configuration to the airflow. By wetting the coil surface and allowing evaporative cooling to occur, the effective air temperature is reduced by 10–15°F, which results in significantly improved heat transfer and a lower condensing temperature compared to dry air cooling. Evaporative condensers are usually designed for saturated condensing temperatures between 95 and 105°F with an entering wet bulb temperature of 78–80°F.

Water flow to an evaporative condenser is typically between 1.0 and 1.25 gpm/ton simply because their range is higher (usually 25–30°F). The evaporation rate, however, is the same as for a cooling tower, 0.1% per degree of range, and water treatment is required (see Chap. 13).

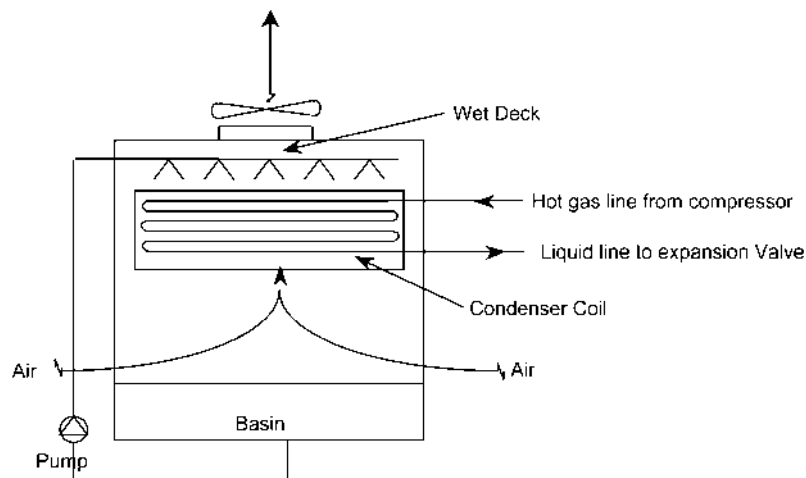


FIGURE 11.17. Evaporative condenser schematic.

The *evaporative cooler* is configured the same as the evaporative condenser except that a liquid, rather than refrigerant vapor, flows through the coil. This device is sometimes referred to as a *closed-circuit cooler* since the liquid is not circulated through an “open” cooling tower.

Evaporative coolers are larger, more expensive, and require higher fan energy input than a cooling tower sized for the same capacity, range, and approach. However, they allow for the cooling of liquids other than water, such as the water–glycol mixes that are often used in data processing cooling and water source heat pump systems.

The use of both evaporative condensers and evaporative coolers is somewhat limited in HVAC applications and a detailed discussion is beyond the scope of this text.

12

Cooling Tower Controls

HVAC cooling tower control falls into four areas: start-up control, capacity or condenser water temperature control, make-up water control, and operating safety control.

12.1. START/STOP CONTROL

Obviously, the first step in controlling the operation of a cooling tower is to simply turn it on and off when needed. For a “dedicated” tower, starting and stopping is controlled by an electrical “interlock” with the chiller, so that the tower is allowed to operate anytime the chiller is in operation. This interlock first starts the condenser water pump(s) to establish flow and, then, the actual tower operation is controlled by the capacity control scheme applied (see Sec. 12.2). In a multitower or multicell common condenser water system, the tower start/stop control is an integral part of the capacity control scheme for the system.

Figure 12.1 illustrates a common hardwired dedicated chiller, condenser water pump, and cooling tower interlock scheme.

For any condenser water system, either single tower or multitower/cell, the initial system start-up can create a problem. If the system has been shutdown overnight, as often happens in the spring and fall, the condenser water temperature in the tower basin may be relatively cold (below about 65°F). If this

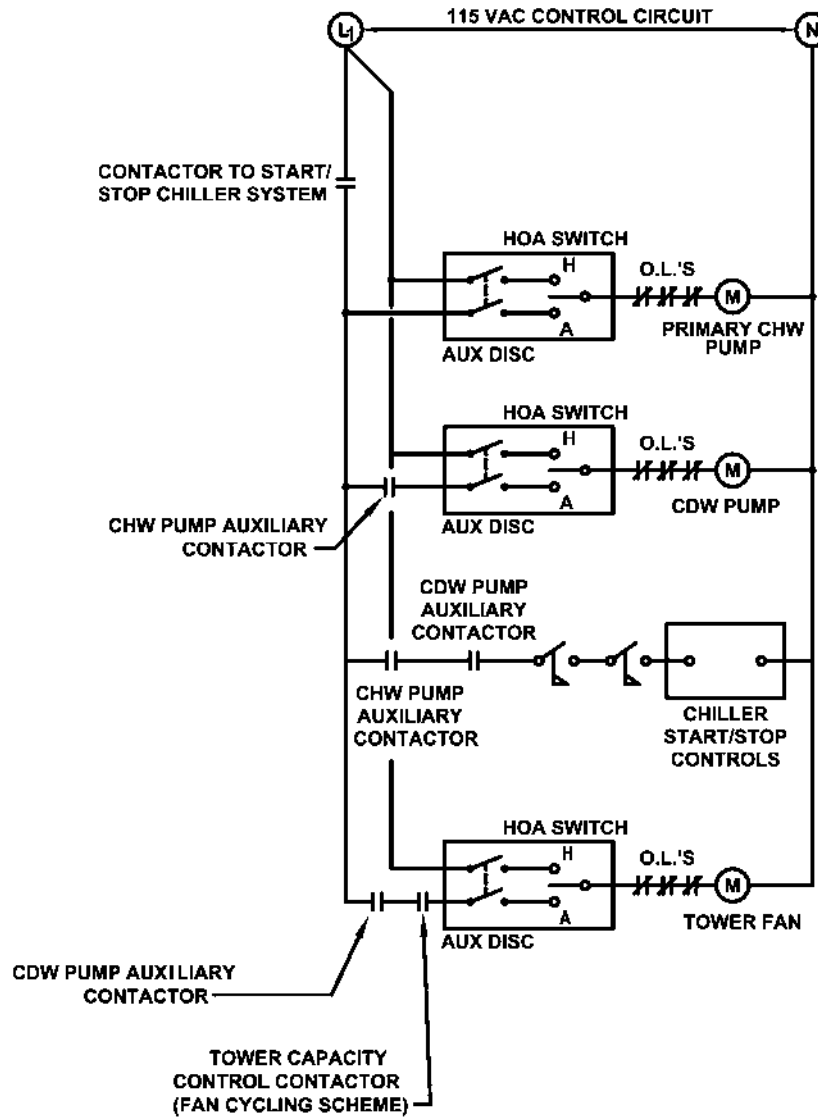


FIGURE 12.1. Dedicated chiller and cooling tower interlock wiring schematic.

cold water is circulated to the condenser, the chiller may shut down by its safety operating controls due to “low condenser water temperature” or “low refrigerant temperature.” In either case, the chiller will simply not start until the condenser water temperature is increased to above 65°F. To prevent this problem, a

modulating three-way control valve should always be included with HVAC cooling tower systems.

The control valve is normally open to the bypass (normally closed to the tower). Thus, upon start-up, all condenser water flow bypasses the tower and simply circulates through the condenser. As the chiller loads, the condenser begins to reject heat to the water, raising its temperature. As the temperature rises, to setpoint (usually 70–75°F), the control valve modulates the bypass port closed, diverting the water to the tower, upon which the tower capacity control scheme takes over.

The bypass control valve should be placed as close to the condenser as possible, but it must also be at an elevation at or below the tower basin operating water level if the bypass line is connected directly to the condenser water supply line. If not, when the chiller and its condenser water pump shut down at night, the bypass port reopens and the water in the bypass line will drain to the same level as the tower operating water level. This, in turn, creates an “air gap” or “bubble” in the bypass. Upon start-up the next morning, this air bubble will enter the pump, causing it to lose prime and all flow will stop—immediately causing the chiller to shutdown!

If the valve cannot be installed below the tower operating water level, the bypass must be piped to the tower basin. Thus, while the drain down will still occur, the resulting air bubble cannot enter the pump. (An alternative would be to install a check valve in the suction piping between the bypass connection and the tower basin. But, over time, the check valve will probably leak and the problem will return.) In this configuration, however, the basin water, at a low temperature, is supplied to the condenser, so chiller start-up problems may result. Figure 12.2 illustrates the correct bypass valve location in the condenser water piping.

For proper bypass valve installation and operation, the valve should be located and piped as follows:

1. Locate the valve as close to the condenser as possible.
2. The valve and all piping should be below the tower(s) water operating level.
3. The valve bypass should be piped directly to the condenser water supply.

The bypass control valve, ideally, would have linear flow characteristics. Butterfly valves, which are normally used for bypass duty, have equal percentage flow characteristics. However, a butterfly valve will have a nearly linear relationship between “% open” and “% flow” if it is selected to operate with a maximum 70° rotation and a 33% authority setting.

Additionally, to aid maintenance, the butterfly valves should be the full-lug type, with operators sized for tight shutoff. Thus, these valves can be used as isolation valves, also.

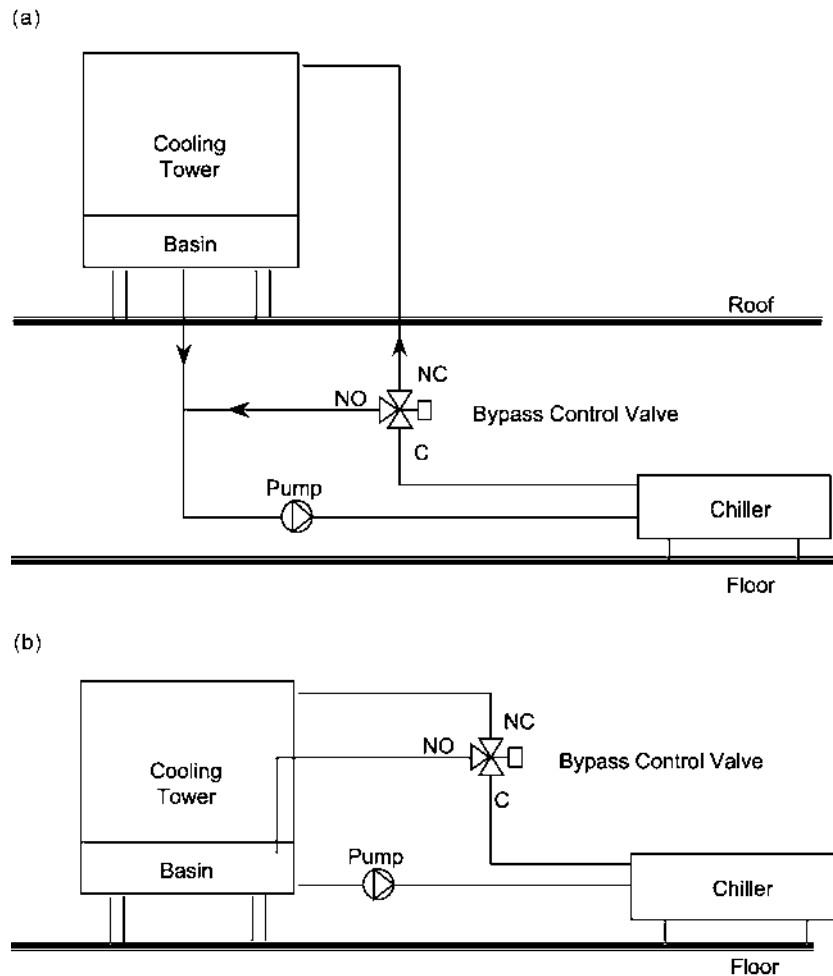


FIGURE 12.2. (a) Cooling tower bypass valve installation: chiller, pump, and piping located below tower basin level. (b) Cooling tower bypass valve installation: chiller, pump, and piping located on the same level as the tower basin.

To select the bypass valve on this basis, compute the control valve flow coefficient C_v from Eq. (12.1).

$$C_v = PD^{0.5}/F_{cdw} \quad (12.1)$$

where PD = required pressure drop across valve at design flow (psig) and F_{cdw} = design condenser water flow rate (gpm).

PD must be equal to or greater than the sum of the static head and residual head required by the tower at design flow.

Based on the computed flow coefficient, the correct valve size can be selected from Table 12.1.

12.2. CAPACITY CONTROL

Tower capacity control is synonymous with condenser water temperature control via manipulation of the airflow through the tower. Condenser water supply temperature

TABLE 12.1. Tower Bypass Butterfly Control Valve Size

Approximate C_v at 70° rotation	Pipe size (in.)	Required butterfly valve size (in.)
69	3	2
136	3	2-1/2
201	4	3
496	4	4
348	6	4
611	6	5
722	6	6
533	8	5
784	8	6
913	8	8
729	10	6
1,462	10	8
2,948	10	10
1,347	12	8
2,367	12	10
4,393	12	12
2,174	14	10
3,565	14	12
5,939	14	14
3,261	16	12
4,923	16	14
7,867	16	16
4,509	18	14
6,597	18	16
10,065	18	18
6,042	20	16
8,629	20	18
12,535	20	20
8,789	24	18
11,666	24	20

will decrease if the imposed cooling load falls, as indicated by a reduced condenser water return temperature, and/or the outside air WB temperature lowers. Thus, to prevent the condenser water from becoming too cold, the tower capacity must be reduced to maintain the condenser water supply temperature setpoint.

Vapor compression cycle systems have a 1.5–2.5% improvement in operating efficiency and resulting energy consumption for each 1°F decrease in condenser water supply temperature. Most manufacturers have set the minimum temperature at 70–75°F for centrifugal chillers, though a least one manufacturer guarantees operation down to 55°F condenser water supply temperature. Rotary screw compressors can operate with a condenser water supply temperature lower than for centrifugal compressors, but the minimum temperature will vary from manufacturer to manufacturer. Thus, it is better to establish the condenser water temperature control setpoint as 70–75°F.

While a lower condenser water supply temperature will result in lower chiller energy consumption, the cooling tower fan energy consumption will increase somewhat for this mode of control. But, studies have shown that chiller energy savings usually far exceed the additional cooling tower energy consumed within the temperature ranges discussed here.

Figure 12.3 illustrates a simple condenser water temperature control sequence, including both tower bypass control and tower fan control.

12.2.1. Fan Cycling

The simplest method of condenser water temperature control is to vary airflow by cycling the cooling tower fan(s) on and off. It is necessary to establish both a

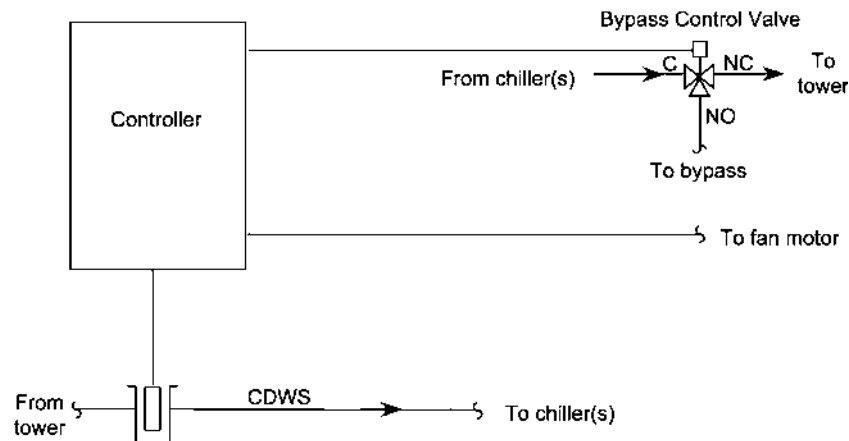


FIGURE 12.3. Simplified condenser water temperature control system.

condenser water supply temperature setpoint and a reasonable throttling range (or control differential), usually 2–3°F. Thus, the fan is started when the supply temperature rises to setpoint plus half of the differential and stopped when the supply temperature is reduced to setpoint minus half of the differential. Thus, with a 75°F setpoint and a 3°F differential, the fan starts at 76.5°F water temperature and stops at 73.5°F.

Figure 12.4 illustrates this control process. Note that the “actual” differential will be greater than the controller differential due to thermal mass in the system and time delay in initiating and terminating the heat transfer process in the tower and condenser.

When selecting the controller differential, it is important to pick one that is reasonable (2–3°F). Too great a differential will cause erratic control by allowing too much temperature variation, while too small a differential will result in rapid or “short” cycling of the tower fan(s) and can result in rapid motor failure, drive damage, or even fan or shaft failure.

A drawback to fan cycling control is that under very light load conditions, the tower capacity is so great compared to the imposed load that rapid fan cycling could occur. Thus, as discussed in Sec. 10.7.2, two-speed fan motors or tandem pony motors are recommended for cooling towers since they allow an improvement beyond on–off fan cycling control by adding an intermediate capacity level: half speed. The fan-cycling control concept is the same, except that a second stage of control is added, as shown in Figure 12.5.

Figure 12.6 illustrates a typical condenser water interlock wiring scheme for a 2-speed tower fan motor or a main motor and pony motor.

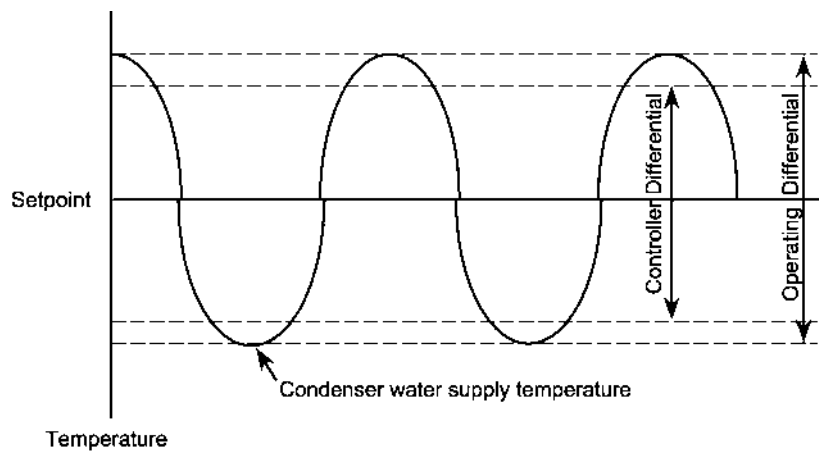


FIGURE 12.4. Condenser water supply temperature control based on tower fan cycling.

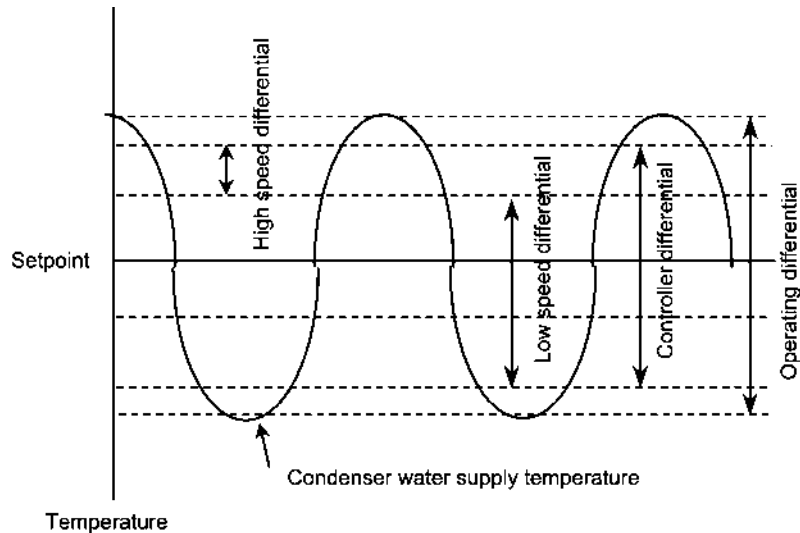


FIGURE 12.5. Condenser water supply temperature control based on tower 2-speed fan cycling.

With two-speed or pony motor control, a short time delay (about 15 sec) must be included when gear drives are used to prevent drive damage that may result from rapid speed change and the resulting “braking” effect.

12.2.2. Fan Speed Control

In lieu of the “step control” of tower fan(s), cycling, modulating, or “proportional” control can be achieved through the use of tower inlet dampers, variable pitch axial fans, or fan speed control.

Dampers, applied to the inlet side(s) of a cooling tower, have proved to be serious maintenance headaches while, due to their nonlinear control characteristics at low velocities, providing relatively poor airflow control. Thus, dampers are generally no longer used in HVAC cooling towers.

The controllable-pitch axial fan concept is widely applied in propeller-driven aircraft, but has a poor operational history in cooling tower applications. The mechanical linkages utilized have proven to be unreliable and a constant maintenance problem. Again, this concept is rarely used in HVAC cooling towers.

Variable frequency drives (VFDs) have been successfully applied to cooling tower fan motors so that condenser water supply temperature could be controlled by changing the fan speed in direct proportion to the change in

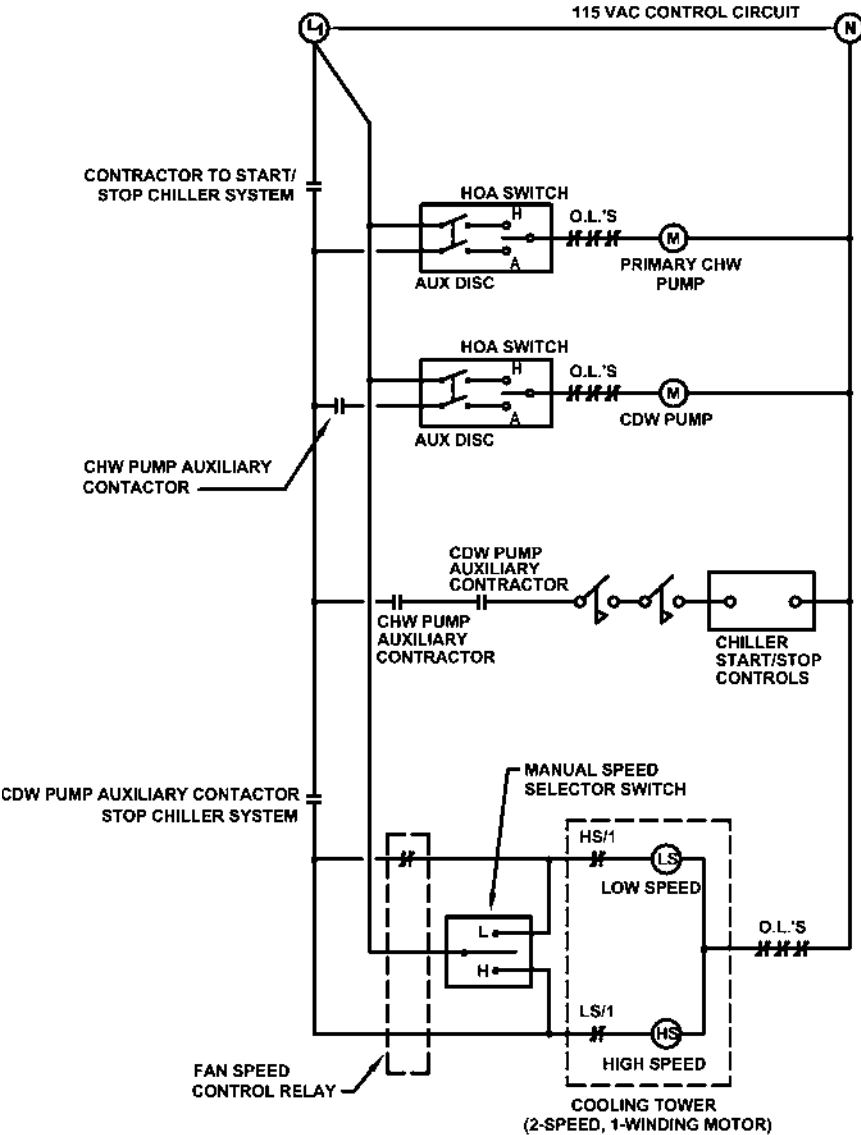


FIGURE 12.6. Dedicated chiller and cooling tower with 2-speed fan interlock wiring schematic.

condenser water supply temperature. Thus, a 10% increase above setpoint of the condenser water supply temperature would result in a 10% increase in fan speed, i.e., *proportional* control.

With proportional control, there is a linear relationship between the final control element (the VFD) and the controlled variable (condenser water supply temperature). The setpoint is typically in the middle of the throttling range, but the final control element is seldom in the middle of its range, resulting in a control point that is “offset” from the setpoint. Typically, the control point and setpoint will be the same at 50% load, but the condenser water temperature will tend to be lower at light load conditions (less than 50% load) and higher at heavier load conditions (greater than 50% load). To eliminate offset, an *integral function* should be introduced to the proportional control loop. The integral function acts to “reset” the control point anytime if it drifts off setpoint. This control mode is called *proportional + integral (PI)* and is the recommended mode for fan speed control.

The application and cost-effectiveness of VFDs has been widely discussed in the industry and the following guidelines for their application have been developed:

1. Avoid operating the cooling tower fan at its “critical speed,” or at a multiple thereof.
2. Be very careful when applying VFDs to gear drives. The braking action created by the motor as the speed is slowed can cause damage to the gear drive and the VFD. Also, at low speeds, gear drives may cause vibration, noise, or gear “chatter.” A separate, electrically driven oil pump may also be required to provide lubrication at low speeds. (Coordinate these items carefully with the tower manufacturer).
3. Figure 12.7 illustrates the relative energy use by an HVAC cooling with a 2-speed fan motor vs. the same tower with a VFD. Thus, unless the tower is very large (40 hp or greater motor size), the savings produced by the VFD will rarely offset the additional cost for the VFD.
4. Using VFDs on each tower in a multitower system, no matter what the motor size, is a waste of money since the operating cost savings over tower staging control will not offset the additional costs for multiple VFDs. In a case where operation under very light loads is anticipated, e.g., below 50% of a single tower’s or cell’s capacity, then a VFD on *one* tower may be cost effective if (1) the tower is large and (2) this tower is always the first and last stage in the tower operation sequence.
5. VFDs must have bypass switching (automatic or manual) so that the tower can be operated even if the drive fails. The fan speed control system, then, must include provisions to revert to fan cycling control in this event since the fan can only operate a full speed.

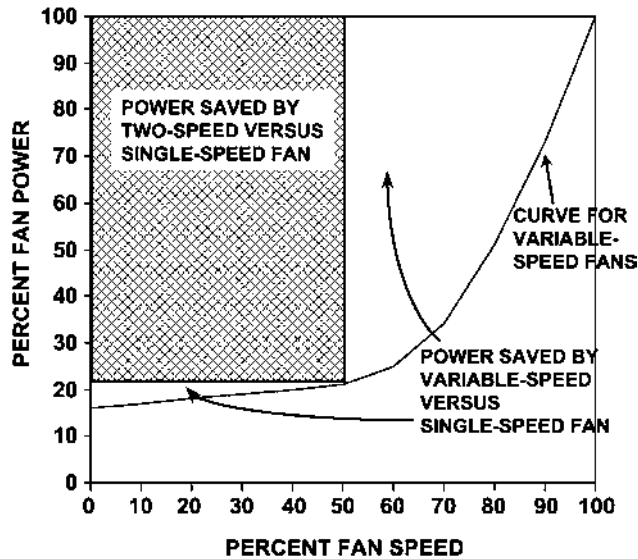


FIGURE 12.7. Cooling tower fan power requirement: 2-speed fan cycling control vs. variable speed control.

Even with VFDs, there is a “minimum” speed required to keep the fan motor from overheating. If the tower capacity at the minimum fan speed exceeds the required capacity, the fan control mode must revert to fan cycling, albeit at the minimum speed.

12.2.3. Tower Staging

In a multiple tower or cell common condenser water system, capacity control is accomplished by a combination of water flow control and fan cycling.

With increasing load, the automatic isolation valves at each tower or tower cell should be sequenced open so that flow is provided through all towers before any tower fan is started. At light cooling loads, maximizing the available heat transfer surface before running a fan is more energy efficient. Once flow is established to each tower or cell, the fans can be staged on and off in sequence to control capacity.

When multiple towers or tower cells utilize 2-speed or pony motors, it is more energy efficient to operate all cells on low speed before switching any cell to high speed with increasing load. The incremental power increase associated with starting an additional fan on low speed is less than 79% of the power increase from switching a fan from low speed to high speed. (Likewise, on a

falling load, all fans should be switched to low speed before any fan is cycled off). The use of additional towers or tower cells also increases the heat transfer surface that is available, decreasing approach and the condenser water supply temperature.

12.3. MAKE-UP WATER CONTROL

The make-up water to an HVAC cooling tower is controlled by monitoring the tower basin water level. Two types of devices are used for this duty:

Mechanical float valves are simple float-operated valves that modulate open to add water as the float falls with the basin water level and modulate close as the float rises. However, these valves are not reliable or accurate and are routine maintenance headaches. Thus, they are not recommended except for the smallest of HVAC cooling towers.

Electronic level sensors and controllers are commonly applied to HVAC cooling towers. The level sensor has four probes that detect water level in the basin:

- High water level alarm
- High operating water level
- Low operating water level
- Low water level alarm

When the water level drops to the low operating water level, a signal opens a make-up water solenoid valve to add water to the system. When the water level rises to the high operating water level, a signal closes the make-up valve.

12.4. OPERATING SAFETY CONTROLS

The high and low water level alarms from the tower electronic level controller(s) should be wired to the facility management system or, at a minimum, to both visual and audible alarm annunciators. (A tower that floods can be annoying, but a tower that runs dry puts the cooling system out of commission).

For towers with propeller fans, there is always a potential, however small, that a fan may damage or lose a fan blade. If the fan, now badly out of balance, continues to operate, vibration damage to the fan, the drive, and the tower structure can result. *To prevent this condition, it is recommended that all propeller fan towers be equipped with a vibration switch that de-energizes power to the fan motor in the event of tower vibration.* The switch is normally installed outside the fan cylinder, near the motor, in a weatherproof enclosure (NEMA 3R or 12 type).

13

Condenser Water Treatment

Condenser water treatment is required to prevent or control deposition (scaling), corrosion, and microbiological fouling of cooling towers, condensers, and piping.

13.1. DEPOSITION CONTROL

Deposition is the term that is used to describe scale and other deposits that may form on the heat transfer surfaces of a condenser water system. Water has been called the “universal solvent” and make-up water will always contain dissolved mineral solids to a greater or lesser extent. The purpose of the deposition control portion of a condenser water treatment program is to prevent the amount of dissolved solids from becoming so high that they will begin to be deposited on the wetted surfaces of the system.

The amount of dissolved solids in make-up water depends on the source of the water and the geology of the area. However, most regions of the United States have some sedimentary rock, such as limestone, with which water comes into contact. The water readily dissolves the calcium and magnesium carbonate, the major components of limestone, which, in solution, separate into ions of positively charged calcium and magnesium and negatively charged carbonate and bicarbonate.

Obviously, the more limestone there is in the local geology, the greater the amount of dissolved solids, and the “harder” the water. Areas with little limestone

will have lower concentrations of dissolved solids and will be “soft” by comparison. Table 13.1 defines the levels of total dissolved solids relative to various water hardness levels. Since calcium, magnesium, and carbonate are found all together and they are not easily distinguishable by chemical test, all three are expressed as CaCO_3 (calcium carbonate) for water treatment applications.

Deposits of calcium carbonate on wetted surfaces in a condenser water system act as insulation and seriously reduce the heat transfer effectiveness. Deposit thickness can increase to where it reduces flow areas, thus, significantly reducing flow rates as associated velocity and pressure loss increases. In effect, significant calcium carbonate deposits will destroy the effectiveness of the condenser water system and the refrigeration system it supports.

As a portion of the condenser water flow is lost by evaporation through the cooling tower, the concentration of dissolved solids increases since solids are left behind as the liquid evaporates. Make-up water, which is added to the condenser water system to offset the evaporation losses, will add dissolved minerals at a lower concentration level than the condenser water and, thus, some equilibrium concentration level will be maintained. However, if this equilibrium concentration level is high enough that deposition occurs, then a program to control solids' concentration at a lower level is required.

The concentration of dissolved solids can be reduced by adding more make-up water, which has a lower concentration, to the condenser water, which has a higher concentration. However, to add water to the system, an equal amount must be removed from the system by *blowdown*, the intentional “dumping” of condenser water to drain.

The tendency to form calcium carbonate deposits (scale) is a function of the temperature, pH, calcium hardness, total alkalinity, and total dissolved solids of the water:

Temperature: The condenser water supply temperature for HVAC systems will range from 70°F at low ambient wet bulb and light load to 85°F at design wet bulb temperature and load. Most scale-forming dissolved solids have the unusual property of becoming less soluble as the water temperature increases. Thus, the greatest potential for scaling occurs at design conditions.

TABLE 13.1. Water Hardness Scale

Water hardness	Concentration of CaCO_3 (ppm)
Soft	0–75
Moderately hard	76–150
Hard	151–300
Very hard	Over 300

pH: Water is made up of hydrogen and oxygen as follows:

- H⁺ protonated water molecule
- OH⁻ hydroxyl radical or hydroxide

Combining H⁺ with OH⁻ yields H₂O, water.

Chemically, pH is a negative logarithmic scale defining the relative concentration of H⁺, as shown in Table 13.2. Each increase or decrease of pH by 1 represents a 100-fold increase or decrease in the amount of acidity or alkalinity (base).

Calcium Hardness: The amount of calcium carbonate in the water, ppm.

Total Alkalinity: The amount of negatively charged ions of hydroxide (OH⁻), bicarbonate (HCO₃⁻), and carbonate (CO₂²⁻) in the water, ppm, and represents the ability of the water to neutralize acid. Alkalinity occurs in all water with a pH above 4.4.

Total Dissolved Solids: The amount of all dissolved solids (calcium, magnesium, phosphate, iron, etc.) in the water.

Since 1936, with the introduction of the Langelier Saturation Index (LSI), water treatment specialists have attempted to “predict” the potential for deposition based on water chemistry and, thus, establish the required “cycles” to maintain deposition control.

TABLE 13.2. pH Scale

pH	H ⁺ concentration (g mol/L)	Relative acid	Relative base
14	10 ⁻¹⁴		10,000,000
13	10 ⁻¹³		1,000,000
12	10 ⁻¹²		100,000
11	10 ⁻¹¹		10,000
10	10 ⁻¹⁰		1,000
9	10 ⁻⁹		100
8	10 ⁻⁸		10
7	10 ⁻⁷	Neutral	
6	10 ⁻⁶	10	
5	10 ⁻⁵	100	
4	10 ⁻⁴	1,000	
3	10 ⁻³	10,000	
2	10 ⁻²	100,000	
1	10 ⁻¹	1,000,000	
0	10 ⁰	10,000,000	

The LSI is computed from Eq. (13.1).

$$\text{LSI} = \text{pH}_a - \text{pH}_s \quad (13.1)$$

where pH_s is the pH at saturation and pH_a is the actual pH.

The pH_s is computed on the basis of the water analysis data from Eq. (13.2).

$$\text{pH}_s = 12.3 - (\log_{10}\text{Ca} + \log_{10}\text{TA} + 0.025T - 0.011\text{TDS}^{0.5}) \quad (13.2)$$

where Ca is the calcium hardness, ppm; TA is the total alkalinity, ppm; T is the temperature, °C; and TDS is the total dissolved solids, ppm.

LSI generally has a value from +3.0, which indicates high deposition potential, to -3.0, which is often used to indicate a high corrosion potential.

However, the LSI prediction for deposition or corrosion is, particularly for cooling tower systems, often wrong simply because the value of pH_a can rarely be predicted accurately. This value is a function of the properties of the make-up water, the actual cycles of concentration, the quality of mixing of the condenser water and make-up water streams, airborne contaminants in the water, etc., and is almost impossible to accurately predict. In the water treatment industry, the chemistry of the make-up water is used as the starting point and, as cycles are increased, the expected value of the actual pH is then computed. While the result may not be always accurate due to limited number of factors that are addressed, it does provide a basis upon which to begin.

In 1944, an attempt to improve the prediction of deposition potential was introduced by the Ryzner Stability Index (RSI) from Eq. (13.3).

$$\text{RSI} = 2(\text{pH}_s) - \text{pH}_a \quad (13.3)$$

Typically, the RSI will have a value of 3.5, indicating high deposition potential, to 9.0, indicating high corrosion potential. However, the limitation on the accuracy of predicting pH_a is not improved by the RSI and RSI is no more or less valid as a predictor than the LSI.

Because of the unreliability of both LSI and RSI to accurately predict deposition or corrosion conditions in cooling tower systems, in the 1970s a new index called the Puckorius Scaling Index (PSI) was developed. The PSI is based on correcting the actual pH to match the total alkalinity of the water and is computed with Eq. (13.4).

$$\text{PSI} = 2(\text{pH}_s) - \text{pH}_{\text{eq}} \quad (13.4)$$

where pH_{eq} is the adjusted or equilibrium pH computed from Eq. (13.5) as

$$\text{pH}_{\text{eq}} = 1.465\text{Log}_{10}\text{TA} + 4.54 \quad (13.5)$$

The range of values of PSI are essentially the same as for RSI.

For corrosion control, condenser water pH should be maintained between 4 and 10, as shown in Figure 13.1. In most cooling tower water treatment programs,

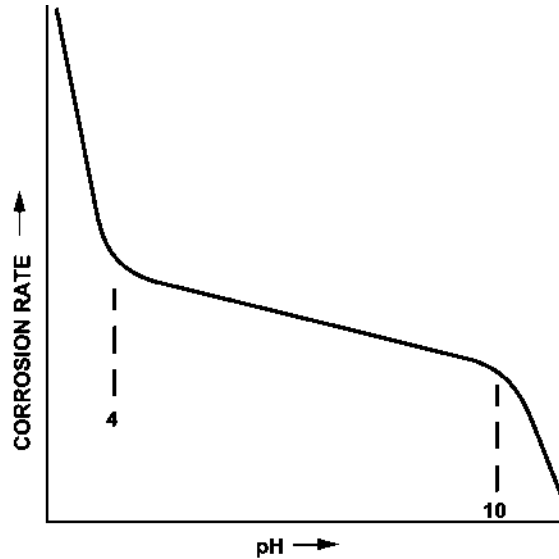


FIGURE 13.1. Corrosion rate as a function of water pH. (Courtesy of BetzDearborn, Inc., Trevose, Pennsylvania.)

the desirable range for pH is between 8 and 9 in order to hold water alkalinity to a reasonable level (400 ppm or less). However, in metal towers, a pH of 7.0–8.0 is preferred to help prevent white rust corrosion (see Sec. 13.2.2). Therefore, at least for most metal cooling towers, the ideal pH range is 7.5–8.5.

Water hardness and alkalinity is a function of the hardness and alkalinity of make-up water, the amount of evaporation and drift loss from the cooling tower operation, and the blowdown proposed to yield the desirable pH to prevent both deposition and corrosion. The term *cycles of concentration* defines the ratio of the desired concentration of dissolved solids in the condenser water to the concentration of dissolved solids in the make-up water, as follows:

$$\begin{aligned} &\text{Cycles (of Concentration)} \\ &= \text{Dissolved Solids (ppm) in Blowdown} / \\ &\quad \text{Dissolved Solids (ppm) in Make-up} \end{aligned}$$

This relation can be express in terms of water flow by Eq. (13.6).

$$\text{Cycles (of Concentration)} = \text{MU/BD} \tag{13.6}$$

where MU is the total make-up water flow, which is the sum of evaporation and blowdown, gpm, and BD is the blowdown flow, gpm.

Since the amount of evaporation, E , is easily computed as 0.1% of the condenser water flow rate per degree of range, MU in Eq. (13.6) can be replaced with the value $(E + BD)$. Equation (13.6) can then be rearranged to yield Eq. (13.7):

$$BD = E / (\text{Cycles} - 1) \quad (13.7)$$

Thus, after the number of cycles is determined based on the make-up and desired condenser water (blowdown) concentration of dissolved solids, the actual blowdown requirement can be calculated from Eq. (13.6).

Since drift water loss is not included in these calculations, the actual required BD flow can be reduced by the amount of drift loss from the tower.

There are two ways of controlling blowdown in an HVAC cooling tower system:

1. Constant blowdown with manual adjustment based on periodic water hardness analysis is the simplest method. However, since the amount of blowdown is constant, the loss in water and water treatment chemicals is high and this really represents the most expensive approach.
2. Controlled blowdown is based on continuous monitoring of the water hardness as indicated by its conductivity. Automatic control minimizes the waste of water and water treatment chemicals and is the preferred method, as described in Section 13.4.

Table 13.3 summarizes the water flows associated with a cooling tower for various cycles of concentration (based on 3.0 gpm/ton flow). From Table 13.3, it is clear that the amount of make-up water is reduced significantly as the number

TABLE 13.3. Make-Up Water Requirement as Function of Cycles

Cycles	Evaporation (gpm/ton)	Blowdown (gpm/ton)	Make-up (gpm/ton)	% Make-up
2	0.0300	0.0300	0.0600	100
3	0.0300	0.0150	0.0450	75
4	0.0300	0.0100	0.0400	67
5	0.0300	0.0075	0.0375	63
6	0.0300	0.0060	0.0360	60
10	0.0300	0.0033	0.0333	55
15	0.0300	0.0023	0.0323	54
20	0.0300	0.0015	0.0315	53

of cycles is increased from 2 to 6. However, there is only a further 5% reduction as the cycles are increased from 6 to 10, and only a further 2% reduction as cycles are increased to 20. Therefore, in most cooling tower applications, cycles of concentration are maintained between 5 and 10 (as indicated by the LSI, RSI, and/or PSI) and deposition inhibitors are added as necessary. While lower cycles represent loss of more water and treatment chemicals, the amount of treatment chemicals required tends to go down with cycles, and 5–10 cycles usually represent a good balance point.

Reduction of hardness by blowdown or even by water softening pretreatment may not eliminate the potential for deposition in the condenser water system. In these cases, chemical treatment, i.e., the addition of deposition inhibitors to the water system, becomes necessary.

When a dissolved salt precipitates and deposits on the wetted metal surfaces of the condenser water system, it forms a crystal growth that attaches itself to metal surfaces as it comes out of solution. The most common scale inhibitors used in condenser water systems are *posphonates*, which are organic phosphate compounds, such as HEDP, which function by adsorption on the crystals as they form, preventing them from attaching to metal. Thus, these crystals precipitate out of solution, usually in the tower basin.

13.2. CORROSION CONTROL

13.2.1. Galvanic Corrosion

Metal corrosion occurs as a result of *galvanic action* at a negatively charged “pole” or site on the metal surface. Both *anodes*, negatively charged sites, and *cathodes*, positively charged sites, can be created on the metal due to impurities in the metal, localized stress, metal grain size or composition differences, or even scratches on the metal surface. Due to the differences in charges, there is an electrical potential between the anode and cathode and an electrical current (electrons) flows from anodes to cathodes, using the surrounding water as a conductor or *electrolyte*, as shown in Figure 13.2.

For steel, the anodic reaction is for the iron to give off two free electrons, becoming positively charged. This positively charged iron then combines two hydroxyl radicals from the water to form ferrous hydroxide, which combines further with the water to form ferric hydroxide that, when dehydrated, is iron oxide or rust. At cathodes, the electrons given off at the anode combine with water to yield hydroxyl radicals, to balance the reactions.

Corrosion, then is the loss of metal; it literally “dissolves.” Corrosion can exhibit two characteristics depending on the underlying reason for the anodic and cathodic sites. *General corrosion* is wide spread and is caused, usually, by impurities in the metal or characteristics of the metal or its environment that results in an overall fouling of the metal surface. *Localized corrosion* results,

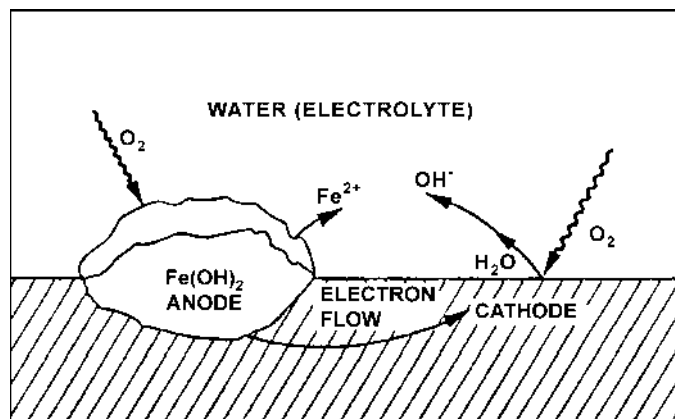


FIGURE 13.2. Typical steel corrosion chemistry. (Courtesy of BetzDearborn, Inc., Trevose, Pennsylvania.)

mostly, from scratches, stress, or localized environment and the most common reason for “metal failure.”

If dissimilar metals with different electrical potentials are used in a condenser water system, galvanic corrosion is enhanced and the metals simply corrode faster, particularly at and near the point(s) of contact between the metals.

The first step in corrosion control is to minimize the contact between water and mild steel materials. All primary wetted surfaces—wet decks for induced draft towers and basins—should be constructed of stainless steel. This typically increases tower costs by only about 15% and is generally a worthwhile investment. Use plastics or fiberglass for the tower casing, wet deck covers, intake louvers, drift eliminators, and fill. Finally, if mild steel is used for the tower structural frame, it should be galvanized and, as discussed in Sec. 13.2.2, coated with an epoxy or polymer final protective coating.

However, the piping in most condenser water systems will be steel and must be protected from corrosion. This is accomplished by using one or more treatment programs, as follows.

Passivating (Anodic) Inhibitors: These chemicals form a protective oxide film on the metal surface which is not only tough, but, when damaged, quickly repairs itself. Typical chemicals that act as passivating inhibitors include molybdate, polyphosphates, and orthophosphate. These chemicals are oxidizers that promote passivation by increasing the electrical potential of iron. The drawback to the use of molybdate is its expense, and it is used only when blowdown levels are kept as low as

possible. *Othophosphates should not be used in condenser water systems containing stainless steel since it will make the metal brittle over time.*

Precipitating Inhibitors: At cathodic sites, the localized pH at the site is increased due to the higher concentration of hydroxide ions that are being produced. Precipitating inhibitors form complexes that are insoluble at the higher pH and, thus, precipitate out of the water. Zinc is a good precipitating inhibitor. Molybdate will also act as a precipitating inhibitor and, thus, can serve as a corrosion inhibitor using two mechanisms.

Adsorption Inhibitors: These are organic compounds containing nitrogen, such as amines, or sulfur or hydroxyl groups. Due to the shape, orientation, and electrical charge of the molecule, they will attach to the surface of the metal, preventing corrosion. Their drawback is that they form thick, oily surface films that reduce heat transfer capability.

Each program is designed for particular condenser water pH range and water chemistry, as summarized in Table 13.4.

To protect copper in heat exchanger tubes and piping from corrosion, aromatic triazoles, such as benzotriazole (BZT) and tolyltriazone (TTA), are used in most condenser water treatment systems. These compounds bond with the cuprous oxide on the metal surface and protect it.

13.2.2. White Rust

Since the late 1970s, there has been a significant increase in the use of galvanized steel cooling towers, particularly in the HVAC market. With the advent of new cooling tower water treatment polymers and corrosion inhibitors, most condenser water treatment programs now utilize little or no acid addition, and operating pH levels have increased from 6.5–7.5 to as high as 9.5 (with the new alkaline polymer approach). As the technology of the water treatment industry has changed, the corrosion of galvanized steel has now become a major concern.

The term *white rust* refers to the premature, rapid loss of galvanized coating on cooling tower metal surfaces. White rust is evidenced by a white, waxy, nonprotective zinc corrosion deposit on wetted galvanized surfaces. This rapid

TABLE 13.4. Water pH and Chemistry for Corrosion Programs

Program	Water pH and chemistry
Zinc	7.5–8.5
Molybdate or molybdate/zinc	7.5–9.5
Orthophosphate	7.5–8.5, with a phosphate deposition inhibitor
Organic adsorption	7.5–9.5, with 300–500 ppm alkalinity

loss of galvanizing results in the corrosion of the underlying steel and, instead of tower systems that will last 20–25 years, equipment will have drastically shortened life spans.

Many believe that the change to the dry kettle method of galvanizing, with continuous sheet steel (see Chap. 10), has had an effect on the increased formation of white rust. Initial research has shown that the levels of aluminum and lead in the galvanizing have changed. With the wet kettle method, lead levels were 0.60–1.0% and aluminum levels were 0.005%. Levels of lead have dropped to 0.05% and levels of aluminum have increased to 0.40% since going to the continuous sheet galvanizing. This increase in aluminum and decrease in lead is believed to help increase the brightness of the metal surfaces, making a better-looking product. The higher aluminum percentage is also necessary for better bonding of the zinc coating to the steel.

The cooling tower manufacturers do not believe that changes in the galvanizing process or in the lead and aluminum levels deposited are responsible for the increase of white rust. The industry has stated that aluminum levels have not changed and that the galvanized coating is actually more than twice as thick (2.35 oz of zinc per ft² of steel sheet) as they were 20 years ago.

However, it can be documented that cooling water programs operated with a pH range of 8.0–8.5 for many years without having white rust problems. It can also be documented that new towers added to existing systems, using the same make-up water, chemical treatment, and controls have developed white rust, while the original units have not. Therefore, white rust does not appear to be a water quality and/or water treatment problem.

So while the argument continues, and based on current information, it is well established that white rust may form if the following conditions exist:

1. The galvanized coating is not properly “passivated” when the tower is placed in service. (Passivation is a process that allows the zinc coating to develop a natural nonporous surface of basic zinc carbonate. This chemical barrier prevents rapid corrosion of the zinc coating from the environment, as well as from normal cooling tower operation. The basic zinc carbonate barrier will form on galvanized surfaces within 8 weeks of tower operation with water of neutral pH (6.5–8.0), calcium hardness of 100–300 ppm, and alkalinity of 100–300 ppm).
2. Condenser water is maintained at pH above 8.0.
3. High condenser water alkalinity (above 300 ppm).
4. Low condenser water calcium hardness level (below 100 ppm).
5. The lack of phosphate-based corrosion inhibitor in the condenser water treatment program.

For most galvanized metal HVAC cooling towers, white rust will occur if not prevented by the following steps:

1. Provide a secondary barrier coating on all wetted surfaces, such as epoxy or polymer finish for a new tower or coaltar (bitumen) on an existing tower. An even better approach is to specify new towers to have wetted surfaces, such as basins and wet decks, to be constructed of stainless steel. This option is normally available for only a 10–20% cost increase.
2. Run the cooling water treatment program at a pH between 7.0 and 8.0, which may require pH control.
3. Make sure the galvanized tower is properly passivated upon system start-up. Where white rust has occurred, the metal can be “re-passivated” by treating the surface with a 5% sodium dichromate in 0.1% sulfuric acid, brushing with a stiff wire brush for at least 30 sec, then rinsing thoroughly.
4. Incorporate a phosphate-based product into the water treatment program, along proper dispersants.

13.3. BIOLOGICAL FOULING CONTROL

13.3.1. Biological Fouling

Biological fouling results from bacteria, fungi, zooplankton, and phytoplankton or algae introduced through make-up water or filtered from the air passing through an HVAC cooling tower. “Fouling” results when these microorganisms grow in open systems rich in oxygen (an aerobic process) and form slime on the surfaces of the tower, piping, and heat transfer surfaces of the condenser water system. Slime is an aggregate of both biological and nonbiological materials. The biological component, called the *biofilm*, consists of microbial cells and their byproducts. The nonbiological components consist of organic and/or inorganic debris in the water that has become adsorbed or imbedded in the biofilm layer.

The impact of biological fouling is twofold: the slime acts as an insulator and reduces heat transfer efficiency in the system, and microbial activity within the slime can accelerate corrosion by creating a localized oxygen-rich environment that accelerates oxidation.

A very special case of biological fouling in cooling towers is the bacteria *Legionella*, which is discussed in Sec. 13.3.2.

The number one method of controlling biological fouling is to keep cooling towers clean. At least twice during the cooling season, the tower should be drained, scrub cleaned, and allowed to fully dry before refilling. Then, the use of chemical treatment will complete the control chore.

There are two kinds of antimicrobial chemicals or *biocides* used in cooling tower water treatment programs to control biological fouling: oxidizing and nonoxidizing.

Oxidizing chemicals include chlorine, bromine, and ozone that *oxidize* or accept electrons from other chemical compounds. Used as antimicrobials, these chemicals react directly with the microbes and degrade cellular structure and/or deactivate internal enzyme systems. They penetrate the cell wall and disrupt the cell metabolic system to “kill” it. (**Warning!** *Oxidizing chemicals, particularly chlorine, can react with steel, including stainless steel, and cause rapid corrosion. To prevent this, concentrations of these chemicals must be kept low, ideally to less than 0.7 ppm. Oxidizing chemicals must be introduced into the condenser water system in such a way to be rapidly dispersed to prevent localized high concentrations.*)

Nonoxidizing antimicrobials attack cells and damage the cell membrane or the biochemical production or use of energy by the cell, resulting in its death, and are sometimes referred to as “surface-active” biocides. Typical nonoxidizing biocides include isothiazolines, gluteraldehyde, MBT, and polyquat.

Microbials in condenser water systems can become resistant to a single method of attack, or some microbials may be more or less immune to one type of attack. Therefore, it is recommended that both types of treatment chemicals be used (oxidizing and nonoxidizing), either blended together or in alternating treatment patterns, as indicated by periodic water testing results. The key to a successful biological treatment program is maintaining adequate chemical treatment levels at all times via continuous feed of antimicrobials into the condenser water system.

13.3.2. Legionella Control

In 1976, 34 attendees at an America Legion Convention in Philadelphia died from a pneumonia-like disease that was later traced to the then-unknown bacteria that we now call *Legionella*. Since this initial outbreak (which was really preceded by earlier events in Austin, MN in 1957 and Washington, DC in 1964), the recognition of *Legionella* as a serious problem has grown significantly. According to the U.S. Centers for Disease Control (CDC), Legionnaires’ Disease infects approximately 25,000 people in the United States each year and 10–15% of these cases are typically fatal. *This equates to 3000–7000 deaths attributable each year to Legionella.*

Legionella is a bacteria that is common in surface waters, including lakes, rivers, etc. The bacteria survive routine water treatment and low concentrations are introduced into most potable water supplies. *Legionella* thrives in water temperatures between 68 and 122°F, with optimal growth occurring between 95 and 115°F. Low pH and high levels of aquatic growth (microbiota, amoebae, algal

slime, etc.) enhance bacteria growth. Water temperatures above 135–140°F kill the bacteria.

At these temperatures, the ideal habitats for *Legionella* include cooling tower and evaporative condenser systems, where temperatures typically range from 70 to 100°F. Other potential breeding grounds for *Legionella* include domestic hot water systems in schools and hospitals, humidifiers, spas or whirlpools, and even vegetable misters in supermarkets.

The major mechanism for infection by *Legionella* is via inhalation of aerosolized water droplets or particles containing the bacteria. Cooling tower or evaporative condenser sprays introduce aerosolized water droplets and, therefore, represent prime mechanisms for infecting humans. There is no evidence that drinking water with the bacteria in it will cause disease, nor can the disease be passed by human-to-human contact.

There are two types of disease caused by *Legionella*: “Legionnaires’ Disease” is a severe form of pneumonia, while “Pontiac Fever” is a nonfatal flu-like illness. Legionnaires’ Disease symptoms can vary from a cough and low fever to rapidly progressive pneumonia, coma, and death. Symptoms occur typically within 3–9 days after exposure.

To monitor and control *Legionella*, the following steps are recommended:

1. Test for *Legionella* in cooling tower water. While there is an academic debate over the cost-vs.-benefit of routinely testing for *Legionella*, it is dumb (from both an ethical and a liability point of view) to ignore any potentially life-threatening condition in a facility. Testing must be specific for *Legionella*: “total bacteria” tests promoted by some water treatment companies are inadequate since there is no correlation between total bacteria and *Legionella* concentrations.
2. If *Legionella* is found, reduce or eliminate the bacteria concentration. Cooling towers (and evaporative condensers) can be decontaminated by slug chlorination with 50 ppm of free residual chlorine, along with a dispersant. Then maintain 10 ppm of free residual chlorine for a least 24 hr, while maintaining the water pH at 7.5–8.0. Finally, drain the system and repeat the process.
3. Cooling tower systems should be drained and flushed twice each year. All surfaces should be cleaned and allowed to air dry before reuse. Continuous-feed water treatment systems for biocides are required to maintain consistent concentration levels.
4. Keep up with the latest information on *Legionella*. ASHRAE has published Guideline 12-2000, *Minimizing the Risk of Legionellosis Associated with Building Water Systems*, and CTI has also published a guideline specifically addressing cooling towers.

13.3.3. Microbiologically Induced Corrosion (MIC)

MIC is caused by sulfate-reducing bacteria (SRB) in the water and is usually evidenced by reddish or yellowish nodules on metal surfaces. When these nodules are broken, black corrosion by-products are exposed and a bright silver pit is left in the metal. A “rotten egg” smell when the nodule is broken is also evidence of SRB corrosion.

SRBs obtain their energy from the anaerobic reduction of sulfates that are available in most water. The bacteria contains an enzyme that enables it to use hydrogen generated at a cathodic site to reduce sulfate to hydrogen sulfate and act like a cathodic “depolarizing agent.” *Iron corrosion by this process is very rapid and, unlike rusting, is not self-limiting.*

Once SRBs begin to grow in a system, they are very difficult to eliminate. Thus, a *preventative program* is far more effective than a clean-up program:

1. Keep the system clean through sidestream filtration and regular cleaning.
2. Prevent contamination by oils and/or grease. Even very small amounts can cause problems.
3. Eliminate potential bacteria sources (such as bathroom and kitchen vents, diesel exhaust, etc.) near cooling towers.
4. Run the condenser water pump as much as possible. Do not allow stagnant conditions to exist.

The condenser water system should be regularly tested for SRBs in accordance with ASTM Standard D4412-84 (1997) *Standard Test Methods for Sulfate-Reducing Bacteria in Water and Water-Formed Deposits*. Normally, control of SRBs can be accomplished with the housekeeping measures outlined above, coupled with the use of an oxidizing antimicrobial. *However, if SRBs do become established in the system, biocides are no longer effective and a special clean-out program must be designed for each system.*

13.4. WATER TREATMENT CONTROL SYSTEMS

An “automatic” condenser water treatment control system must control four elements:

1. Amount of blowdown
2. Addition of deposition (scale) inhibitor
3. Addition of corrosion inhibitor
4. Addition of antimicrobials (usually two of which are required)

Figure 13.3 illustrates a typical cooling tower water treatment system and its components.

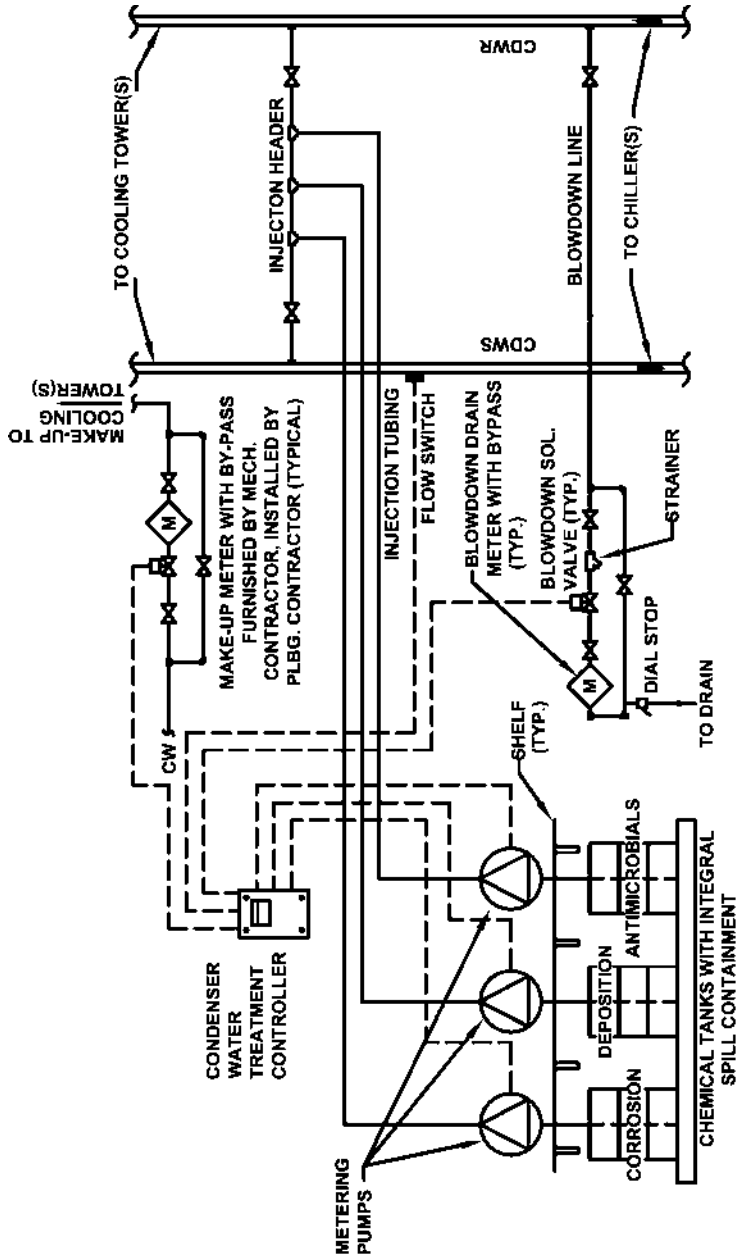


FIGURE 13.3. Typical automatic condenser water treatment control system schematic.

The amount (cycles) of blowdown is controlled by monitoring and maintaining a specific conductivity setpoint for the condenser water. Conductivity in water is a function of the amount of dissolved solids in the water, since the dissociated salts serve as an electrolyte. Therefore, conductivity can be measured and a desirable setpoint established to maintain the desired amount of dissolved solids.

Blowdown is initiated by opening a blowdown solenoid valve on the condenser water return line (water returning to the tower). Blowdown can be controlled by “continuous bleed” that modulates the control valve and amount of blowdown in direct proportion to the level of conductivity or by “intermittent bleed” by opening and closing a two-position valve to maintain conductivity within established high and low limits.

The injection of deposition and corrosion inhibitors and dispersants are fed in proportion to the make-up water or blowdown water flow rate, measured by flow meters in both flow streams, by modulating metering pump speeds.

Antimicrobials are fed, typically, on the basis of a constant rate of injection established from periodic water testing. The two types of antimicrobials (oxidizing and nonoxidizing) can be alternately fed on a fixed time schedule, feed continuously together, or one type can be fed continuously and the other added manually to “shock” the system.

13.5. ALTERNATIVE WATER TREATMENT METHODS

13.5.1. Sidestream Filtration

HVAC cooling towers are excellent “air washers.” Pollen, dust, microbes, leaves, and other debris in the air are readily trapped and removed by the water and deposited in the basin to form “sludge,” which can foul heat transfer surfaces. In the majority of cases, regular basin cleaning will control the problem, but in many urban and/or industrial areas, the amount of sludge formed during normal tower operation may be so great that specific control measures must be installed.

The most common general fouling control method is the use of *side-steam filtration*. Here, a portion of the condenser water flow is diverted through a filter for removal of dirt and suspended solids. Typically, filters are sized so that the entire water volume is filtered each hour. Thus, it is necessary to determine the total system water volume contained in the tower basin and wet deck, condenser water piping, condenser(s), etc., and divide that volume, in gallons, by 60 min to establish the required filter flow rate, in gpm.

The most common (and economical) type of sidestream filter is the sand filter with backwash, much as that used for swimming pool applications. These filters will remove suspended solids with 50 μm and larger particle size.

13.5.2. Ozone Treatment

Ozone is a condenser water antimicrobial that eliminates the need for chemical treatment for microbiological fouling.

Ozone (O_3) is an unstable form of oxygen (O_2) that has a relatively short half-life, usually less than 10 min. Ozone is a powerful biocide and virus deactivant and will oxidize many organic and inorganic compounds.

When reacting with another molecule, the ozone molecule is destroyed, producing carbon dioxide, water, and a partially oxidized form of the original reactant molecule. Any residual ozone will decompose and recombine as oxygen, producing no toxic or carcinogenic byproducts.

Ozone can be produced by UV radiation or by high voltage corona discharge. However, the UV radiation method is very inefficient and the high voltage corona discharge method is normally applied. This is accomplished by passing a high voltage AC current (6–20 kV) across a dielectric gap of 10–15 mm, through which dry, compressed air is injected. As the compressed air passes through the voltage field, the oxygen molecules dissociate and form single oxygen atoms, some of which combine to form ozone (about 1–4%). The compressed air and ozone mixture is then injected into the condenser water, typically at the tower basin.

Filtration downstream of the ozone injection point is required since the ozone generation process will produce mineral deposits that must be removed to prevent fouling. As the cycles of concentration increase, calcium and carbonate ions in solution will precipitate out as calcium carbonate and settle in low water velocity areas of the system, typically in the tower basin.

Ozone treatment cannot be used with water with excessive hardness (500 ppm or higher calcium carbonate) or with sulfates greater than 100 ppm. Also, because of its short life, ozone should not be used in large systems or systems that have long piping runs that would require long residence times to get complete coverage. Water temperatures above 110°F eliminate the effectiveness of ozone treatment.

Ozone exposure for workers is also a consideration. USOSHA has established an exposure limit of 0.1 ppm in the air over an 8-hr exposure period. Monitoring of ozone concentration is required if towers are located at ground level, adjacent to personnel.

The potential benefits from ozone treatment are twofold:

1. Effective antimicrobial treatment without the use of expensive chemicals
2. Reduced blowdown since the ozone generation process precipitates out dissolved solids

13.5.3. UV Treatment

Ultraviolet light can be used in lieu of chemicals as antimicrobial treatment for condenser water to prevent microbiological fouling. Typically, a portion of the condenser water flow (3.5–10%) is diverted through the UV treatment equipment.

UV systems are offered in several configurations. The UV lamps that are used have two different wavelengths, 185 and 254 nm. For cooling tower applications, the 254 nm lamp has been found to be the most effective. This wavelength is effective for germicidal applications and does not break down the other chemicals used for deposition and corrosion control.

Aside from wavelength, lamp intensity is important. Lamps are typically available at both 39 and 65 W. Based on the system size and the flow rate, the smallest number of lamps will result in the lowest maintenance (replacement) costs.

Each UV lamp is installed with a quartz sleeve, which must include a “wiper system” to keep the sleeve clean so that the maximum output of UV light is provided.

The UV system is typically piped in a “side stream” arrangement on the condenser water pump discharge. A filter must be installed ahead of the UV system to minimize the fouling of the lamp quartz tubes. Filtration can be cartridge, bag, sand, or cleanable mesh type, but they must be rated to stop particles 50 μm and larger in size.

13.5.4. Magnetic Treatment

Every few years, salesmen make the rounds to tower owners and designers and talk about the “wonders” of magnetic treatment for deposition control in condenser water systems. Their product consists of strap-on magnets installed around condenser water piping.

Promoters of these devices claim that dissolved solids, which dissociate into charged ionic salts in solution, can be easily removed by allowing them to pass through a magnetic field. *Tests by independent sources have proved conclusively that magnetic treatment has no effect on deposition rates in condenser water systems.* Magnetic treatment is simply a scam and, when encountered, should be immediately rejected as a viable water treatment method.

13.6. TREATMENT FOR WOODEN TOWERS

For very large cooling towers, e.g., 1000–1500 tons and larger, wood is still widely used for cooling towers. Wood is composed of three major elements:

Cellulose, which forms long fibers in wood and gives it its strength
Lignin, the soft material that acts as a cementing agent for the cellulose
Extractives, the natural compounds that enable wood to resist decay.

Wood deterioration can result from chemical attack, biological attack, and/or physical decay due to (elevated) temperature degradation or rupture of wood cells by crystallization of dissolved solids in the condenser water. Physical decay is relatively uncommon in HVAC applications.

Chemical attack commonly results in *delignification* of the wood, resulting in wood that has a white or bleached appearance and a fibrillated surface. Delignification is usually caused by oxidizing agents and alkaline materials and is particularly severe when high chlorine residuals (more than 1 ppm free chlorine) and high alkalinity (pH of 8 or higher) occur simultaneously.

The biological organisms that attack cooling tower wood are those that use cellulose as a source of carbon for growth. These organisms degrade the cellulose by secreting enzymes that convert the cellulose into compounds they can then absorb as food. This type of attack deletes the cellulose and leaves a residue of lignin. The wood appears dark, loses much of its strength, and becomes soft and spongy.

Biological attack is of two basic types: surface rot and internal decay. Surface rot is easily detected and can be repaired, but internal decay, usually found in the plenum area, cell partitions, decks, fan housing, supports, and other areas that are not continuously flooded, is more difficult to detect simply because the exterior of the wood will display little or no sign of the rot.

Water treatment and preventative maintenance is the only way to prevent wood deterioration:

1. For flooded areas of the tower, use nonoxidizing antimicrobials to control slime and prevent biological attack.
2. Internal decay is the most common problem for nonflooded areas of a tower and these areas should be thoroughly inspected at least twice each year. Test for soundness with a blunt probe (long, thin screwdriver) and, when suspected, a sample of wood should be examined microscopically to detect internal microorganisms. *Any infected wood should be replaced immediately* with pretreated wood to prevent the spread of the infection to healthy wood. (Periodic spraying with an antifungal treatment may be helpful in reducing biological attack, but it must be done very thoroughly and on a regular schedule, otherwise it is a waste of time and chemicals.)

13.7. CHEMICAL STORAGE AND SAFETY

13.7.1. Spill Control

Chemicals for water treatment are usually purchased in bulk and, thus, there is a potential for a chemical spill when the drums are moved or opened. To eliminate this potential, either of two measures may be used:

1. Purchase chemicals in double-wall containers that have integral spill containment. While more expensive than simple drums, these containers provide protection from internal rupture and spillage while filling or emptying. The drawback to them is that there is no protection from a puncture that penetrates both the outer and inner walls of the container.
2. Construct a “spill containment” reservoir for use with conventional single wall drums. This reservoir usually consists of a concrete curb enclosing the chemical storage area. The volume of containment must be greater than the single largest container and a “sump” or depressed area must be provided, with the floor sloped to it, for collection of any spilled liquid for pump-out. Grated flooring can be installed on top of the curb and the drums stored on it, or ramps can be installed on both sides of the curb and the drums sit on the floor inside the containment area.

13.7.2. Safety Showers and Eye Wash Stations

USOSHA Standard 29 CFR 191.151(c) requires eyewash and shower equipment for emergency use where the eyes or body of an employee may be exposed to injurious materials. *Typically, condenser water treatment chemicals would be considered to be potentially injurious.* This safety equipment must be designed, installed, tested, and maintained in accordance with ANSI Z358.1. This standard requires that eyewash and shower equipment be located based on the estimated time of travel of a person with compromised vision. Equipment must be in accessible locations that require no more than 10 sec to reach. Combination units (shower plus eyewash) must be designed and connected to the water system so that both units can be operated simultaneously by the same user. Flow is required within 1 sec of activation and stay-open valves are required so that the user is free to use his/her hands to remove clothing or hold the eyelids open.

ANSI Z358.1 mandates the delivery of *tepid* water—moderately warm or lukewarm—for 15 min at 20 gpm in emergency showers and 0.4 gpm in emergency eyewash units. The standard does not specifically define tepid, but the tepid range is generally considered to be 78–92°F, based somewhat on the normal surface temperature of the human eye. *There is no grandfathering provision in the standard; an existing cold water shower or eyewash is simply no longer compliant and must be changed.*

Tempering water for emergency showers and eyewash applications is a challenging problem. When selecting an automatic thermostatic mixing valve for a tepid emergency shower or eyewash system, consider the following:

1. Combination shower and eyewash units are frequently used. The shower has a high flow rate (about 20 gpm), while the eyewash has a

low flow rate (about 0.6 gpm). The mixing valves must be capable of both high and low flow control.

2. A “temperature spike” can occur when large, equal quantities of hot and cold water are mixed instantaneously, creating a sharp rise in the outlet temperature. In domestic water applications, the piping system has time to flatten a temperature spike. In an emergency, however, valves are typically installed very close to the fixture and this time delay is lost. The mixing valve must respond very quickly to flatten any temperature spike as it begins.
3. The majority of domestic water mixing valves are designed to restrict flow in the event of hot or cold water failure. However, at an emergency shower, flow reduction is unacceptable. In an emergency, cold water flow is better than no water flow (while in a domestic water situation that would be unacceptable).

14

Special Tower Considerations

14.1. BASIN AND OUTDOOR PIPING FREEZE PROTECTION

Except in northern climates, where towers are often drained and secured for the winter, towers will stay full of water and ready for use year-round. However, even in mild climates, there will be periods when the ambient temperature drops below 32°F and basin water freezing is probable.

To prevent that problem, basin heaters are normally installed. These heaters are most commonly electric resistance elements, but steam coils or steam ejectors can also be used.

The heat loss from a cooling tower basin, with 40°F water, can be estimated from the data provided by Table 14.1. Thus, a 12' wide by 20' long steel cooling tower basin with a 12" of water depth would have estimated heat losses for 20°F outdoor temperature computed as follows:

$$\begin{array}{ll} \text{Surface loss: } 12' \times 20' \times 80 \text{ Btu/hr sf} & = 19,200 \text{ Btu/hr} \\ \text{Sides loss: } 1' \times [(2 \times 12') + (2 \times 20')] \times 40 \text{ Btu/hr sf} & = 2560 \text{ Btu/hr} \\ \text{Bottom losses: } 12' \times 20' \times 40 \text{ Btu/hr sf} & = \underline{9600 \text{ Btu/hr}} \\ \text{Total:} & = 31,360 \text{ Btu/hr} \end{array}$$

TABLE 14.1. Approximate Cooling Tower Basin Heat Loss

Outdoor air temperature (°F)	Approximate water surface heat loss (Btu/hr sf)	Heat loss basin sides and bottom (Btu/hr sf)	
		Steel or fiberglass	Concrete (8" thick)
30	50	20	15
20	80	40	25
10	110	60	35
0	130	80	50
-10	160	100	60
-20	185	120	70
-30	210	140	80

For an electric immersion heater, each kW produces 3413 Btu/hr. In this case, a 9 kW heater would be required to maintain the tower basin at approximately 40°F with a 20°F outdoor air temperature.

Electric heaters are typically used to maintain the basin water temperature above freezing, since they are relatively inexpensive. But, electric heat suffers from two problems: First, it is costly to operate and, second, since the heating is localized, poor mixing and over- or under-heating in different areas of the basin can result.

Steam injection heaters can be used if steam is available. These heaters are submerged in the basin and, when heating is required, a two-position automatic valve is opened and steam is injected through a venturi or nozzle that sets up a convective current in the water ensuring relatively good mixing. Steam coils, submerged in the basin water can also be used.

Outdoor condenser and make-up water piping must also be protected from freezing. Typically, this is accomplished by wrapping the pipe with electric heat tracing elements (though, again, steam tracing can be used) before the piping is insulated. For cooling tower piping applications, the criteria from Table 14.2 can be used to prevent pipe freezing. (In most of the southern United States, where outdoor winter design temperatures are 20°F or higher and there are no prolonged periods at these low temperatures, heat tracing can be safely eliminated for piping larger than 4".)

14.2. WATERSIDE ECONOMIZER CYCLE

Commonly, HVAC systems are designed to utilize an *airside economizer cycle* to provide "free" cooling when the outdoor temperature is at or below the required supply air temperature. However, there are a number of secondary system types in which the airside economizer cannot be applied, such as with fan coil units. In these cases, the *waterside economizer cycle* may have application.

TABLE 14.2. Electric Heat Tracing for Outdoor Piping

Pipe size (in.)	Watts/linear foot of piping
1/2	1.6
3/4	1.7
1	1.9
1-1/4	2.0
1-1/2	2.3
2	2.9
2-1/2	3.4
3	4.5
4	4.9
6	7.1
8 and larger	0.68/in. pipe diameter

This cycle utilizes a cooling tower to produce cold water when the ambient wet bulb temperature is 50°F or lower. At 50°F WB, a typical cooling tower will produce 40–50% of its design capacity at an approach of about 5°F. Thus, a 500-ton cooling tower will deliver approximately 250 tons of cooling with a 45°F supply water temperature at 50°F ambient wet bulb. But, in most comfort cooling applications, the need for dehumidification is reduced during the heating season and a 5–10°F increase in the chilled water supply temperature can be tolerated. Thus, the number of hours of available free cooling can be significantly increased.

Obviously, this cold water can be used to provide cooling without operating a water chiller. However, to separate the “dirty” tower water from the “clean” chilled water, a heat exchanger is used, at only a loss of 2–3°F in supply water temperature.

Two types of heat exchangers may be used for waterside economizer applications:

1. *Plate and frame heat exchangers*, often called simply “frame heat exchangers” and shown in Figure 14.1, consist of thin corrugated plates separated by rubber or neoprene gaskets and mounted in a rigid frame. The two water flows are arranged counter to each other on opposite sides of each plate. Close temperature approach, 1–2°F, is obtained by having a very large heat transfer area in a relatively small package.
2. *High efficiency shell and tube heat exchangers* provide high heat transfer area by (a) using a large number of small diameter enhanced surface tubes and (b) increasing the tube length with a U-shaped

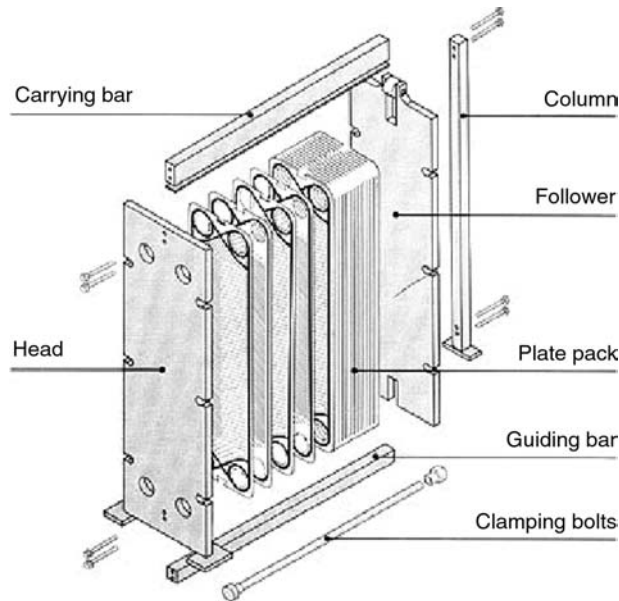


FIGURE 14.1. Typical plate and frame heat exchanger installation. (Courtesy of Alfa Laval Thermal, Inc., Richmond, Virginia.)

configuration. Figure 14.2 shows a typical high efficiency shell and tube heat exchanger. An approach of 2°F can be obtained with this type of heat exchanger.

Shell and tube heat exchangers have lower cost, less weight, and more versatile configurations than plate and frame heat exchangers. They are also easier to insulate. But, closer approach (higher efficiency) can be obtained with the plate and frame heat exchanger.

While the economizer can be applied to a single tower system, most energy codes require that it be an “indirect” system, shown in Figure 14.3, which allows the chiller and the economizer to operate concurrently. Since chillers normally will not operate at a 45°F condenser water supply temperature, bypass temperature control becomes critical and often fails. However, where multiple chillers and cooling towers are available, one tower can be isolated for economizer duty, leaving at least one other chiller and tower available to supplement the economizer cooling capacity, as shown in Figure 14.4.

The energy consumption by the waterside economizer for the pumps and cooling tower is only about 15–20% of the energy consumption required by mechanical cooling.

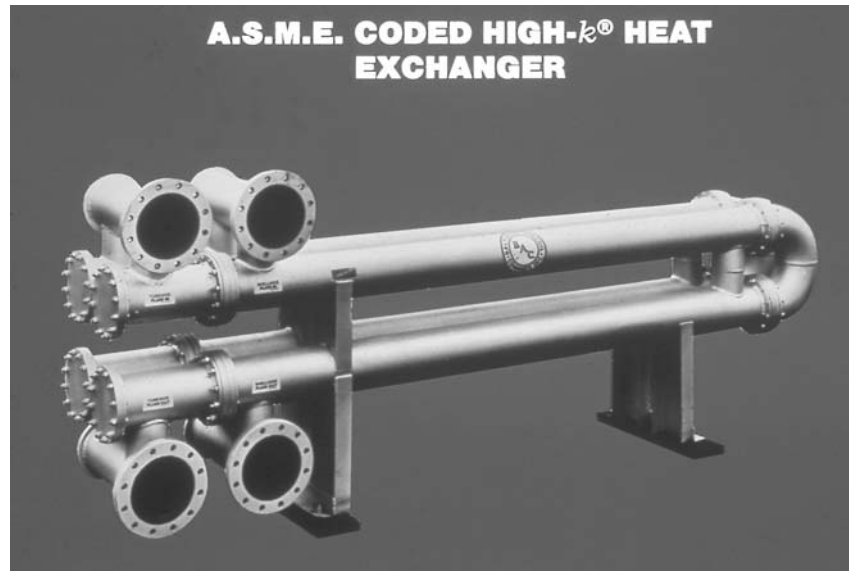


FIGURE 14.2. Typical shell and tube heat exchanger. (Courtesy of the Baltimore Aircoil Company, Baltimore, Maryland.)

14.3. NOISE AND VIBRATION

Noise is simply objectionable sound and “community noise” and “noise pollution” are terms applied to sound generated on one property, but deemed objectionable by listeners on adjacent properties. Along with trucks and cars, trains, the neighbor’s stereo, and leaf blowers, cooling towers are often the source of community noise problems.

In 1972, the U.S. Congress passed the Noise Control Act and authorized the EPA to begin a process of establishing emission standards for outdoor noise sources. However, funding for this effort was deleted in 1982 and, for all practical purposes, community noise control efforts have been delegated to the state and local governments.

Numerous states and municipalities have *property line sound limits* that must be met. Under this type of regulation, maximum sound pressure levels (dBA, see Sec. 6.1), measured at adjacent property lines, are established. Typical maximum allowable sound pressure values are 50–60 dBA in residential areas and 60–70 dBA in industrial areas.

More stringent standards have been developed by the World Health Organization (WHO). The WHO standards are being promoted by numerous antinoise groups and their adoption by at least some states and municipalities is

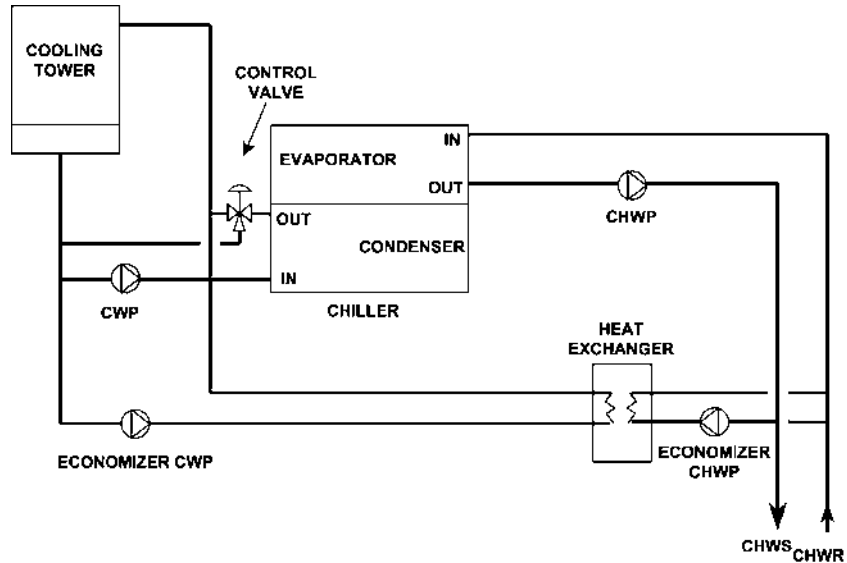


FIGURE 14.3. Piping schematic for waterside economizer with a single chiller and cooling tower.

considered but a matter of time. WHO makes the case that the effect on the health and safety of the listener by a combination of noise “events” is related to the combined sound energy of those events. Thus, they introduce the term “ $LA_{eq,T}$ ” to define A-scale sound pressure level (dBA) averaged over a time period T . As shown in Table 14.3, these standards establish maximum $LA_{eq,T}$ limits at or within various types of occupancies or environments.

Typical cooling tower noise emission is in the range of 65–85 dBA measured at (typically) 5 ft from the tower, and each tower manufacturer can provide specific sound emission data for the required operating conditions.

For most propeller fan towers, the manufacturers have developed “low noise” options, such as adding extra fan blades so the fan can be operated at lower speed, etc. Centrifugal fans are quieter than propeller fans and may be a good option if community noise is expected to be a problem.

There are two caveats relative to manufacturer-provided sound data:

1. The noise data provided is typically based on a single tower or tower cell. Where multiple towers or tower cells are utilized, the manufacturer must be queried for cumulative effect sound data. In the field, fan speeds on multiple towers or cells must be as nearly identical as possible to prevent annoying “out of phase” sound differences.

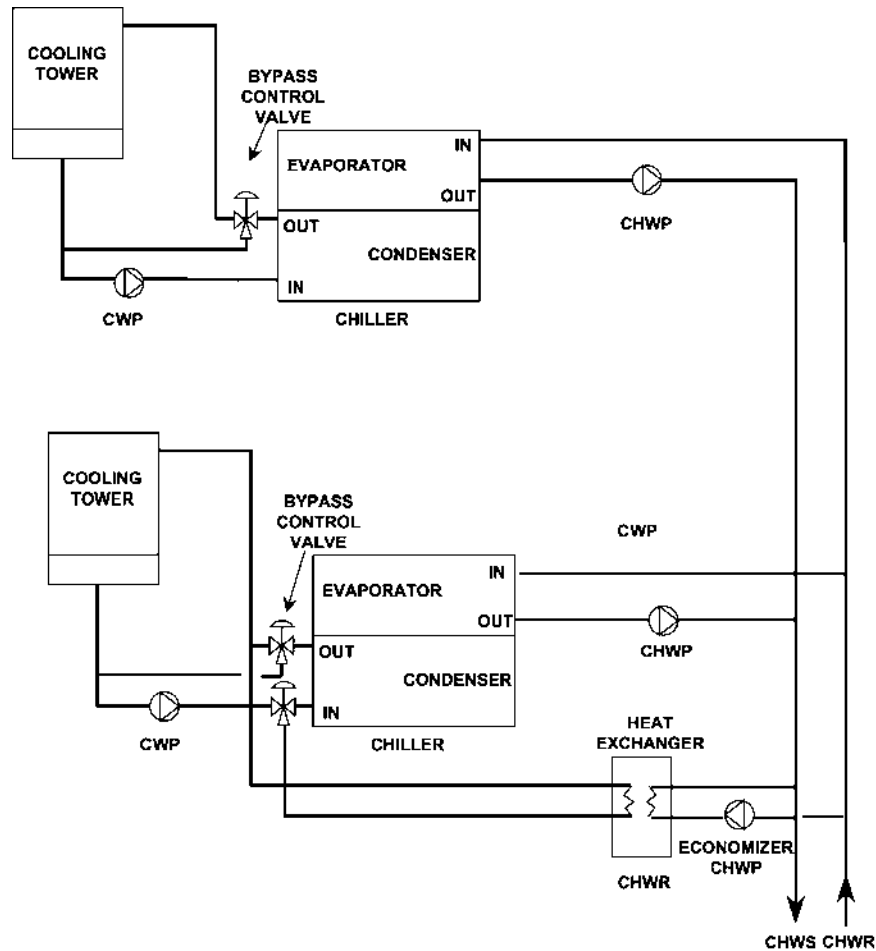


FIGURE 14.4. Piping schematic for waterside economizer with multiple chillers and cooling towers.

2. The noise emission from the tower may not be uniform in all directions. For crossflow towers, the inlet side(s) will be noisier than the enclosed side(s). The manufacturer data must define the tower orientation for each noise emission value.

The basic sources of cooling tower noise include the following:

1. Fans
2. Air movement and turbulence through the tower

TABLE 14.3. World Health Organization Community Noise Limit Guidelines

Environment	Critical health effect(s)	LAeq (dBA)	T (hr)
Outdoor living area	Serious annoyance	55	16
	Moderate annoyance	50	16
Dwelling (living areas, inside)	Speech intelligibility and moderate annoyance	35	16
Bedrooms (inside)	Sleep disturbance	30	8
Bedrooms (outside, window open)	Sleep disturbance	45	8
Schools (classrooms, inside)	Speech intelligibility, disturbance of information extraction, message communication	35	During class
Schools (playground, outdoors)	Annoyance	55	During play
Hospital (patient rooms, inside)	Sleep disturbance	30	8 (night) 16 (day/evenings)
Industrial, commercial, shopping, and traffic areas (inside and outside)	Hearing impairment	70	24
Outdoors in parkland and conservation areas	Disruption of tranquility	Minimize disruption	

- 3. Motor and/or drive
- 4. Structural or casing vibration

Fan noise is related to the fan design: Centrifugal fans are inherently quieter than axial flow fans. Axial fan noise can be reduced by (1) reducing the fan speed and/or (2) increasing the number of fan blades.

The tower location and orientation can have a pronounced effect on the sound condition. Always orient a quiet side of the tower toward any sound reflecting wall or side of a building or toward adjacent property. Locate towers at least 20 ft away from any sound reflecting surface.

Sound dissipates over distance. As shown in Table 14.4, the amount of sound attenuation varies with the multiples of distance from the point of sound measurement (distance from the rated noise measuring point). At a distance 10 times greater than the sound rating distance from the tower, approximately 20 dB attenuation is expected. Thus, a tower with a rated noise level of 86 dB at 5 ft

TABLE 14.4. Effect of Distance on Cooling Tower Sound Level

Multiple of sound rating distance	Approximate sound reduction (dB)
5 ×	13
10 ×	20
15 ×	24
20 ×	26
25 ×	29

from the tower will have an anticipated noise level of 65 dB at 50 ft from the tower. Note that the curve is not linear and an increase to 25 times the sound rating distance from the tower only reduces the sound level by approximately 29 dB.

To avoid a community noise problem, locate the tower as far from adjacent property lines as possible. Since HVAC cooling towers have sound levels of 65–85 + dBA, the WHO criteria requires that cooling towers not be located within 50–100 ft of property lines without taking additional attenuation measures:

1. Select/approve the quietest cooling tower possible for the application. Use centrifugal fans or select low rpm propeller fans for the application and/or take advantage of manufacturer options for reducing tower noise.
2. Orient a quiet side of the equipment toward any sound reflecting wall or side of a building and toward adjacent property. Locate cooling towers at least 20 ft away from any sound reflecting surface, no matter how oriented.
3. Reduce radiated noise with a solid wall sound barrier between the equipment and the adjacent property. However, take care not to create a tower performance problem.
4. Only as a last resort should *sound attenuators* on the tower inlet or outlet be utilized. These devices are expensive, seriously impact the performance of the tower (requiring, often, that a larger size be used), and create significant maintenance problems.

Cooling tower vibration results when fan balance and/or drive alignment is not correct. This is more often a problem with propeller fans and/or gear drives. Propeller fan blades, due to their relatively long length (large length-to-width ratio) tend to flex under air loading. Even if the blades are perfectly balanced by weight, dynamic balancing is required to eliminate unequal blade movement and resulting vibration. Shaft alignment into and out of gear drives is also critical to

avoid vibration. Also, gear drives must be operated at speeds high enough to avoid “gear chatter.”

Centrifugal fans, unless they have very long shafts, have less vibration potential because of their construction. However, many cooling towers using centrifugal fans will be constructed with two or more fan wheels on a common shaft, driven by a single motor. To prevent vibration, the shaft must be carefully aligned and supported by bearing blocks at each end and *between each fan wheel*. The shaft must be rigid enough to avoid deformation, and the resulting vibration, due to the fan wheel(s) weight.

All propeller fan and/or gear drive cooling towers, and towers with multiple fan wheels on a common shaft, should be equipped with a vibration cutout switch (see Chap. 12).

14.4. PLUME CONTROL

If HVAC cooling towers are operated during the winter, a significant and objectionable discharge *plume* can result. When warm air, at or near saturation conditions, leaving the cooling tower impacts with the cold ambient air, condensation occurs, resulting in a super-saturated air stream and visible “fog.” This fog, trapped in the moving discharge from the cooling tower, is distributed upward and outward to form the plume.

Uninformed observers often equate visible cooling tower plume with “smoke,” indicating a fire, or with “pollution.” In either case, 911 phone calls can result.

Generally, plume problems can be handled with education. People who are routinely around the tower simply become used to this harmless condition. Fire and police dispatchers should be informed that this condition is not a problem so they can handle public alarm accordingly.

In a small number of cases, cooling tower plume can become a more serious problem. Since it can return to ground level to form a vision hazard or, in very cold weather, cause ice to form on downwind surfaces and structures. If plume abatement does become necessary, there are two basic approaches that can be applied:

1. The tower can be equipped with *bypass heating* as shown in Figure 14.5. In this configuration, additional ambient airflow is induced into the tower discharge. Enough heat is added to this induced air to raise its temperature high enough to allow it to absorb more moisture and prevent condensation until after the discharge plume has dissipated.
2. The tower can be equipped with *reheat* coils in the discharge air as shown in Figure 14.6. These coils are sized to provide enough heat to offset the cooling effect of the ambient air on the plume and, thus, prevent condensation until after the discharge plume has dissipated.

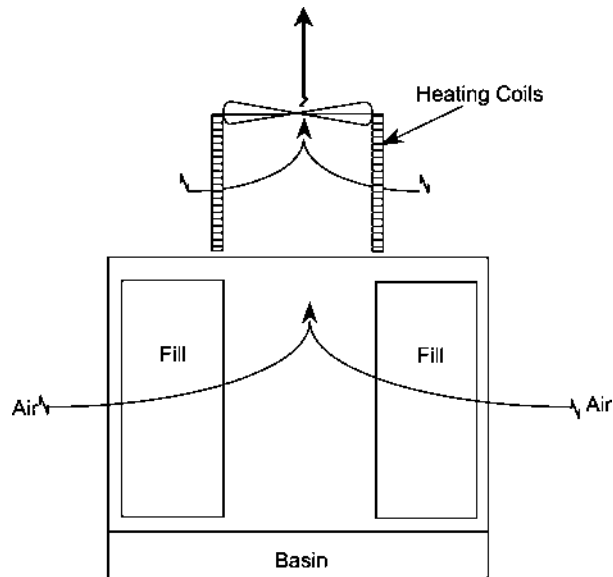


FIGURE 14.5. Tower arrangement for plume control via bypass air heating.

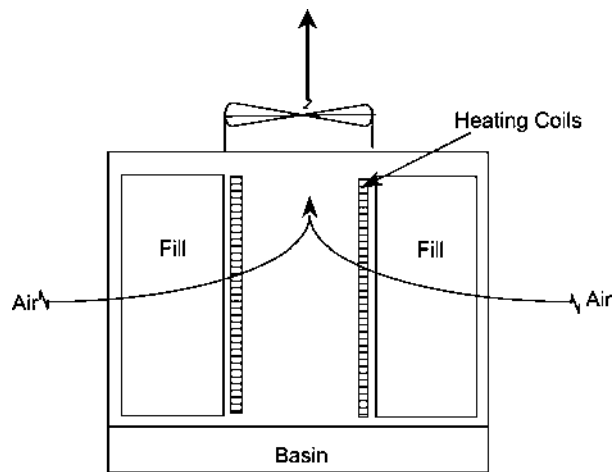


FIGURE 14.6. Tower arrangement for plume control via discharge air reheating.

Obviously, the need to introduce heating to the tower is expensive to install and to operate and should be used only as a last resort.

14.5. FIRE PROTECTION

The National Fire Protection Association (NFPA) Standard 214 defines “noncombustible” as any material that will not ignite, burn, support combustion, or release flammable vapors when subjected to fire or heat. When any HVAC cooling tower is constructed wholly or partly with materials that are not “noncombustible,” a fire protection (sprinkler) system is required by the NFPA standard. (See local codes for applicability of NFPA 214.)

Any of four types of sprinkler systems, applied and designed in accordance with NFPA Std. 13, may be used, as follows:

1. Counterflow towers may be protected with a wet-pipe system, a dry-pipe system, a preaction system, or a deluge system.
2. Crossflow towers must be protected with a deluge system.

The minimum required rate of water application must be in accordance with Table 14.5.

When the fan deck is combustible and a deluge system is applied, the underside of the deck must be protected with a minimum water application rate of 0.15 gpm/sf. With crossflow towers, when wet deck covers are constructed of combustible materials, protection under these covers, at the same rate as for the fan deck, is also required.

All sprinkler piping, fittings, hangers, braces, attachment hardware, etc., must be galvanized to reduce corrosion. Exposed pipe threads and bolts must also be protected against corrosion.

Obviously, freeze protection for the sprinkler system is of paramount importance. While a wet-pipe system is allowed by NFPA, it really has only very limited geographic application in the United States and is rarely used. The most common systems applied are the (closed head) dry pipe system, usually applied to smaller towers or where the water supply may be limited, and the (open head) deluge system.

TABLE 14.5. Fire Protection Water Flow Rate Requirements

Location	Rate (gpm/sf)
Under fan decks (including fan opening), counterflow tower	0.50
Under fan decks (including fan opening), crossflow tower	0.33
Over fill area, crossflow tower	0.50

Overall, the deluge system provides a higher degree of protection when there are adequate water supplies and this system has the advantage of minimizing the possibility of failure due to freezing.

15

Cooling Tower Operation and Maintenance

15.1. TOWER COMMISSIONING

When the cooling system's installation has been completed, it is necessary to start the cooling tower and place it in service. Condenser water system commissioning can be broken down into three basic elements, with numerous requirements associated with each element, outlined as follows:

A. Condenser water pump

1. Check pump installation, including mountings, vibration isolators and connectors, and piping specialties (valves, strainer, pressure gauges, thermometers, etc.).
2. Check pump shaft and coupling alignment.
3. Lubricate pump shaft bearings as required by the manufacturer.
4. Lubricate motor shaft bearings as required by the manufacturer.
5. Turn shaft by hand to make sure the pump and motor turn freely.
6. "Bump" the motor on and check for proper rotation direction.

B. Cooling tower

1. Clean all tower surfaces, flush and clean the wet deck and basin.
2. Clean the basin strainer.
3. Lubricate fan shaft bearings as required by the manufacturer.

4. Lubricate motor shaft bearings as required by the manufacturer.
5. Test and adjust belt drive (if installed).
 - a. Adjust belt(s) tension.
 - b. Check and adjust belt(s) alignment.
6. Test and adjust gear drive (if installed).
 - a. Fill oil reservoir.
 - b. Check shaft alignment.
 - c. Check couplings for bolt tightness, excess play, etc.
7. Turn shaft by hand to make sure fan and drive turn freely.
8. “Bump” motor(s) on and check fan(s) for correct rotation.
9. Run fan(s) for a short period and check for unusual noises and/or vibration. Verify that motor amps are in accordance with manufacturer’s data.
10. Confirm that the condenser water piping has been flushed and chemically cleaned.
11. Fill the basin and piping to the manufacturer’s recommended basin operating level.
12. Run condenser water pump for a short period.
 - a. Verify that pump motor amps are within motor nameplate rating.
 - b. Test the wet deck distribution, fill, and basin for proper water flow.
 - c. Check basin for vortexing.
13. Test basin freeze protection thermostat and heater.
14. For multi-cell installations:
 - a. Ensure that automatic isolation valves function properly.
 - b. Balance condenser water flow to and from each cell.
 - c. Balance equalizer line to maintain proper basin operating level in each cell.
15. Place tower fan and condenser water motor starters in “automatic” position.

C. Controls

1. Check that all temperature sensors are properly installed.
2. Test operation of bypass control valve and adjust for 70° rotation.
3. Check controller set point.
4. Test fan control relays for proper functioning.
5. Test VFD (if installed) for proper operation.
6. Test operation of vibration cutout switch.
7. Test operation of basin level controls, including high and low level alarms.
8. Place controls in operation.

D. Water treatment

1. Check that all pH and/or conductivity probes are properly installed.
2. Test operation of blowdown solenoid valve.
3. Place water treatment equipment in operation.

At this point, the condenser water system should operate and be controlled to maintain set-point temperature under its automatic controls. However, during the first 24 hr of operation, all aspects of condenser water pump, cooling tower, controls, and water treatment should be checked and evaluated frequently. Unusual noises or vibration, erratic performance or operation, or other problems (see Sec. 15.3) may require that the system be shutdown and repaired before being placed into fulltime service.

Once the tower has been in operation for several days and all start-up requirements have been met, test the tower for excess recirculation. This condition can be determined by measuring the ambient air wet bulb temperature and the wet bulb temperature entering the tower. An increase of more than about 1°F in the entering wet bulb over the ambient wet bulb indicates that excess discharge is re-entering the tower. This condition must then be corrected based on the parameters outlined in Sec. 11.2.

15.2. COOLING TOWER MAINTENANCE

Once the cooling tower system is placed into fulltime service, routine inspection and maintenance must be done to ensure proper tower operation and to obtain the expected service life of the equipment. The required maintenance can be broken into two areas: water treatment and mechanical maintenance.

15.2.1. Water Treatment Management

Water treatment requirements and programs to prevent corrosion, deposition, and biological fouling in condenser water systems have been addressed in Chapter 13. However, as a routine matter, the tower owner must ensure that this requirement is being met effectively by his water treatment contractor. To this end, the following procedure is recommended:

1. Require and evaluate regular and frequent reports by the water treatment contractor, first to ensure that regular water treatment is being done and, second, to “track” the various treatment parameters such as pH, TDS, chemical types, quantities used, etc.
2. At least twice each year, send a water sample to an independent laboratory for analysis and compare the results with the most recent monthly report from the water service contractor.

3. During shutdown periods, the maintenance staff should inspect the tower and as much piping as possible for scaling or fouling that is being inadequately addressed by the water treatment program.
4. Track chiller and tower performance on a routine basis to determine if the system is remaining free of deposition or fouling. The information shown in Figure 15.1 should be logged on a regular basis (at least once per day or once per shift) and, with the data from Figure 7.1, the relationships between load, temperature difference, and power input tracked. If the relationships between these values change appreciably, this could indicate chiller fouling, tower fouling, or other performance problems.

15.2.2. Mechanical Maintenance

Routine cooling tower mechanical inspection and maintenance falls into two categories: start-up and operating.

Date _____ Shift _____ Data Collected By _____

Outside Air Conditions

Time									
Dry Bulb Temperature									
Wet Bulb Temperature									

Cooling Tower No. _____

Fan(s) On/Speed (H/L)									
Water Level									

Cooling Tower No. _____

Fan(s) On/Speed (H/L)									
Water Level									

Cooling Tower No. _____

Fan(s) On/Speed (H/L)									
Water Level									

Cooling Tower No. _____

Fan(s) On/Speed (H/L)									
Water Level									

FIGURE 15.1. Cooling tower maintenance log.

When the tower is to be started after being shutdown for a lengthy period of time, it must be thoroughly inspected and repaired, as follows:

1. Check drift eliminators for proper position, being clean, etc.
2. Check fans, bearings, motors, and drives for proper lubrication.
3. Rotate fan shaft(s) by hand to make sure they turn freely.
4. Check fan motors for proper rotation and adjust belt tension for belt drives.
5. Fill basin with fresh water and check operation of level controller.
6. Start condenser pump and check wet deck for proper distribution.
7. Check fill for fouling and/or clogging and clean or replace if necessary.
8. Check access door gaskets and replace as necessary.
9. Thoroughly inspect all metal surfaces for corrosion, scale or fouling, or sludge. Clean as required and any damaged metal should be cleaned down to bare metal and refinished with a cold zinc coating.
10. Operate tower and look for and repair any water or air leaks from the basin, casing, or piping.

During the cooling season, regular inspection and maintenance of the tower is required to ensure proper operation, as follows:

A. Weekly

1. Clean basin strainer.
2. Check blowdown valve and make-up water valves to make sure they are working properly.
3. Test water and adjust chemical treatment as necessary.
4. Check/fill gear drive oil reservoir.

B. Monthly

1. Clean and flush basin. (This may be required more often for towers located adjacent to highways, industrial sites, etc. with high particulate emissions.)
2. Check operating level in basin and adjust as necessary.
3. Check water distribution system and sprays.
4. Check drift eliminators for proper position.
5. Check belts or gearbox and adjust as necessary.
6. Check fans, inlet screens, and louvers for dirt and debris. Clean as necessary.
7. Check keys and set screws.

C. Regularly

1. Lubricate motor in accordance with MFGR's instructions.
2. Lubricate fan shaft bearings every 1000 hr or 3 months.

3. Check gear drive in accordance with MFGR's instructions.
4. Blowdown condenser water pump strainer.

D. Yearly

1. Clean and touch-up paint or other protective finish as necessary (including grillage).
2. Dismantle and clean condenser water pump strainer.

15.2.3. Induction/Venturi Tower Maintenance

Due to its lack of fan, motor, and drive assembly, routine maintenance for the induction draft or venturi cooling tower is somewhat simpler than for a mechanical draft cooling tower. Basically, except for the fan elements, routine maintenance should include the same elements and schedule outlined in Sec. 15.2.2.

There are several special maintenance aspects of this type of tower that should be addressed on a *monthly* basis as follows:

1. *Strainers*: There are two strainers that must be removed and cleaned by high pressure water spray. The *sump strainers* are flat screens that require the basin to be drained before removal. A *final strainer* is located in a vertical cylindrical enclosure on the inlet side of the tower. This strainer is removed by removing the bolted cover plate.
2. *Spray nozzles*: Inspect the spray nozzles while the tower is in operation. If cleaning is necessary (indicted by poor or erratic spray), it can usually be accomplished while the tower is in operation by scrubbing the nozzle with a nonmetallic brush and using a nonmetallic pick. If this cleaning is unsatisfactory, shutdown the tower, remove the nozzle, and clean thoroughly in the shop.
3. *Inlet louvers*: The inlet louvers are much more closely spaced than on other types of towers and must be kept clean. They are removable to facilitate cleaning (and to provide access to the spray nozzles).

15.2.4. Heat Exchanger Maintenance

When a waterside economizer cycle is utilized, the heat exchangers applied must also be maintained on a regular basis, as follows:

1. *Plate and frame heat exchanger*: When the economizer cycle is in use, perform the following routine maintenance:
 - a. At least one manufacturer recommends that during the summer months when the heat exchanger is not in use, the plate pack should be loosened until all gasket compression is removed.

- b. At the beginning of the mechanical cooling season, when the economizer cycle is no longer used, dismantle and clean the heat transfer plates. High pressure water can be used, avoiding the gaskets, along with brushing with a *fiber* bristle brush or a *brush of the same alloy as the plates*. Replace gaskets as necessary.
 - c. Make periodic inspection of control valves to ensure proper operation.
 2. *Shell and tube heat exchanger*: When the economizer cycle is in use, perform the following routine maintenance:
 - a. Monthly, flush the shell and tube bundle and inspect the interior and exterior condition of the tubes. (Tubes can be cleaned with a 10% muriatic acid solution allowed to stand for 2 hr.) Replace gaskets when replacing heads.
 - b. Make periodic inspection of control valves to ensure proper operation.

15.3. TOWER PERFORMANCE TROUBLESHOOTING

Selected correctly, installed correctly, and properly maintained, the HVAC cooling tower should perform as required for many years. However, the tower may not perform as anticipated due to numerous problems that must be investigated and evaluated in the field.

Typical HVAC cooling tower performance problems fall into three major categories:

1. Selection problems
2. Installation problems
3. Maintenance problems

15.3.1. Selection Problems

Performance problems related to the tower selection refers to inadequate tower performance, because one or more of the tower performance requirements was incorrectly or inadequately specified.

From Chap. 9, two factors were defined as establishing the HVAC cooling tower performance:

1. The cooling load imposed on the tower, which is defined by the condenser water flow rate and the selected range.
2. The approach, which is dictated by the design outdoor wet bulb temperature and the required condenser water supply temperature.

Of these variables, the most common errors are made in defining the cooling load and in selecting the design outdoor wet bulb temperature. If either or both of these variables is under estimated, the cooling tower selected will simply be too small.

Selection errors are usually identified by performance problems when at or near design conditions, and the design condenser water supply temperature cannot be achieved. Measuring the outdoor wet bulb temperature under these conditions will demonstrate whether the tower selection was based on too low of a design wet bulb temperature. The imposed cooling load can be computed based on the design flow rate and the actual entering and leaving condenser water temperature and this value compared to the design requirement.

Unfortunately, there is relatively little that can be done to correct selection problems short of adding additional cooling tower capacity since the tower characteristic is too small for the performance required.

15.3.2. Installation Problems

There are a host of potential installation problems that can adversely affect cooling tower performance:

1. Excess recirculation may exist because the tower is not installed with sufficient clearance around it for free airflow. This condition can be determined by measuring the ambient air wet bulb temperature and the wet bulb temperature entering the tower. An increase of more than about 1°F in the entering wet bulb over the ambient wet bulb indicates that tower discharge is re-entering the tower.
2. There is inadequate airflow through the tower because the fan speed is not correctly adjusted. This problem can be solved by the adjustment of the fan drive for the proper fan speed.
3. There is inadequate water flow through the tower because the pump is incorrectly sized or installed incorrectly. Correcting the pump usually corrects the flow problem.
4. The make-up water system is inadequately sized and the tower runs dry. The make-up water supply must be sized in accordance with Sec. 11.5.2.
5. Bypass piping is incorrectly installed and the chiller will not start on cold mornings. This problem is corrected by eliminating the potential air gap in the pump suction as discussed in Sec. 12.1.
6. With two-speed fan systems, time delay is not included in the control scheme and the drive is damaged. See Sec. 12.2.2.
7. For multi-cell tower installations, the equalizer line may be inadequately sized if one basin floods while another runs dry. This problem is usually corrected by installing an equalizer line sized in accordance with Table 11.3.

8. As obvious as it may sound, some cooling towers do not get installed with the basin level. Thus, the basin operating depth varies from one end to another (or even worse, from corner to corner). Obviously, basin level control under these conditions can be difficult and the only real solution is to disconnect all of the piping, level the tower, and reinstall the piping.
9. As discussed in Chap. 11, if any of the condenser water supply piping between the tower basin and the pump suction is installed at an elevation higher than the tower operating level, the pump will lose prime due to air entrainment. The only fix for this problem is lower the piping or raise the tower.

15.3.3. Maintenance Problems

Proper water treatment and regular mechanical maintenance of the HVAC cooling tower is required to keep it performing as needed (see Sec. 15.2).

15.4. ENHANCING TOWER PERFORMANCE

When the load on a cooling system increases, the load imposed on the condenser water increases in direct proportion. However, if the load increases to a point where the cooling tower capacity is exceeded, the tower must be modified, if possible, to enhance its performance.

Increased load imposed on an HVAC cooling tower is represented by increased condenser water flow rate and/or increased range. Increased tower performance is achieved by increasing the airflow through the tower and/or increasing the tower heat exchange (fill) area. Thus, the first step in the analysis is to determine a new tower characteristic and from that determine the required additional heat transfer area and airflow rate required. The manufacturer can then determine if increasing airflow and amount of fill is possible. If not, the next step is to add new cooling tower to operate in parallel with the existing tower.

Induced draft towers have, usually, more potential for increasing airflow than do forced draft towers. The induced draft fan speed and/or blade pitch may be changed to produce more airflow. The fan wheel can be replaced with one with more blades. As a last resort, the entire fan assembly can be replaced with a larger one. In each of these cases, the fan motor size will increase as the cube of the increased airflow and must be replaced, also requiring wiring changes to support the increased motor horsepower.

Fill can be replaced with a different type that is more efficient. Bar splash fill can be replaced with formed PVC fill that is 15–20% more effective. It may even be possible to replace splash fill with film fill, improving heat transfer by as much as 25%. Existing film fill can be replaced with more efficient film fill, but at the expense of increased air pressure drop and fouling potential.

The tower configuration itself can be changed to improve performance. For example, a forced draft tower can be reconfigured as an induced draft tower or the small fans of a forced draft tower can be replaced with ducted air delivered from much larger fans. Usually, however, this type of modification, except in very large towers, is not cost effective, and the inadequate tower should simply be replaced with a new one.

15.5. COOLING TOWERS IN FREEZING CLIMATES

15.5.1. Winter Tower Operation

Winter tower operation may be dictated by either the need to provide cooling when systems have no economizer cycle or to serve in a waterside economizer application. Typically, the freezing problem is not related to the main condenser water flow stream, or even the water in the tower basin, but to ice formation from stray water droplets and/or saturated air impinging on cold surfaces.

Since forced draft cooling towers are far more susceptible to icing problems and potential mechanical damage, induced draft towers are usually used where winter operation is required and, therefore, this discussion is limited to that tower configuration.

Ice, in small quantities, will often form on tower louvers, structure, and the entering edge of the tower fill and is rarely a cause for concern. However, if the ice thickness grows, it can extend across and into the fill, effectively blocking airflow and, by its weight, cause structural damage to the tower. Thus, it is necessary for the tower operators to monitor ice formation and to take routine steps to control ice formation:

1. Never operate the cooling tower without a heat load. Without a heat load being imposed, the water temperature will continue to fall until (a) the ambient wet bulb temperature is reached or (b) ice forms, whichever occurs first.
2. Do not modulate water flow through the tower. Reducing the water flow will provide low flow regions in the fill that will promote icing. If flow control to prevent the water temperature from going too low is required, use the bypass valve as a two-position device rather than a modulating device. . . . send all of the water through the tower, then bypass all of the water.
3. Control airflow through the tower to control condenser water supply temperature above freezing. As discussed in Chap. 12, tower capacity control is routinely done by controlling the amount of air through the tower. Two-speed or pony motor arrangements are much better than single-speed fan cycling and should always be used for towers requiring winter operation.

4. De-ice the tower by airflow reversal. If, despite best efforts to prevent it, a significant amount of ice does buildup on the tower, de-icing can be accomplished by reversing the fan rotation and, thus, the airflow direction through the tower. This warm air is circulated back through the fill and louvers to melt the ice that has formed on these surfaces. Fan reversal can be accomplished by installing a forward-off-reverse switch in the fan circuit or, for three phase motors, simply switching two of the motor wires manually. To prevent damage to the fan and tower, fan reversal should follow this procedure:
 - a. Turn the fan off for 2–3 min.
 - b. Run the fan in reverse for not more than 15–20 min at one time.
 - c. If the tower has a two-speed or pony motor, run the fan in reverse at low speed.
 - d. If the tower consists of multiple cells, de-ice each cell individually while the adjacent cells are shut down.
 - e. After reversal, turn the fan off for 5–10 min before restarting in the correct direction.
 - f. Check fan and drive for proper operation, vibration, noise, etc.
5. *Never use antifreeze solutions in condenser water.* The use of antifreeze chemicals in the water changes the evaporation rate of the water and reduces the efficiency of the tower and, upon evaporation, pollutes the area around the tower.
6. During cold weather, monitor the tower carefully. Never allow the tower to operate unattended.

15.5.2. Winter Tower Shutdown

If the tower is not required to operate during the winter, then it can be shutdown for the heating season. To protect the tower from freezing and to minimize adverse affects to the system, the following guidelines are recommended for winter shutdown:

1. The tower wet deck and basin must be drained to prevent freezing.
2. Condenser water piping should be drained *only* to where it enters the building or is otherwise protected from freezing. Studies have shown that piping systems that are drained tend to have significantly increased corrosion rates due to exposure to air and the resulting oxidation. Thus, drain the minimum amount of piping possible needed to prevent freezing and keep the rest of the system flooded.
3. Drain exposed make-up water piping. (This piping is usually copper or plastic and corrosion is not a problem.)

An alternative to the manual shutdown and draining outlined above is to design the tower system with a remote sump within the building so that the tower operates effectively “dry.” When the tower is shutdown, all water drains to the indoor sump and no additional freeze protection is required. A typical tower and remote sump arrangement is illustrated in Figure 15.2.

Corrosion may occur and fouling and/or scale may form in the shutdown condenser water system. Corrosion shows up during the following cooling season when iron rust and scale breaks loose and begins to plug wet deck nozzles, strainers, and/or condenser tubes. Scale forms when wetted pipe dries and begins to rust. Other fouling is formed by the dissolved solids left behind as the water evaporates. To mitigate these problems, the following shutdown procedures are recommended:

1. As the cooling season ends, decrease the cycles of concentration to approximately 5–6 to reduce the level of dissolved solids in the water.

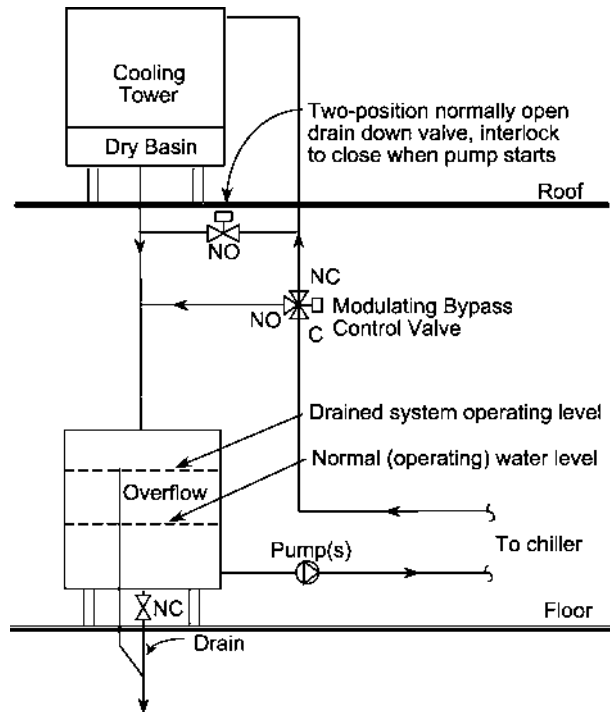


FIGURE 15.2. Indoor sump schematic.

2. Before shutdown, add a nonoxidizing biocide to maximize biological “kill,” since stagnant water left in the system will enhance the environment for biological growth.
3. Add additional dispersant to loosen and penetrate existing fouling.
4. To minimize corrosion during the shutdown period, circulate a film type corrosion inhibitor for 3–5 days before the system is shut down and drained, but only after sufficient time as elapsed for the dispersant to have been effective.
5. All water treatment systems should be shut down, cleaned, and flushed with fresh water in preparation for the next cooling system. Conductivity and pH probes should be removed, cleaned, and stored in a cool, dry area.

16

Buying a Cooling Tower

16.1. DEFINING TOWER PERFORMANCE REQUIREMENTS

The first step in purchasing a new or replacement HVAC cooling tower is to define the performance or capacity for it. To do this, the following four parameters must be specified:

1. Condenser water flow rate, gpm
2. Entering (return) condenser water temperature, °F
3. Leaving (supply) condenser water temperature, °F
4. Entering (ambient) wet bulb temperature, °F

The difference between the entering and leaving condenser water temperatures defines the required range, while the difference between the leaving condenser water temperature and the entering wet bulb temperature defines the required approach. With range and flow rate, the total Btu/h of heat rejection capacity is defined. With this data, any manufacturer can select a cooling tower.

The next step is to define one or more tower configurations that would be acceptable, as follows:

DRAFT/FAN	A—Forced/propeller fan B—Forced/centrifugal fan C—Induced/propeller fan
Flow arrangement	1—Crossflow 2—Counter flow
Assembly	Factory assembled Field erected
Construction	Wood Galvanized steel Galvanized steel with stainless steel basin (and wet deck, for a crossflow tower) All stainless steel Fiberglass reinforced plastic (or equivalent) Concrete/masonry

Table 16.1 summarizes the typical types of construction available for various draft and flow arrangements. As discussed in earlier chapters, wood and concrete/masonry towers are used infrequently in HVAC applications unless the tower requirement is very large (greater than 2000 ton) or there is a specific aesthetic element that must be addressed.

When one of the acceptable alternatives is a galvanized tower, it is recommended that the basin and, for crossflow towers, the wet deck be constructed of stainless steel. This option is offered by all of the tower manufacturers and will increase tower costs by 20–40%. But, as shown in Table 16.2, the typical cooling tower life is extended by at least 33%, making it an excellent investment.

TABLE 16.1. Cooling Tower Construction Options

Construction	Typical construction availability for tower type			
	A1/B1	C1	A2/B2	C2
Wood		X		
Galvanized steel	X	X		X
Galvanized steel with stainless steel basin (and wet deck, as applicable)	X	X		X
All stainless steel	X	X		X
FRP		X	X	X
Concrete/masonry		X	X	X

TABLE 16.2. Estimated Economic Life

Equipment	Life (years)
Pump, base-mounted	20
Pump, line-mounted	10
Cooling tower, galv. steel	15
Cooling tower, FRP	20
Cooling tower, galv. steel w/s.s. basin and wet deck	22
Cooling tower, wood	25
Cooling tower, all stainless steel or masonry	35

Factory-assembled towers are much easier and faster to install and tend to be less expensive. Thus, field-erected towers are rarely used for HVAC applications except, again, for very large loads (> 2,000 tons).

16.2. CTI RATINGS AND PERFORMANCE GUARANTEES

Except in very special circumstances or for large field-erected towers, HVAC cooling towers should be specified to have their performance certified by the Cooling Technology Institute (CTI) in accordance with CTI Standard 201. This certification amounts to a third party guarantee that the tower will perform as advertised provided the tower is installed correctly and the condenser water is “clean.”

CTI certification eliminates the need and expense of field-testing a cooling tower to confirm that it performs as specified. Table 16.3 lists the towers that are CTI certified. However, new towers are added to CTI’s list from time to time, so the list should be checked (www.cti.org) to confirm any proposed cooling tower’s certification.

16.3. ECONOMIC EVALUATION OF ALTERNATIVE COOLING TOWER SYSTEMS

Life cycle costing is the best way to compare alternative cooling tower selections. It provides for a consistent method of analyzing the economic aspects of each tower and allows realistic comparison so that the most cost-effective, e.g., least life cycle cost, tower can be selected. The process is basically simple and requires only that each potential tower be evaluated using the same criteria. The result is an “apples-to-apples” comparison, not “fruit salad.”

The computations to determine life cycle cost utilizing the *total owning and operating cost* methodology are simple. However, the methodology’s accuracy

TABLE 16.3. CTI Certified Cooling Towers (May, 2002)

Manufacturer	Cooling tower models	Configuration ^a
Baltimore AirCoil Company, Inc.	FXT line	A1
	V VF1	B2
	V VFL	B2
	V VTL	B2
	V VTO	B2
	V VT1	B2
	Series 1500	C1
	Series 3000A	C1
	Series 1500 FXV	C1
	Series 1500 FXV	C1
Ceramic Cooling Tower Company, Inc. (A division of Baltimore AirCoil Company, Inc.)	Ultralite PSC-XF line	C1
	Ultralite XL100 line	C1
Evapco, Inc.	AT series	C2
	SST series	C2
	UBT series	C2
	USS series	C2
Fabrica Mexicana De Torres, SA	GHR line	C2
Reymisa Cooling Towers		
Integrated Tower Systems, Inc.	ITF series	
Kyung In Machinery Company, Ltd	EX line	C1
Liang Chi Industry Company, Ltd	LRC line	
Marley Cooling Tower Company	NC series	C1
	Quadraflow series	C1
	Sigma Line	C1
	AV series	C1
	Aquatower 3900 & 4900 series	C1
	Primus series	C1
	TTGE line	A2
Tower Tech, Inc.		

^a See Sec. 16.1 for configuration codes.

depends wholly on the accuracy of the data utilized. Anyone can calculate “garbage” life cycle costs simply because they use data and/or assumptions that are “garbage.” Two different individuals, faced with the same evaluation may compute wildly different life cycle costs because they use significantly different data and/or assumptions in their computations.

The following subsections define the basic elements that make up the life cycle cost.

16.3.1. First Costs

The initial capital costs associated with each potential cooling tower are all of the costs that would be incurred in the design and construction of that tower and the associated condenser water pump. Equipment costs can be obtained directly from the prospective equipment vendors. Installation cost estimates can be obtained from local contractors or, lacking that, from cost data published by R. S. Means Co., Inc. (Construction Plaza, 63 Smiths Lane, Kingston, MA 02364-0800, 781/585-7880 or 800/334-3509).

The construction cost estimate must include the following, in addition to the cost of the tower itself:

1. Tower dunnage and grillage
2. Rigging
3. Demolition
4. Electrical power
5. Controls
6. Contractor Overhead (Insurance, bonds, taxes, and general office operations, special conditions), typically 15–20%
7. Contractor Profit, typically 5–20%

Other costs that may be included in the capital requirement are design fees, which may increase or decrease as a function of the selected alternative; special consultants' fees; special testing, etc. Also, condenser water, make-up water, and/or drainage piping may change configuration and cost between alternative towers.

Unless the cost of the tower is being met from operating revenues, at least a portion of the capital expense will be met with borrowed funds. The use of this money has a cost in the form of the applied *interest rate* and information about the amount of borrowed funds, the applied interest rate, and the period of the loan must be determined for the analysis. Then, the total capital cost, including both principal and interest can be computed using Eq. (8.1).

16.3.2. Annual Recurring Costs

Once the tower system is placed into operation, two annual recurring costs must be met each year of its economic life: energy costs and maintenance costs.

The economic life for an alternative is the time frame within which it provides a positive benefit to the owner. Thus, when it costs more to operate and maintain a piece of equipment than it would to replace it, the economic life has ended. Typically, the economic life (sometimes called “service life”) is the period over which the equipment is expected to last physically. The typical economic life for the cooling towers and pumps is provided in Table 16.2.

The computation of energy cost requires that two quantities be known: (1) the amount of electrical energy consumed by the tower and the associated condenser water pump and (2) the unit cost or rate schedule for that energy. The second quantity is relatively easy to determine by contacting the utilities serving the site or, for some campus facilities, obtaining the cost for steam, power, chilled water, etc., that may be furnished from a central source.

To accurately evaluate and compare alternative cooling towers, it is necessary to also consider the condenser water pump. Since different towers may impose different pressure losses on the pump, this energy and cost component must be incorporated into the analysis.

To determine the total energy use by the condenser water pump and cooling tower, the first step is develop a “load profile” for the condenser water system in terms of system load (tons) as a function of outdoor temperature, usually for each five degree “bin” of outdoor temperature. At each bin, the power input to the condenser water pump and cooling tower must be determined in terms of kW and then multiplied by the hours of occurrence of that bin to yield energy consumption in terms of kWh. Adding the energy consumption in all of the bins yields the total annual energy consumption. Figure 16.1 provides a form that can be used for this calculation.

With this form, for single speed motors, the “percent load” is 100% any time the fan is on. For 2-speed or pony motor arrangements, the full speed load is 100%, while the half speed load is approximately 30%. When a VFD is used, the percent load can be estimated from Figure 12.6.

Cooling system load profiles fall into three basic forms:

1. Where airside economizer systems are used or the system is located in a cold climate and is not operated in the winter, the load can be prorated between the design summer temperature and about 55°F. In each of these bins, since some cooling is required, the condenser water pump must run and, therefore, its load is 100% in each bin. The tower fan, with cycling capacity control, will operate a percentage of the time essentially equal to the percent load imposed on it.
2. When the cooling system operates on a year around basis, the cooling load will be prorated to all bins of temperature.
3. When a waterside economizer is in use, the winter use of the condenser water pump and cooling tower must be estimated. Again, if there is any cooling load imposed in a bin, the condenser water pump power requirement is 100% in that bin. The tower fan use can be prorated in direct proportion to the imposed cooling load in the winter.

The energy cost, then, is computed by multiplying the electrical energy consumption by the unit cost for electricity.

Outdoor Temp Range	(A) Annual Hours (Note 1)	(B) Cooling Load (tons)	Tower Fan		CDW Pump		(G) Total kW (Note 3)	(H) Total kWh (Note 4)
			(C) Percent Load (Note 2)	(D) kW	(E) Percent Load (Note 2)	(F) kW		
95-99								
90-94								
85-89								
80-84								
75-79								
70-74								
65-69								
60-64								
55-59								
50-54								
45-49								
40-44								
35-39								
30-34								
25-29								
20-24								
14-19								
10-14								
5-9								
0-4								

Notes:

1. This data is available from *Engineering Weather Data* published by the Department of Defense as Air Force AFM 88-29, Army TM 5-785, and Navy NAVFAC P-89.
2. Percent of fan or pump motor load to satisfy imposed cooling load.
3. (D) + (F)
4. (G) x (A)

FIGURE 16.1. Condenser water system energy consumption calculation form.

Annual recurring maintenance cost is a very difficult element to estimate. Lacking other information, the annual routine maintenance cost associated with pumps and cooling towers can be estimated as a percentage of the initial equipment cost, as follows:

- Galvanized steel or wood cooling tower 3%
- Galvanized steel tower with stainless wet deck and basin or Fiberglass reinforced plastic (FRP) tower 2%
- Stainless steel or masonry tower 1%

These costs do not include the cost of make-up water or the water treatment program. Since the amount of make-up water and water treatment chemical consumption is a function of (a) cooling tower loads, (b) the water treatment program required, and (c) the water flow rate, it is essentially independent of the

tower itself. Therefore, this element can be ignored when comparing alternative cooling towers *unless* there is a significant difference in drift losses between alternative towers. (*The one exception to this is the additional water treatment required for wooden towers and this additional cost should be included in the analysis.*)

16.3.3. Nonrecurring Repair and Replacement Costs

Nonrecurring costs represent repair and/or replacement costs that occur at intervals longer than 1 year. For example, a galvanized wet deck and basin in a crossflow induced draft tower may require significant repair (or even replacement) after 10 years of service. These costs must be determined and the year of their occurrence estimated.

16.3.4. Total Owning and Operating Cost Comparison

The total owning and operating cost for a cooling tower and its associated condenser water pump, over the system economic life, can be computed using Eq. (16.1).

$$\begin{aligned} \text{Life Cycle Cost} = & C + (\text{Sum of Repair/Replacement Costs}) \\ & + [(\text{Economic Life}) \times (\text{Annual Energy Cost} \\ & + \text{Annual Maintenance Cost})] \end{aligned} \quad (16.1)$$

C is the total capital cost computed from Eq. (8.1).

16.4. PROCUREMENT SPECIFICATIONS

Recommended specifications for both induced draft and forced draft cooling towers are provided in Appendix B. These specifications are based on factory-assembled galvanized steel towers with stainless steel basins and, for crossflow towers, stainless steel wet decks. Each specification includes both crossflow and counterflow configurations and, therefore, must be edited carefully if only one of these configurations is acceptable.

16.5. WATER TREATMENT PROGRAM CONTRACTING

The following are the recommended minimum standards that should be applied to the selection of a water treatment service company:

1. To be considered, a water treatment service company should be an established company with full service capabilities. The company should have been in business at least five years, have corporate staff with sufficient expertise and experience to competently address all aspects of water related issues, and be capable of providing a reasonable list of references for whom they have provided service for a minimum of two years. *Call and verify the listed references.*
2. The local service personnel should have sufficient expertise and experience to competently address all aspects of water related issues. After all, it is the local service technician who will actually provide the day-to-day service, not a “water expert” at the corporate office. Ask for a detailed resume for the service technician. Further, check into the company’s service technician turnover rate. If the local technician is constantly changing, the quality of service provided by this company will be uneven.
3. The proposed approach to water treatment should incorporate proven technology. This does not mean totally excluding “new” technologies, products, or methods, but it does mean that the water treatment service company must demonstrate that their proposed technology has been successfully applied at other locations with similar water treatment conditions and needs. Ask for a list of these locations and call them.
4. Ensure the program performance and its cost. Even with the most reputable water service companies, there are many instances where the water treatment program performance and/or cost did not meet promises. Therefore, develop detailed and rigid performance and cost standards and include them in the contract with the service company, including penalties if the standards are not met.

As a basis of comparing alternative water treatment programs by different service companies, prepare a detailed “request for proposals (RFP)” that defines requirements and standards and send it to several service companies who potentially meet the standards outlined above. Thus, there will be several different proposals that will have a common basis for comparison. For larger systems, it may be necessary to retain an independent consultant to develop the RFP and/or evaluate the vendor proposals. Costs incurred for the consultant will be more than offset by the proper selection of a cost-effective water treatment program.

Initial water service treatment contracts should be for a two-year period. This gives the service company ample opportunity to address all of the problems that may be in the system and meet the cost and performance goals that have been established. After this initial period, contracts should be for one year.

17

In-Situ Tower Performance Testing

For large towers or for towers with special requirements that are not CTI certified, in-situ testing is the only way to guarantee that the tower will perform as required. This is an expensive and time-consuming process that should be undertaken only after due consideration.

17.1. WHY IN-SITU TESTING?

Thermal performance testing of an operating cooling tower is a complicated and expensive undertaking. Costs to test even a medium-sized tower can run well into five figures.

These tests are normally conducted for one of two purposes:

1. Acceptance tests may be required to demonstrate that the installed cooling tower meets the performance standards that were specified. For the majority of HVAC applications, tower performance for many brands and types of cooling towers are certified by the CTI, and it is more cost-effective to simply select a certified tower and, thus, avoid the cost of acceptance testing entirely. In some cases, such as for very large towers or field-erected towers, an acceptance test may be necessary.

2. Performance testing to evaluate a cooling tower's performance relative to correcting problems and/or changing the tower's thermal requirements. In-situ performance testing yields actual tower performance data that can be used to indicate required tower modifications or improvements.

17.2. TESTING CRITERIA AND METHODS

The field testing of cooling tower performance must be done in accordance with CTI Standard ATC-105 or Standard PTC-23 issued by The American Society of Mechanical Engineers (ASME). *Testing is typically done by third party agencies and it is recommended that the selected agency be an agency that is licensed by CTI*

Commonly, thermal performance tests are referred to as either Class A or B tests. The Class A test is one conducted by using mercury-in-glass thermometers and grade level psychrometers, while the Class B test uses a data acquisition system with psychrometers arranged in an array over the entire air inlet face of the tower. This does not mean that a data acquisition system cannot be used in conjunction with grade level psychrometers. It is common to call the air temperature measurement device used in cooling tower tests a psychrometer. This is technically incorrect as a psychrometer measures the wet bulb (WB) and dry bulb temperatures while those instruments widely used today measure only a single temperature. Depending on how the "cooling tower" psychrometers are assembled, they may be used to measure either a wet or dry bulb temperature.

It is also very important to recognize the difference between an ambient and entering WB test. Both ASME and CTI recommend that towers be sized and tested based on entering WB temperatures. This consideration can affect the size of the tower selected and the results of thermal tests. An ambient WB is defined as the temperature of the air mass entering the tower less any influence by recirculation. For an ambient WB test, at least three WB instruments are located 50–100 feet upwind of the tower.

It is also necessary to measure (or otherwise to account for) the temperature and quantity of any other air streams (interference) entering the tower, other than its own recirculation. This interference can come from any other source including other cooling towers. This can be very difficult, if not impossible to do accurately. The entering WB temperature attempts to measure the average temperature of all the air entering the tower regardless of its source. While this is easier than trying to separate the influence of several air masses, it still requires a careful analysis by the test staff to ensure that the number of instruments and their locations are adequate.

Most testing today is the Class B test, using data acquisition systems to measure temperatures. With this test method, the first step is to inspect the tower to ensure it is ready for the test and to identify points of measurement for the various parameters. While the test agencies may consider condition of the tower,

it is not their obligation to clean, balance, or otherwise adjust the tower for the test—this is the owner or installer's responsibility.

In the case of an acceptance test, the installer and/or manufacturer will normally be much more thorough in this area to ensure the tower's full potential is measured.

Once all parties are satisfied that the tower is ready for testing, instruments are deployed as illustrated in Figure 17.1 and the testing begins. For typical large HVAC cooling towers, the testing process requires one to two days. However, weather and operating conditions can sometimes increase this time.

To begin the testing process, the test technicians begin taking data. Usually, the thermal data are started and monitored for a brief period. If any problems with instrumentation or conditions are noted, efforts will be made to correct them. Once any corrections are completed, the test begins and must last at least 1 hr after steady-state conditions have been achieved.

During the test, the technicians will monitor the system temperatures and measure the water flow rate and fan power. The two test standards offer recommendations on deviation from design conditions for the test parameters, as given in Table 17.1.

While it is preferable to comply with all these limitations, it is not always possible. CTI licensed testing agencies report deviations from recommended parameters in 70–75% of all tests. Recognizing this, the standards allow for deviation *provided all parties agree*. If at any time during the process, it is determined a parameter is outside the recommended limitations, all parties must review the situation and reach a unanimous solution. This can result in data being discarded and restarts required.

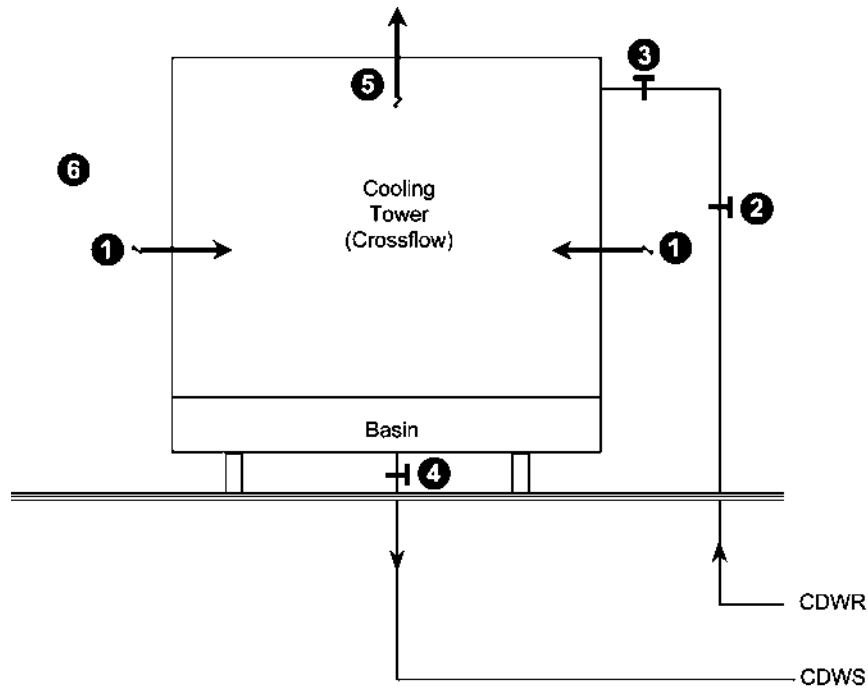
Two parameters, the limits on oil, tar, or fatty substances or the total dissolved solids in the condenser water are not routinely checked during a tower test. However, if the tower fails the test, and any party thinks that these agents are present and could have contributed to the failure, these parameters are measured.

To measure the water flow rate, a pitot tube traverse of the piping carrying water to the tower is the preferred method. A Wattmeter is used to measure fan input power on mechanical draft tower systems up to 600 V. Temperatures are measured with thermometers, RTD's, or thermistors.

The test parameters must be measured at regular intervals during the test, as given in Table 17.2.

In addition, any other factor affecting the tower's operation or the data taken must be recorded. These other factors may include pump discharge pressure, make-up flow and temperature, blowdown flow and temperature, auxiliary streams entering the collection basin, etc.

The hot water temperature is normally taken in the wet deck or in a tap in the piping carrying water to the tower. The cold water temperature is normally taken at taps on the discharge side of the pumps. In most cases, installations have



- | | |
|--|--|
| <p>1 Locate psychrometers or matrix of RTD's appropriately to satisfy Specific test requirements.</p> | <p>4 Measure cold water temperature at discharge.</p> |
| <p>2 Measure gpm at pitot tube taps.</p> | <p>5 Measure bhp at motor.</p> |
| <p>3 Measure entering water temperature at inlet piping.</p> | <p>6 Measure wind speed and direction upwind of tower in unobstructed area.</p> |

FIGURE 17.1. Test instrument locations for in-situ performance testing.

pressure gauges at this location and these gauges can be replaced with flowing wells for temperature measurement. If this is not possible, separate taps are required.

The CTI and ASME standards have defined the instrumentation and procedures very clearly. Unfortunately, the many installation variations and test circumstances provide multiple obstacles. This can create serious problems for the technicians and increased uncertainty of results. The straightforward process alone does not protect against completely meaningless results. For this reason,

TABLE 17.1. Recommended Maximum Parameter Variations from Design

Parameters	CTI standard	ASME standard
Condenser water flow rate	± 10%	± 10%
Design heat load	Not specified	± 20%
Range	± 20%	± 20%
Fan motor power	± 10%	± 15%
WB temperature	± 15°F	+ 5°F/ - 15°F
Wind velocity (max)	10 mph with 1 min gusts not to exceed 15 mph	10 mph with 1 min gusts not to exceed 15 mph
Barometric pressure	± 1.0" Hg	Not specified
Oil, tar, or fatty substances in water	10 ppm	10 ppm
TDS in water	The greater of 5000 ppm or 1.1 times design concentration	10% above design

the CTI carefully tests those individuals licensed by CTI to lead tests and inspects and approves their test equipment. Manufacturers also have highly skilled and trained staff to participate in the testing process, particularly for an acceptance test, to help ensure the products are properly evaluated.

Evaluation of the data collected during the test must follow the requirements outlined by the test standard that is being used, either CTI or ASME.

17.3. TOWER INSTALLATION REQUIREMENTS FOR TESTING

For a thermal performance test, especially an acceptance test, there are certain site requirements that need to be met by the customer or his representative. The

TABLE 17.2. Tower Test Parameter Recording Requirements

Parameters	Test frequency (readings/hr)
Water flow rate	3
Hot water temperature	12
Cold water temperature	12
Wet bulb temperature	36 per station
Fan power	4 (or monitor continuously)
Wind speed	12

following list includes the common considerations for a standard tower installation operating on a closed-loop system:

1. Pitot tube taps must be installed in the pipe(s) delivering water to the cooling tower.
2. Sensor taps must be installed for the measurement of water temperatures. Hot water temperature can normally be measured in the distribution basin of crossflow towers. Often, the pitot taps can also be a measurement point for hot water temperature. If site-specific circumstances make neither of these options acceptable, special taps will be required. The cold water temperature is normally accomplished at the discharge of the circulating water pumps. The most common location is at the pressure gauge tap present on most systems. If this is not available or applicable on a system, special taps or another solution must be identified. Measurement in a tower basin is not acceptable. Measurement of cold water temperature in a flume or channel can sometimes be accomplished with acceptable accuracy, but specifics should be reviewed.
3. At the time of the test, safe access to any elevated points of measurement must be provided. All access must conform to safe work practices, OSHA requirements, and any local requirements.
4. Power for test instruments (typically 120/1/60) must be available adjacent to the tower. On very large towers, multiple sources around the tower may be necessary.

The tower must be prepared for testing before the test technicians arrive:

1. The tower must be clean. The wet deck must not have damaged, missing, or plugged nozzles or orifices and be balanced as well as the design allows. The air inlet should be cleared of any blockage. If the tower has louvers, they should be in the normal design position, if adjustable. The eliminators should be free of foreign matter. Fan discharge should be clear and unobstructed.
2. Water flow and heat load to the tower, or representative cells, should be as close to design as the system will permit. If the test standard recommended limitations cannot be met, all parties should review the situation to agree on the deviation or delay/cancel the test.
3. Any water bypass should be closed and inspected to ensure there is no leakage.
4. Any source of air leakage such as access doors, mechanical equipment supports, or holes in the casing or fan cylinders must be closed/blocked.
5. All fans must operating at full speed and cannot cycle during the test period. In the case of tower fans operating with VFD's, they should be placed in by-pass mode.

6. The owner or his representative should designate a coordinator qualified to integrate the testing activity and the normal process operation being served by the cooling tower.
7. The owner or his representative should have an electrician or qualified operator available to assist in the measurement of fan power.

All parties to the test must be advised in advance of any special safety issues required at the site.

Appendices

APPENDIX A DESIGN AMBIENT WET BULB TEMPERATURES^a

TABLE A.1

State	City	WB Temp (°F)
Alabama	Birmingham	78
	Mobile	77
	Ozark	81
Alaska	Anchorage	60
Arizona	Flagstaff	61
	Phoenix	78
	Tucson	72
Arkansas	Little Rock	80
California	Los Angeles	70
	Sacramento	71
	San Francisco	64
Colorado	Denver	65
Florida	Jacksonville	79
	All others	80
Georgia	Atlanta	77
	Augusta	79
	Savannah	79

Illinois	Chicago	77
	Springfield	79
Indiana	Indianapolis	78
	Terre Haute	80
Iowa	Des Moines	78
Kansas	Dodge City	74
	Topeka	79
Kentucky	Lexington	77
	Louisville	78
	Paducah	80
Louisiana	Baton Rouge	80
	New Orleans	81
Maine	Augusta	73
	Portland	74
Maryland	Baltimore	78
Massachusetts	Boston	75
Michigan	Detroit	76
	Saginaw	77
	Traverse City	74
Minnesota	International Falls	72
	Minneapolis/St. Paul	76
Mississippi	Biloxi	81
	Jackson	80
Missouri	Columbia	78
	Kansas City	78
	St. Louis	79
Montana	Butte	60
	Missoula	65
Nebraska	Omaha	78
Nevada	Las Vegas	71
	Reno	63
New Hampshire	Concord	74
New Jersey	Atlantic City	77
	Newark	77
New Mexico	Albuquerque	65
	Roswell	70
New York	Albany	74
	Buffalo	74
	New York City (JFK)	76
North Carolina	Asheville	75
	Charlotte	77
	Fayetteville	79
	Greensboro	77
	New Bern	81

(continued)

Table A.1. Continued

State	City	WB Temp (°F)
	Raleigh	78
North Dakota	Bismarck	72
	Grand Rapids	75
Ohio	Akron	75
	Cincinnati	77
	Columbus	77
Oklahoma	Oklahoma City	78
Oregon	Eugene/Portland	69
Pennsylvania	Philadelphia	78
	Pittsburgh	75
Rhode Island	Providence	76
South Carolina	Greenville	77
	Columbia	78
	Charleston	80
South Dakota	Pierre	68
	Rapid City	64
	Sioux Falls	71
Tennessee	Chattanooga	78
	Knoxville	77
	Memphis	78
	Nashville	78
Texas	Abilene	75
	Amarillo	71
	Austin	78
	Dallas	78
	El Paso	70
	Houston	80
	Laredo	79
	San Antonio	79
Utah	Salt Lake City	66
Vermont	Burlington	74
Virginia	Norfolk	80
	Richmond	79
	Roanoke	75
Washington	District of Columbia	79
Washington	Seattle	66
	Yakima	67
West Virginia	Charleston	76
Wisconsin	Madison	76
	Milwaukee	76
Wyoming	Cheyenne	62

^aFrom Table 1b, Chapter 27, 2001 ASHRAE Handbook, Fundamentals.

APPENDIX B: DRAFT SPECIFICATIONS
APPENDIX B1
POSITIVE DISPLACEMENT COMPRESSOR WATER
CHILLERS
Part 1 General

Quality Assurance

ARI Compliance: Test and rate reciprocating chillers in accordance with ARI Std. 550/590-98, "WaterChilling Packages Using the Vapor Compression Cycle."

ASHRAE Compliance:

Fabricate and install reciprocating compressor water chillers to comply with ASHRAE 15 "Safety Code for Mechanical Refrigeration."

Energy performance of equipment shall meet or surpass the requirements of ASHRAE/IESNA 90.1-1999.

NEC Compliance: Comply with applicable NEC requirements pertaining to electrical power and control wiring for construction and installation of reciprocating chillers.

ANSI Compliance: Comply with ANSI B9.1 safety code requirements pertaining to unit construction of reciprocating chillers.

ASME Compliance: Construct and test reciprocating aircooled liquid chiller in accordance with ASME Boiler and Pressure Vessel Code, Section 8.

NEMA Compliance: Provide high-efficiency motors for reciprocating chillers that comply with NEMA Stds. Pub/No.'s MG 1, 2, 3, 10, and 11.

UL Compliance: Comply with applicable requirements of UL 465, "Central Cooling Air Conditioners," pertaining to construction and installation of reciprocating chillers.

Submittals

General: Submittals shall demonstrate compliance with technical requirements by reference to each subsection of this specification. Where a submitted item does not *comply fully* with each and every requirement of the Specifications, the submittal shall clearly indicate such deviations. Identification requirements for non-complying features of items are very specific.

Manufacturer's Data: Submit manufacturer's technical product data, including rated capacities for chillers indicated, weights (shipping, installed, and operating), furnished specialties and accessories, and rigging, installation, and start-up instructions.

Part 2 Products

Water-Cooled Chillers

General: Provide factory-assembled and tested multiple compressor water-cooled liquid chillers as indicated, consisting of two or more compressors, condenser, evaporator, thermal expansion valve, and control panel. Provide capacity and electrical characteristics as scheduled.

Refrigerant: Provide full operating charge of refrigerant (R-22, R-407c, or R-410a) and oil.

Evaporator: Provide shell-and-tube design with seamless copper tubes roller expanded into tube sheets. Design, test, and stamp for refrigerant side working pressure of 225 PSIG minimum, and water side working pressure of 150 PSIG minimum, in accordance with ASME Pressure Vessel Code. Insulate with 1/2" minimum flexible unicellular insulation with maximum K-value of 0.28. Provide water drain connection and bulb wells for temperature controller and low-temperature cutout.

Multiple-Compressor Units: Provide independent multiple refrigerant circuits with gasketed evaporator heads.

Condenser: Provide shell-and-tube design with seamless integral fin copper tubes expanded into tube sheets, with tubes mechanically cleanable and replaceable through removable headers. Design, test, and stamp for refrigerant side working pressure of 300 PSIG minimum, and water side working pressure of 150 PSIG minimum, in accordance with ASME Pressure Vessel Code. Provide safety relief valve with pressure rating not to exceed condenser shell side working pressure. Provide integral subcooler circuit.

Multiple-Compressor Units: Provide independent multiple refrigerant circuits.

Compressors: Provide direct-drive, 1750 RPM, accessible hermetic, multi-cylinder reciprocating compressor with multistep capacity control. Provide crackcase heater and suction strainer. Mount compressor on vibration isolators within chiller housing.

Lubrication: Provide reversible, positive-displacement oil pump. Provide oil charging valve, oil level sight glass, oil filter, and magnetic plug or strainer.

Motor: Provide suction gas-cooled motor with high temperature protection.

Capacity Modulation: Provide step capacity control by means of cylinder unloaders and/or compressor staging, from return water temperature.

Refrigerant Circuit: Provide the following for each refrigerant circuit:

- Liquid line solenoid valve
- Filter dryer
- Liquid line sight glass and moisture indicator
- Thermal expansion valve
- Compressor discharge service valve
- 1/4" flare charging port
- Insulated suction line

Control Panel: Provide control panel, factory-wired for only single-point power connection.

Provide the Following for Each Compressor:

- High-pressure cutout
- Motor protection

Provide the Following for Each Refrigerant Circuit:

- Low-pressure cutout
- Oil pressure cutout

Provide the Following for Each Unit:

- Temperature controller
- Low-temperature cutout
- Sequence device (for multiple compressor units)
- Terminal strip
- Reset relay

Provide the Following for Each Compressor:

- Power controls for part-wind or across-the-line start
- Control power transformer or terminal block for 115 v control voltage
- Compressor starter relay
- Nonrecycling compressor overload device

Accessories: Provide the following accessories:

- Vaporproof chilled water flow switch
- Suction, discharge, and oil pressure gauges for each compressor
- Compressor suction and discharge service valves
- Spring vibration isolators
- Antirecycle timer if protection against liquid slugging is not provided
- Manual pumpdown switch

Outdoor Air-Cooled Chillers

General: Provide factory-assembled and tested multi-compressor outdoor air-cooled liquid chillers as indicated, consisting of two or more compressors, evaporator, condensers, thermal expansion valves, and control panels. Provide capacity and electrical characteristics as scheduled.

Refrigerant: Provide full operating charge of refrigerant (R-22 or R-410a) and oil.

Housing: Provide manufacturer's standard equipment housing construction, corrosion protection coating, and exterior finish. Provide removable panels and/or access doors for inspection and access to internal parts and components.

Evaporator: Provide shell-and-tube design with seamless copper tubes roller expanded into tube sheets. Design, test, and stamp for refrigerant side working pressure of 225 PSIG minimum, and water side working pressure of 150 PSIG minimum, in accordance with ASME Pressure Vessel Code. Provide one water pass with series of internal baffles. Insulate with 1/2" minimum flexible unicellular insulation with maximum K-value of 0.28. Provide water drain connection and bulb wells for temperature controller and low-temperature cutout.

Heater Tapes: Provide electrical resistance heater tape on evaporator to protect against freezing at -20°F (29°C) ambient at no-flow condition.

Multiple-Compressor Units: Provide independent multiple refrigerant circuits with gasketed evaporator heads.

Condenser: Construct coils with configured aluminum fins mechanically bonded to seamless copper tubing. Provide integral subcooling circuit with liquid accumulators. Leak test coils with air under water at 425 PSIG air pressure. Provide protective grilles over exposed coil faces.

Multiple-Compressor Units: Provide multiple circuited condenser coils.

Condenser Fans: Provide propeller fans, direct or belt driven, draw-through design, statically and dynamically balanced. Provide protective grille over air discharge.

Low-Ambient Control: Provide head pressure control, designed to operate at temperatures down to 0°F (18°C).

Compressors: Provide direct drive 1750 RPM, multicylinder reciprocating compressors with crankcase heater, either semihermetic or hermetic, but with minimum steps of capacity control as scheduled provided by cylinder unloading or compressor staging or combination of both. Mount compressors on vibration isolators within chiller housing.

Lubrication: Provide oil pump, oil filter, oil level sight glass, and oil charging valve.

Capacity Modulation: Provide step-control by means of cylinder unloading and/or compressor staging, from return water temperature.

Refrigerant Circuit: Provide for each refrigerant circuit the following:

- Liquid line solenoid valve
- Filter dryer
- Liquid line sight glass
- Thermal expansion valve
- Insulated suction line
- Suction and discharge valves

Controls Panels: Provide weathertight control panels, factory-wired for external connection only. Provide the following controls:

- Power controls for starter
- Control power transformer for 115V control voltage
- Terminal strip
- Pumpdown control relay
- Compressor starter relay
- Reset relay
- Nonrecycling compressor overload relay
- High-pressure cutout
- Low-pressure cutout
- Oil pressure cutout, except for low oil pressure compressor systems
- Low-temperature cutout
- Chilled water temperature controller

Accessories: Provide the following accessories:

- Vaporproof chilled water flow switch
- Suction and discharge gages, for each compressor
- Oil pressure gages except for hermetic compressors
- Spring vibration isolators

Part 3 Execution

Installation of Chillers

General: Install chillers in accordance with manufacturer's written instructions. Install units plumb and level, firmly anchored in locations indicated; maintain manufacturer's recommended clearances.

Relief Piping: Provide relief piping from indoor chiller's refrigerant pressure relief rupture disc on chiller to atmosphere; size piping as recommended by chiller manufacturer, and terminate with gooseneck facing down.

Start-up chillers, in accordance with manufacturer's start-up instructions, and in presence of manufacturer's technical representative. Test controls and demonstrate compliance with requirements. Replace damaged, or malfunctioning, controls and equipment and retest.

Do not place chillers in sustained operation prior to initial balancing of mechanical systems that interface with the reciprocating chillers.

Provide services of manufacturer's technical representative to instruct Owner's personnel in operation and maintenance of reciprocating chillers. Review with the Owner's personnel the data contained in the Operating and Maintenance Manuals.

APPENDIX B2

ROTARY WATER CHILLERS

Part 1 General

Quality Assurance

ARI Compliance (up to 1600 tons): Fabricate, test, and rate chillers to comply with ARI Standard 550/590-98 "Water-Chilling Packages Using the Vapor Compression Cycle".

ASHRAE Compliance:

Fabricate and install rotary water chillers to comply with ASHRAE 15 "Safety Code for Mechanical Refrigeration."

Energy performance of equipment shall meet or surpass the requirements of ASHRAE/IESNA 90.1-1999.

UL Compliance: Fabricate rotary water chillers to comply with UL 465 "Central Cooling Air Conditioners."

ASME Compliance: Fabricate and stamp rotary water chillers to comply with ASME Boiler and Pressure Vessel Code, Section VIII, Division 1.

Submittals

General: Submittals shall demonstrate compliance with technical requirements by reference to each subsection of this specification. Where a submitted item does not *comply fully* with each and every requirement of the Specifications, the submittal shall clearly indicate such deviations. Identification requirements for non-complying features of items are very specific.

Manufacturer's Data: Submit manufacturer's product data, including rated capacities, weights (shipping, installed, and operating), furnished specialties and accessories, and installation and start-up instructions.

Part 2 Products

Water-Cooled Chillers

Description: Packaged, factory-assembled, hermetic or open-drive type high or medium pressure water chillers consisting of centrifugal or rotary screw compressor(s), compressor motor(s), motor starter(s), evaporator, condenser, controls and panels including gages and indicating lights, auxiliary components, and accessories.

Centrifugal Compressor(s):

Provide single or dual single-stage centrifugal compressors with capacity, peak power input, and ILPC as scheduled.

Shaft and Impeller Assembly: Carbon or forged steel shaft with cast high strength aluminum alloy impellers, designed and assembled for no critical speeds within operating range; and statically and dynamically balanced.

Casing: Fine grain cast iron with gasket sealed casing joints.

Drive Assembly: Gear transmission integral with compressor and lubricated through compressor lubrication system.

Lubrication System: Forced circulation type, with positive displacement submerged pump and replaceable oil filter; complete with an automatic oil heater designed to separate refrigerant from oil, and oil cooler if required for proper performance. System shall provide positive pressure lubrication of journals, bearings and seals (if any), during start-up, operation, and coast-down of chiller, including power interruptions. On two compressor units provide redundant oil pump.

Capacity Control: Provide variable guide vanes to provide stable operation without surge, cavitation, or vibration from 100 to 15% of full load capacity, without hot-gas bypass.

Rotary Screw Compressor(s):

General: Compressor shall be rotary twin screw type operating at not more than 3750 rpm.

Construction: Casing shall be fine grain cast iron with gasket-sealed casing joints, machined to provide minimum, uniform clearance for the rotors. Rotors shall be forged steel with asymmetric profiles. Provide bearings

to adequately contain both radial and axial loading and maintain accurate rotor positioning at all pressure ratios. Provide check valve on compressor discharge to prevent rotor backspin.

Open-Drive Shaft Seal: Spring loaded, precision carbon ring, high temperature elastomer “O” ring static seal, and stress-relieved, precision lapped collars. The entire shaft seal cavity shall be at low pressure, and shall be vented to the oil drain from the compressor.

Lubrication System: Provide oil separator on discharge of compressor to provide minimum 99% separation prior to refrigerant entering condenser. Main oil reservoir shall be located so as to provide gravity lubrication of rotor and rotor bearings during start-up and coast-down; system differential pressure shall provide proper oil flow during normal operation.

Capacity Control: Achieve by use of a slide valve, which shall provide fully modulating capacity control from 100% to 10% of full load. The slide valve shall be actuated by oil pressure, controlled by external solenoid valves via the chiller integral controls.

Compressor Motor(s):

Motor and Accessories (Hermetic Type): Hermetically sealed, continuous duty, single speed, squirrel cage, induction type; full load operation of the motor shall not exceed nameplate rating; rotor shaft shall be heat treated carbon steel and designed such that the first critical speed is well above the operating speed. Provide for removal of the stator for service or replacement without breaking the main refrigerant piping connections.

Motor and Accessories (Open-Drive Type): Two-pole, continuous duty, squirrel cage induction type, and shall have an open drip-proof enclosure. Motor full-load amperes at design conditions shall not exceed motor nameplate (FLA). Motor shall be designed for use with the type starter specified. Motor shall be factory mounted and directly supported by the compressor in providing controlled alignment.

Compressor Motor Starter(s): Provide unit-mounted or free-standing factory-wired starters. All power and control conductors between starters and other chiller components, whether unit mounted or free standing, shall be sized, furnished, and installed, complete and ready for operation. *Starter shall incorporate a single point for chiller power connection. All chiller heaters, pumps, control circuits, and other miscellaneous items and accessories shall be supplied directly from the starter without dependence on external power from other sources.* Where ancillary items require a different supply voltage from the chiller motor, a suitable transformer(s) and appropriate wiring shall be provided

as a part of the chiller starter to supply these items. Starter shall be reduced voltage, either closed transition wye-delta or solid-state type. Starter shall be non-reversing, enclosed in a suitable NEMA-1 enclosure, and shall have as a minimum the following features:

Self-contained disconnecting means to disconnect all power sources from the chiller and related accessories.

Electronic internal self-contained monitor system to protect against 3-phase and single phase overloads during running and starting, loss of phase, phase reversal, phase unbalance voltage or current, overvoltage, and undervoltage.

A total run-time meter mounted on the starter door.

An electronic metering module mounted on the starter door providing the following instantaneous, demand, and energy information:

Instantaneous: Digital readings of line and phase voltages, line and phase currents, total Watts, total VARS, total kVA, power factor, and line frequency.

Demand: Digital readings of line and phase currents, and total Watts.

Energy: Digital readings of accumulated Watthours and accumulated VAR-hours.

Evaporator and Condenser:

Shell and Water Boxes: Fabricated from welded carbon steel plate. Provide 150 psig maximum working pressure water boxes and nozzle connections. Provide vents, drains, and covers in water boxes to permit tube cleaning within the space shown on the Drawings. Provide suitable tappings in the water boxes and nozzles for control sensors, gages, and thermometers.

Water Heads: Fabricated steel water heads with integral water connections.

Tube Sheets: Fabricated of carbon steel sheets welded to the shell and drilled for tubes. Include intermediate tube support sheets as required to prevent tube vibration.

Tubes: Individually replaceable, finned, seamless copper tubes; removable from either end of the heat exchanger without effecting strength and durability of the tube sheets and without causing leakage in adjacent tubes. Expand ends of tubes in tube sheets and intermediate tube support sheets for tight fit to prevent vibration of tubes. Provide suitable baffles or distributing plates in condenser tubes to evenly distribute refrigerant discharge gas on heat transfer tubes.

Pressure Limiting and Pressure Relief Devices: Manufacturer's standard complying with ASHRAE 15. Provide refrigerant charging and transfer connections, pressure relief device on the evaporator to prevent excessive pressure in refrigerant side, and means to sense refrigerant pressure or temperature. Pressure relief valve shall close once pressure is reduced below setpoint pressure.

Accessories:

Pump-out System: Include compressor and drive, piping, wiring, motor starter, and manual isolation valves so that entire refrigerant charge can be contained and isolated in either condenser or evaporator, as required. Where multiple chillers of the same type and utilizing the same refrigerant are provided, a single portable pump-out unit may be provided in lieu of individual units with each chiller.

Refrigerants: Package shall utilize R-22, R-134a, or R-410a.

Controls and Safeties:

Refrigerant Flow Control Devices: Provide refrigerant flow control devices between evaporator and condensers (and elsewhere as required) to regulate refrigerant flow at volume and pressure required to maintain evaporator liquid refrigerant at level sufficient to keep cooler heat transfer tubes adequately wetted through full range of chiller operation.

Design devices to permit chiller operation at scheduled conditions, and to allow condenser entering water temperature to decrease to minimum permissible temperature or 1°F above return chilled water temperature.

Safety Controls: Design cutouts to operate independently and factory wire to control panel. Design controls to stop compressor motor in event of low refrigerant pressure or temperature in evaporator, high condenser pressure, high compressor discharge temperature, low evaporator leaving water temperature (freezestat), high motor temperature, high bearing temperature, low oil pressure, high oil temperature, compressor motor overcurrent or over voltage, or power interruption. Design each cutout to require manual restarting of compressor in event of safety failure *but allowing automatic restart after power interruption*. Provide anti-recycle timer for limiting compressor motor restarts at scheduled time intervals. Provide normally closed dry contact to indicate "chiller failure," connected to building control system, that opens in event of *any* safety control activation.

Operational Controls: Provide controls to ensure that compressor will start only under unloaded condition.

Provide sequencing controls to ensure lubrication of compressor motor bearings and seals (if any). Sequence as follows:

1. Run lubrication system oil pump so that compressor motor bearing is lubricated before start-up.
2. Start compressor motor.
3. Provide lubrication during coast-down after compressor motor shutdown.

Design controls to automatically restart compressor after power failure interruptions, provided minimum time between starts has been complied with.

Control Panel: Factory-mounted and wired. Provide gages or meters to indicate low refrigerant pressure in evaporator, high condenser pressure, and low oil pressure.

Provide switches and pushbuttons designed to permit indicated operations including the following:

Manual and automatic operation of oil pump.

Manual and automatic operation of oil separator heater.

Provide pilot lights or visual flag switches for indicated operations and cutouts including the following:

Oil pump operation

Low chilled water temperature cutout

Low evaporator refrigerant pressure or temperature cutout

High condenser pressure cutout

High motor winding temperature cutout

Low oil pressure cutout

Motor overload cutout

Diagnostics: Provide a diagnostic module capable of indicating all lockout conditions specified above, plus recording the elapsed time (prealarm to alarm), the operating conditions of the compressor motor (amperes), refrigerant temperatures and pressures, and chilled and condenser water temperatures (entering and leaving) at the time of lockout.

DDC Interface: Where a direct digital control system is provided, the chiller control panel shall include necessary additional input/output devices to allow interface to the DDC system, as follows:

4-20ma AI for CHWS temperature monitoring

4-20ma AI for CHWR temperature monitoring

4-20ma AI for CDWS temperature monitoring

4-20ma AI for CDWR temperature monitoring

4-20ma AO for CHWS temperature control (setpoint)

4-20ma AO for chiller loading control. Provide adjustable control device to decrease compressor motor power when power demand reaches selected percentage of full load power demand, adjustable from 40 to 100% continuously. Design mechanism to control operation by monitoring motor amperage and modulating inlet vanes. Provide interface to accept exterior 4-20 mA control signal for set-point adjustment from building control system.

Contact closure DI for chiller alarm

Insulation: Insulate evaporators and all other cold surfaces to prevent condensation, with ambient humidity of 75 percent and drybulb temperature of 90 deg. F, no air movement.

Outdoor Air-Cooled Chillers

General: Provide factory-assembled and tested multi-compressor outdoor air-cooled liquid chillers as indicated, consisting of at least two compressors, evaporator, condensers, thermal expansion valves, and control panels. Provide capacity and electrical characteristics as scheduled.

Refrigerant: Provide full operating charge of R-22, R-410a, or R-134A refrigerant and oil.

Housing: Provide manufacturer's standard equipment housing construction, corrosion protection coating, and exterior finish. Provide removable panels and/or access doors for inspection and access to internal parts and components.

Evaporator: Provide shell-and-tube design with seamless copper tubes roller expanded into tube sheets. Design, test, and stamp for refrigerant side working pressure of 225 PSIG minimum, and water side working pressure of 150 PSIG minimum, in accordance with ASME Pressure Vessel Code. Provide one water pass with series of internal baffles. Insulate with 1/2" minimum flexible unicellular insulation with maximum K-value of 0.28. Provide water drain connection and bulb wells for temperature controller and low-temperature cutout.

Heater Tapes: Provide electrical resistance heater tape on evaporator to protect against freezing at 20°F (29°C) ambient at no-flow condition.

Multiple-Compressor Units: Provide independent multiple refrigerant circuits with gasketed evaporator heads.

Condenser: Construct coils with configured aluminum fins mechanically bonded to seamless copper tubing. Provide integral subcooling circuit with liquid accumulators. Leak test coils with air under water at 425 PSIG air pressure. Provide protective grilles over exposed coil faces.

Multiple-Compressor Units: Provide multiple circuited condenser coils.

Condenser Fans: Provide propeller fans, direct or belt driven, draw-through design, statically and dynamically balanced. Provide protective grille over air discharge.

Low-Ambient Control: Provide head pressure control, designed to operate at temperatures down to 0°F (18°C).

Rotary Screw Compressor(s):

General: Compressor shall be rotary twin screw type operating at not more than 3750 rpm.

Construction: Casing shall be fine grain cast iron with gasket-sealed casing joints, machined to provide minimum, uniform clearance for the rotors. Rotors shall be forged steel with asymmetric profiles. Provide bearings to adequately contain both radial and axial loadings and maintain accurate rotor positioning at all pressure ratios. Provide check valve on compressor discharge to prevent rotor backspin.

Open-Drive Shaft Seal: Spring loaded, precision carbon ring, high temperature elastomer “O” ring static seal, and stress-relieved, precision lapped collars. The entire shaft seal cavity shall be at low pressure, and shall be vented to the oil drain from the compressor.

Lubrication System: Provide oil separator on discharge of compressor to provide minimum 99% separation prior to refrigerant entering condenser. Main oil reservoir shall be located so as to provide gravity lubrication of rotor and rotor bearings during start-up and coast-down; system differential pressure shall provide proper oil flow during normal operation.

Capacity Control: Achieve by use of a slide valve, which shall provide fully modulating capacity control from 100% to 10% of full load. The slide valve shall be actuated by oil pressure, controlled by external solenoid valves via the chiller integral controls.

Refrigerant Circuit: Provide for each refrigerant circuit the following:

- Liquid line solenoid valve
- Filter dryer
- Liquid line sight glass
- Thermal expansion valve
- Insulated suction line
- Suction and discharge valves

Controls Panels: Provide weathertight control panels, factory-wired for external connection only. Provide the following controls:

- Across-the-line starters
- Power controls for starter
- Control power transformer for 115 V control voltage
- Terminal strip
- Pumpdown control relay
- Compressor starter relay
- Reset relay
- Nonrecycling compressor overload relay
- High-pressure cutout
- Low-pressure cutout
- Oil pressure cutout, except for low oil pressure compressor systems
- Low-temperature cutout
- Chilled water temperature controller

Accessories: Provide the following accessories:

- Vaporproof chilled water flow switch
- Suction and discharge gages, for each compressor
- Oil pressure gages except for hermetic compressors
- Spring vibration isolators

Part 3 Execution

Installation of Chillers

General: Install chillers in accordance with manufacturer's written instructions. Install units plumb and level, firmly anchored in locations indicated; maintain manufacturer's recommended clearances.

Relief Piping: Provide relief piping from indoor water-cooled chiller refrigerant pressure relief rupture disc to atmosphere; size piping as recommended by chiller manufacturer, and terminate with gooseneck facing down.

Include Factory Performance Test *Only* when Required

Factory Performance Test

General: Manufacturer shall conduct witnessed performance acceptance test for each typical machine to verify the performance submitted. The test will be in accordance with ARI 550/590-98 with the following exceptions:

- Capacity will have no tolerances. Capacity must meet or better required tonnage.
- Heat balance must be verified at 3% or below during test conditions.

Test Site: Test shall be conducted at an approved ARI Certified Test Facility of Manufacturer's factory. Instrumentation used for testing must be calibrated within 6 months of the test date and traceable to the National Bureau of Standards. All documentation verifying NBS traceability shall be included in a bound folder for presentation to the Owner's representative. The Owner's representative may elect to contact ARI for verification of performance and test conditions.

Test Conditions for Fouling Factor Adjustment: Chiller shall be tested with water temperature and adjustment cooler/condenser per standard ARI 550-90 to simulate specified fouling vs. no fouling during test. Verification of this procedure will require inside surface area and number of tubes per vessel. This information is to be submitted prior to the test for formula verification of fouling per ARI 550-90 if so requested by Engineer.

Test Points: Performance test shall be a four point test, 25, 50, 75, and 100% load.

Performance Penalty Clause: The chiller will be accepted if the test indicates that all conditions of the performance test meet the specified conditions. If the performance test results are outside of specified tolerances, the manufacturer will be allowed to make repairs and retest; and the manufacturer will assume all expenses incurred for the Owner's representatives to witness the retest.

If after the second test the machines do not meet the test requirements, then an energy cost penalty, of \$4000 per kW above test requirements, will be deducted from the manufacturer's contract. In the case of an ARI Certified Performance chiller, ARI will be notified of any test failures. If there is more than one typical machine, the energy penalty will be the penalty of the tested machine times the number of typical machines on the project. The total energy penalty will be sum of all machines on the project whether tested or typical.

Demonstration

Start-up chillers, in accordance with manufacturer's start-up instructions, and provide the service of a factory authorized service representative to provide start-up service and to demonstrate and train the Owner's maintenance personnel as specified below. Evacuate, dehydrate, and charge with specified refrigerant, and leak test in accordance with manufacturer's instructions. Perform lubrication service, including filling of reservoirs, and confirming that lubricant is of quantity and type recommended by manufacturer. Test controls and demonstrate compliance with requirements. Replace damaged, or malfunctioning, controls and equipment and retest.

Do not place chillers in sustained operation prior to initial balancing of mechanical systems which interface with the reciprocating chillers.

Training: Train the Owner's maintenance personnel on start-up and shut down procedures, troubleshooting procedures, and servicing and preventive maintenance schedules and procedures. Review with the Owner's personnel, the data contained in the Operating and Maintenance Manuals.

APPENDIX B3

INDUCED DRAFT COOLING TOWERS, CROSSFLOW OR COUNTERFLOW, FACTORY-ASSEMBLED

Part 1—General

Quality Assurance

Provide Cooling Technology Institute (CTI) certification of tower cooling capacity, based on performance tests, in accordance with CTI Standard 201.

Manufacturer Guarantee: Provide written manufacturer guarantee that the tower will perform in complete compliance with performance requirements, provided the tower is installed in accordance with the manufacturer's written instructions. This guarantee shall include the manufacturer providing in-situ testing of the tower performance in accordance with CTI Standard ATC-105, by a testing agency licensed by CTI, *if required by the designer or owner.*

Codes and Standards:

Testing Laboratory and NEMA Compliance: Provide Listed and Labeled electric motors and electrical components required as part of factory-fabricated cooling towers, which comply with NEMA Standards.

NFPA Compliance: Install cooling towers in accordance with NFPA 70 "National Electrical Code".

Submittals

General: Submittals shall demonstrate compliance with technical requirements by reference to each subsection of this specification. Where a submitted item does not *comply fully* with each and every requirement of the Specifications, the submittal shall clearly indicate such deviations.

Manufacturer's Data:

Submit manufacturer's technical product data, including rated capacities, pressure drop, fan performance data, weights (shipping, installed, and operating), and installation and start-up instructions.

Submit CTI performance certification.

Part 2—Products

General: Cooling tower shall be a complete factory-assembled, totally noncombustible unit.

Structure: Structure shall be steel with galvanized finish consisting of minimum 2.35 oz per square foot of surface area. Assemble structural system, including basin and casings, by providing bolted connections with fasteners having equal or better corrosion-resistance than the materials fastened. Seal joints to make watertight enclosure.

Certify tower structure for wind loading caused by 100 mph wind from any direction.

Provide rigging supports on structure for final rigging.

Casing: Provide fiberglass-reinforced polyester or minimum 22 ga. steel panels with galvanized finish of minimum 2.35 oz of zinc per square foot of surface area and fabricated to make tower watertight.

Basin:

Basin shall be constructed of minimum 20 ga. stainless steel, designed and fabricated to contain and support the water and ensure water tightness:

Provide integral type collecting basin and sump with side outlet and with connections for drain, overflow and water make-up. Drain connection and basin operating level shall be designed to prevent vortexing and air entrainment.

Wetted-Surface (Film) Fill: Provide vertical sheets of PVC or CPVC plastic having flame spread rating of 5 in accordance with ASTM E84 and fabricated into wave-formed configurations installed by manufacturer to assure maximum wetted heat transfer surface.

Drift Eliminators: Provide PVC or CPVC plastic having flame spread rating of 5 in accordance with ASTM E84, which is fabricated into configuration to limit drift loss to a maximum of 0.1% of the condenser water flow-rate. Drift eliminators may be integral with the fill.

Louvers: Provide fiberglass reinforced plastic or polyvinyl chloride plastic of sufficient thickness and rigidity to prevent visible sagging or fluttering.

Wet Deck Water Distribution:

Cross-flow Tower: Provide stainless steel open basin with gravity-flow plastic metering orifices providing even distribution of water over fill. Provide flow control valves for balancing flow to each distribution basin where multiple inlets are required. Provide removable fiberglass-

reinforced polyester panels to prevent debris from entering the wet deck and to inhibit algae growth by eliminating sunlight.

Counter-flow Tower: Provide the to ensure even distribution of water over wetted-surface-fill.

Schedule 40 PVC pipe header and removable schedule 40 PVC pipe branches.

Nozzles: Provide removable plastic, brass, or ceramic nozzles with a maximum 12 psig inlet pressure required.

Inlet Screens: Provide stainless steel mesh, mounted in removable frames by manufacturer.

Select One of the Following Types of Basin Heaters

Basin Heaters: Provide steam injection heaters, with 2-position steam control valve and thermostat set at 40°F.

Provide basin heaters sized by manufacturer to maintain basin water at 40°F at ambient temperature of 0°F and wind velocity of 15 mph.

Basin Heater: Equivalent to Penberthy Model NWK, minimum 20 psig steam pressure rating.

Basin Heaters: Provide electric immersion heaters including thermostat, low-water cutout contactor, and transformers, in weatherproof enclosure.

Provide basin heaters sized by manufacturer to maintain basin water at 40°F at ambient temperature of 0°F and wind velocity of 15 mph.

Basin Heater: Screw-plug type, 2-1/2 inch pipe thread, electric immersion heater. Heaters specified for 3-phase service shall be provided with necessary contactors. Heater element shall be copper sheathed, brazed to brass screw plugs. Multiple heaters shall be provided, wired in parallel, as required to meet indicated capacity. Heater shall be equivalent to Chromolox Type ARMT.

Select One of the Following Methods of Basin Water Level Control

Float Valve Water Level Control: Provide float-activated make-up water valve. Float shall be fully adjustable as to depth control and angle to provide tight shutoff. Set-screw adjustments are not acceptable.

Electronic Water Level Control: Provide electric water level control package including conductance-actuated level controller and slow closing solenoid make-up valve. Level control shall provide for independently adjustable high operating level to close make-up water valve and low operating level to open make-up

water valve. Additional alarm contacts for high water and low water levels shall be provided.

Fan and Drive: Provide propeller fan with cast-aluminum adjustable pitch blades driven by one of the following methods. Fan shall be statically and dynamically balanced and hub shall be keyed to ground and polished steel shaft:

Gear Drive: Provide right angle, industrial duty, oil-lubricated geared speed reducer with shafts to connect motor and fan. Gear drive shall be selected in accordance with American Gear Manufacturers Association Standard 420 for continuous duty with minimum 1.5 service factor. Gear bearings shall be heavy duty grease lubricated ball or roller bearings with a “Basic Rating Life”, L_{10} , as defined by the American Bearing Manufacturers Association, of at least 100,000 hours at maximum operating speed and horsepower

Belt drive: Provide cast aluminum fan and motor sheaves with 1-piece multi-groove neoprene/polyester drive belt.

Fan Bearings: Bearings shall be “air handling quality” heavy duty grease lubricated ball or roller bearings with a “Basic Rating Life”, L_{10} , as defined by the American Bearing Manufacturers Association, of at least 100,000 hours at maximum operating speed and horsepower.

Motor: Provide two-speed, one-winding, motor rated at 1800/900 rpm. Motor located in the tower air stream may be TEAO type, while motor located out of the tower air stream shall be TEFC type. ODP motors are unacceptable.

Vibration Cutout Switch: Provide switch to de-energize fan motors if excessive vibration occurs due to fan imbalance.

Service Access:

Cross-flow Tower: Provide minimum 24" wide by 30" high access doors on both end walls to provide access to basin, fan plenum, motor, drive, and fill. Provide minimum 18" wide galvanized steel grated walkway across the tower above the basin overflow level. If the tower is installed so that the bottom of the access door is more than 5' – 0" above the roof or grade, provide an access door platform on each side with ladder rigidly attached to the tower.

Top of Tower Handrail and Ladder: Where scheduled on the drawings, provide top of tower galvanized steel structural tubing handrail, complete with knee rail and toeboard, constructed in accordance with OSHA guidelines. Provide ladder from roof or grade to top of tower. Provide ladder safety cage if the top of tower is 20' – 0" of greater above grade or roof.

Apply phosphatized pretreatment on any zinc-coated surfaces that have not been mill-phosphatized or polymer-coated. Apply gasoline-soluble rust preventive compound on ferrous parts that cannot be galvanized, including shafts and machined parts.

Finish components with zinc-coated metal surfaces by applying to metal surfaces not galvanized, a zinc rich paint that has been tested and accepted by a testing laboratory as being equivalent to galvanized steel.

Part 3—Execution

Installation

General: Install cooling towers where indicated, in accordance with equipment manufacturer's written instructions and with recognized industry practices, to ensure that cooling towers comply with requirements and serve intended purposes.

Support: Install cooling tower on structural supports as indicated on the drawings. Anchor cooling tower to stand with removable fasteners. Tower shall be installed level. Where multiple tower cells are indicated, the entire tower assembly shall be leveled end-to-end within 0.25".

Electrical: Provide fan motor disconnect switch in NEMA 3R enclosure rigidly attached to the cooling tower and located immediately adjacent to the primary access door. Provide service clearance required by NFPA 70.

Start-Up

Condenser Water System Start-Up: Comply with all manufacturer instructions for filling and start-up of the condenser water system, but not less than the following:

Condenser Water Pump

1. Check pump installation, including mountings, vibration isolators and connectors, and piping specialties (valves, strainer, pressure gauges, thermometers, etc.)
2. Check pump shaft and coupling alignment.
3. Lubricate pump shaft bearings as required by the manufacturer.
4. Lubricate motor shaft bearings as required by the manufacturer.
5. Turn shaft by hand to make sure the pump and motor turn freely.
6. "Bump" the motor on and check for proper rotation direction.

Cooling Tower

1. Clean all tower surfaces, flush and clean the wet deck and basin.

2. Clean the basin strainer
3. Lubricate fan shaft bearings as required by the manufacturer.
4. Lubricate motor shaft bearings as required by the manufacturer.
5. Test and adjust belt drive (if installed):
 - Adjust belt(s) tension.
 - Check and adjust belt(s) alignment.
6. Test and adjust gear drive (if installed):
 - Fill oil reservoir.
 - Check shaft alignment
 - Check couplings for bolt tightness, excess play, etc.
7. Turn shaft by hand to make sure fan and drive turn freely.
8. “Bump” motor(s) on and check fan(s) for correct rotation.
9. Run fan(s) for a short period and check for unusual noises and/or vibration. Verify that motor amps are in accordance with manufacturer’s data.
10. Confirm that the condenser water piping has been flushed and chemically cleaned.
11. Fill the basin and piping to the manufacturer’s recommended basin operating level.
12. Run condenser water pump for a short period:
 - Verify that pump motor amps are within motor nameplate rating.
 - Test the wet deck distribution, fill, and basin for proper water flow.
 - Check basin for vortexing.
13. Test basin freeze protection thermostat and heater.
14. For multi-cell installations:
 - Ensure that automatic isolation valves function properly.
 - Balance condenser water flow to and from each cell.
15. Balance equalizer line to maintain proper basin operating level in each cell.
16. Place tower fan and condenser water motor starters in “automatic” position.

Controls

1. Check that all temperature sensors are properly installed.
2. Test operation of bypass control valve and adjust for 70-degree rotation.
3. Check controller set-point.
4. Test fan control relays for proper functioning.
5. Test VFD (if installed) for proper operation.
6. Test operation of vibration cutout switch.
7. Test operation of basin level controls, including high and low level alarms.

8. Place controls in operation.

Water Treatment

1. Check that all pH and/or conductivity probes are properly installed.
2. Test operation of blowdown solenoid valve.
3. Place water treatment equipment in operation.

Operate the condenser water system to maintain set-point temperature under its automatic controls for at least 24 hours. All aspects of condenser water pump, cooling tower, controls, and water treatment shall be checked and evaluated frequently during this period and any unusual noises or vibration, erratic performance or operation, or other problems shall be repaired before being placed into fulltime service.

Train the Owner's maintenance personnel on start-up and shutdown procedures, troubleshooting procedures, and servicing and preventive maintenance schedules and procedures. Review with the Owner's personnel the data contained in the Operating and Maintenance Manuals.

APPENDIX B4

FORCED DRAFT COOLING TOWERS, CROSS-FLOW OR COUNTER-FLOW, FACTORY-ASSEMBLED

Part 1—General

Quality Assurance

Provide Cooling Technology Institute (CTI) certification of tower cooling capacity, based on performance tests, in accordance with CTI Standard 201.

Manufacturer Guarantee: Provide written manufacturer guarantee that the tower will perform in complete compliance with performance requirements, provided the tower is installed in accordance with the manufacturer's written instructions. This guarantee shall include the manufacturer providing in-situ testing of the tower performance in accordance with CTI Standard ATC-105, by a testing agency licensed by CTI, *if required by the designer or owner.*

Codes and Standards:

Testing Laboratory and NEMA Compliance: Provide Listed and Labeled electric motors and electrical components required as part of factory-fabricated cooling towers, which comply with NEMA Standards.

NFPA Compliance: Install cooling towers in accordance with NFPA 70 “National Electrical Code”.

Submittals

General: Submittals shall demonstrate compliance with technical requirements by reference to each subsection of this specification. Where a submitted item does not *comply fully* with each and every requirement of the Specifications, the submittal shall clearly indicate such deviations.

Manufacturer’s Data:

Submit manufacturer’s technical product data, including rated capacities, pressure drop, fan performance data, weights (shipping, installed, and operating), and installation and start-up instructions.

Submit CTI performance certification.

Part 2—Products

General: Cooling tower shall be a complete factory-assembled, totally noncombustible unit.

Structure: Structure shall be steel with galvanized finish consisting of minimum 2.35 oz per square foot of surface area or extruded PVC. Assemble structural system, including basin and casings, by providing bolted connections with fasteners having equal or better corrosion-resistance than the materials fastened. Seal joints to make watertight enclosure.

Certify tower structure for wind loading caused by 100 mph wind from any direction.

Provide rigging supports on structure for final rigging.

Casing: Provide fiberglass-reinforced polyester or minimum 22 ga. steel panels with galvanized finish of minimum 2.35 oz of zinc per square foot of surface area and fabricated to make tower watertight.

Basin:

Cross-flow tower basin shall be constructed of minimum 20 ga. stainless steel, designed and fabricated to contain and support the water and ensure water tightness. Provide integral type collecting basin and sump with side outlet and with connections for drain, overflow and water make-up. Drain connection and basin operating level shall be designed to prevent vortexing and air entrainment.

Counter-flow tower basin shall be one of the following, as applicable:

Basin constructed of minimum 20 ga. stainless steel, designed and fabricated to contain and support the water and ensure water tightness. Provide integral type collecting basin and sump with side outlet and with connections for drain, overflow and water make-up. Drain connection and basin operating level shall be designed to prevent vortexing and air entrainment.

Water collection system and one or more exterior sumps designed to collect and contain the tower cold water. These components shall be constructed of stainless steel, fiberglass reinforced plastic, or other non-corrosive material.

Wetted-Surface (Film) Fill: Provide vertical sheets of PVC or CPVC plastic having flame spread rating of 5 in accordance with ASTM E84 and fabricated into wave-formed configurations installed by manufacturer to assure maximum wetted heat transfer surface.

Drift Eliminators: Provide PVC or CPVC plastic having flame spread rating of 5 in accordance with ASTM E84, which is fabricated into configuration to limit drift loss to a maximum of 0.1% of the condenser water flow-rate. Drift eliminators may be integral with the fill.

Wet Deck Water Distribution:

Cross-flow Tower: Provide stainless steel open basin with gravity-flow plastic metering orifices providing even distribution of water over fill. Provide flow control valves for balancing flow to each distribution basin where multiple inlets are required. Provide removable fiberglass-reinforced polyester panels to prevent debris from entering the wet deck and to inhibit algae growth by eliminating sunlight.

Counter-flow Tower: Provide following the to ensure even distribution of water over wetted-surface-fill.

Schedule 40 PVC pipe header and removable schedule 40 PVC pipe branches.

Nozzles: Provide removable plastic, brass, or ceramic nozzles with a maximum 12 psig inlet pressure required.

Inlet Screens: Provide stainless steel mesh, mounted in removable frames by manufacturer.

Select One of the Following Types of Basin Heaters

Basin Heaters: Provide steam injection heaters with 2-position steam control valve and thermostat set at 40°F.

Provide basin heaters sized by manufacturer to maintain basin water at 40°F at ambient temperature of 0°F and wind velocity of 15 mph.

Basin Heater: Equivalent to Penberthy Model NWK, minimum 20 psig steam pressure rating.

Basin Heaters: Provide electric immersion heaters including thermostat, low-water cutout contactor, and transformers, in weatherproof enclosure.

Provide basin heaters sized by manufacturer to maintain basin water at 40°F at ambient temperature of 0°F and wind velocity of 15 mph.

Basin Heater: Screw-plug type, 2-1/2 inch pipe thread, electric immersion heater. Heaters specified for 3-phase service shall be provided with necessary contactors. Heater element shall be copper sheathed, brazed to brass screw plugs. Multiple heaters shall be provided, wired in parallel, as required to meet indicated capacity. Heater shall be equivalent to Chromolox Type ARMT.

Select One of the Following Methods of Basin Water Level Control

Float Valve Water Level Control: Provide float-activated make-up water valve. Float shall be fully adjustable as to depth control and angle to provide tight shutoff. Set-screw adjustments are not acceptable.

Electronic Water Level Control: Provide electric water level control package including conductance-actuated level controller and slow closing solenoid make-up valve. Level control shall provide for independently adjustable high operating level to close make-up water valve and low operating level to open make-up water valve. Additional alarm contacts for high water and low water levels shall be provided.

Fans and Drives: Provide propeller fans with cast-aluminum hub and aluminum or fiberglass reinforced plastic blades driven by one of the following methods. Fan shall be statically and dynamically balanced and hub shall be keyed to ground and polished steel shaft:

Direct Drive: Provide keyed, flexible coupling to connect motor shaft to fan shaft.

Belt drive: Provide cast aluminum fan and motor sheaves with 1-piece multi-groove neoprene/polyester drive belt.

Fan Bearings: Bearings shall be “air handling quality” heavy duty grease lubricated ball or roller bearings with a “Basic Rating Life”, L_{10} , as defined by the

American Bearing Manufacturers Association, of at least 100,000 hours at maximum operating speed and horsepower.

Motors: Provide two-speed, one-winding, motor(s) rated at 1800/900 rpm. Motor located in the tower air stream may be TEAO type, while motor located out of the tower air stream shall be TEFC type. ODP motors are unacceptable.

Vibration Cutout Switch: Provide switch to de-energize fan motors if excessive vibration occurs due to fan imbalance.

Service Access:

Cross-flow Tower: Provide minimum 24" wide by 30" high access doors on both end walls to provide access to basin, fan plenum, motor, drive, and fill. Provide minimum 18" wide galvanized steel grated walkway across the tower above the basin overflow level. If the tower is installed so that the bottom of the access door is more than 5'-0" above the roof or grade, provide an access door platform on each side with ladder rigidly attached to the tower.

Top of Tower Handrail and Ladder: Where scheduled on the drawings, provide top of tower galvanized steel structural tubing handrail, complete with knee rail and toeboard, constructed in accordance with OSHA guidelines. Provide ladder from roof or grade to top of tower. Provide ladder safety cage if the top of tower is 20' - 0' or greater above grade or roof.

Apply phosphatized pretreatment on any zinc-coated surfaces that have not been mill-phosphatized or polymer-coated. Apply gasoline-soluble rust preventive compound on ferrous parts that cannot be galvanized, including shafts and machined parts.

Finish components with zinc-coated metal surfaces by applying to metal surfaces not galvanized, a zinc rich paint that has been tested and accepted by a testing laboratory as being equivalent to galvanized steel.

Part 3—Execution

Installation

General: Install cooling towers where indicated, in accordance with equipment manufacturer's written instructions and with recognized industry practices, to ensure that cooling towers comply with requirements and serve intended purposes.

Support: Install cooling tower on structural supports as indicated on the drawings. Anchor cooling tower to stand with removable fasteners. Tower shall

be installed level. Where multiple tower cells are indicated, the entire tower assembly shall be leveled end-to-end within 0.25".

Electrical: Provide fan motor disconnect switch in NEMA 3R enclosure rigidly attached to the cooling tower and located immediately adjacent to the primary access door. Provide service clearance required by NFPA 70.

Start-Up

Condenser Water System Start-Up: Comply with all manufacturer instructions for filling and start-up of the condenser water system, but not less than the following:

Condenser Water Pump:

1. Check pump installation, including mountings, vibration isolators and connectors, and piping specialties (valves, strainer, pressure gauges, thermometers, etc.)
2. Check pump shaft and coupling alignment.
3. Lubricate pump shaft bearings as required by the manufacturer.
4. Lubricate motor shaft bearings as required by the manufacturer.
5. Turn shaft by hand to make sure the pump and motor turn freely.
6. "Bump" the motor on and check for proper rotation direction.

Cooling Tower

1. Clean all tower surfaces, flush and clean the wet deck and basin.
2. Clean the basin strainer
3. Lubricate fan shaft bearings as required by the manufacturer.
4. Lubricate motor shaft bearings as required by the manufacturer.
5. Test and adjust belt drive (if installed):
 - Adjust belt(s) tension.
 - Check and adjust belt(s) alignment.
6. Test and adjust gear drive (if installed):
 - Fill oil reservoir.
 - Check shaft alignment
 - Check couplings for bolt tightness, excess play, etc.
7. Turn shaft by hand to make sure fan and drive turn freely.
8. "Bump" motor(s) on and check fan(s) for correct rotation.
9. Run fan(s) for a short period and check for unusual noises and/or vibration. Verify that motor amps are in accordance with manufacturer's data.
10. Confirm that the condenser water piping has been flushed and chemically cleaned.

11. Fill the basin and piping to the manufacturer's recommended basin operating level.
12. Run condenser water pump for a short period:
 - Verify that pump motor amps are within motor nameplate rating.
 - Test the wet deck distribution, fill, and basin for proper water flow.
 - Check basin for vortexing.
13. Test basin freeze protection thermostat and heater.
14. For multi-cell installations:
 - Ensure that automatic isolation valves function properly.
 - Balance condenser water flow to and from each cell.
 - Balance equalizer line to maintain proper basin operating level in each cell.
15. Place tower fan and condenser water motor starters in "automatic" position.

Controls

1. Check that all temperature sensors are properly installed.
2. Test operation of bypass control valve and adjust for 70-degree rotation.
3. Check controller setpoint.
4. Test fan control relays for proper functioning.
5. Test VFD (if installed) for proper operation.
6. Test operation of vibration cutout switch.
7. Test operation of basin level controls, including high and low level alarms.
8. Place controls in operation.

Water Treatment

1. Check that all pH and/or conductivity probes are properly installed.
2. Test operation of blowdown solenoid valve.
3. Place water treatment equipment in operation.

Operate the condenser water system to maintain setpoint temperature under its automatic controls for at least 24 hours. All aspects of condenser water pump, cooling tower, controls, and water treatment shall be checked and evaluated frequently during this period and any unusual noises or vibration, erratic performance or operation, or other problems shall be repaired before being placed into fulltime service.

Train the Owner's maintenance personnel on start-up and shutdown procedures, troubleshooting procedures, and servicing and preventive mainten-

ance schedules and procedures. Review with the Owner's personnel the data contained in the Operating and Maintenance Manuals.

APPENDIX C

REFERENCES AND RESOURCES

WATER CHILLERS

Water Chiller General References

- ASHRAE Handbook, Heating, Ventilating, and Air-Conditionings Systems and Equipment. ASHRAE, Chap. 38, 2000.
- ASHRAE Handbook, Refrigeration. ASHRAE, Chaps. 41, 43, 1998.
- Centrifugal Chiller Fundamentals, Application Guide AG 31-002, McQuay Air-Conditioning; McQuay International, 2000.

Refrigerants

- Ozone-Depleting Substances: Position Paper, American Society of Heating, Refrigerating, and Air-Conditioning Engineers. ASHRAE, 2001.

Chiller Performance Factors

- White Paper on ARI Standard 550/590-98; American Refrigeration Institute, 1998.
- System Part Load Value: A Case for Chiller System Optimization Carrier Synopsis, (3), No. 3.
- New ARI Rating Allows More Accurate Chiller-Energy Specification, HVAC&R Engineering Update. York International Corporation, 1998.
- Nowakowski, G.; Busby, R. Advances in Natural Gas Cooling. ASHRAE J. April:47, 2001.

Chiller Configuration and Control

- Off-Design Chiller Performance. Engineers Newsletter 25(5), The Trane Company 1996.
- Asymmetry as a Basis of Design. Engineers Newsletter 28(4), The Trane Company 1999.
- Variable-Primary-Flow Systems. Engineers Newsletter 28(3), The Trane Company 1999.
- Benson, J.W. Designing Chilled Water Systems for the 21st Century. The Trane Company (Semiconductor FabTech, 9th Ed., 1998).
- Coad, W.J. A Fundamental Perspective on Chilled Water Systems; PE (HPAC Interactive www.hpac.com/member/basics/chilled/9808coad.html).

- Bitondo, M.J., Tozzi, M.J. Chiller Plant Control: Multiple Chiller Controls. Carrier Corporation, 1999.
- Chiller-Plant Design in a Deregulated Electric Environment, York International Corporation (HVAC&R Update).
- Chiller Plant Design, Application Guide AG 31-003. McQuay Air-Conditioning, 2001.

Thermal Storage

- Bahnfleth, W.P. Cool Thermal Storage: Is It Still Cool? Heating/Piping/AirConditioning. April, 2002.
- Wulfinghoff, D.R. Measure 2.11.1 Install Cooling Thermal Storage, Energy Efficiency Manual. 1999.
- HVAC: Cool Thermal Storage, Los Angeles Department of Water and Power Energy Advisor Article (www.ladwp.com).
- Hot Technology for Large Cooling Systems, Penn State College of Engineering (www.engr.psu.edu/news/publications).
- Real-Time Pricing and Thermal Energy Storage. EPRI HVAC&R Center Quarterly Newsletter. Winter, 2000.
- Silvetti, B.M. The Application of Thermal Storage in an Unregulated Power Marketplace (www.aeecenter.org/conferencing/backissues/papersil.htm).

Noise and Vibration

- Harris, C.M. Noise Control in Buildings. McGraw-Hill, Inc. 1994.
- Schaffer, M.E. A Practical Guide to Noise and Vibration Control for HVAC Systems. ASHRAE, 1991.

Chiller Installation, Operation, and Maintenance

- Crowther, H.P. Installing Absorption Chillers. ASHRAE J. July 2000.
- Dorgan, P.E., Dorgan, C.E. ASHRAE's New Chiller Heat Recovery Application Guide. ASHRAE Transaction. V., 106, Pt 1, 2000.
- Julian, C. A Screw Compressor and Chiller Service Plan. Contracting Business Interactive (www.contractingbusiness.com).
- Kao, J.Y. Evaluation of GSA Maintenance Practices of Large Centrifugal Chillers and Review of GSA Refrigerant Management Practices, National Institute of Standards and Technology, NISTIR Publication 5336, January 1994.

COOLING TOWERS

Cooling Tower General References

- ASHRAE Handbook, Heating, Ventilating, and Air-Conditionings Systems and Equipment. ASHRAE, 2000, Chap. 36
- Hill, G.B., et al. Cooling Towers: Principles and Practice. 3rd Ed. Butterworth-Heinemann, 1990.

- Davis, D. Cooling Tower Doctor. 1999 (www.ctdoc.com).
- Pannkoke, T. Cooling Tower Basics. Heating/Piping/AirConditioning February 1996.
- Willa, J.L. Evolution of the Cooling Tower, Paper No. TP91-01. Cooling Technology Institute, 1991.
- Katzel, J. Trends in Cooling Towers. Plant Engineering, January 2000.
- Kuharic, I.F. Psychrometrics and the Psychrometer, Paper No. TP81-13. Cooling Technology Institute, 1981.
- Hensley, J.C. Cooling Tower Fundamentals, The Marley Cooling Tower Company. 2nd Ed. 1985.
- Buger, R. Cooling Tower Technology: Maintenance, Upgrading, and Rebuilding. 3rd Ed. The Fairmont Press, 1994.
- Cheremisinoff, N.P., Cheremisinoff, P.N. Cooling Towers: Selection, Design, and Practice. SciTech Publishers, Inc., 1989.
- Sellers, D. Commissioning Cooling Towers. HPAC Engineering February 2002.

Tower Placement and Layout

- Cooling Tower Layout, Electronic Library Documents Nos. 1071, 1074, and 1103. Baltimore Aircoil Company, Baltimore, MD, 1999.
- Equipment Layout Manual, Bulletin 311G. EVAPCO, Inc., Westminster, MD, 1999.

HVAC Systems References

- Stanford, H.W. II, Analysis and Design of Heating, Ventilating, and Air-Conditioning Systems. I. Prentice-Hall, 1988 (ISBN 0-13-033044-2) 2nd Ed, 2000, Unpublished.

Noise and Vibration

- Harris, C.M. Noise Control in Buildings. McGraw-Hill, Inc., 1994.
- Schaffer, M.E. A Practical Guide to Noise and Vibration Control for HVAC Systems. ASHRAE, 1991.
- Gerglund, B., et al. Eds. Guidelines for Community Noise. World Health Organization, 1999.

Controls

- Butterfly Valves. Engineering Data Book, Section Vb2. Johnson Controls, Inc., 1990.
- Engineering Manual of Automatic Control for Commercial Buildings. I-P Ed. Honeywell, Inc., 1997 (LC No. 97-072971).

Water Treatment

- Industrial Water Conditioning. 9th Ed. Betz Dearborn, 1991.
- Meitz, A. Water Treatment for Cooling Towers. Heating/Piping/Air Conditioning January:125–134, 1999.

- Fundamentals of Cooling Water Treatment. Annual Conference 2000 Panel Discussion, Cooling Technology Institute. CTI Journal 22(1):56–74.
- Ruisinger, T.P. Ozonation in Cooling Water Systems. Plant Engineering August, 1996.
- Smithee, B. Cooling Tower Maintenance Improves with Ozone. Facilities Engineering Journal July/August:2000.

Fire Protection

- Standard on Water-Cooling Towers, NFPA 214, National Fire Protection Association, Boston, 2000.

Index

- Absorber, 20
- Absorption (*see* Refrigeration, *see* Water chillers)
- Adjustable speed drives (*see* Variable frequency drives)
- Air-Conditioning and Refrigeration Institute (ARI)
 - Standard 530/590–98, 37
 - Standard 570, 88
- American Society of Heating, Refrigerating, and Air-Conditioning Engineers (ASHRAE)
 - Standard 15, 37
 - Standard 34–1989, 6
 - Standard 90.1–1999, 38
- American Society of Mechanical Engineers (ASME)
 - Boiler and Pressure Vessel Code*, 37
- Ammonia (*see* Refrigerants)
- Chilled water
 - approach, 9
- brine, 10
- expansion and air removal,
 - 50–52
 - air cushion expansion tank, 50, 51
 - inline tangential air separator, 50, 53
- flow rate, 8
- HVAC applications, 6–8
- maintenance, 51
- pipng, 48–50
 - bridge, 28
 - copper, 49
 - ductile/cast iron, 49
 - insulation, 49–50
 - PVC/CPVC, 49
 - steel, 48
- pumps (*see* Pumps)
- range, 8, 10
- storage (*see* Thermal storage)
- supply temperature, 8–10
 - apparatus dewpoint temperature (ADP), 9
- system configuration, 24–32

- parallel chillers, 26–32
- primary–secondary distribution, 28–29
- series chillers, 25–26
- single chiller, 24
- variable primary distribution, 30–32
- water treatment (*see* Water treatment)
- Chiller (*see* Water chiller)
- Coefficient of performance (COP), 15, 17, 20, 22
- Compression (*see* Vapor compression cycle)
- Compressor (*see* Refrigeration, compressor)
- Condenser, 2, 3, 116
- Condenser water
 - flow rate, 115, 124, 125
 - heat rejection, 115, 154–155
 - pipng, 116, 166–168
 - pumps (*see* Pumps)
 - range, 115, 119, 125, 153–154
 - water treatment (*see* Water treatment)
- Control
 - chilled water system, 62–70
 - capacity, 63–65
 - refrigerant flow, 63
 - sequencing multiple chillers, 65, 67
 - chiller start/stop, 62–63
 - constant flow, 65–66
 - pump operation, 68–70
 - supply water temperature reset, 67
 - variable flow, 66–70
 - cooling coil heat transfer, 68–69
 - equal percentage control valve, 69
 - logarithmic mean temperature difference (LMTD), 68
 - pump speed control, 70
 - variable-primary minimum flow, 70
- condenser water system
 - capacity, 183–190
 - fan cycling, 184–186
 - fan speed control, 186–187
 - tower staging, 189–190
 - cooling tower start/stop, 179–183
 - bypass valve, 180–183
 - pump operation, 179
- make-up water
 - electronic level control, 190
 - mechanical float valve, 190
 - safety vibration switch, 190
- Cooler (*see* Evaporator)
- Cooling load, 33–36
 - load profile, 34–36
 - peak load, 33
- Cooling Technology Institute (CTI)
 - performance guarantee, 240, 241
 - Standard 114, 132
 - Standard 119, 132
 - Standard 201, 240
- Cooling towers
 - application, 155–158
 - multiple towers or cells, 155–158
 - single tower, 155
 - approach, 118
 - basin, 117, 136
 - “bottle” cooling tower, 135
 - capacity, 120–122
 - casing, 135
 - configuration, 125–128
 - counterflow, 127, 147, 152
 - counterflow vs. crossflow, 150–151
 - crossflow, 127, 147, 152
 - venturi, 127–128
 - control (*see* Controls)
 - draft
 - mechanical, 118, 151–152
 - forced, 118, 127, 147, 152
 - induced, 118, 127, 147, 152
 - drift eliminators, 117, 136
 - drives (*see* Cooling towers, mechanical drives)
 - elements, 116–118
 - economizer cycle (*see* Waterside economizer cycle)
 - fan(s), 117, 18, 137–142
 - axial propeller, 137
 - centrifugal, 137
 - backward-inclined blades, 137
 - forward-curved, blades, 137
 - performance, 137–138

- fan/system relationship, 138–142
 - fan laws, 141–142
 - fill, 116, 129–132
 - film, 130–132
 - splash, 130–131
 - spray, 129–130
 - fire protection, 223–224
 - sprinkler systems, 223
 - water flow rates, 223
 - heat transfer, 120–122
 - Merkel equation, 120
 - tower characteristic, 120, 121
 - maintenance and operation, 225–237
 - commissioning, 225–227
 - heat exchanger, 230–231
 - mechanical maintenance, 228–230
 - venturi tower, 230
 - mechanical drives, 144–146
 - belt, 144–145
 - gear, 145–146
 - noise and vibration, 216–221
 - community noise, 216
 - manufacturers' sound data, 217–218
 - property line sound limits, 216
 - World Health Organization (WHO) sound limits, 216–217, 219
 - nomenclature, 118–119
 - performance factors, 122–125, 152–155, 233–234
 - enhancing, 233–234
 - troubleshooting, 231–233
 - performance testing, 247–253
 - in-situ testing, 247–248
 - preparation for testing, 251–253
 - testing criteria and methods, 248–251
 - piping
 - condenser water (*see* Condenser water, piping)
 - drain and overflow, 170
 - make-up water, 168–170
 - blowdown loss, 169
 - drift loss, 169
 - evaporation loss, 169
 - multiple towers, 170–171
 - common basin, 172
 - equalizer line, 172–173
 - placement and installation, 86, 158–166
 - adjacency, 159–160
 - dunnage, 164
 - elevation, 158, 160
 - evase discharge, 160–162
 - grillage, 160, 164
 - prevailing wind, 162–164
 - recirculation, 158
 - roof, 165
 - screening, 160, 164
 - plume control, 221–222
 - purchasing, 238–246
 - defining requirements, 238–239
 - economics, 240–245
 - annual recurring costs, 242–245
 - first costs, 242
 - nonrecurring repair and replacement costs, 245
 - total owning and operating cost, 245
 - specifications, 245, App. B
 - range (*see* Condenser water)
 - selection and specification
 - structural frame, 132–135
 - concrete, 134–135
 - fiberglass, 135
 - steel, 133–134
 - galvanized, 133–134
 - stainless, 134
 - wood, 132
 - sump, 136, 236
 - water distribution (*see* wet deck)
 - water treatment (*see* Condenser water)
 - wet deck, 117, 135–136
 - winter operation, 234–237
 - freeze protection, 212–213
 - shutdown, 235–237
- District heating systems, 44
- Draft (*see* Cooling towers)
- Electric rates,
 - consumption, 42
 - demand, 42
 - demand charge, 42

- load factor, 43
- off-peak, 42, 43
- on-peak, 42, 43
- ratchet clauses, 43
- real time pricing, 76
- Expansion valve, 2
- Evaporative condensers and coolers, 176–178
- Evaporator, 2
- Fuel oil, 43
- Heat
 - gain, 7
 - latent, 7, 8
 - of compression, 8
 - recovery (*see* Heat recovery)
 - sensible, 7, 8
 - total, 8
- Motors
 - electrical service, 88–92
 - energy-efficient, 143
 - hermetic, 91
 - open, 91
 - cooling, 91–92
 - open drip proof, 142
 - standard, 143
 - starting, 89–91
 - across-the-line, 89
 - current, 89, 90, 91
 - full voltage, 89
 - maximum allowable starts, 143
 - part-winding, 90
 - solid-state, 91–92
 - speed, 58, 60, 144
 - wye-delta, 90–91
 - totally enclosed air over (TEAO), 142–143
 - totally enclosed fan cooled (TEFC), 142–143
 - two-speed, 143–144
 - dual winding, 144
 - “pony” motor, 144
 - single winding, 144
- National Fire Protection Association (NFPA)
 - Standard 13, 223
 - Standard 214, 132
- Pumps
 - base-mounted, 57
 - cavitation, 175
 - net positive suction head (NPSH), 175–176
 - centrifugal, 54
 - double suction, 56
 - horizontal split case, 56
 - impeller, 54
 - line-mounted, 57
 - vertical split case, 57
 - head, 57–58, 173–176
 - friction head, 57–58
 - residual head, 174
 - static head, 173–174
 - horsepower, 58
 - lift, 173–174
- Purge, 15, 20
 - noncondensables, 15
 - pump, 20
 - units, 15
- R-11 (*see* Refrigerants, chlorofluorocarbons)
- R-12 (*see* Refrigerants, chlorofluorocarbons)
- R-22 (*see* Refrigerants, hydrochlorofluorocarbons)
- R-123 (*see* Refrigerants, hydrochlorofluorocarbons)
- R-134A (*see* Refrigerants, hydrofluorocarbons)
- R-407C (*see* Refrigerants, hydrofluorocarbons)
- R-410A (*see* Refrigerants, hydrofluorocarbons)
- R-503 (*see* Refrigerants, chlorofluorocarbons)
- R-717 (*see* Refrigerants, ammonia)
- R-718 (*see* Refrigerants, water)
- References and resources, App. C

- Refrigerants, 4–6
 - ammonia, 6
 - chlorofluorocarbons (CFCs), 4
 - R-11, 4
 - R-12, 4
 - R-503, 4
 - flammability, 6
 - hydrochlorofluorocarbons (HCFCs), 5
 - phaseout, 5–6
 - R-22, 5, 6
 - avoiding use of, 6
 - R-123, 5, 6
 - avoiding use of, 6
 - hydrofluorocarbons (HFCs), 5
 - R-134A, 5, 6
 - R-407C, 5, 6
 - R-410A, 5, 6
 - management program, 105–108
 - certification
 - equipment, 106
 - technician, 106
 - Clean Air Act of 1990, 105
 - disposal, 107
 - EPA *Action Guide*, 108
 - venting and leaks, 106
 - primary, 4
 - safety groups, 6
 - secondary, 4
 - toxicity, 6
 - water, 4
- Refrigeration, 1
 - absorption cycle, 20
 - compressor, 2
 - centrifugal, 12–14
 - capacity control, 12, 64–65
 - COP, 15
 - impeller, 13–14
 - vanes, 12, 64
 - electric-drive, 15–17
 - COP, 15
 - part load performance, 16
 - engine-drive, 17–18
 - COP, 17
 - lean burn technology, 18
 - life, 18
 - maintenance cost, 18
 - natural gas, 17, 18
 - reciprocating, 11–12
 - capacity control, 11, 63–64
 - COP, 15
 - rotary, 12–15
 - COP, 15
 - part load performance, 16
 - screw, 12, 64
 - capacity control, 12, 64
 - condenser, 2
 - air-cooled, 11, 19, 45
 - water-cooled, 11
 - fouling factor, 37, App. B
 - direct expansion (DX), 6
 - evaporator, 2, 37
 - fouling factor, 37, App. B
 - lift, 13
 - machinery room, 46
 - negative pressure systems, 5
 - purge (*see* Purge)
 - positive pressure systems, 5, 14–15
 - vapor compression cycle, 1–4
 - compression, 1
 - condensation, 1
 - evaporation, 1
 - expansion, 1
 - pressure-enthalpy chart, 2–4
- Sensible heat ratio (SHR), 9
- Thermal storage, 71–85
 - application, 84–85
 - chilled water storage, 76
 - tanks, 78
 - stratification, 78
 - comparison, 76, 77
 - economics, 71–76
 - charging, 72
 - discharging, 72
 - operating strategies, 72–76
 - storage efficiency, 72
 - eutectic salts storage, 83–84
 - ice storage, 79–83
 - external melt ice-on-coil, 80

- ice capsules, 83
- ice shedders, 80
- ice slurry, 83
- internal melt ice-on-coil, 80
 - phase change, 79
- Underwriters Laboratories (UL)
 - Standard 465, 37
- Vapor compression cycle (*see* Refrigeration)
- Variable frequency drives, 58–61
 - bypass switching, 61
 - efficiency, 61
 - inverter, 60
 - main power disconnect, 61
 - motor heat, 144
 - pulse width modulation (PWM), 60
 - rectifier, 60
- Variable speed drives (*see* Variable frequency drives)
- Waste heat, 44
- Water (*see* Refrigerants)
- Water chiller, 10
 - absorption, 19–23
 - absorber, 20
 - application, 22–23
 - COP, 20, 22
 - concentrator, 20
 - direct-fired, 20, 22
 - indirect-fired, 20, 22
 - maintenance, 102–103
 - purge pump, 20
 - single-stage, 20–21
 - two-stage, 20
 - air-cooled, 19
 - condensing medium, 19
 - dual compressor, 17
 - efficiency and energy cost, 18
 - electric-drive (*see* Refrigeration, compressor)
 - energy cost, 18
 - engine-drive (*see* Refrigeration, compressor)
 - heat recovery, 92–94
 - condenser heat, 93–94
 - internal source heat pump, 92–93
- maintenance and operation, 95–108
 - commissioning, 95–97
 - maintenance
 - absorption chiller, 102–103
 - checklists, 96–97, 100–103
 - continual monitoring, 98–99
 - engine-driven, 102
 - extended maintenance, 101
 - periodic checks, 100
 - program, 98
 - regularly scheduled maintenance, 100–101
 - operation goals, 95
- noise and vibration, 46, 86–88
 - A-Scale sound level, 87–88
 - community noise, 45
 - noise, 86
 - sound, 86
 - sound pressure level, 87
- placement and installation, 45–47
 - air-cooled, 45
 - chiller room (*see* Refrigeration, machinery room)
 - recirculation, 45
 - screening, 45
 - service access, 45–46
 - water-cooled, 46–47
- purchasing, 109–114, App. B
 - defining requirements, 109–110
 - economics, 111–114
 - annual recurring costs, 113
 - first costs, 112
 - nonrecurring repair and replacement costs, 114
 - total owning and operating cost, 111, 114
 - specifications, 114, App. B
- ratings, 37–39
 - integrated part load value (IPLV), 37–38
 - nonstandard part load value (NPLV), 38
- selection, 37–41

- capacity
 - asymmetrical, 40–41
 - load vs. capacity, 39
 - symmetrical, 40
- compressor type, 39–40
- condensing medium, 40
- mixed energy sources, 41–44
- troubleshooting, 103–105
- vapor compression, 10–19
- water-cooled, 19
- Water treatment
 - chilled water, 52–54
 - condenser water
 - biological fouling, 201–204
 - biocides, 201–201
 - biofilm, 201
 - Legionella*, 202–203
 - microbiologically induced corrosion (MIC), 204
 - chemical storage and safety, 209–211
 - safety showers and eye wash stations, 210
 - spill control, 209–210
 - control systems, 204–206
 - corrosion
 - galvanic, 197
 - general, 197
 - inhibitors, 198–199
 - localized, 197–198
 - deposition, 191–197
 - alkalinity, 193
 - blowdown, 192
 - dissolved solids (total), 191–192, 193
 - hardness, 191
 - cycles of concentration, 195–196
 - Langelier Saturation Index (LSI), 193–194
 - pH, 193
 - phosphonates, 197
 - Ryzner Stability Index (RSI), 194
 - temperature, 192
- magnets, 208
- ozone, 207
- program
 - contracting, 245–246
 - management, 227–228
- sidestream filtration, 206
- UV, 208
- white rust, 199–201
- wood towers, 208–209
- Waterside economizer cycle, 213–215
 - application, 213, 215
 - heat exchanger
 - plate and frame, 215
 - shell and tube, 214–215
- Wet bulb temperature (ambient), 119, 124, 154, App. A
- White rust (*see* Water treatment, condenser water)

